



US00D621086S

(12) **United States Design Patent**
Purcell

(10) **Patent No.:** **US D621,086 S**
(45) **Date of Patent:** **** Aug. 3, 2010**

(54) **LUMINAIRE**

(75) Inventor: **Christine Purcell**, Pasadena, CA (US)

(73) Assignee: **Genlyte Thomas Group LLC** DE (US)

(**) Term: **14 Years**

(21) Appl. No.: **29/340,817**

(22) Filed: **Jul. 27, 2009**

Related U.S. Application Data

(63) Continuation of application No. 29/317,066, filed on Apr. 22, 2008, now Pat. No. Des. 597,242.

(51) **LOC (9) Cl.** **26-03**

(52) **U.S. Cl.** **D26/76**

(58) **Field of Classification Search** D26/24-28,
D26/37, 63, 67-68, 72, 74-78, 80, 85, 88,
D26/89, 104, 108, 118, 120-122; 362/17,
362/132, 145, 147-150, 155-157, 217-225,
362/228, 260, 262-264, 267, 294, 310, 345,
362/362, 364, 249, 365, 368, 431, 432, 440;
D10/111, 114

See application file for complete search history.

(56) **References Cited**

U.S. PATENT DOCUMENTS

D349,173 S * 7/1994 Fellingner D26/85
D364,478 S * 11/1995 Pesau D26/76
D455,518 S * 4/2002 Littman D26/87
D459,014 S * 6/2002 Chen D26/85
D460,835 S * 7/2002 Chen D26/85

D463,058 S * 9/2002 Nourishad D26/76
D505,221 S * 5/2005 Hetfield D26/76
D509,616 S * 9/2005 Hetfield D26/76
D547,898 S * 7/2007 Tseng D26/78
D569,026 S * 5/2008 Silver D26/76
D597,242 S * 7/2009 Purcell D26/76
D604,001 S * 11/2009 Thun D26/76
D610,736 S * 2/2010 Klaus D26/76

* cited by examiner

Primary Examiner—Philip S Hyder
Assistant Examiner—Susan E Krakower

(57) **CLAIM**

The ornamental design for a luminaire, as shown and described.

DESCRIPTION

FIG. 1 is front perspective view of the luminaire of the present invention.

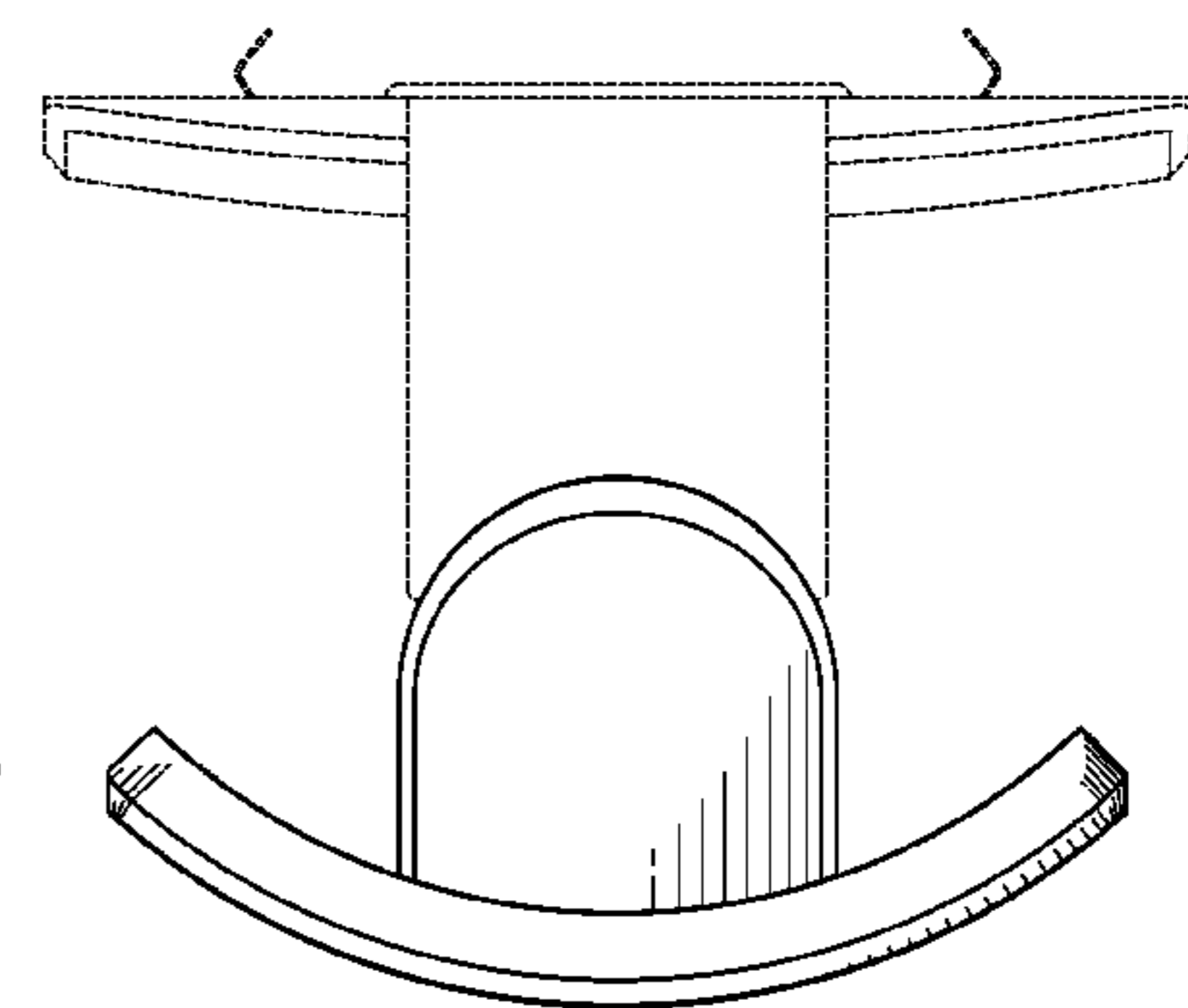
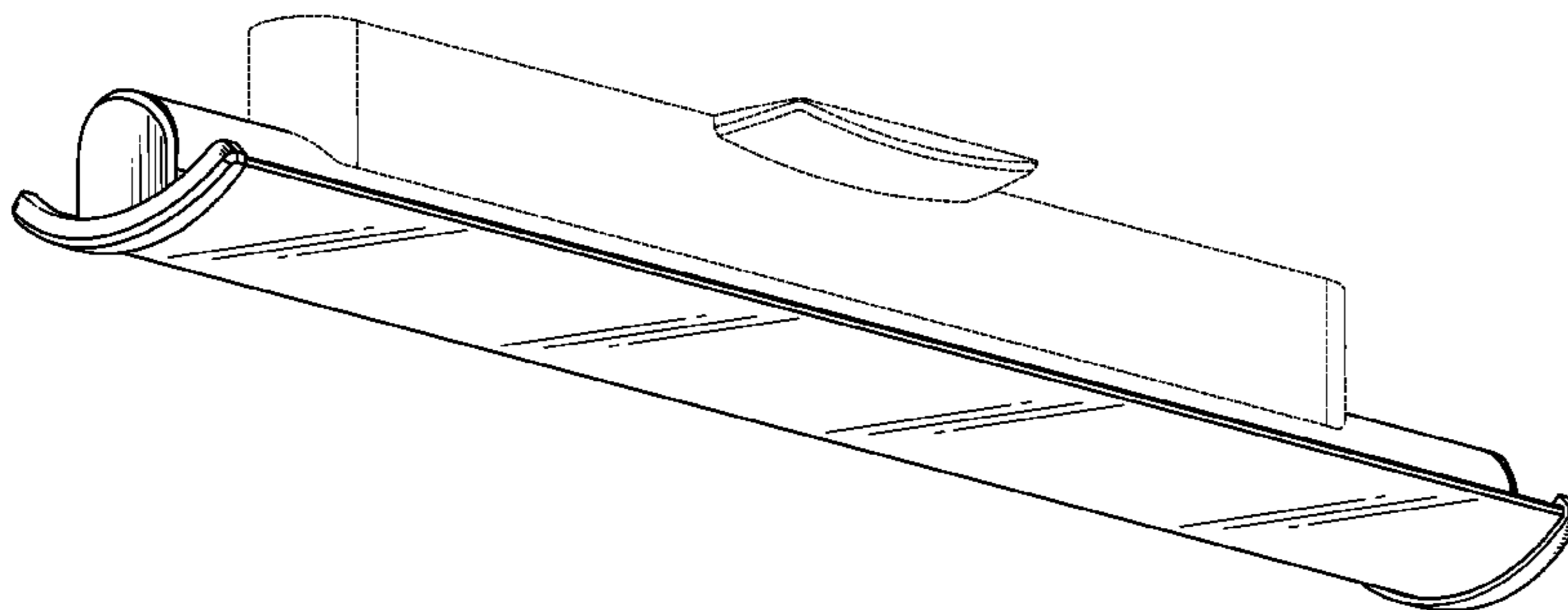
FIG. 2 is a bottom view of the design of the present invention.

FIG. 3 is a front view of the design of the present invention. The rear view is a mirror image of the front view, so the rear view is not depicted; and,

FIG. 4 is an enlarged right side view of the design of the present invention. The left side is a mirror of the right side, so the left side view is not depicted.

The broken lines showing environmental structure are for illustrative purposes only and form no part of the claimed design.

1 Claim, 4 Drawing Sheets



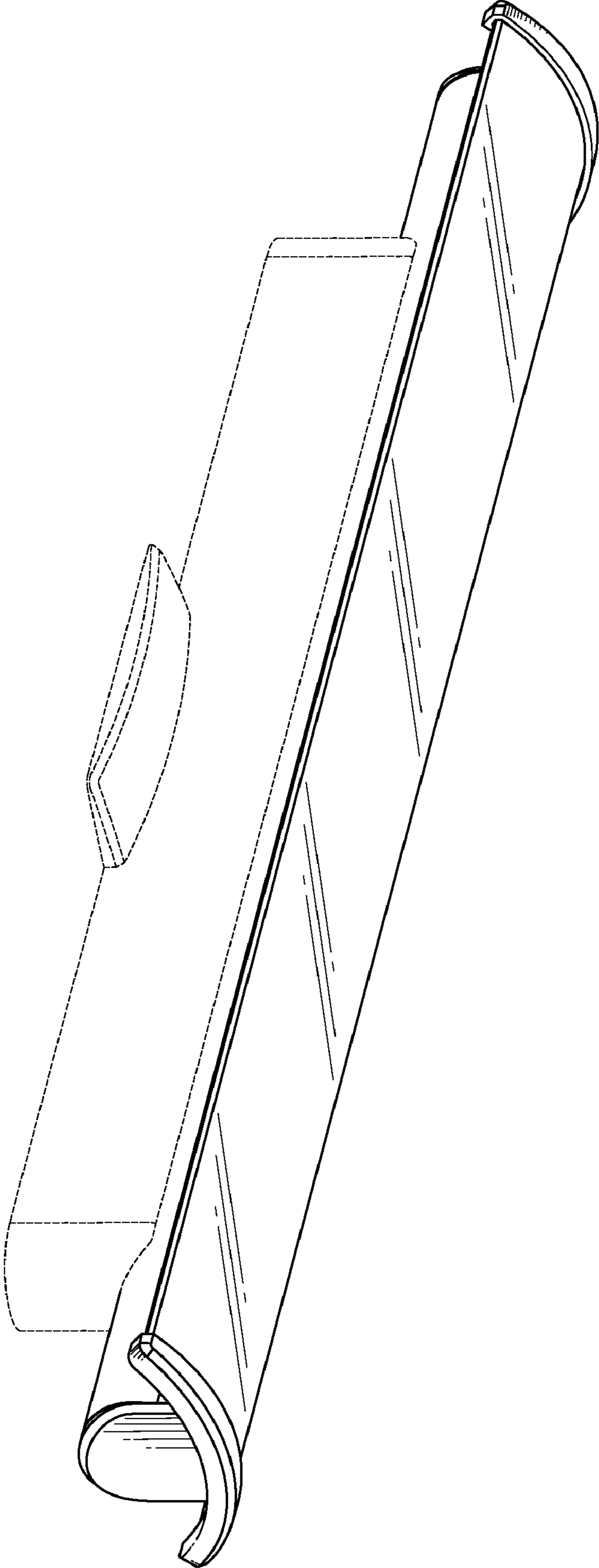


FIG. 1

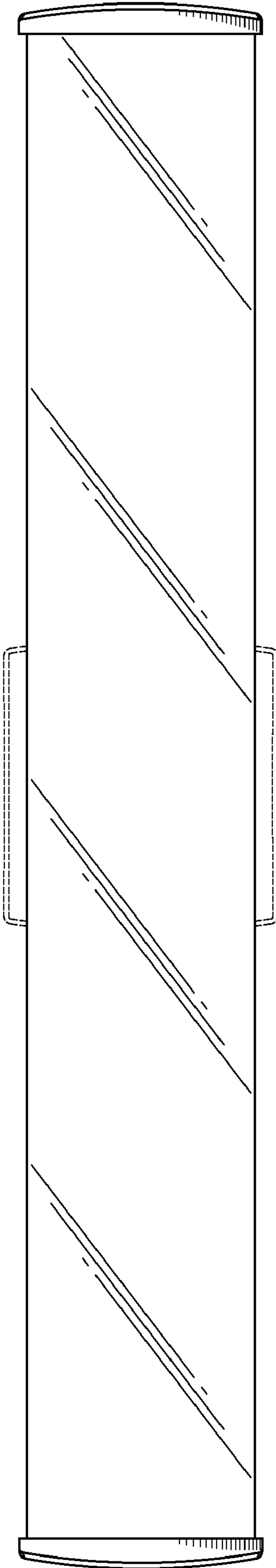


FIG. 2

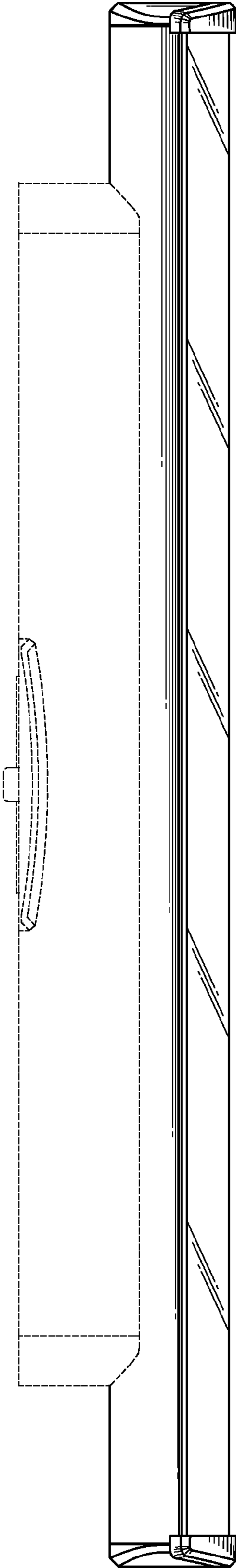


FIG. 3

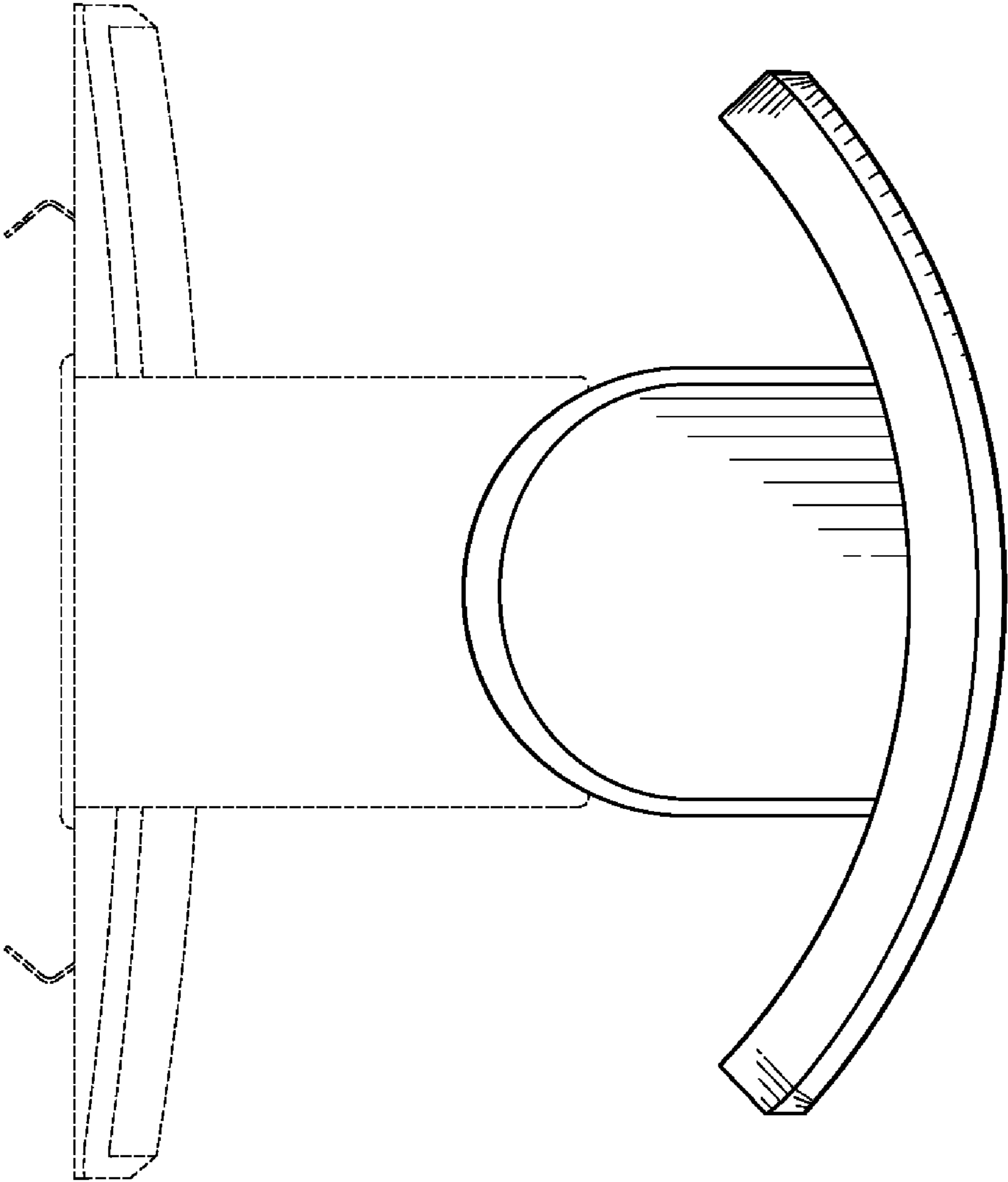


FIG. 4