



US00D621085S

(12) **United States Design Patent**
Kochanski et al.

(10) **Patent No.:** **US D621,085 S**

(45) **Date of Patent:** **** Aug. 3, 2010**

(54) **PORTABLE LIGHT SOURCE**

(75) Inventors: **Michael Kochanski**, Bartlett, IL (US);
Michael P. Mackin, Chicago, IL (US)

(73) Assignee: **Molex Incorporated**, Lisle, IL (US)

(**) Term: **14 Years**

(21) Appl. No.: **29/312,823**

(22) Filed: **Nov. 14, 2008**

(51) **LOC (9) Cl.** **26-03**

(52) **U.S. Cl.** **D26/76; D26/42**

(58) **Field of Classification Search** D26/1-3,
D26/37, 42-44, 49, 67, 72, 74-92, 118, 120;
362/147, 217-225, 132, 243, 260-263, 267,
362/283, 311, 337, 364, 806; 326/311; D23/372,
D23/328, 385

See application file for complete search history.

(56) **References Cited**

U.S. PATENT DOCUMENTS

D122,709 S *	9/1940	Korengold	D26/76
D130,745 S *	12/1941	Mausshardt	D26/78
D135,093 S *	2/1943	Biller	D26/119
D217,100 S *	4/1970	Bidder	D26/42
D230,420 S *	2/1974	Brindley	D26/42
D247,457 S *	3/1978	Zelina	D26/46
D251,631 S *	4/1979	Zelina	D26/49
D451,228 S *	11/2001	Poon	D26/76
D452,578 S *	12/2001	Yuen	D26/26
D491,682 S *	6/2004	Hirano	D26/42

D551,368 S *	9/2007	Shiu	D26/37
D587,835 S *	3/2009	Hanson	D26/85
D588,733 S *	3/2009	O'Hern	D26/42
D589,199 S *	3/2009	Pedersen	D26/85
7,591,572 B1 *	9/2009	Levine	362/427

* cited by examiner

Primary Examiner—Rosemary K Tarcza

Assistant Examiner—Susan E Krakower

(74) *Attorney, Agent, or Firm*—Larry I. Golden

(57) **CLAIM**

The ornamental design for a portable light source, as shown and described.

DESCRIPTION

FIG. 1 is a perspective view of the portable light source according to the present invention;

FIG. 2 is a top plan view of the portable light source;

FIG. 3 is a right side elevational view of the portable light source;

FIG. 4 is a left side elevational view of the portable light source;

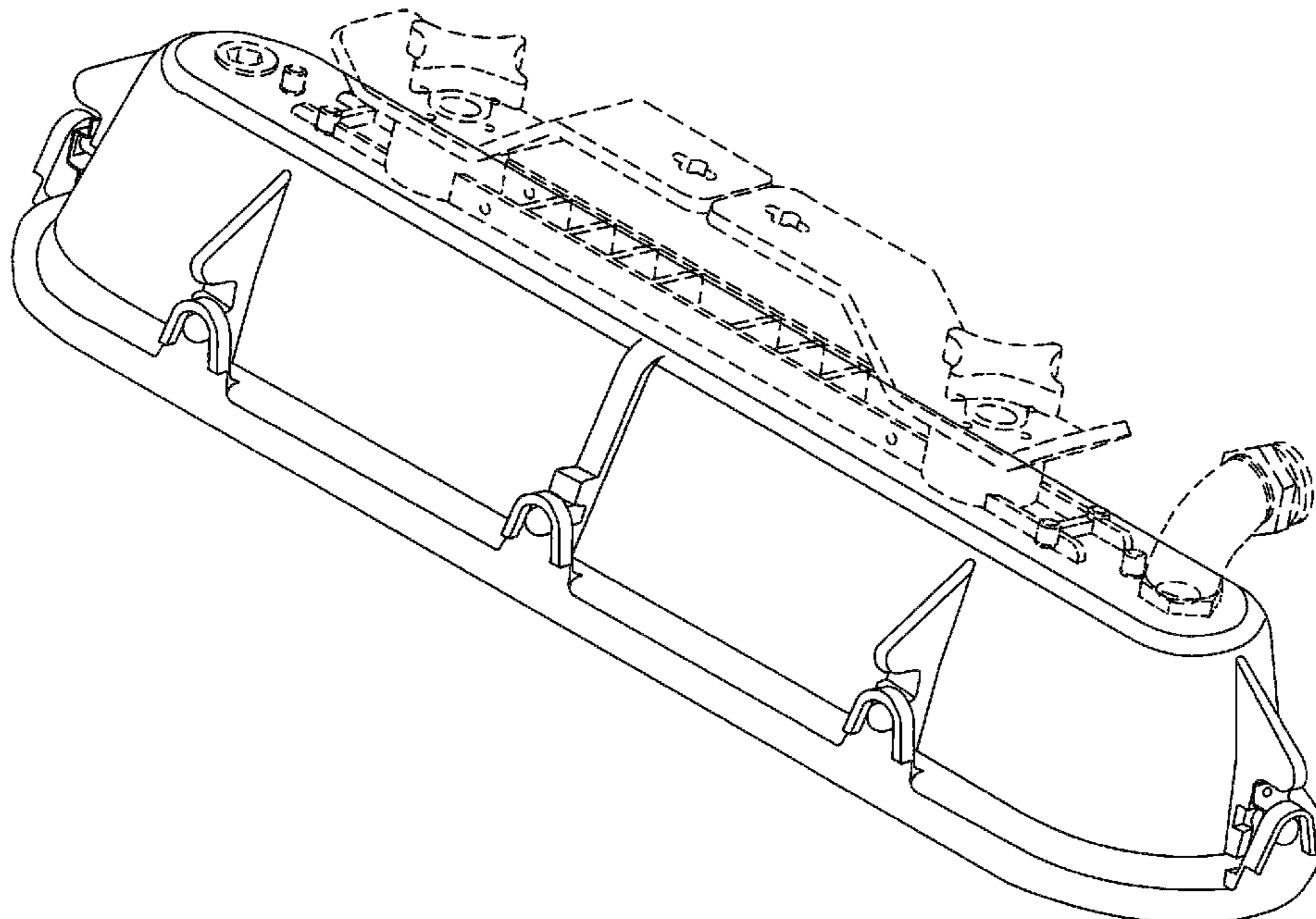
FIG. 5 is a bottom plan view of the portable light source;

FIG. 6 is a right end view of the portable light source; and,

FIG. 7 is a left end view of the portable light source.

The broken lines in the Drawings represent portions of the portable light source and form no part of the claimed design.

1 Claim, 4 Drawing Sheets



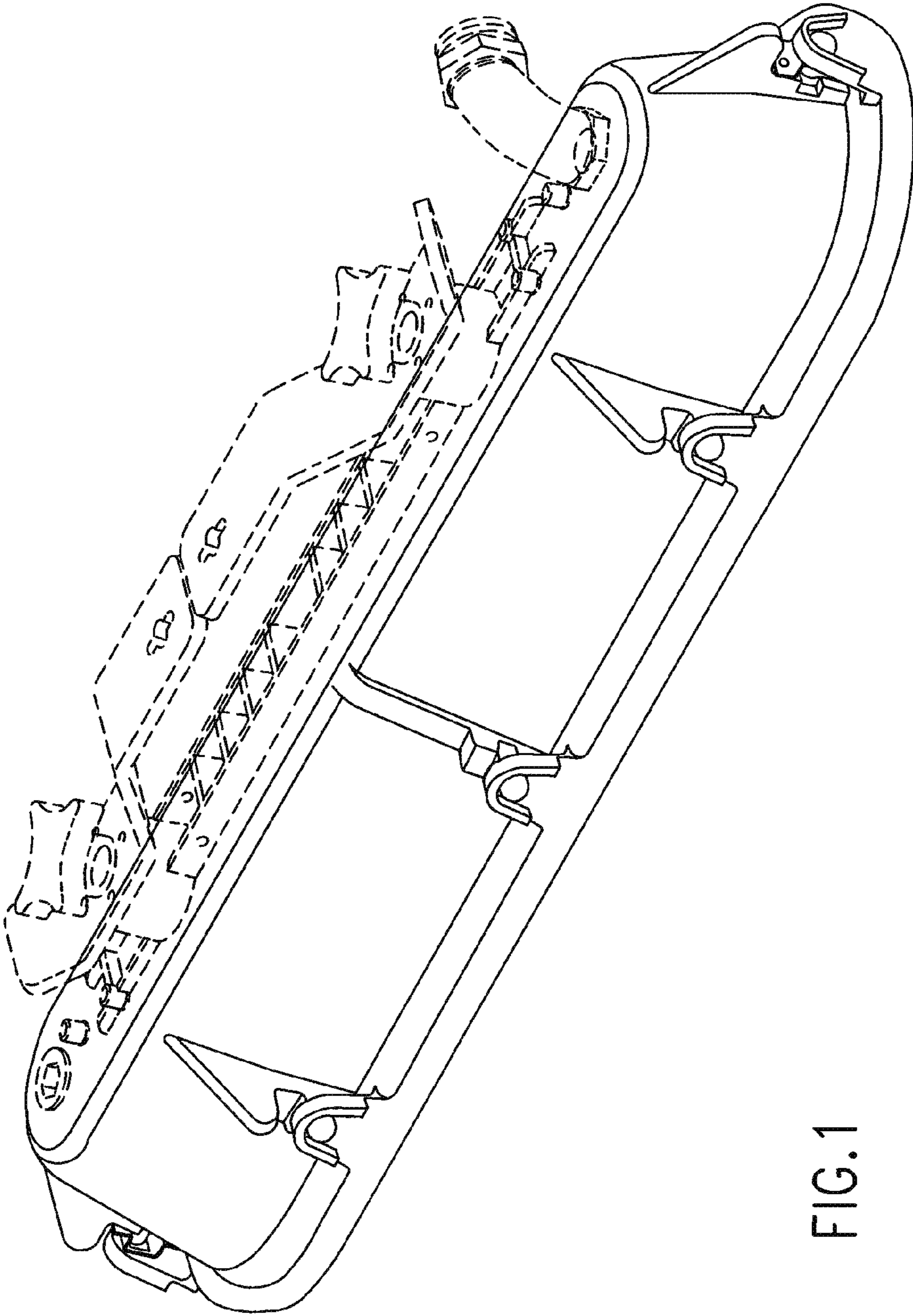


FIG. 1

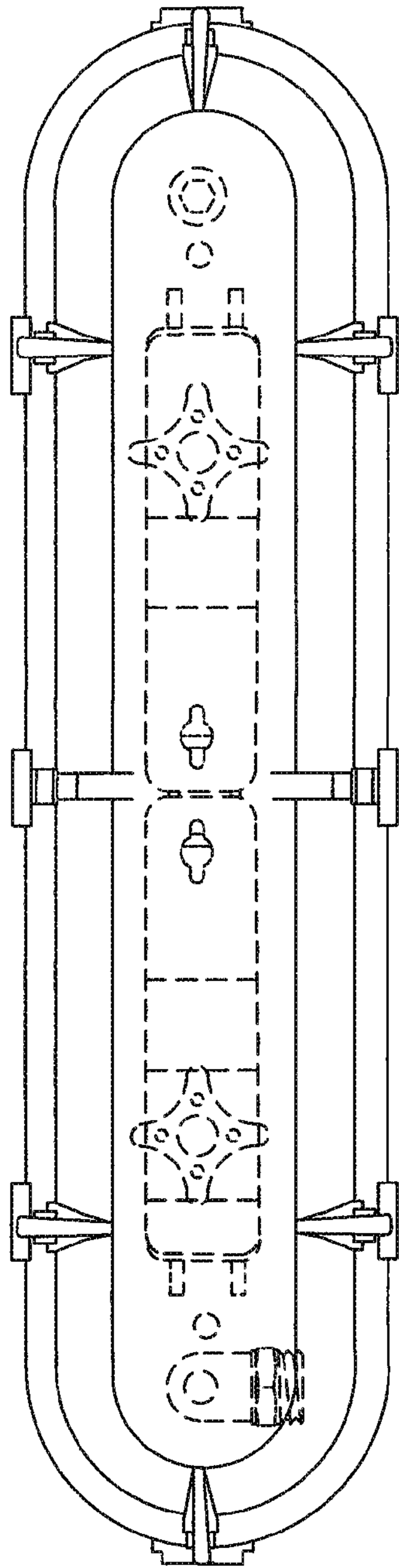


FIG. 2

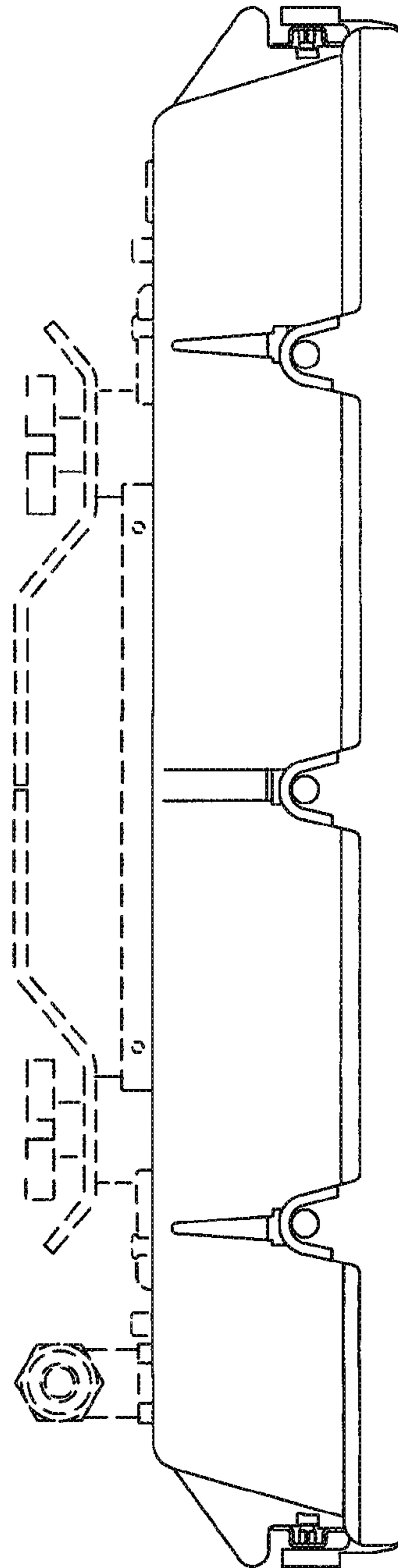


FIG. 3

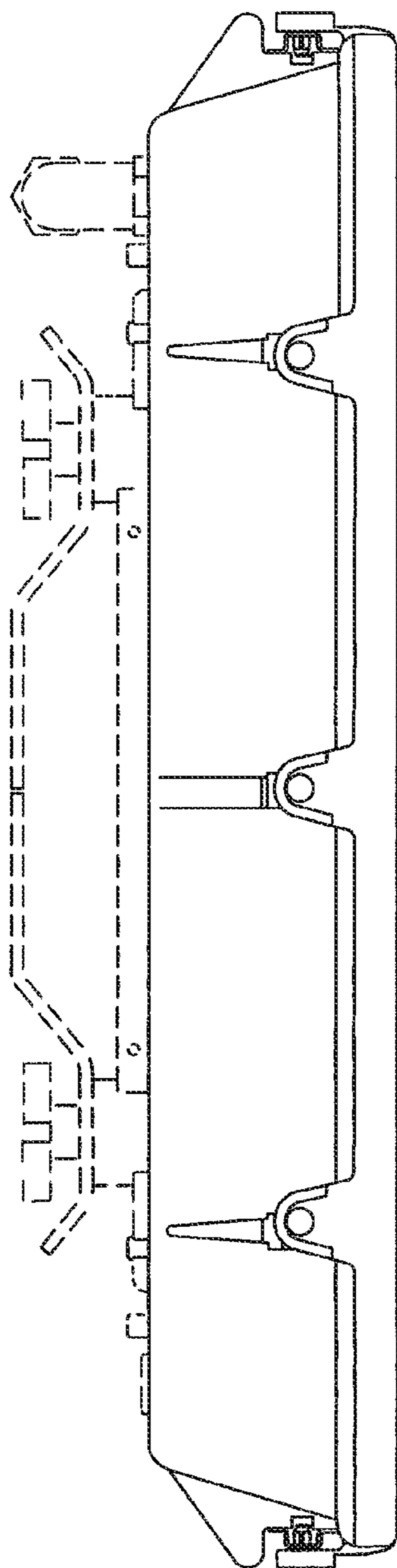


FIG. 4

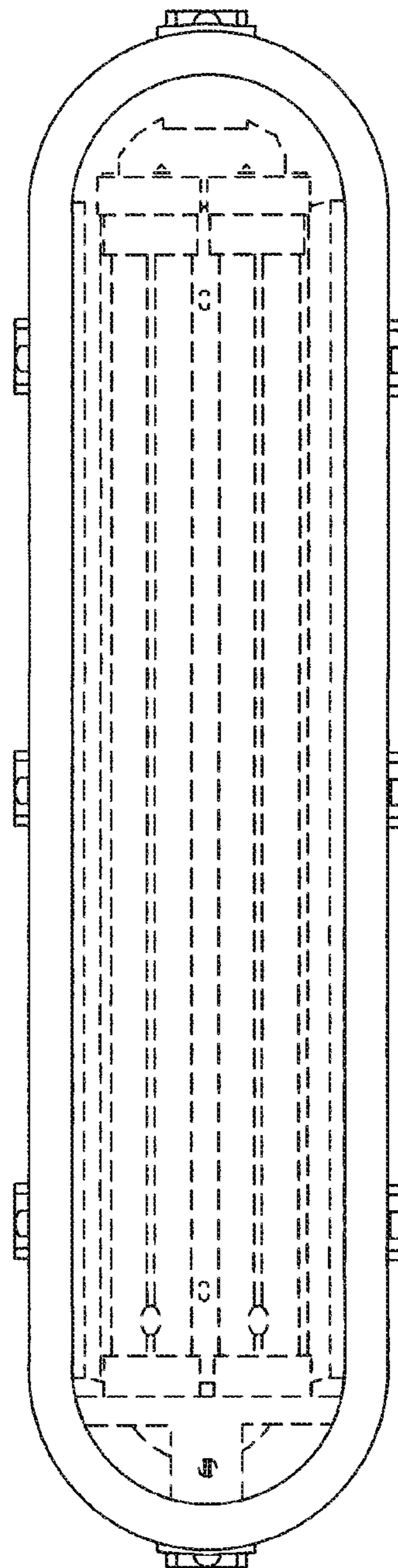


FIG. 5

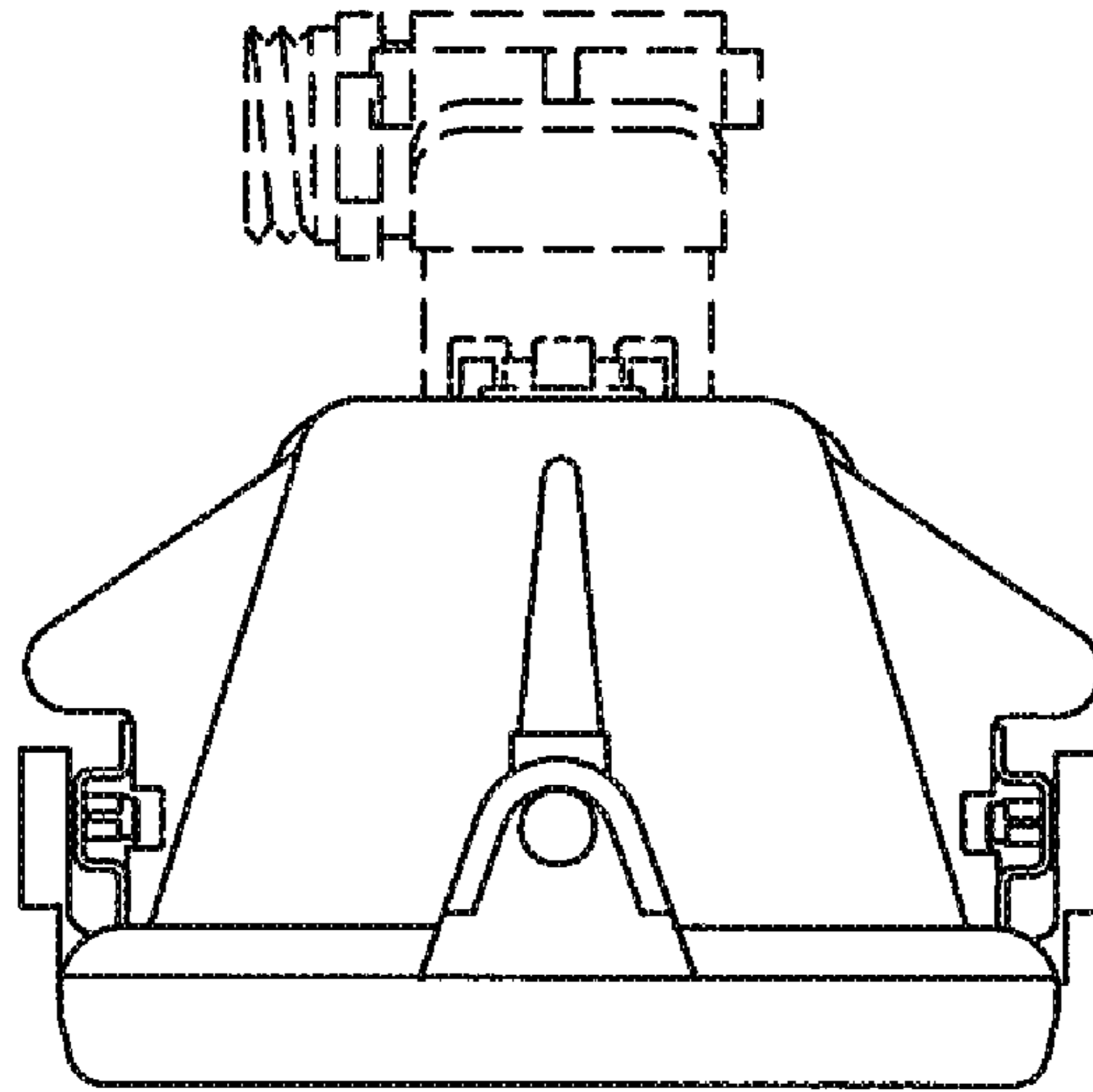


FIG. 6

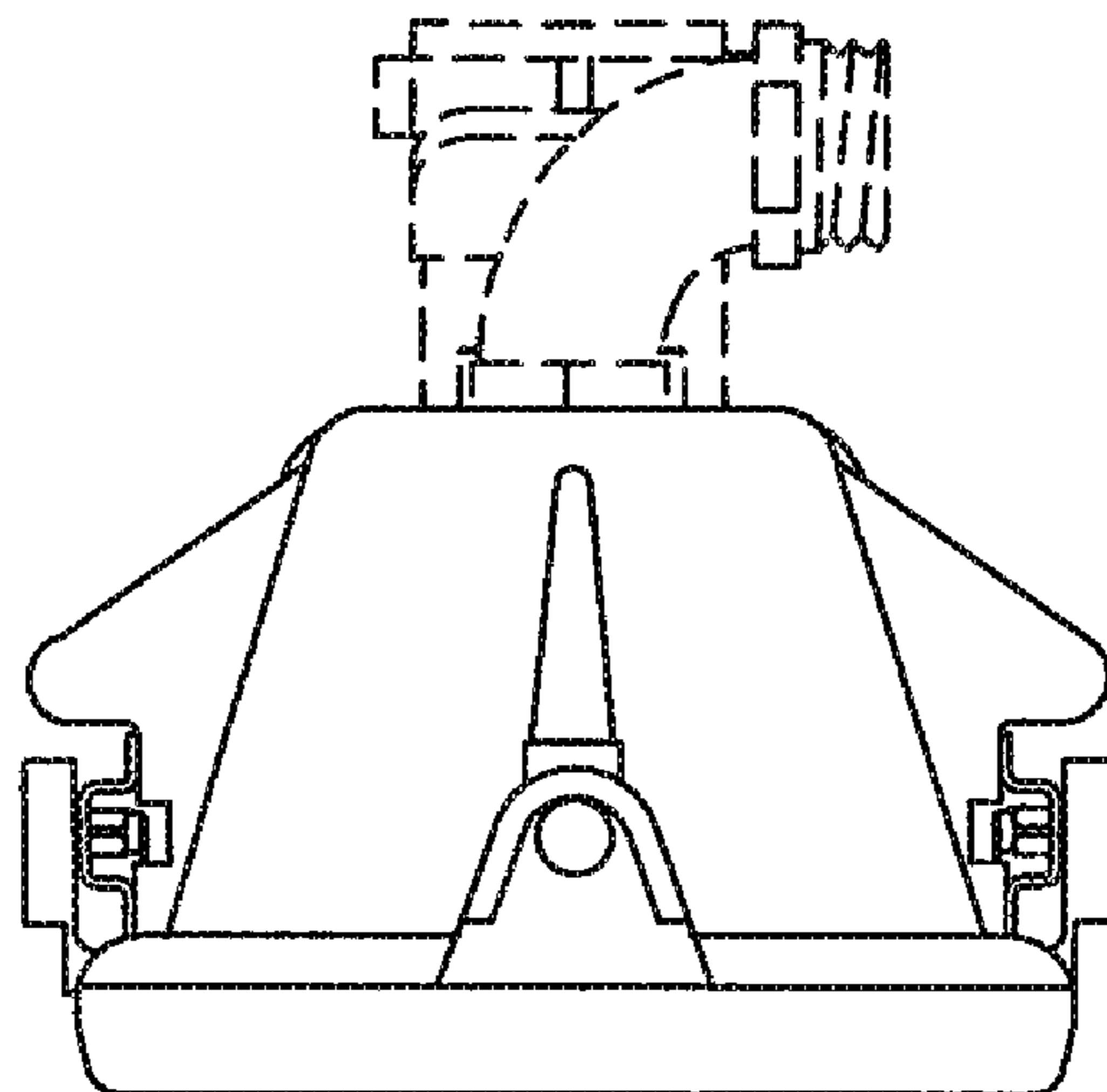


FIG. 7