



US00D621084S

(12) **United States Design Patent**  
**Diez**

(10) **Patent No.:** **US D621,084 S**

(45) **Date of Patent:** **\*\* Aug. 3, 2010**

(54) **OPERATING LIGHT**

7,465,065 B2 \* 12/2008 Marka ..... 362/232  
7,513,645 B2 \* 4/2009 Marka et al. .... 362/804

(75) Inventor: **Ingolf Diez**, Tuttlingen (DE)

\* cited by examiner

(73) Assignee: **S.I.M.E.O.N. Medical GmbH**,  
Tuttlingen (DE)

*Primary Examiner*—Philip S Hyder  
*Assistant Examiner*—Linda G. Brooks

(\*\*) Term: **14 Years**

(74) *Attorney, Agent, or Firm*—Wood, Herron & Evans, LLP

(21) Appl. No.: **29/333,531**

(57) **CLAIM**

(22) Filed: **Mar. 11, 2009**

The ornamental design for an operating light, as shown and described.

(30) **Foreign Application Priority Data**

Sep. 12, 2008 (EM) ..... 001 001 622

**DESCRIPTION**

(51) **LOC (9) Cl.** ..... **26-03**

FIG. 1 is a top view of a first embodiment of my new, original, and ornamental design;

(52) **U.S. Cl.** ..... **D26/63**

FIG. 2 is a bottom view thereof;

(58) **Field of Classification Search** ..... D26/72–92,  
D26/61, 63–66; 362/800, 804, 806, 555,  
362/612, 613, 147, 240, 227, 249.01, 249.02,  
362/249.14, 249.16, 369

FIG. 3 is a right side view thereof;

FIG. 4 is a left side view thereof;

See application file for complete search history.

FIG. 5 is a front view thereof;

FIG. 6 is a rear view thereof;

(56) **References Cited**

FIG. 7 is a top view of a second embodiment of my new, original, and ornamental design;

**U.S. PATENT DOCUMENTS**

FIG. 8 is a bottom view of the embodiment of FIG. 8;

3,927,313 A \* 12/1975 Herold ..... 362/234  
D279,611 S \* 7/1985 Peeler et al. .... D26/65  
D300,950 S \* 5/1989 Richard ..... D26/65  
D315,801 S \* 3/1991 Luger ..... D26/24  
5,128,848 A \* 7/1992 Enders et al. .... 362/268  
D336,146 S \* 6/1993 Yamada et al. .... D26/65  
7,207,694 B1 \* 4/2007 Petrick ..... 362/240  
D580,585 S \* 11/2008 Otero ..... D26/88

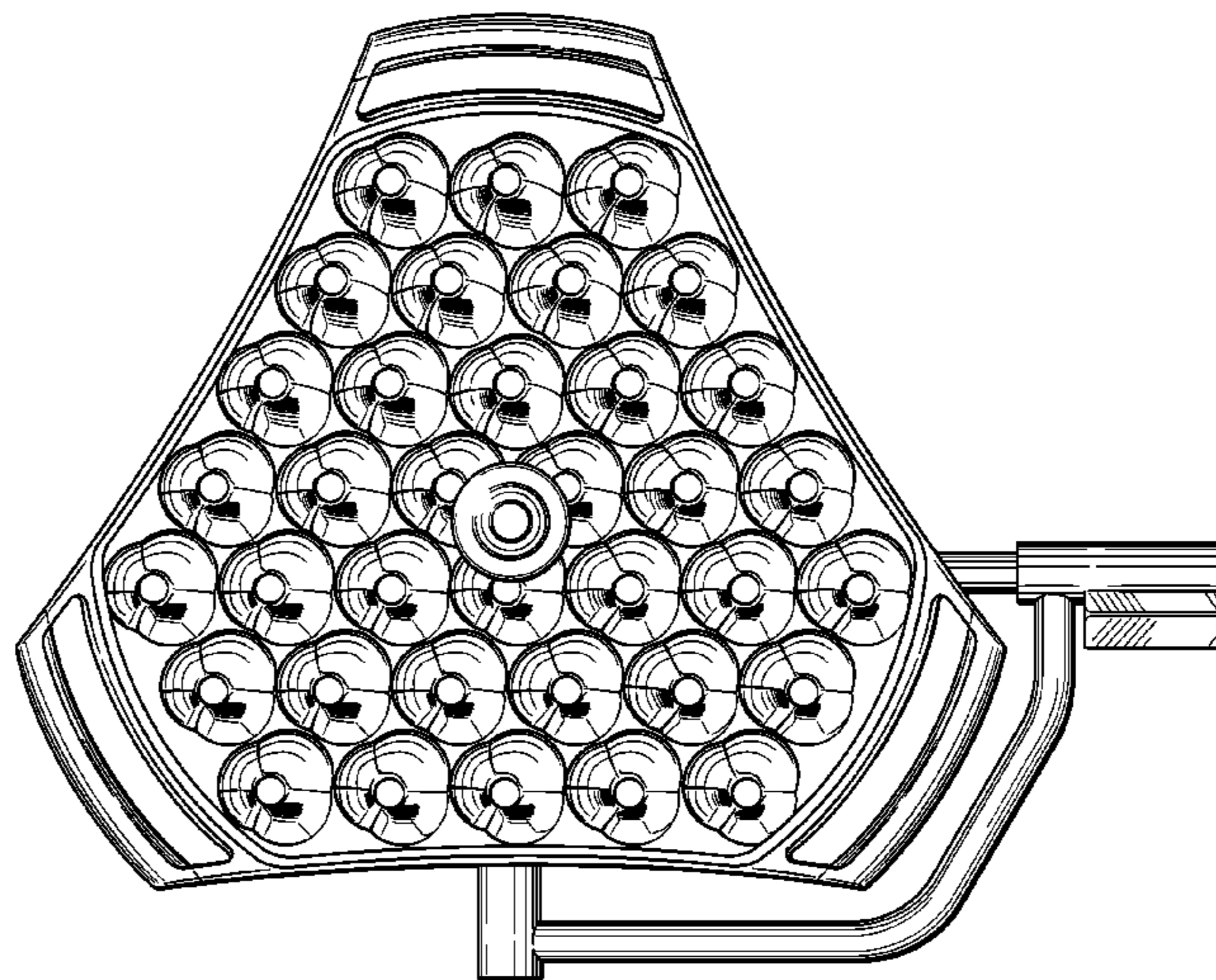
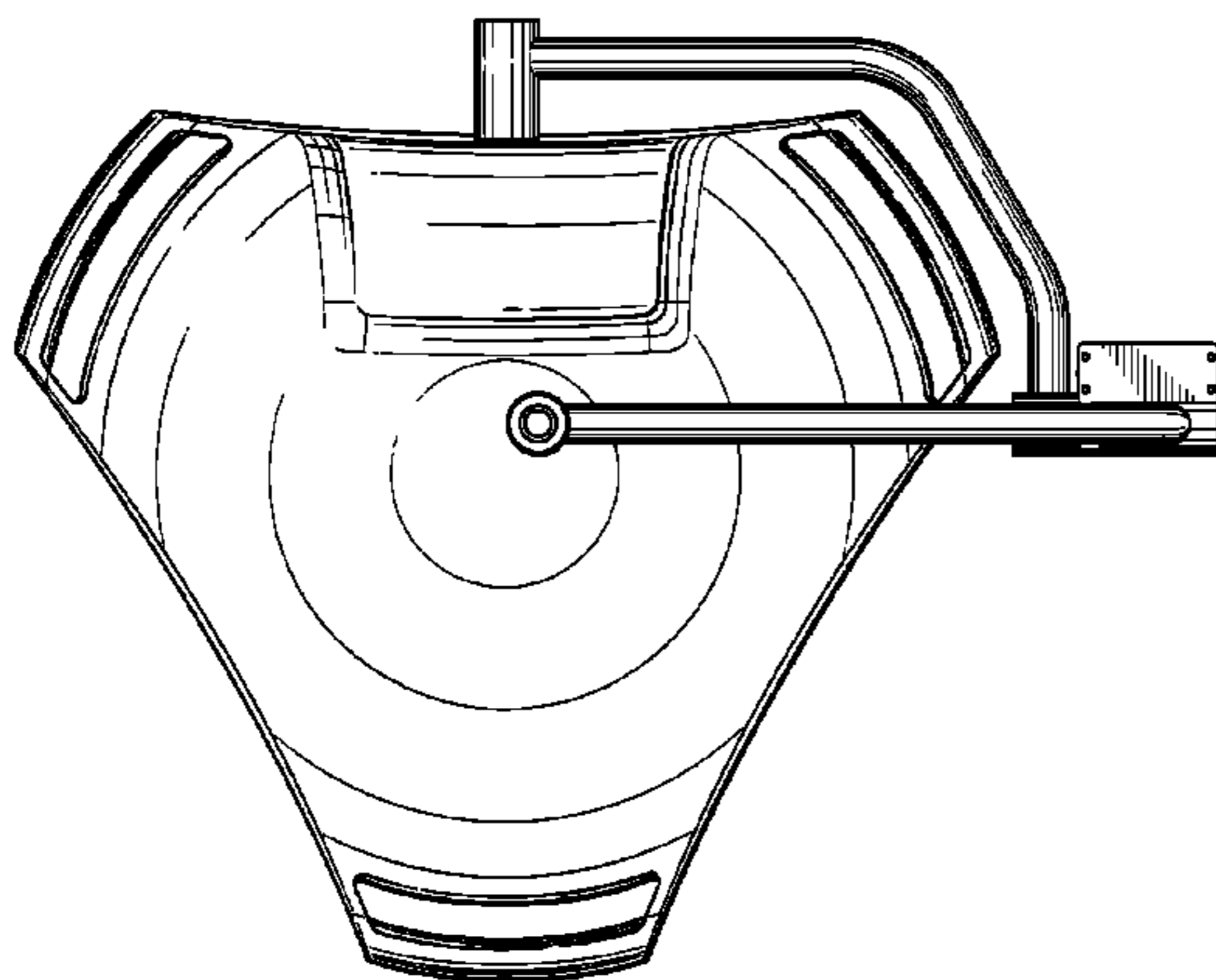
FIG. 9 is a right side view of the embodiment of FIG. 8;

FIG. 10 is a left side view of the embodiment of FIG. 8;

FIG. 11 is a front view of the embodiment of FIG. 8; and,

FIG. 12 is a rear view of the embodiment of FIG. 8.

**1 Claim, 12 Drawing Sheets**



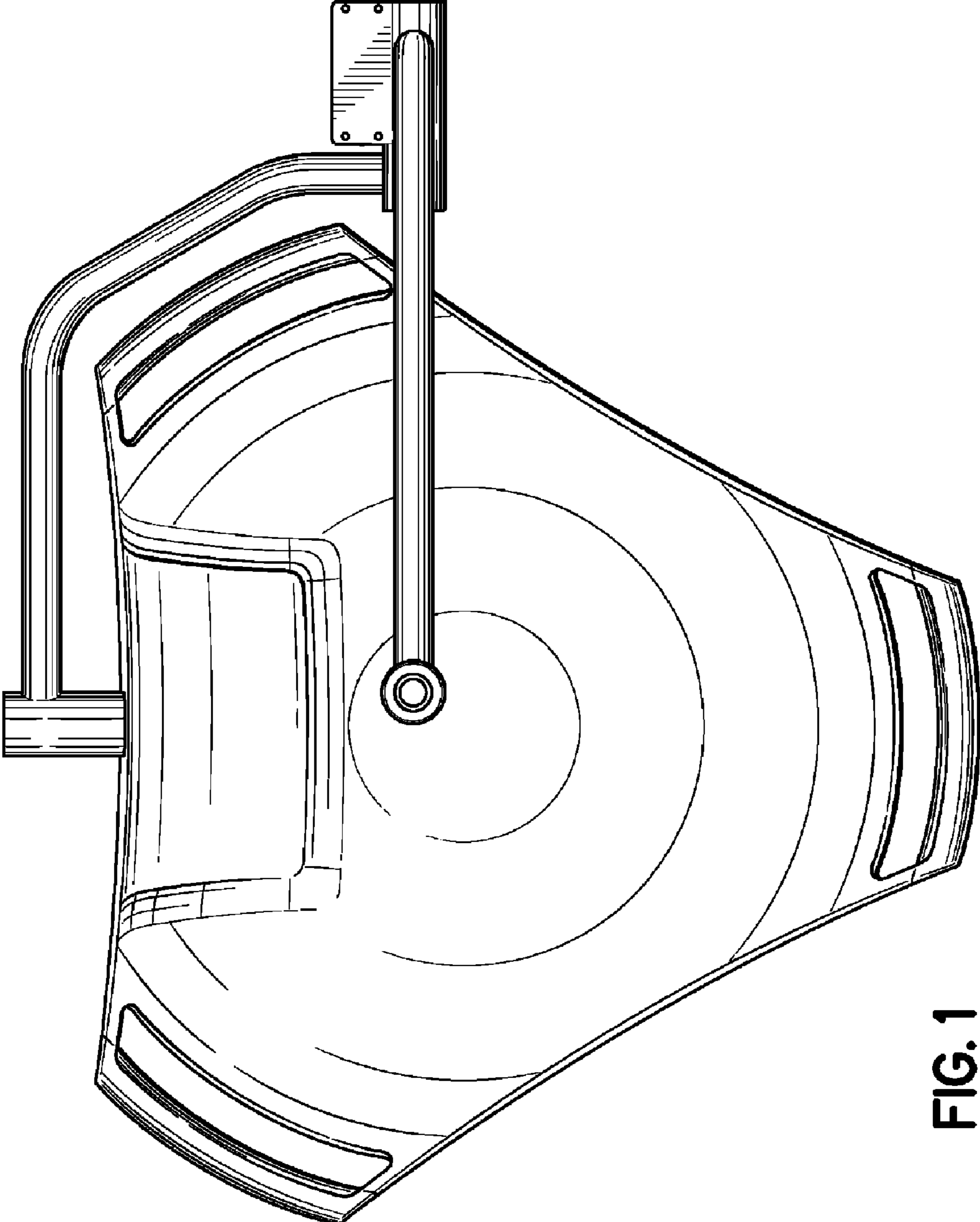


FIG. 1



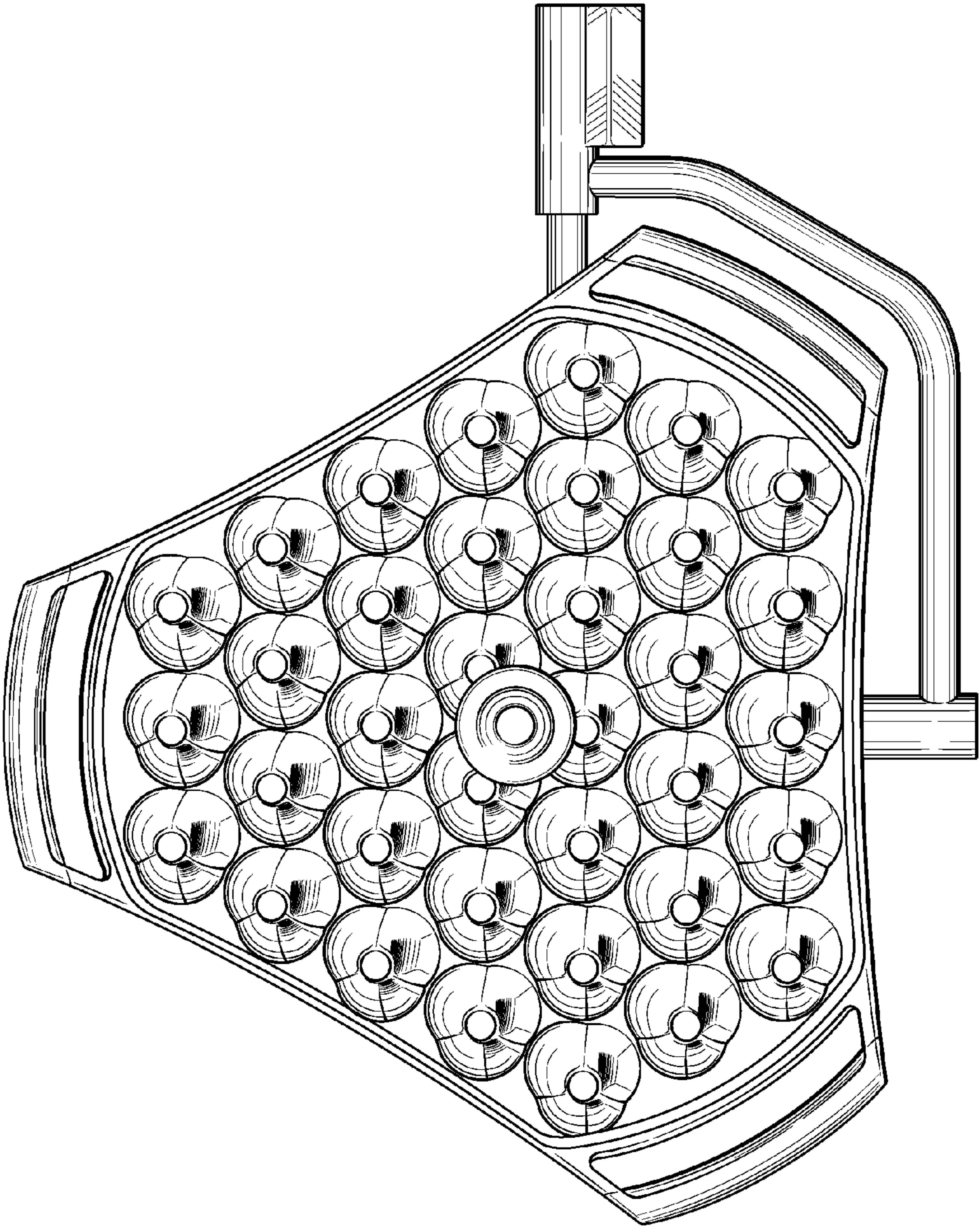


FIG. 2

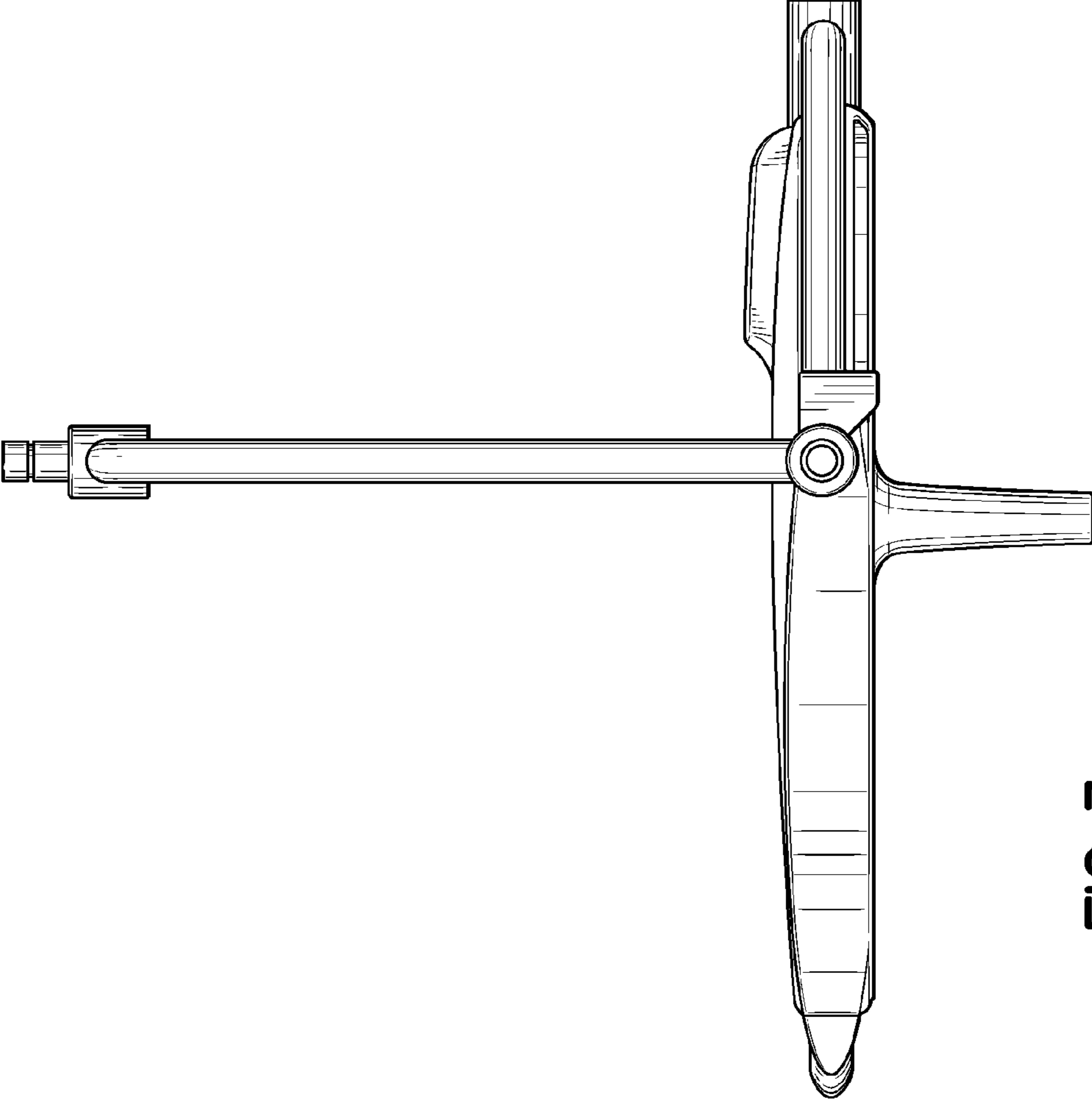


FIG. 3

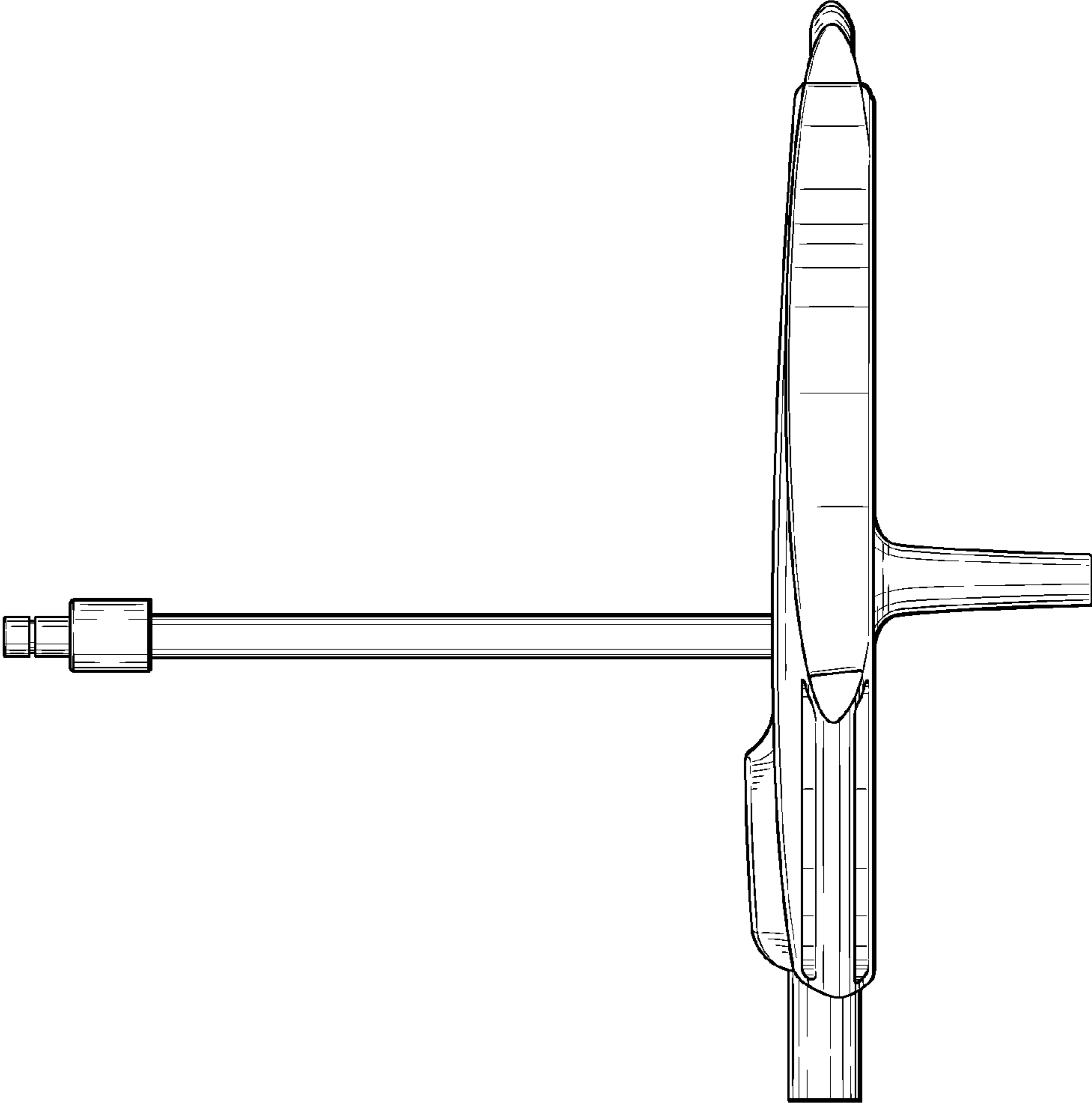


FIG. 4

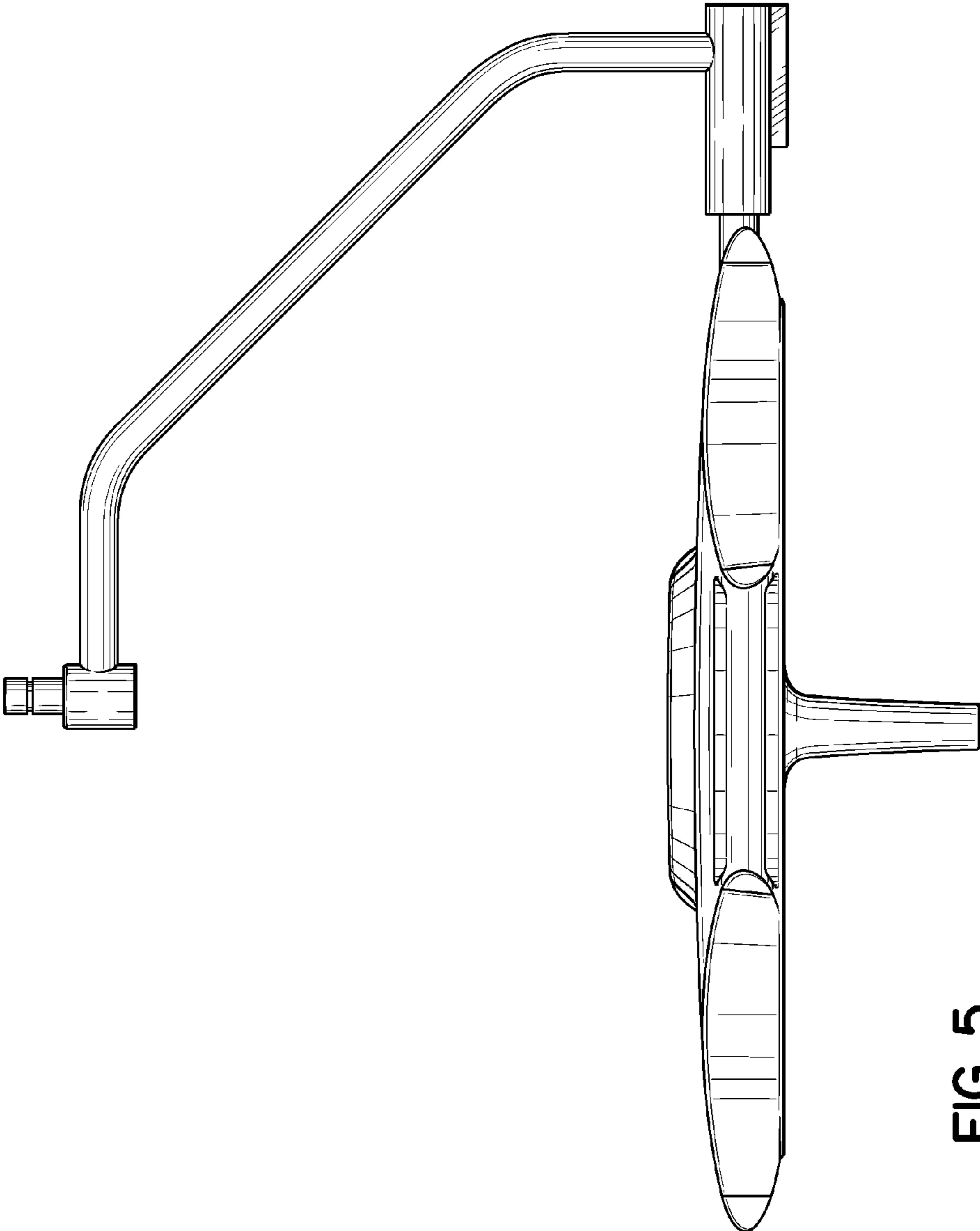


FIG. 5

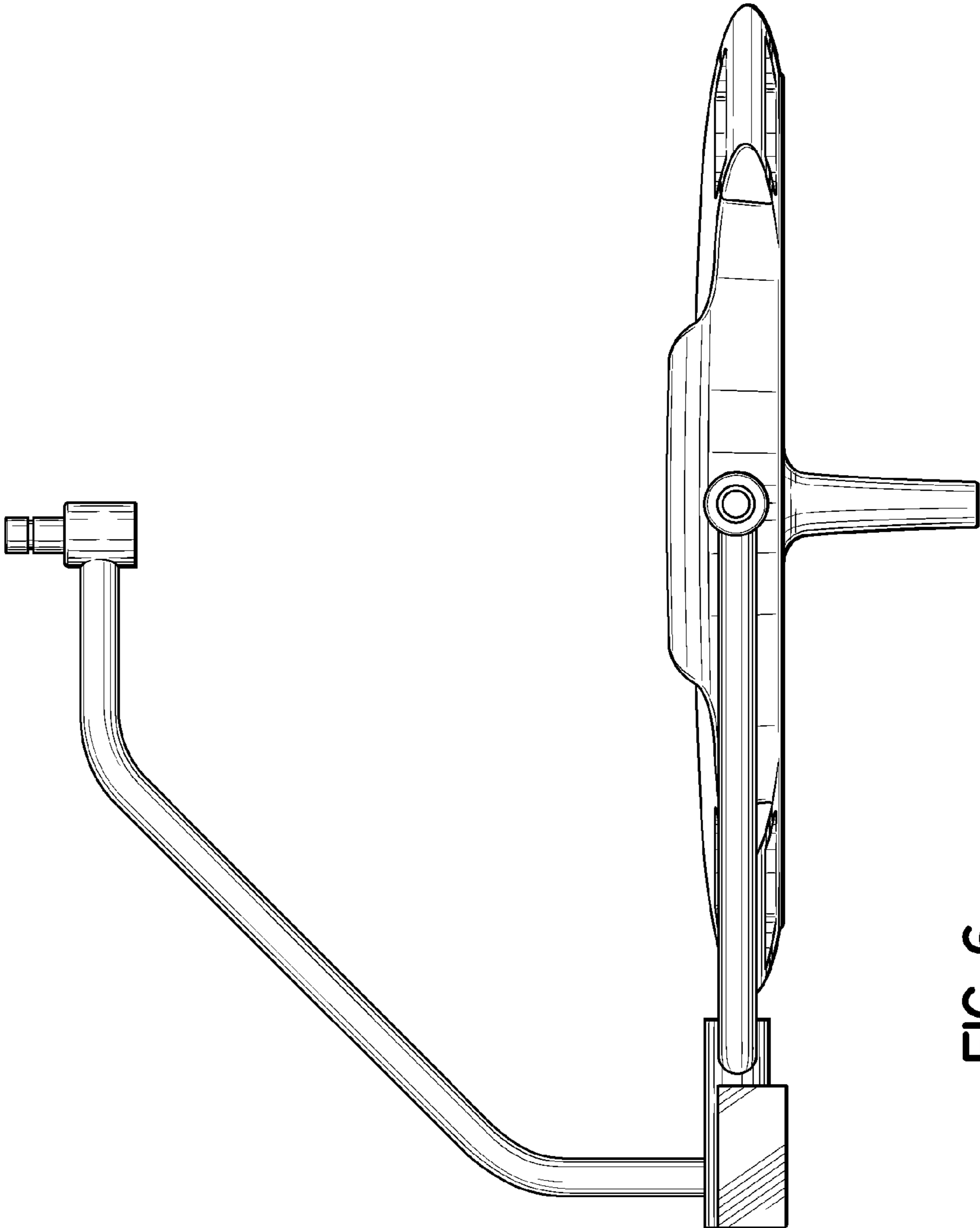


FIG. 6

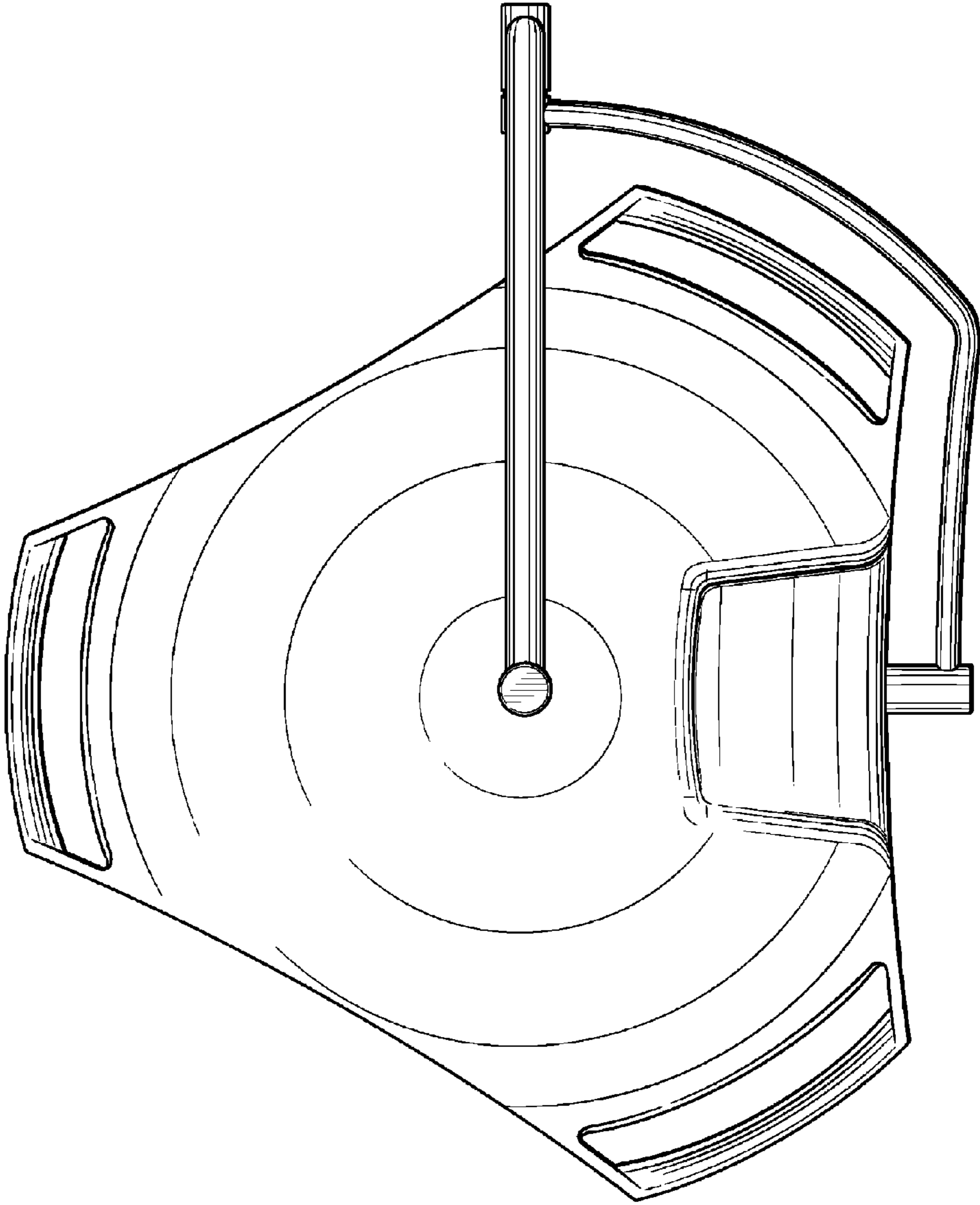


FIG. 7



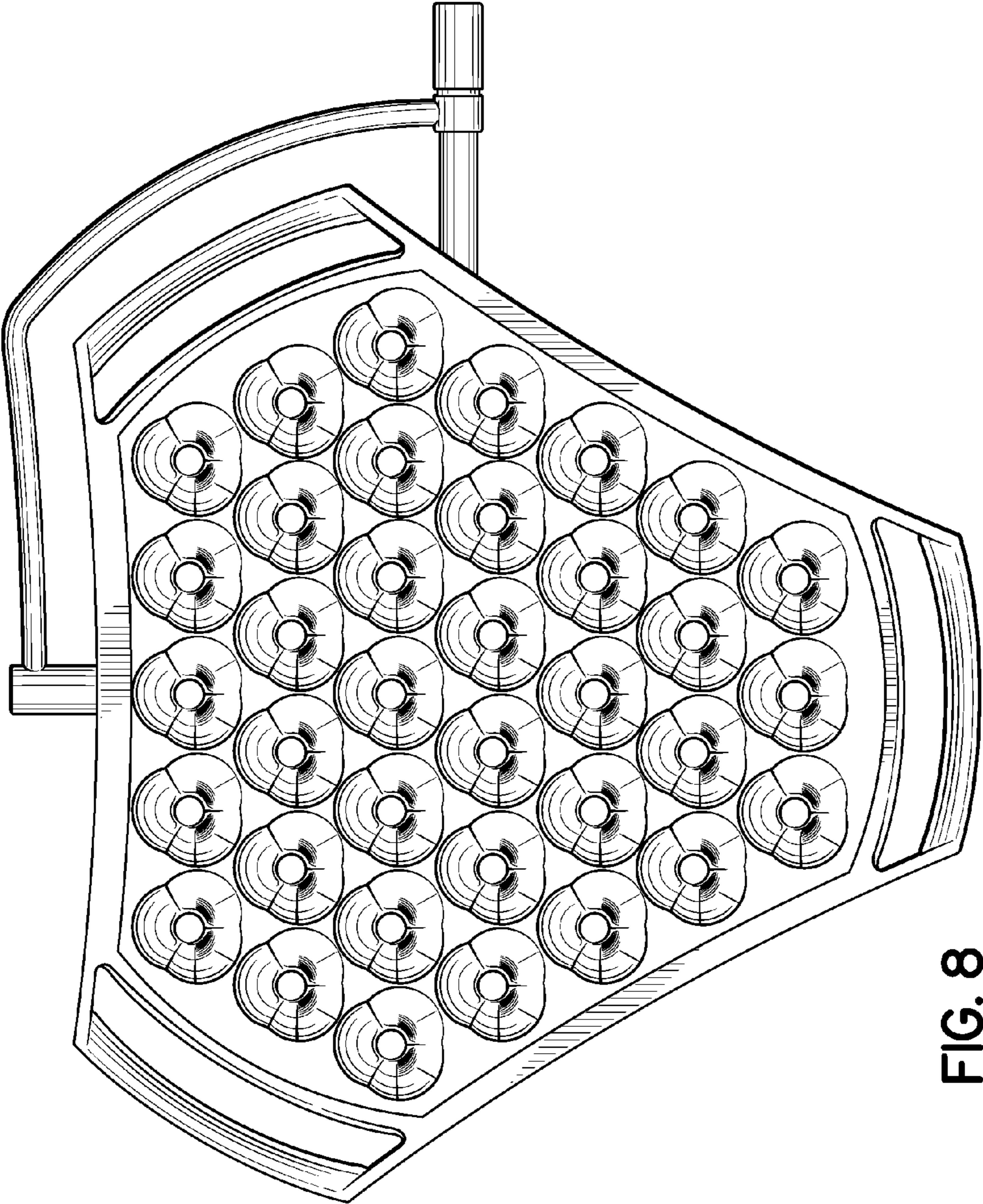


FIG. 8

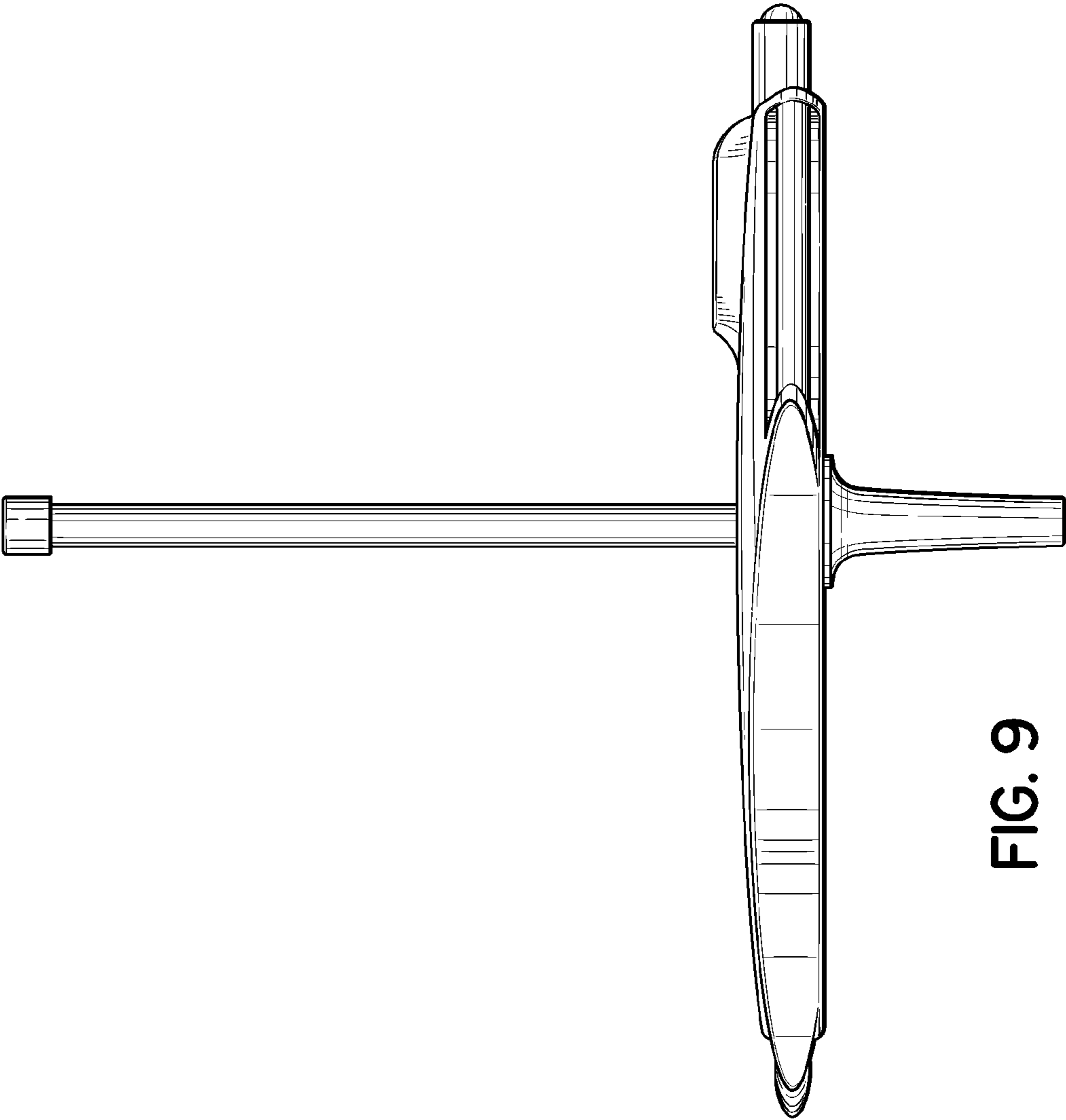


FIG. 9

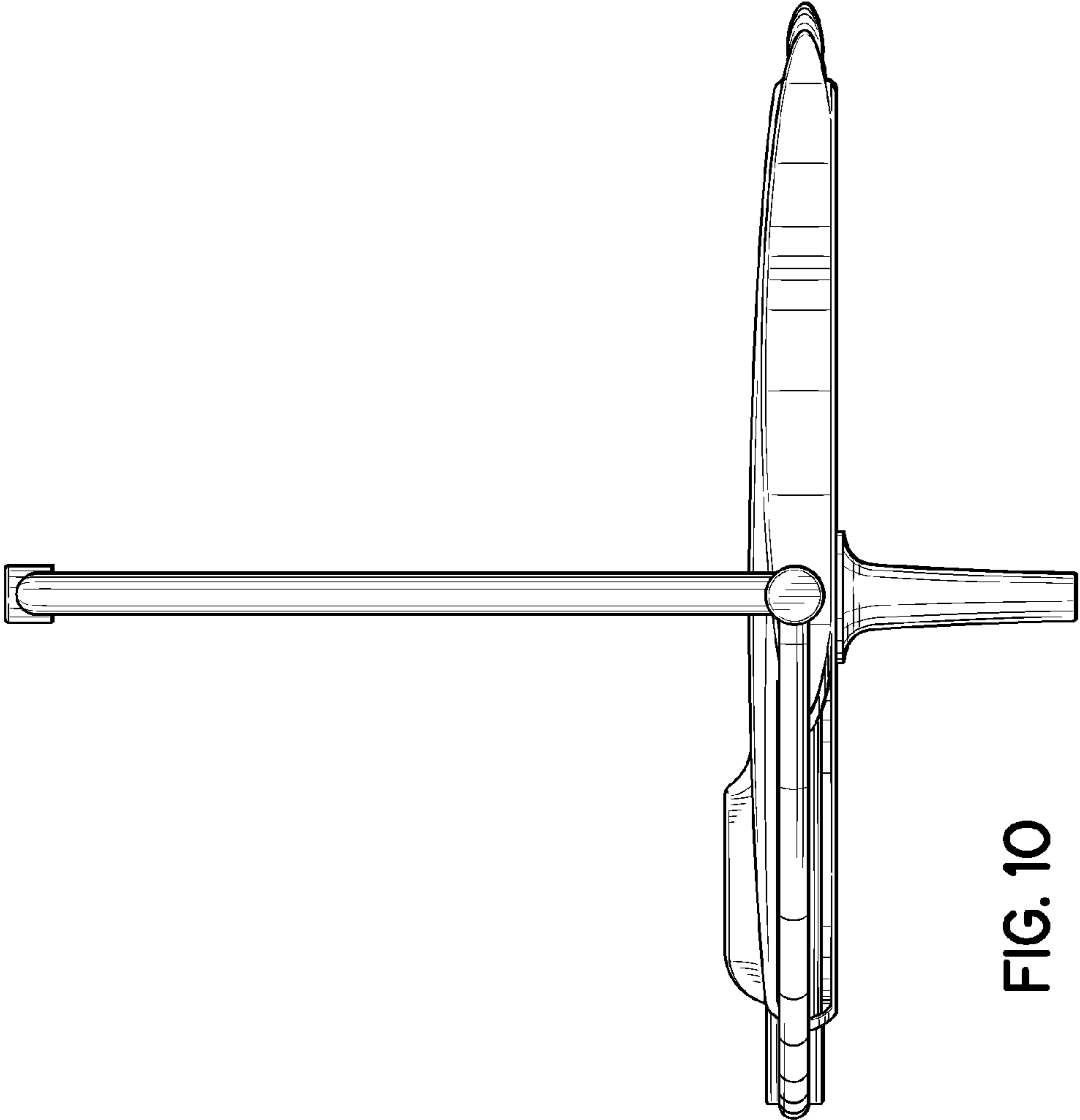


FIG. 10

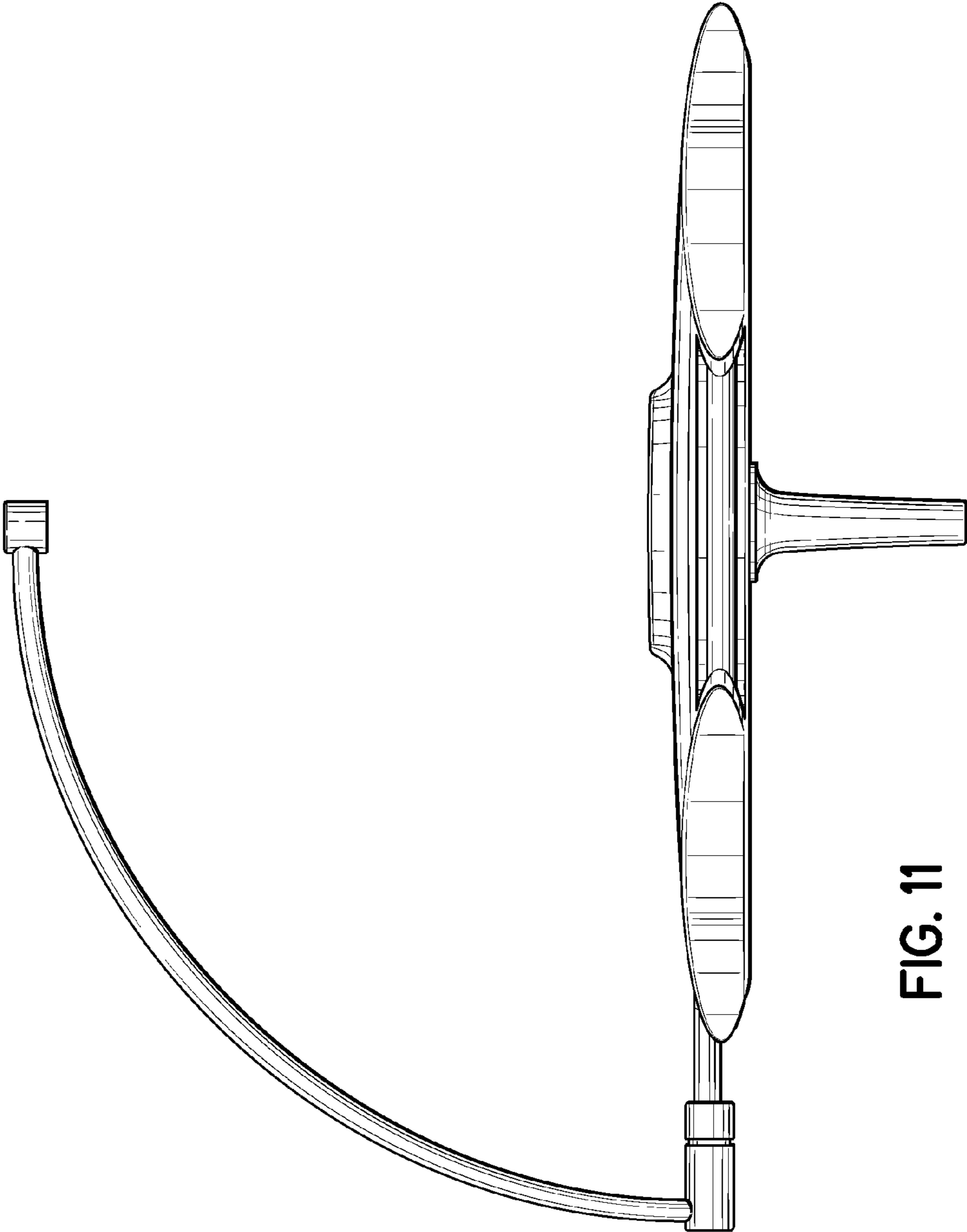


FIG. 11

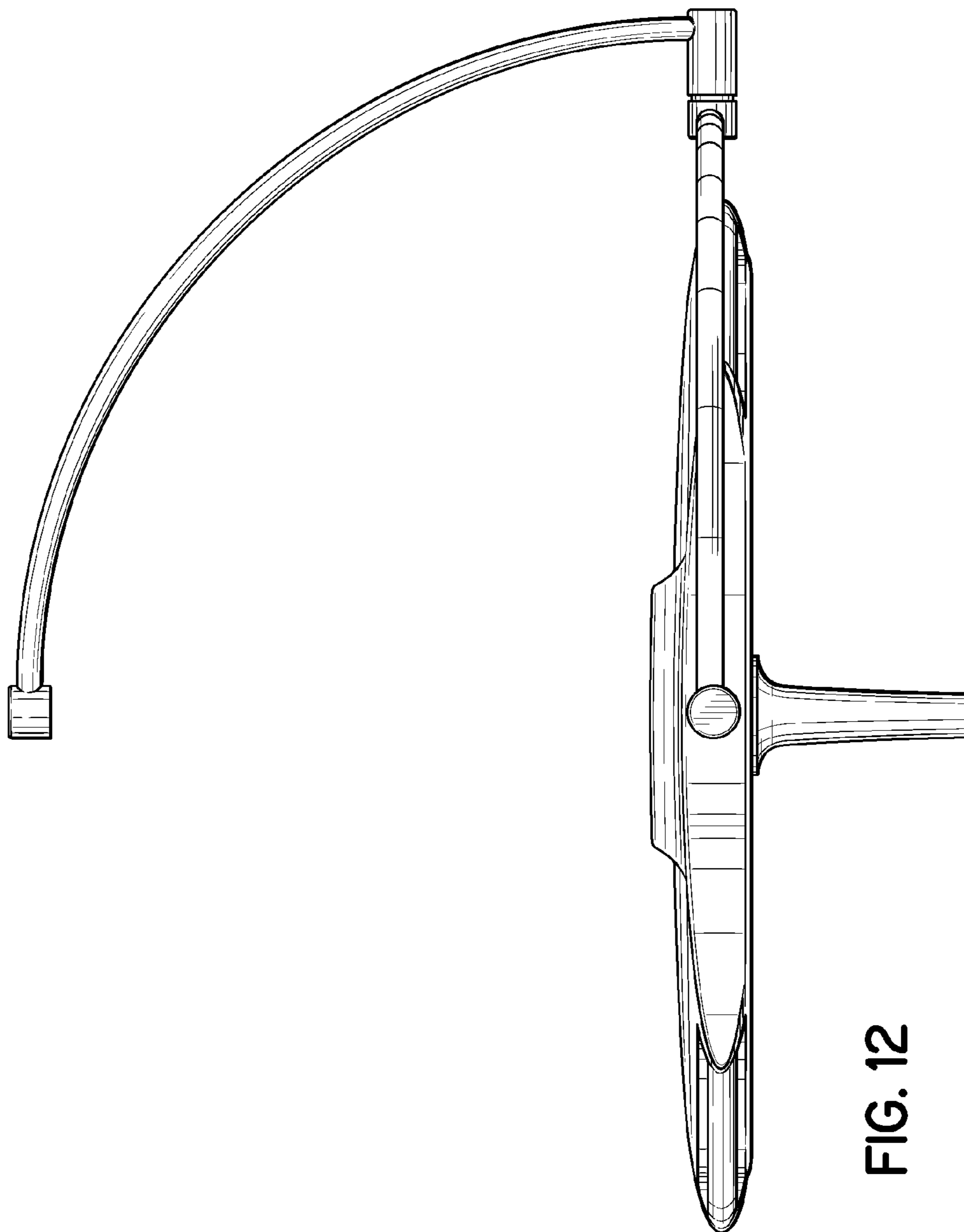


FIG. 12