



US00D621083S

(12) **United States Design Patent**
Coushaine et al.

(10) **Patent No.:** **US D621,083 S**

(45) **Date of Patent:** **** Aug. 3, 2010**

(54) **SWIVEL LAMP**

D585,152 S * 1/2009 Levine D26/76
7,591,572 B1 * 9/2009 Levine 362/427

(75) Inventors: **Charles Coushaine**, Rindge, NH (US);
Laura Peach, New Boston, NH (US)

(73) Assignee: **OSRAM SYLVANIA Inc.**, Danvers,
MA (US)

(**) Term: **14 Years**

(21) Appl. No.: **29/348,393**

(22) Filed: **Dec. 29, 2009**

Related U.S. Application Data

(63) Continuation of application No. 29/348,305, filed on
Dec. 17, 2009.

(51) **LOC (9) Cl.** **26-05**

(52) **U.S. Cl.** **D26/61**

(58) **Field of Classification Search** D26/61-66,
D26/60, 72, 85, 93, 104, 106, 109; 362/147,
362/217.01-217.03, 277, 282, 285, 310,
362/410-414

See application file for complete search history.

(56) **References Cited**

U.S. PATENT DOCUMENTS

D295,329 S * 4/1988 Roos et al. D26/75
D357,759 S 4/1995 Geissler
RE36,696 E 5/2000 Blackman
D513,643 S * 1/2006 Vakil et al. D26/76
D563,003 S 2/2008 Aleksjew
D576,334 S * 9/2008 Levine D26/76
D581,569 S * 11/2008 Levine D26/61

OTHER PUBLICATIONS

LED lamp marketed by Osram Sylvania under the name DOT-it (R)
“Linear Swivel” depicted on website www.sylvania.com/Consumer
Products Lifestyle Solutions visited Jun. 11, 2009 (1 page).

LED lamp marketed by Osram Sylvania under the name “Motion
Sensor LED Night Light Generation 2” sold in the United States Apr.
2009.

* cited by examiner

Primary Examiner—Susan M Lee

Assistant Examiner—Linda G. Brooks

(74) *Attorney, Agent, or Firm*—Edward S. Podszus

(57) **CLAIM**

The ornamental design for a swivel lamp, as shown and
described.

DESCRIPTION

FIG. 1 is a perspective view of the new design for a swivel
lamp as seen from the front, right side;

FIG. 2 is a top plan view thereof;

FIG. 3 is a front elevational view thereof;

FIG. 4 is a bottom plan view thereof;

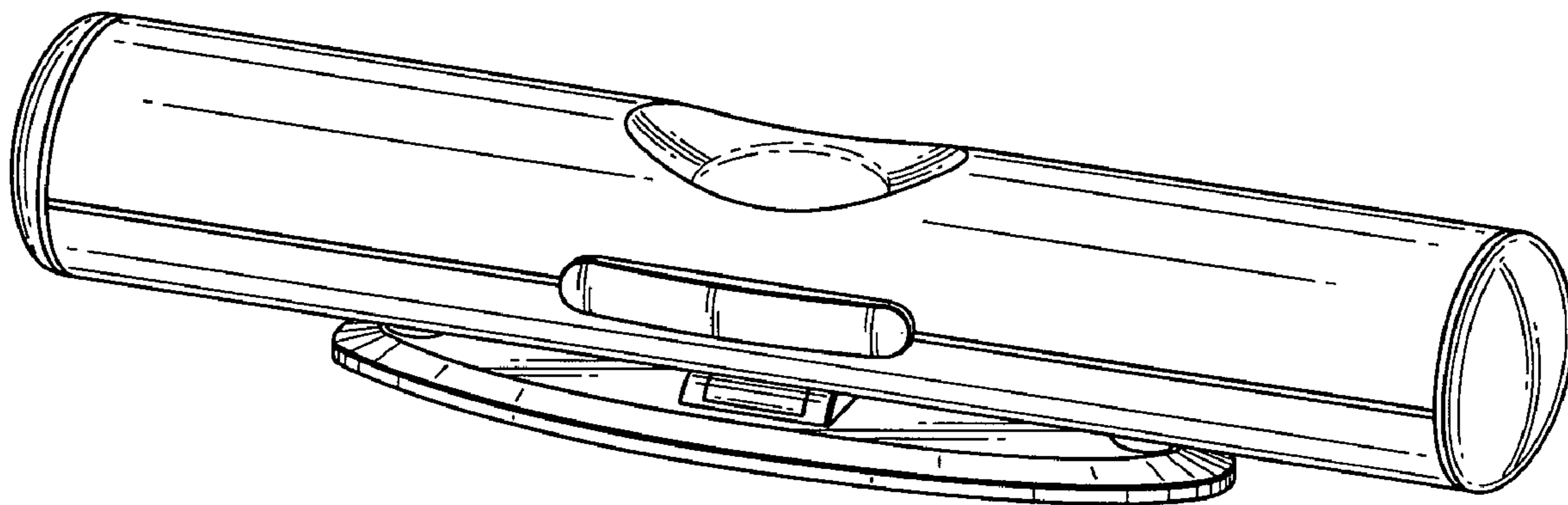
FIG. 5 is a rear view thereof;

FIG. 6 is a left side view thereof; and,

FIG. 7 is a right side view thereof.

The broken lines in FIGS. 1 and 2 represent the boundary of
the claimed design and form no part thereof.

1 Claim, 4 Drawing Sheets



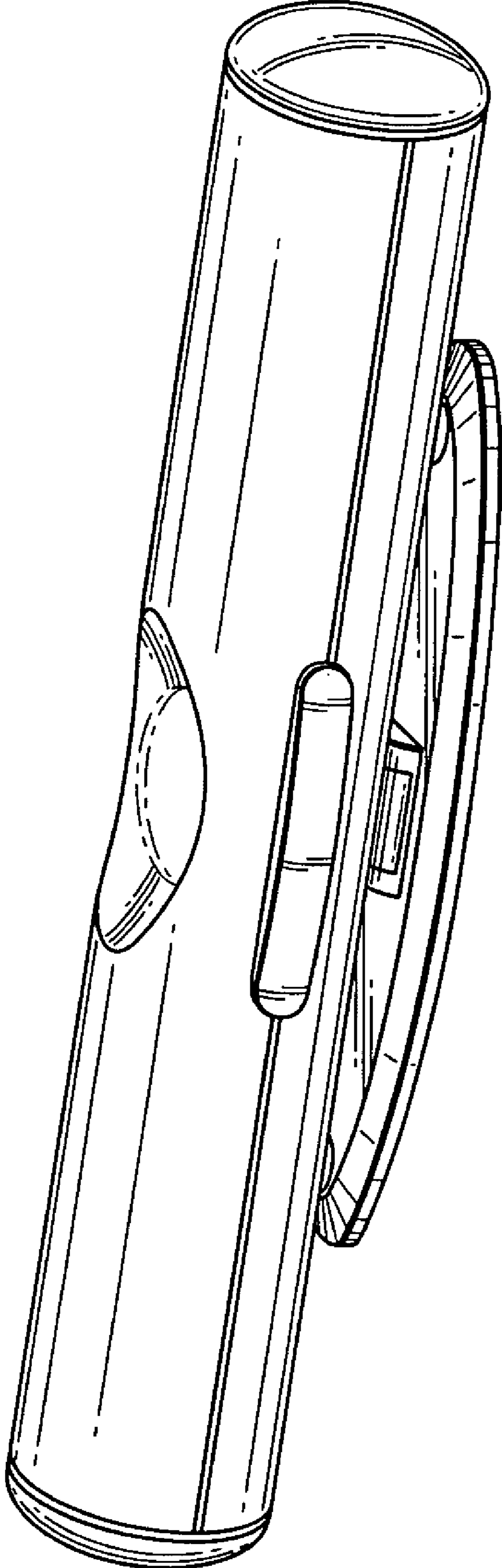


FIG. 1

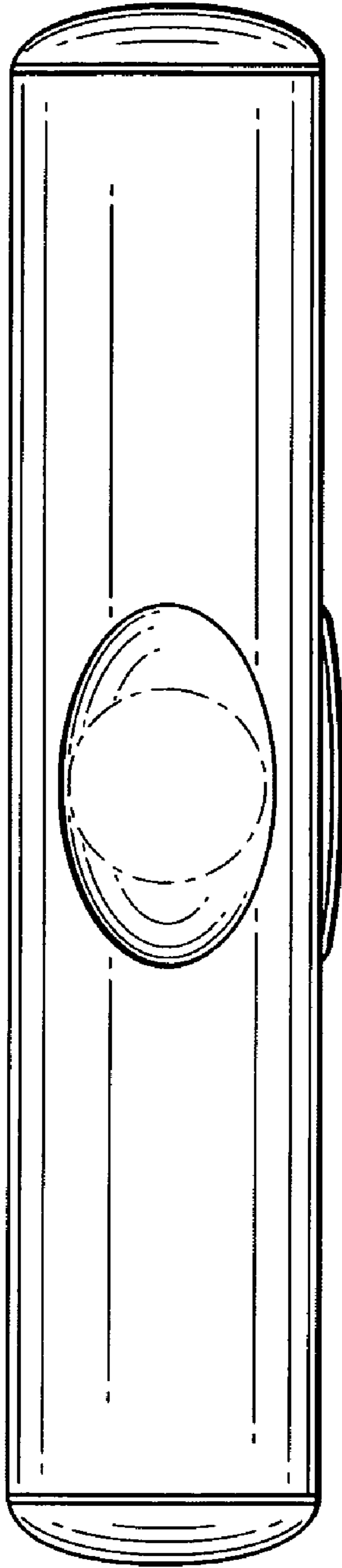


FIG. 2

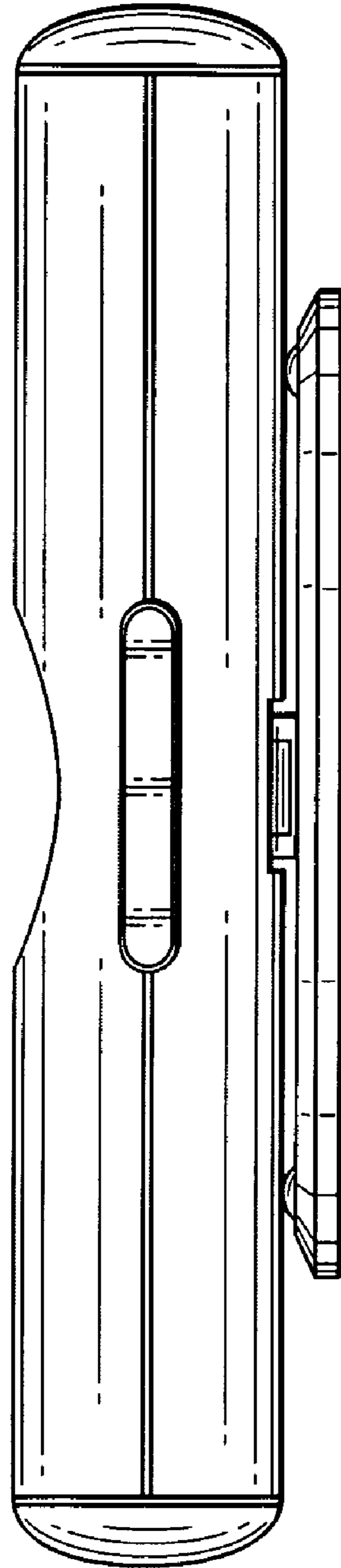


FIG. 3

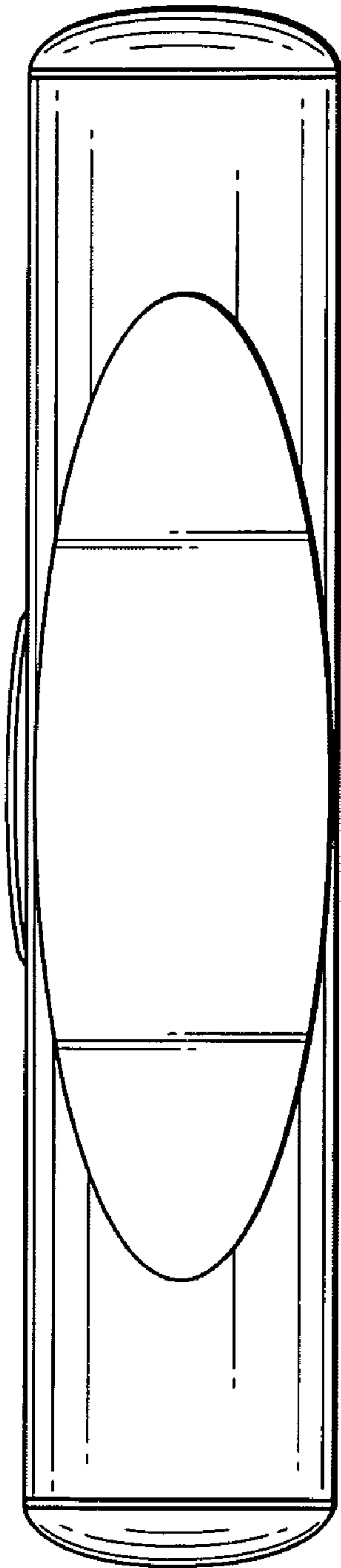


FIG. 4

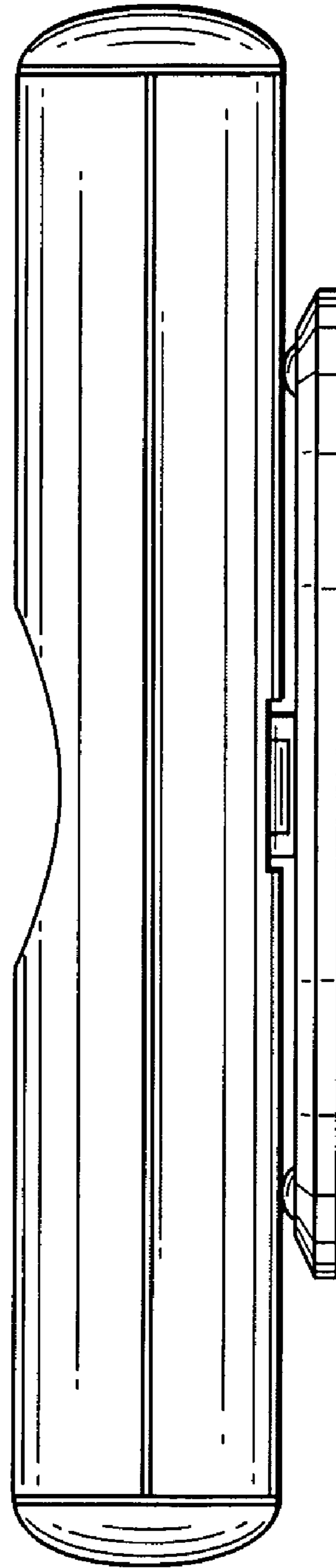


FIG. 5

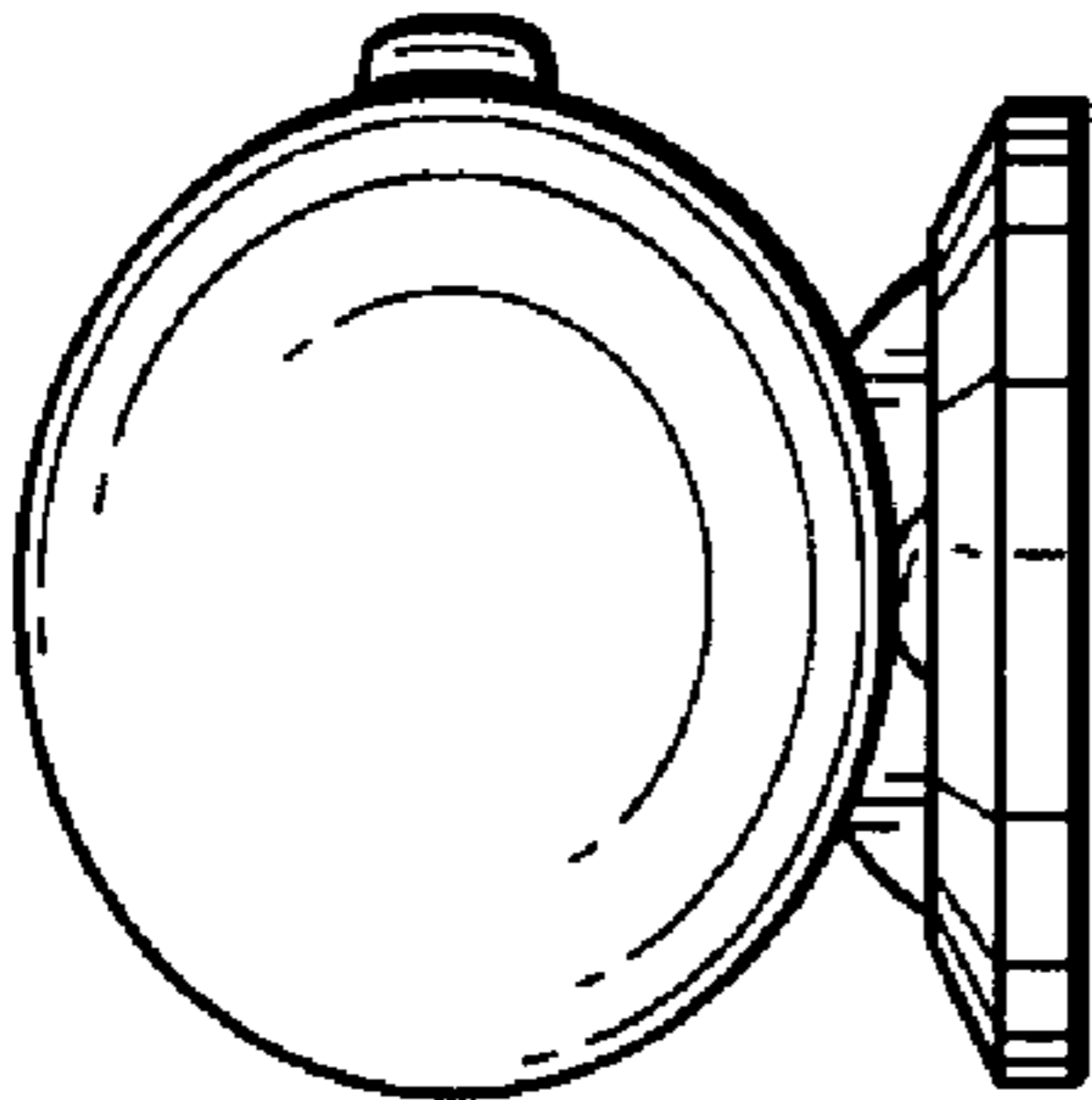


FIG. 6

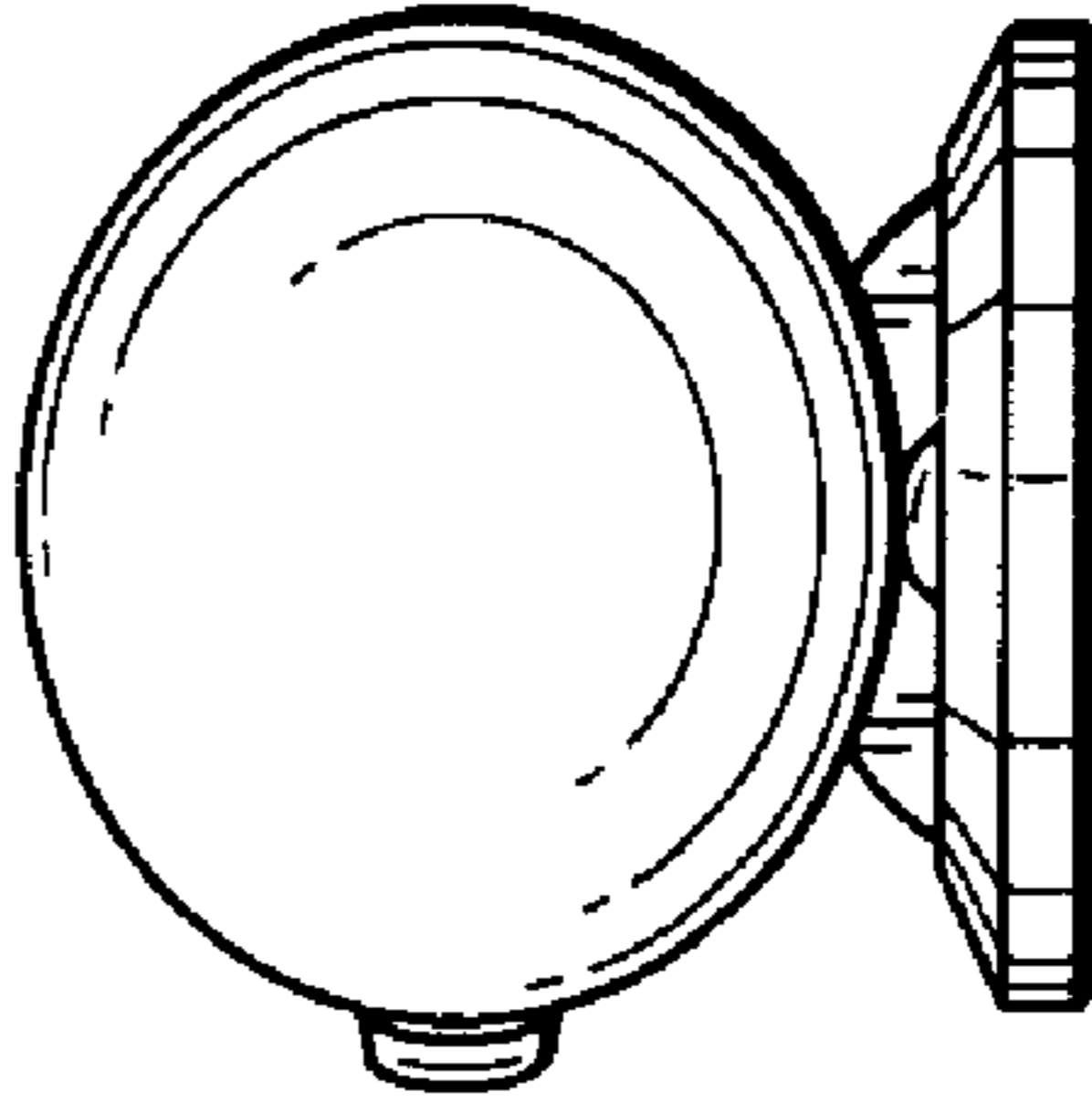


FIG. 7