



US00D621079S

(12) **United States Design Patent**
Lau

(10) **Patent No.:** **US D621,079 S**

(45) **Date of Patent:** **** Aug. 3, 2010**

(54) **LED HEADLAMP**

2009/0207591 A1* 8/2009 Kumthampinij et al. 362/105

(76) Inventor: **Chi Hung Fermi Lau**, Room 1729,
17/F., Star House, 3 Salsbury Road,
Tsimshatsui, Kowloon (HK)

* cited by examiner

Primary Examiner—Ian Simmons
Assistant Examiner—Carissa C Fitts

(**) Term: **14 Years**

(74) *Attorney, Agent, or Firm*—Raymond Y. Chan; David and
Raymond Paten Firm

(21) Appl. No.: **29/316,213**

(57) **CLAIM**

(22) Filed: **Sep. 3, 2009**

The ornamental design for a LED headlamp, as shown and
described.

(51) **LOC (9) Cl.** **26-02**

(52) **U.S. Cl.** **D26/39**

(58) **Field of Classification Search** D26/37,
D26/38, 39, 40, 42, 46, 51; 362/103, 105,
362/108, 157, 158, 183, 184, 194–196, 200,
362/201, 208

See application file for complete search history.

DESCRIPTION

FIG. 1 is a perspective view of LED headlamp showing my
new design.

FIG. 2 is a front view thereof.

FIG. 3 is a rear view thereof.

FIG. 4 is a right end view thereof.

FIG. 5 is a left end view thereof.

FIG. 6 is a top view thereof.

FIG. 7 is a bottom view thereof; and,

FIG. 8 is a perspective view in an open position thereof.

(56) **References Cited**

U.S. PATENT DOCUMENTS

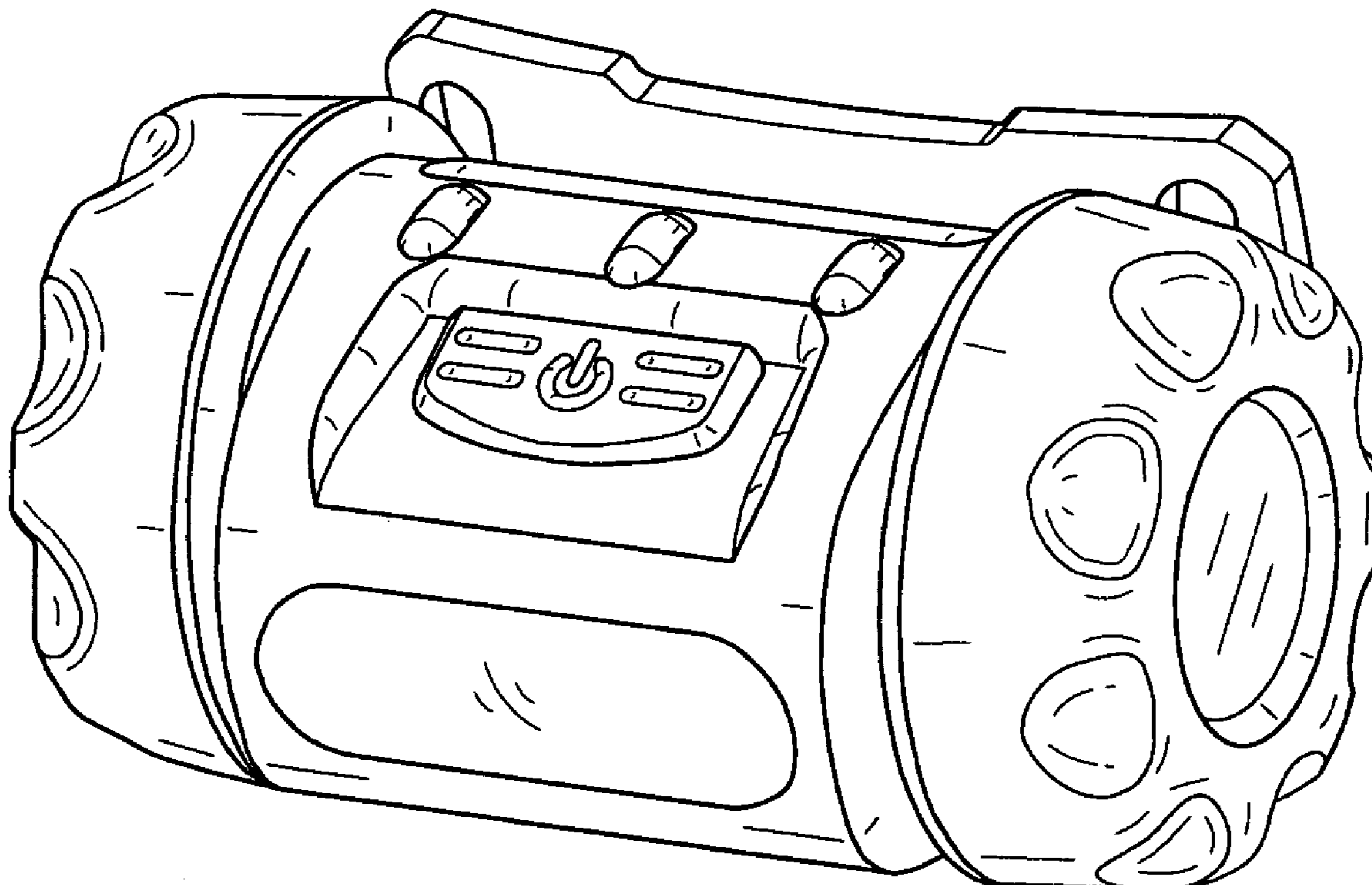
D482,472 S * 11/2003 Shiu D26/39

D525,734 S * 7/2006 Shiao D26/39

D577,842 S * 9/2008 Kumthampinij et al. D26/39

2008/0205036 A1* 8/2008 Tarter et al. 362/105

1 Claim, 8 Drawing Sheets



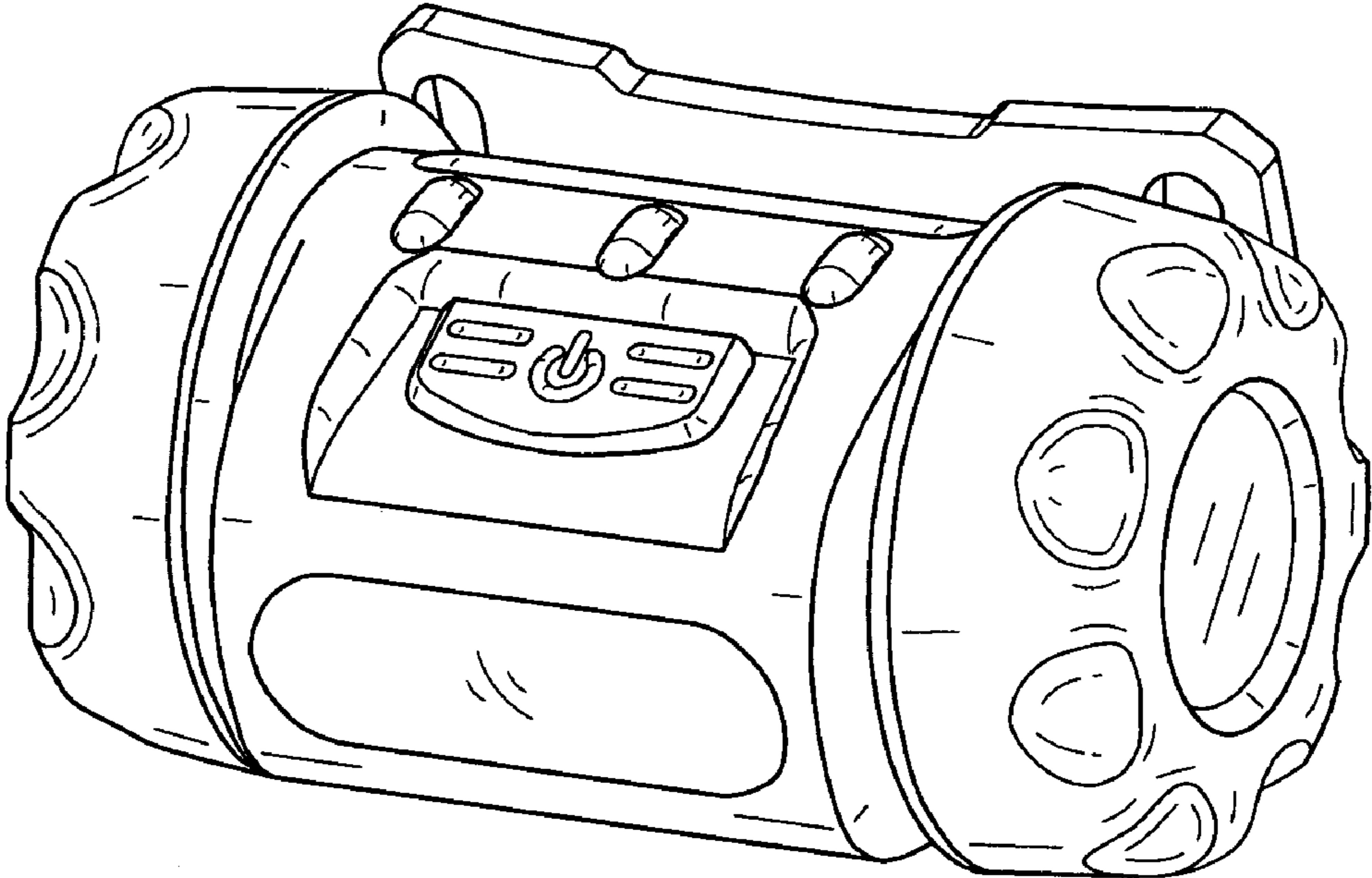


FIG. 1

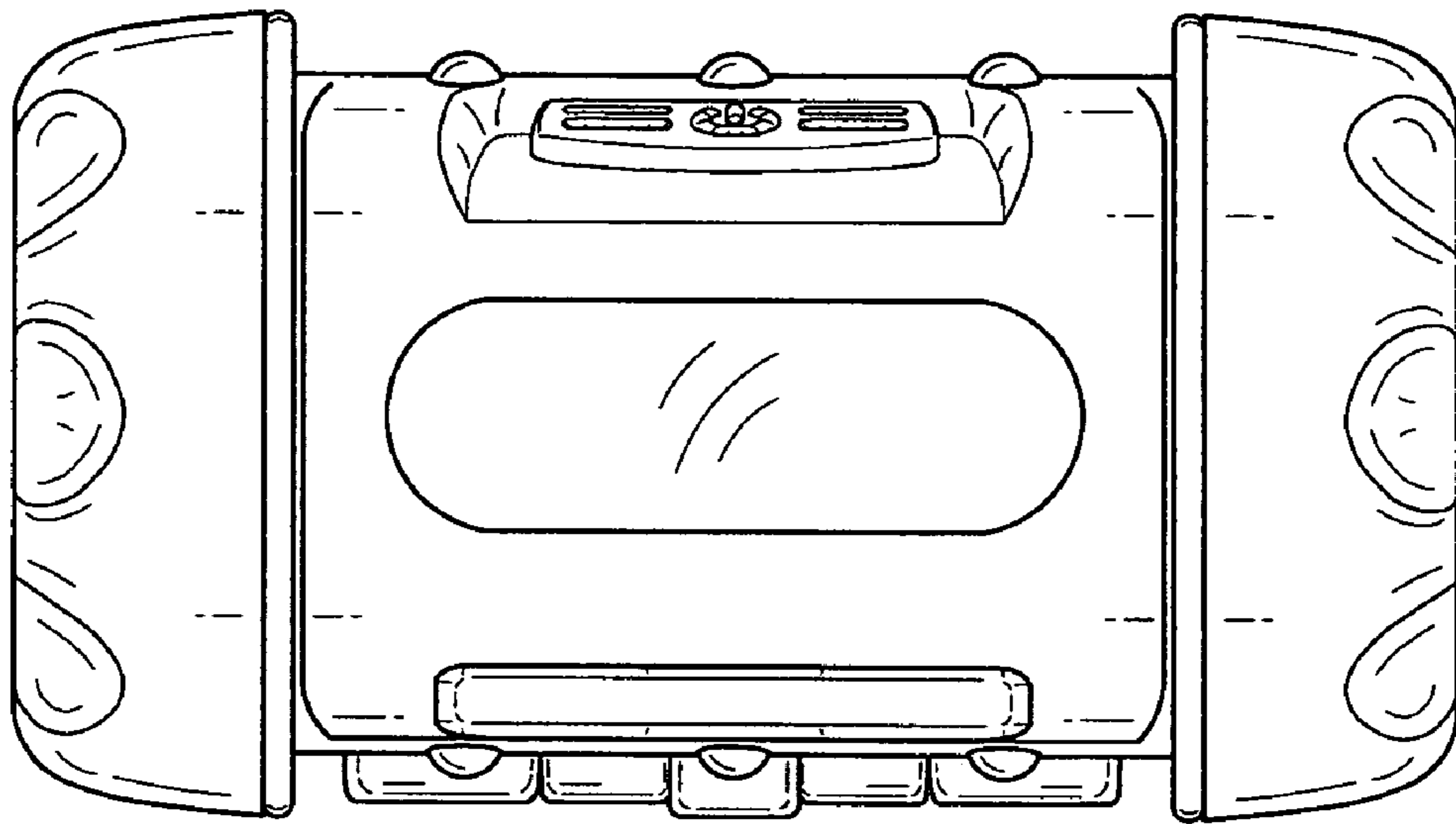


FIG. 2

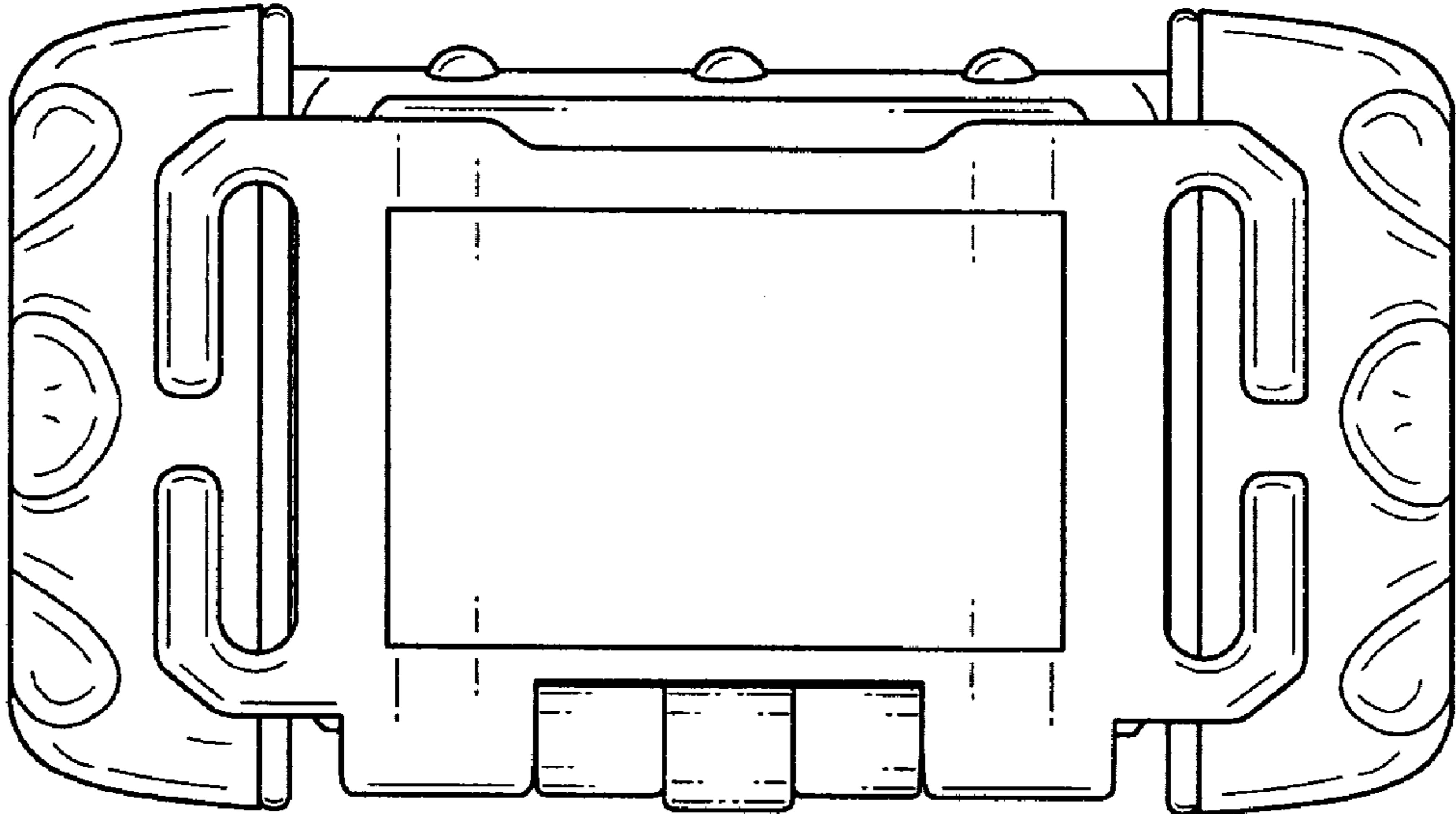


FIG. 3

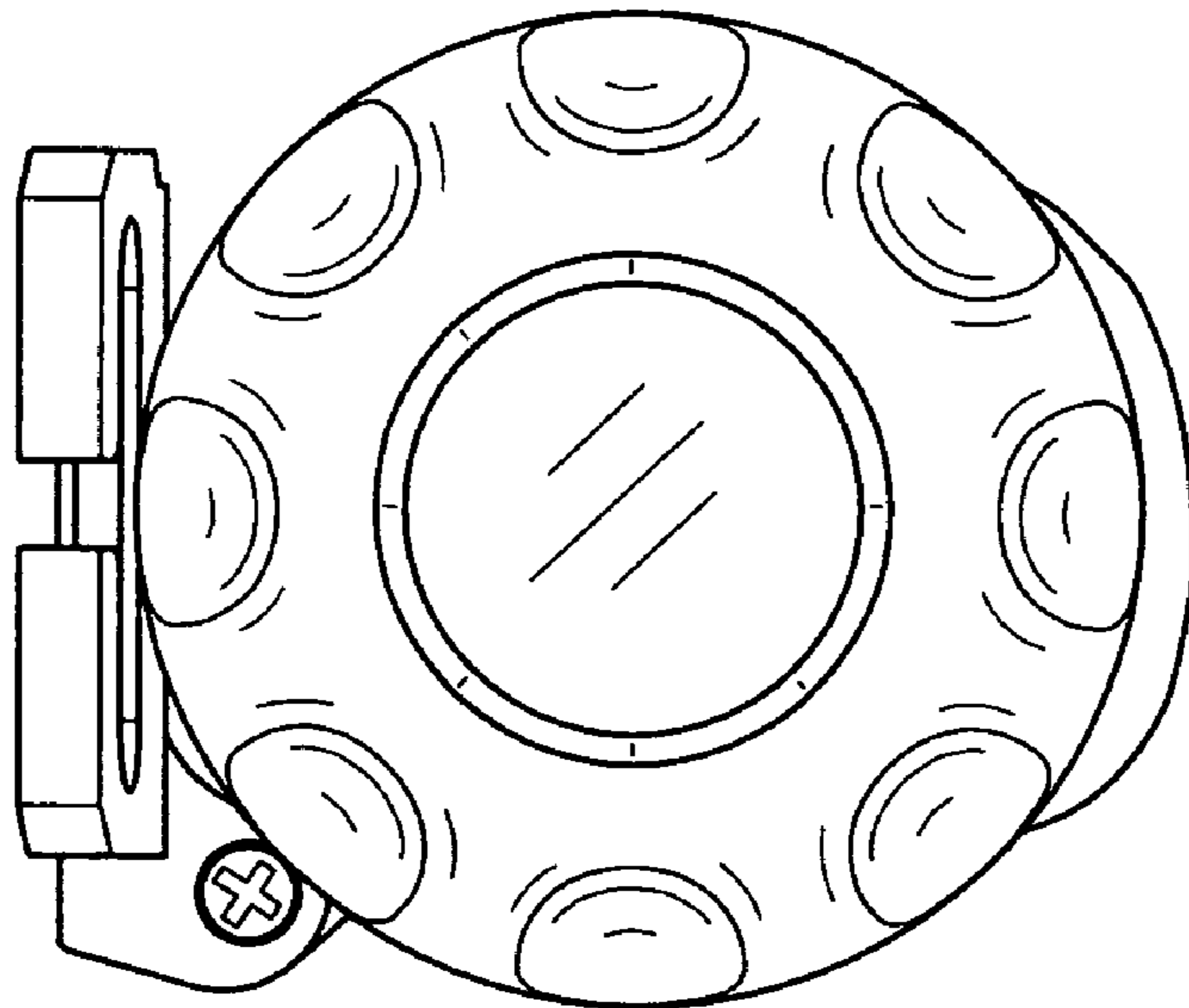


FIG. 4

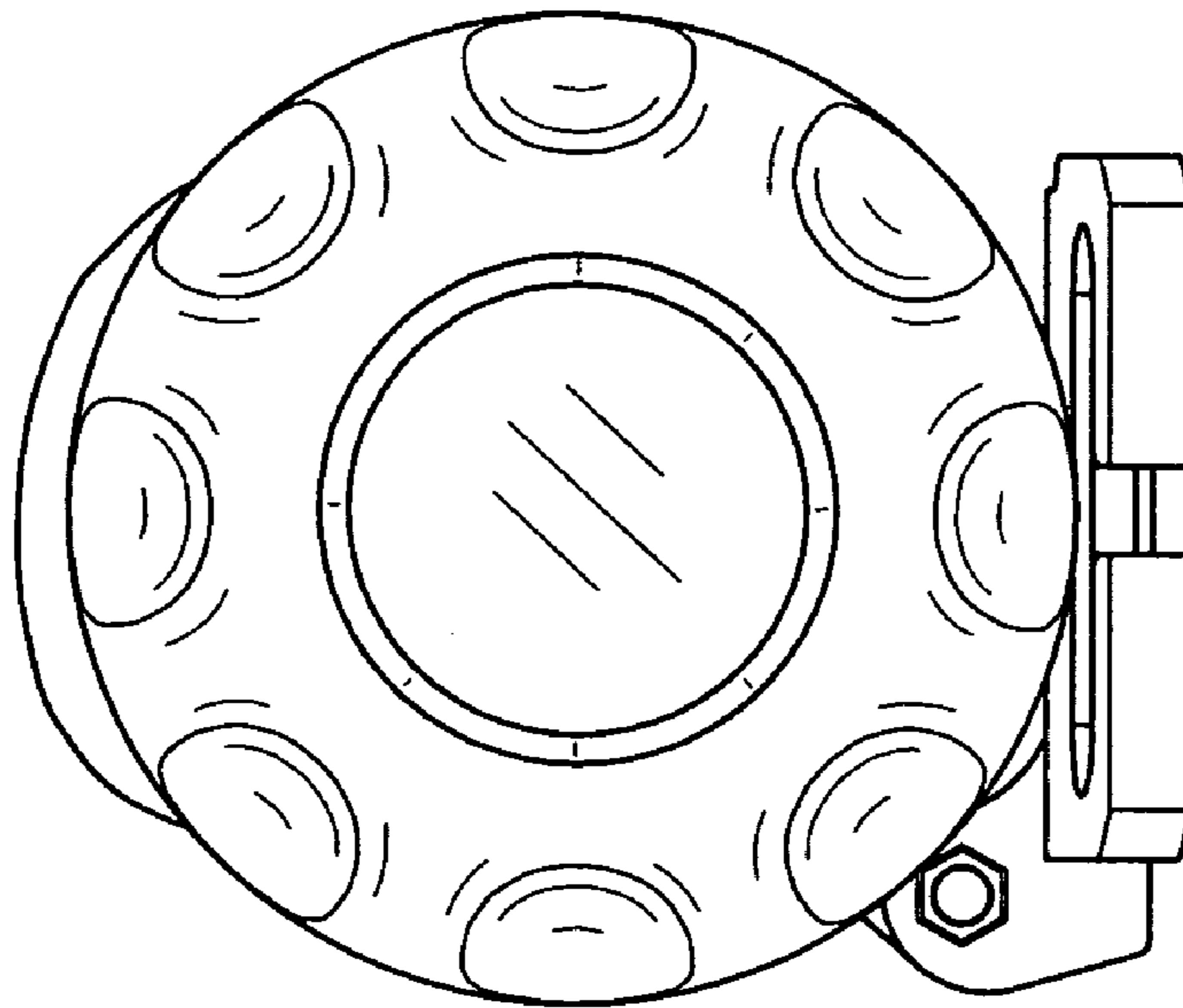


FIG. 5

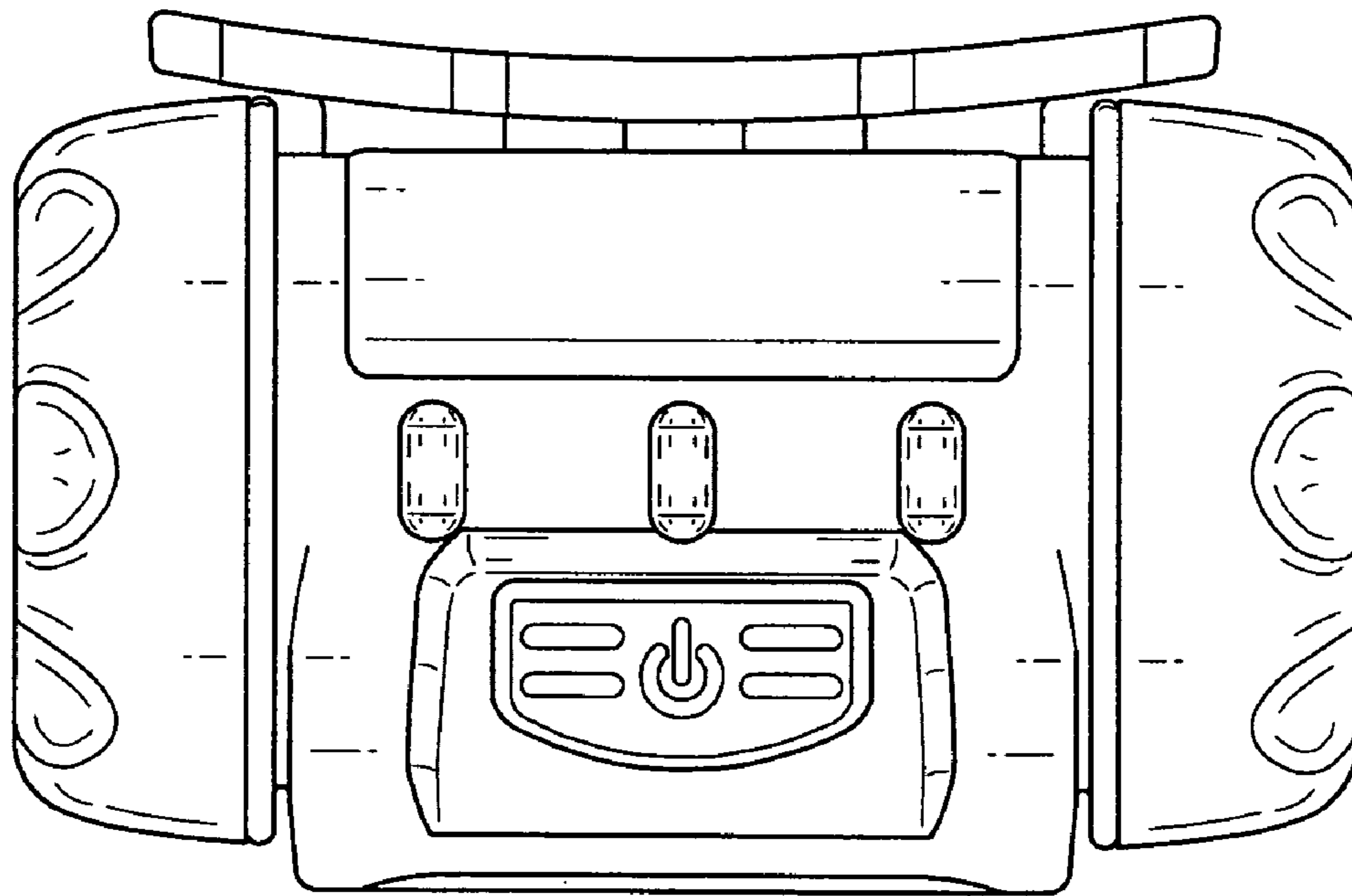


FIG. 6

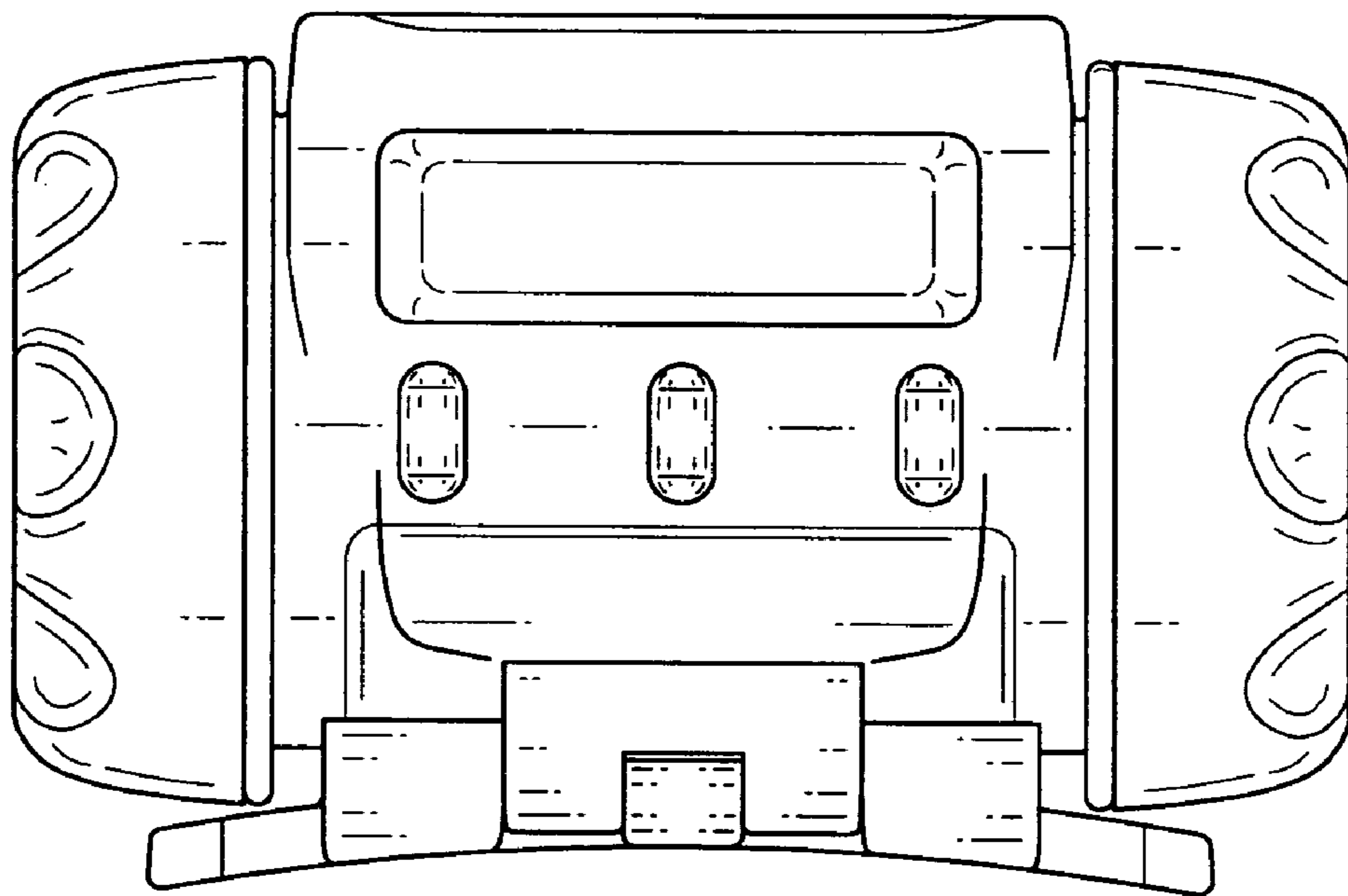


FIG. 7

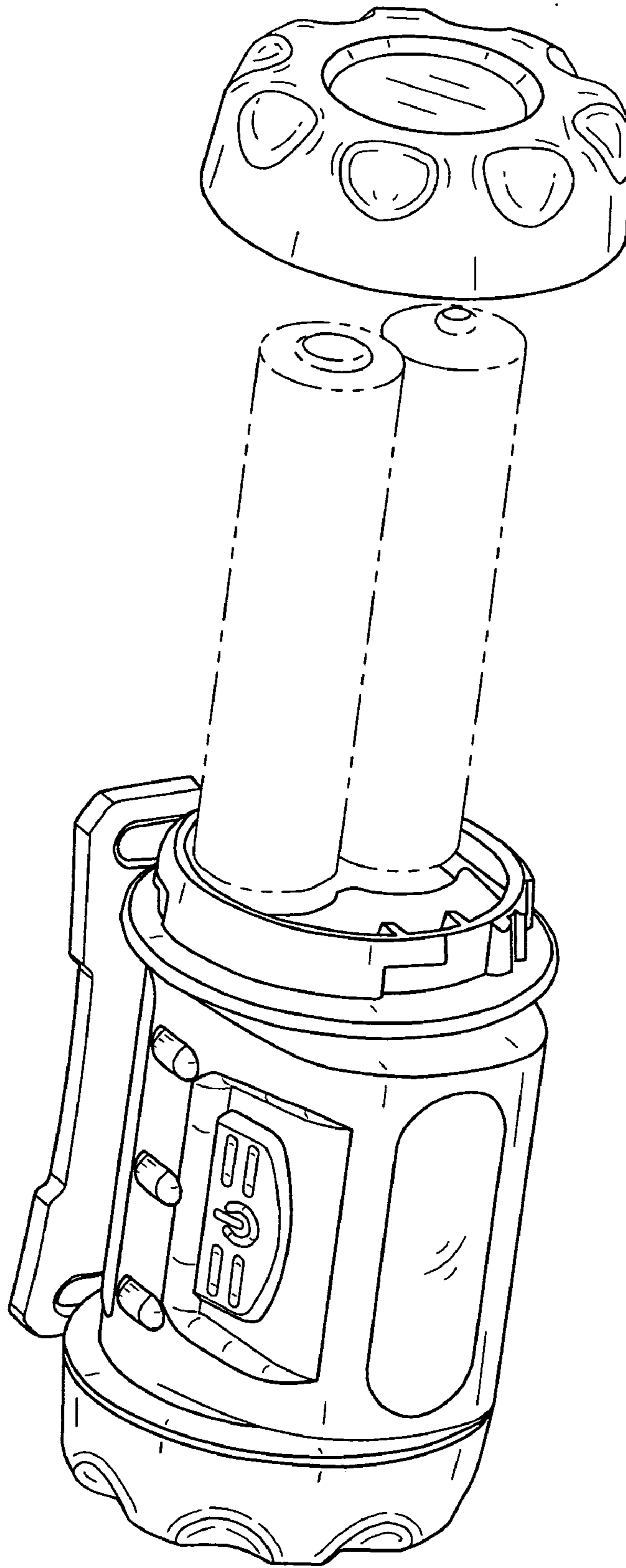


FIG. 8