



US00D621077S

(12) **United States Design Patent**
Fleischman

(10) **Patent No.:** **US D621,077 S**

(45) **Date of Patent:** **** Aug. 3, 2010**

(54) **UMBRELLA AND RAILING CANDLE
HOLDER**

D382,195 S * 8/1997 Ekern D8/373
D467,492 S * 12/2002 Wieder D8/356

(75) Inventor: **Curtis Fleischman**, Clackamas, OR
(US)

* cited by examiner

Primary Examiner—T. Chase Nelson
Assistant Examiner—Ania K Dworzecka

(73) Assignee: **Stable Solutions LLC**, Clackamas, OR
(US)

(74) *Attorney, Agent, or Firm*—Schwabe, Williamson &
Wyatt, P.C.

(**) Term: **14 Years**

(57) **CLAIM**

(21) Appl. No.: **29/350,688**

The ornamental design for an umbrella and railing candle holder, as shown and described.

(22) Filed: **Nov. 20, 2009**

DESCRIPTION

(51) **LOC (9) Cl.** **26-01**

(52) **U.S. Cl.** **D26/9; D26/23**

(58) **Field of Classification Search** D26/9–23,
D26/114–137; D8/349, 354, 355, 356, 363,
D8/364, 365, 373, 380, 382, 394, 395, 396;
428/7–9, 11; 431/291, 311, 320, 298; 362/161–163,
362/351

FIG. 1 is a top plan view of an umbrella and railing candle holder showing my new design;

FIG. 2 is a bottom plan view thereof;

FIG. 3 is a front elevational view thereof;

FIG. 4 is a rear elevational view thereof;

FIG. 5 is a right side elevational view thereof; and,

FIG. 6 is a left side elevational view thereof.

See application file for complete search history.

In the drawings, the broken lines depict unclaimed subject matter only and form no part of the claimed design.

(56) **References Cited**

U.S. PATENT DOCUMENTS

D203,214 S * 12/1965 Woerner D26/20

D300,258 S * 3/1989 Rubarth D26/11

1 Claim, 2 Drawing Sheets

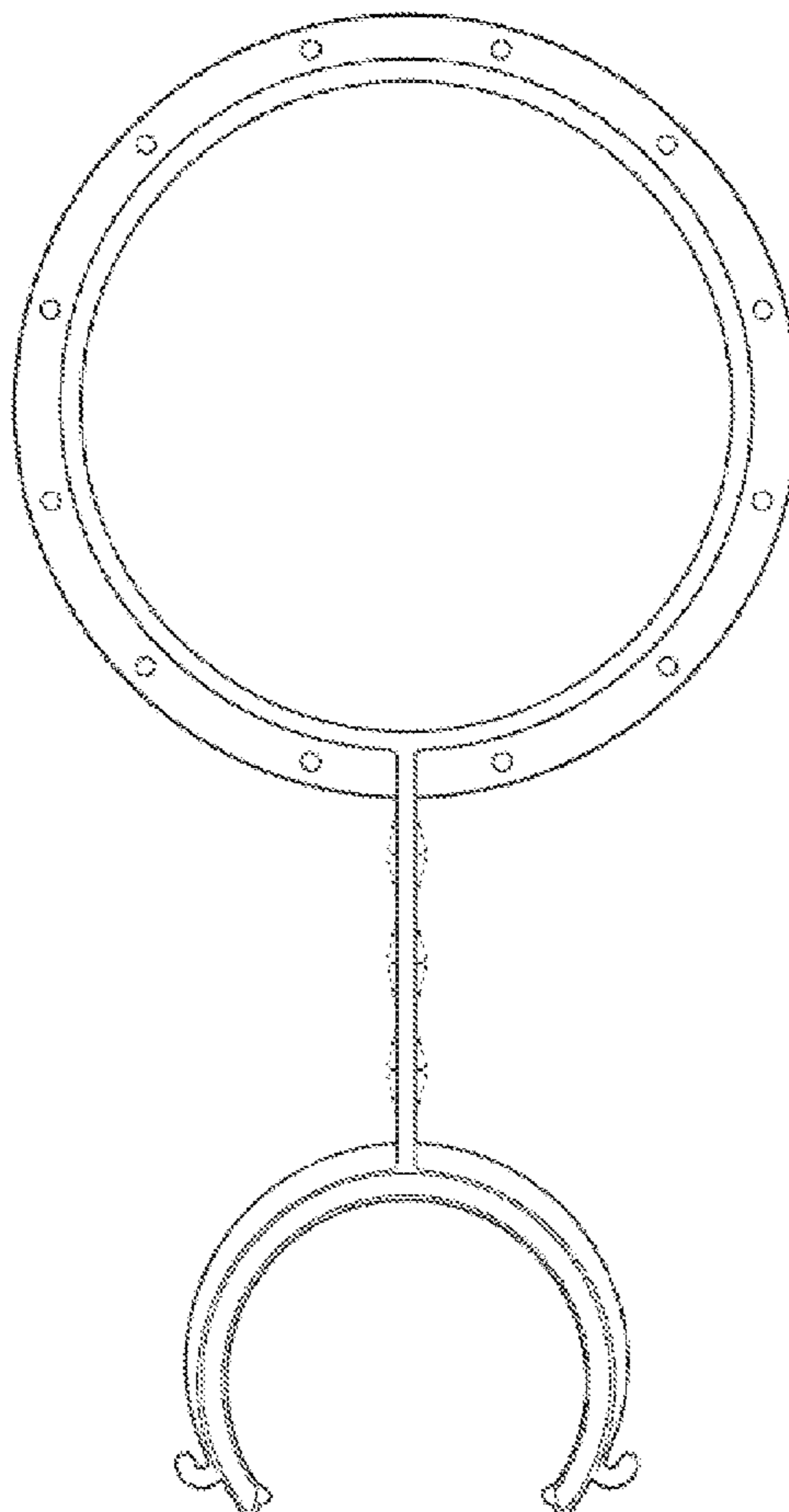


FIGURE 1

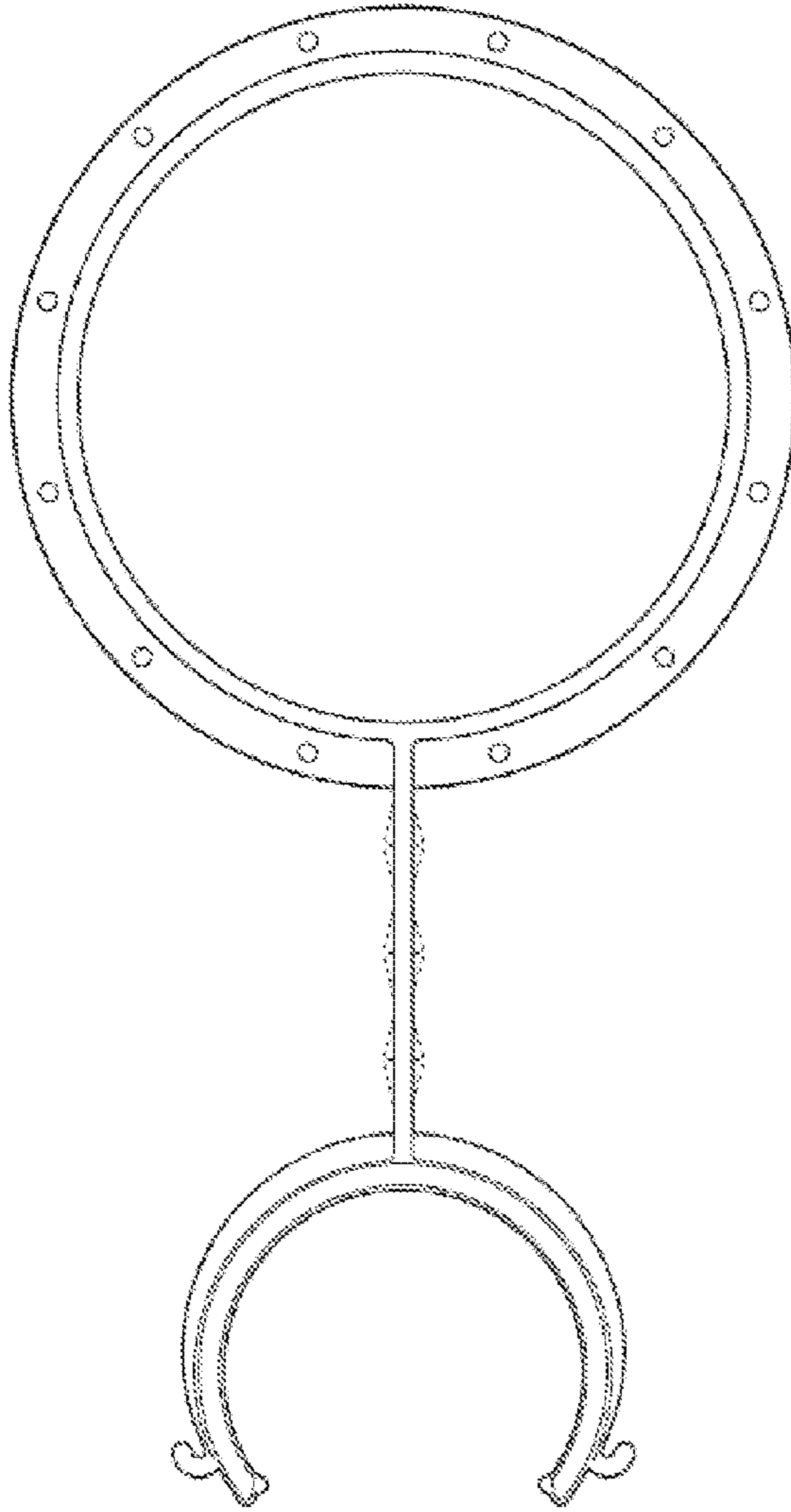


FIGURE 2

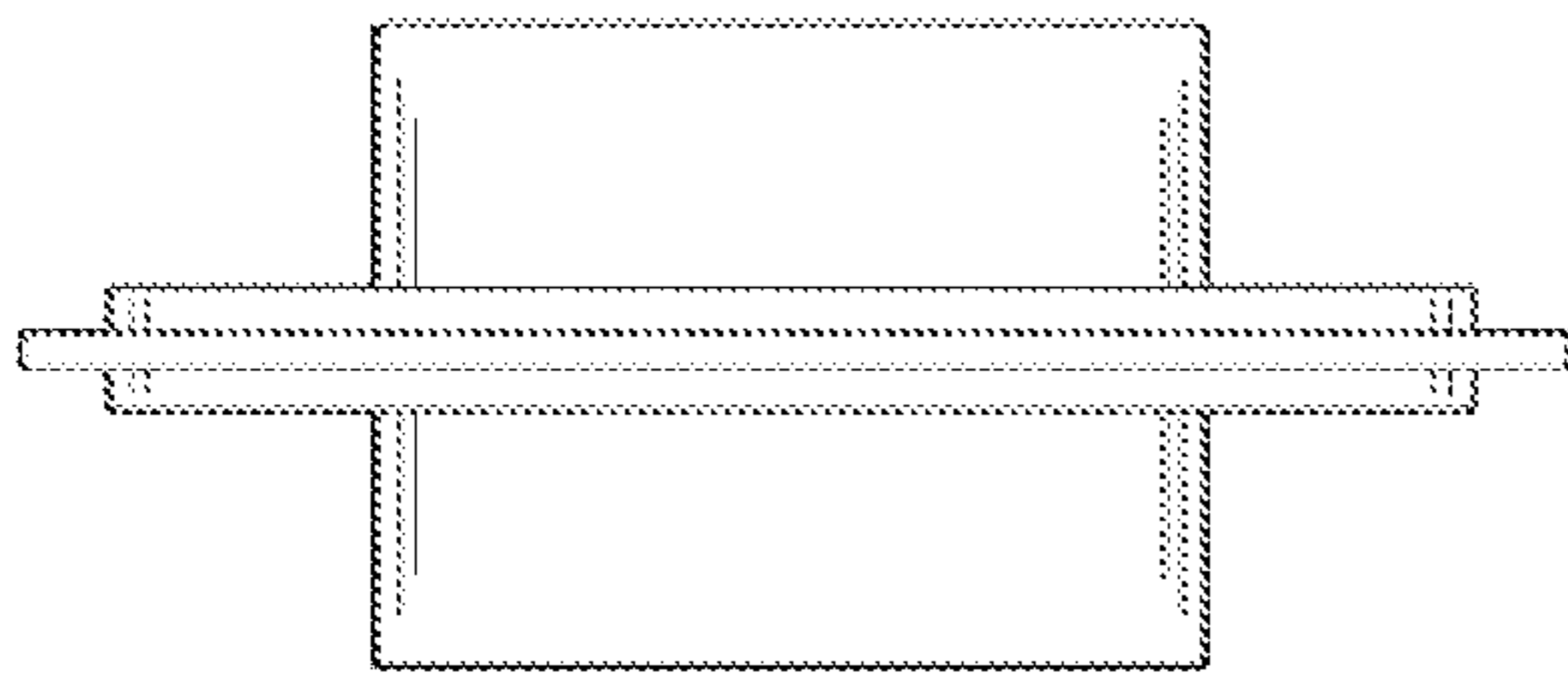
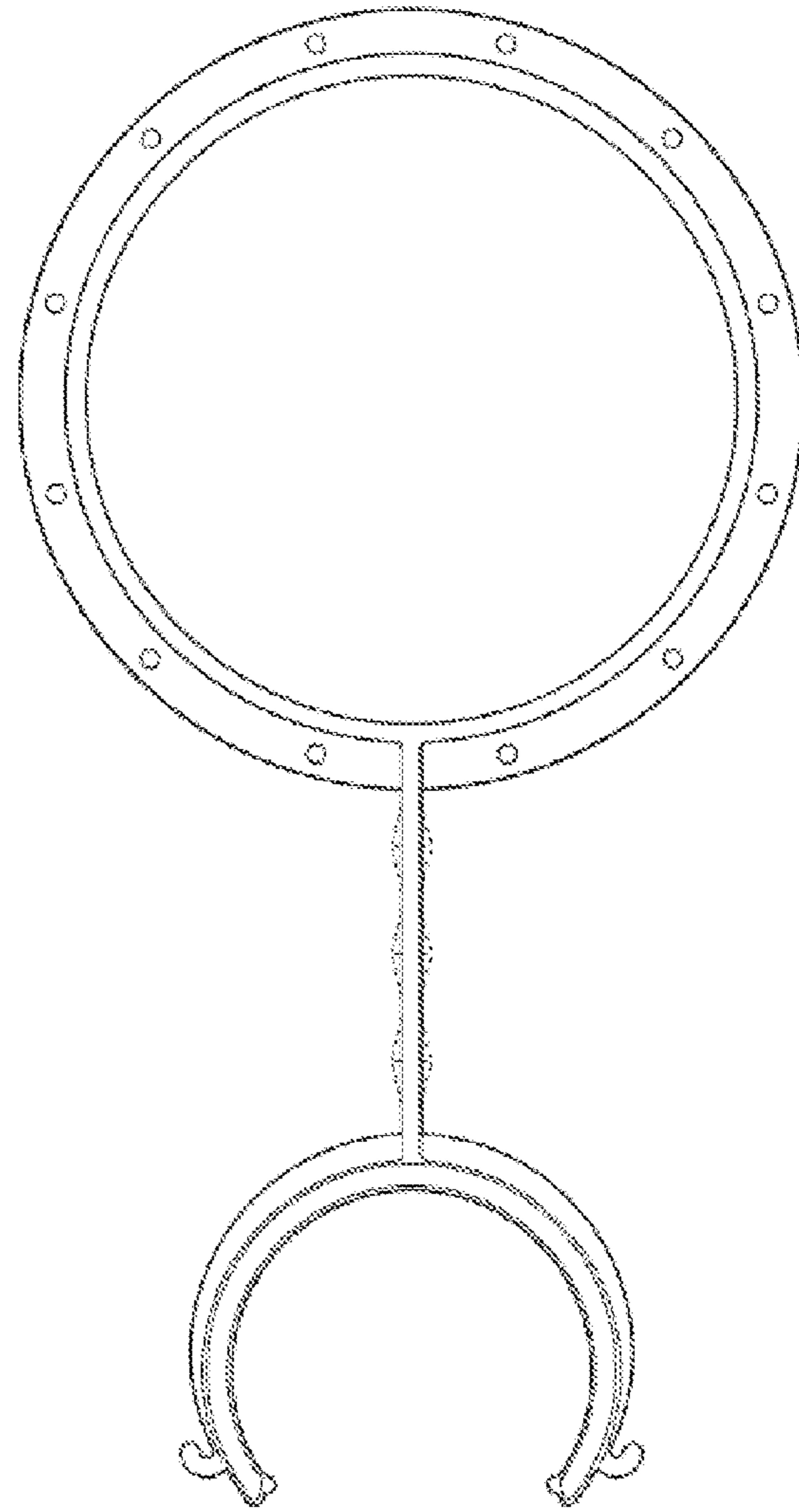


FIGURE 3

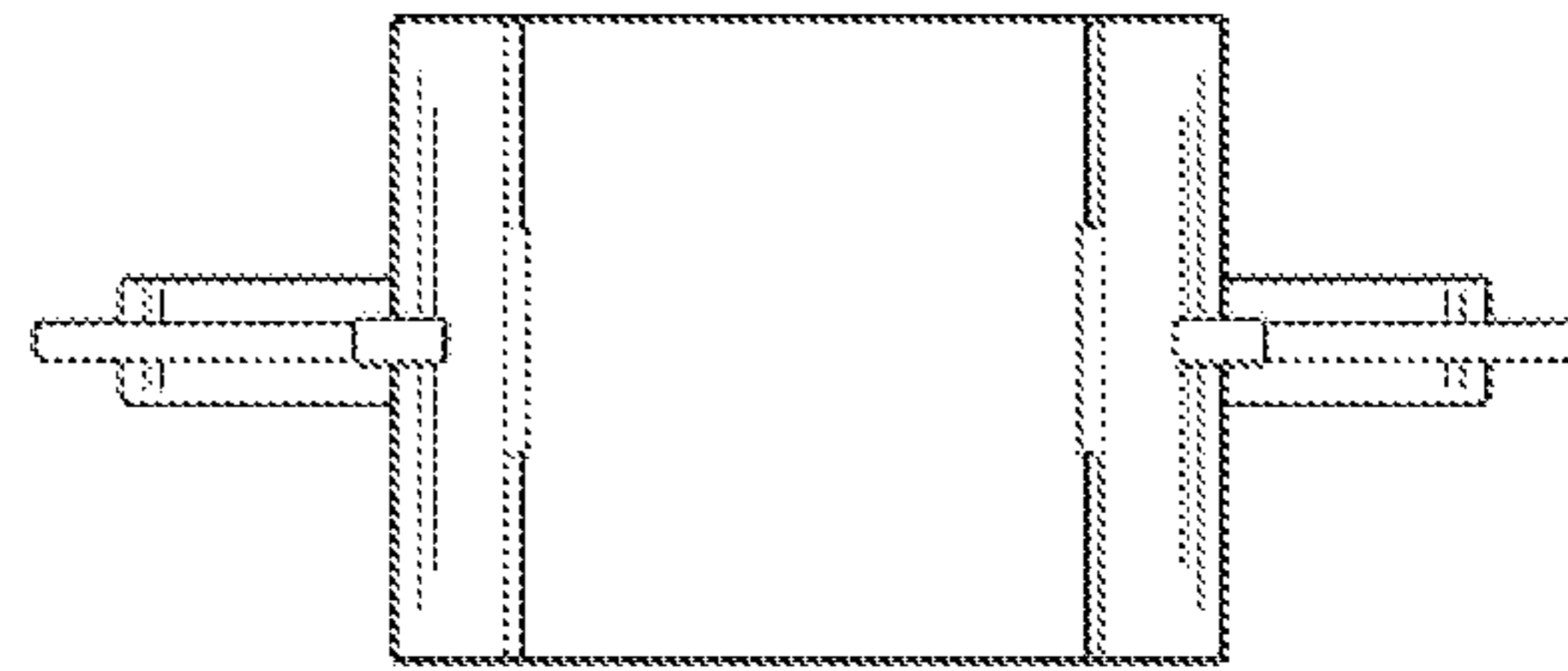


FIGURE 4

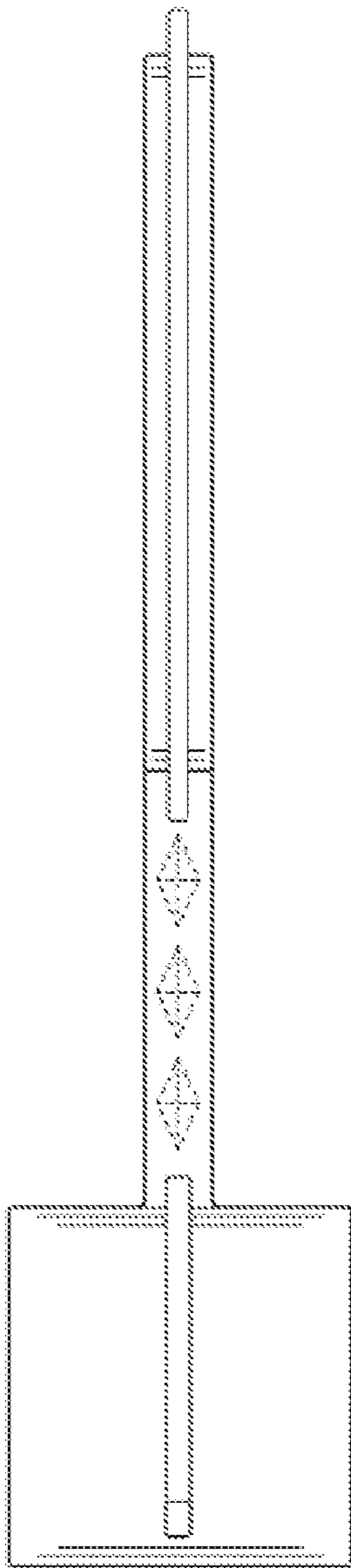


FIGURE 5

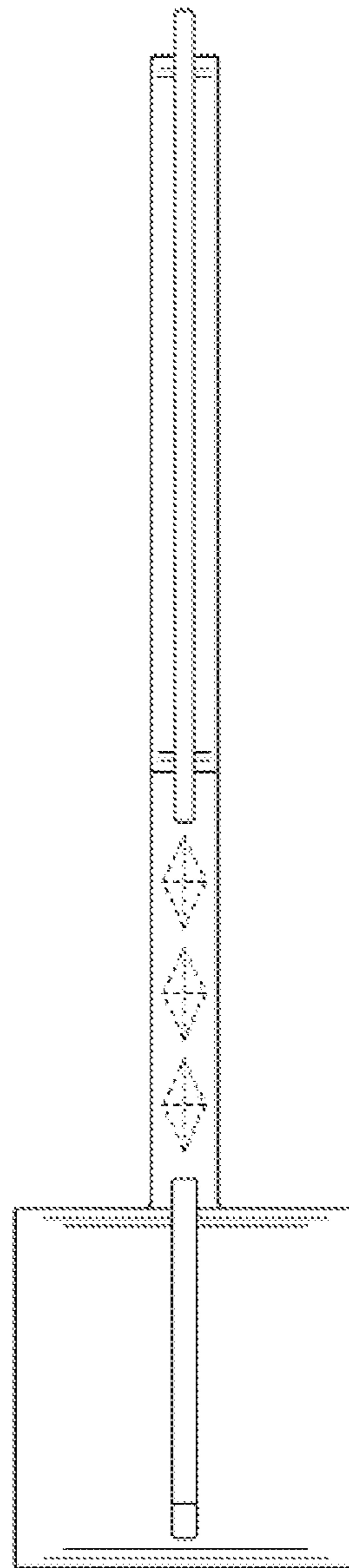


FIGURE 6