



US00D621076S

(12) **United States Design Patent**
Vibiano

(10) **Patent No.:** **US D621,076 S**

(45) **Date of Patent:** **** Aug. 3, 2010**

(54) **FLOORING SUPPORT STRIP**

6,647,680 B2 * 11/2003 Daly et al. 52/287.1
D499,819 S * 12/2004 Glatz D25/164

(76) Inventor: **Flavia Athayde Vibiano**, Rua das
Mimosas, 56 - casa 4, São Paulo-São
Paulo (BR)

* cited by examiner

Primary Examiner—Doris Clark

(74) *Attorney, Agent, or Firm*—McCormick, Paulding &
Huber LLP

(**) Term: **14 Years**

(21) Appl. No.: **29/279,789**

(57) **CLAIM**

(22) Filed: **May 8, 2007**

The ornamental design for a flooring support strip, as shown
and described.

(51) **LOC (9) Cl.** **25-01**

(52) **U.S. Cl.** **D25/164**

(58) **Field of Classification Search** D25/136,
D25/164, 55; 52/716.1, 716.8, 718.01, 718.04,
52/717.06, 718.05, 718.06, 318, 290, 287.1,
52/311.1, 311.2, 311.3, 314, 3, 4, 5, 182,
52/183, 188, 179, 181

See application file for complete search history.

DESCRIPTION

FIG. 1 is a top, front, left-hand side perspective view of a
flooring support strip, illustrating a new, original and orna-
mental design.

FIG. 2 is a bottom, front, right-hand side perspective view of
a flooring support strip, illustrating the new, original and
ornamental design.

FIG. 3 is a right-hand side view of a flooring support strip,
illustrating the new, original and ornamental design, the left-
hand side view being a mirror image thereof.

FIG. 4 is a top view of a flooring support strip, illustrating the
new, original and ornamental design.

FIG. 5 is a front view of a flooring support strip, illustrating
the new, original and ornamental design, the rear view being
a mirror image thereof; and,

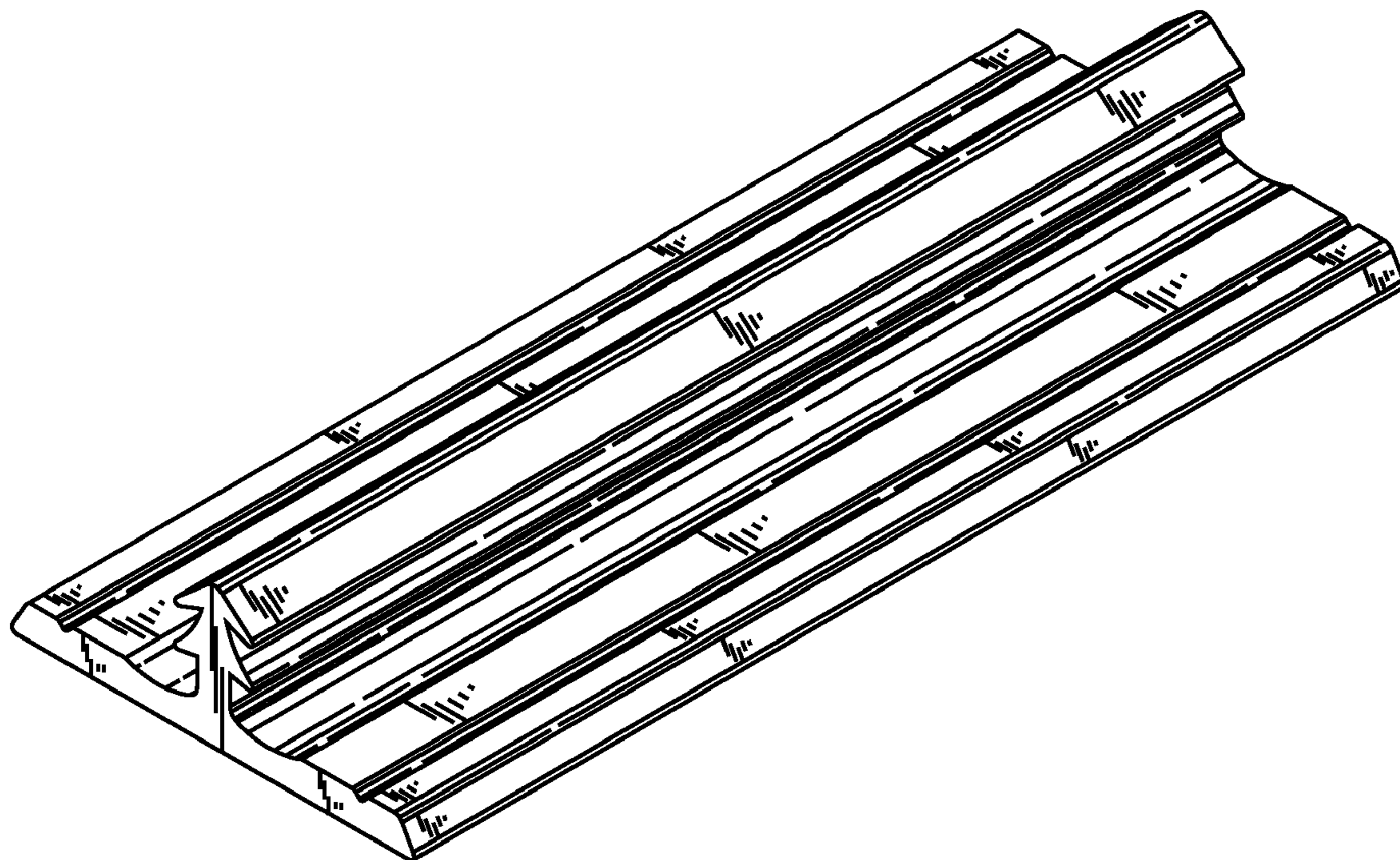
FIG. 6 is a bottom view of a flooring support strip, illustrating
the new, original and ornamental design.

(56) **References Cited**

U.S. PATENT DOCUMENTS

4,893,449	A *	1/1990	Kemper	52/464
4,905,431	A *	3/1990	Davis	52/179
D363,788	S *	10/1995	Caley	D25/119
D364,234	S *	11/1995	Caley	D25/119
5,645,912	A *	7/1997	Nelson et al.	428/67
5,678,380	A *	10/1997	Azzar	52/716.4
5,706,623	A *	1/1998	Brown	52/718.04
6,032,426	A *	3/2000	Tamlyn	52/483.1
6,047,506	A *	4/2000	Kemper	52/179
D463,581	S *	9/2002	Mann	D25/164
6,550,192	B1 *	4/2003	Nelson et al.	52/177

1 Claim, 2 Drawing Sheets



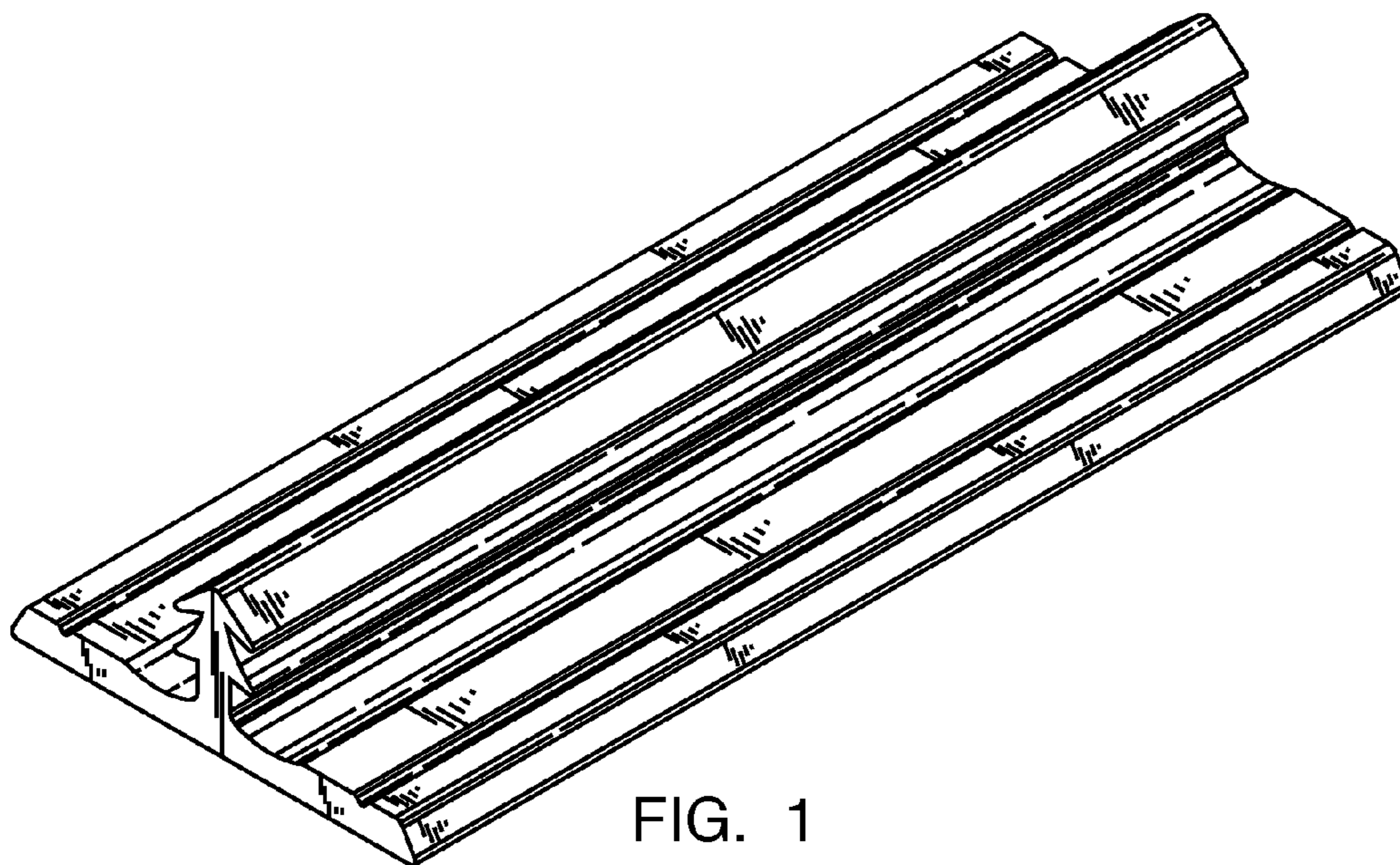


FIG. 1

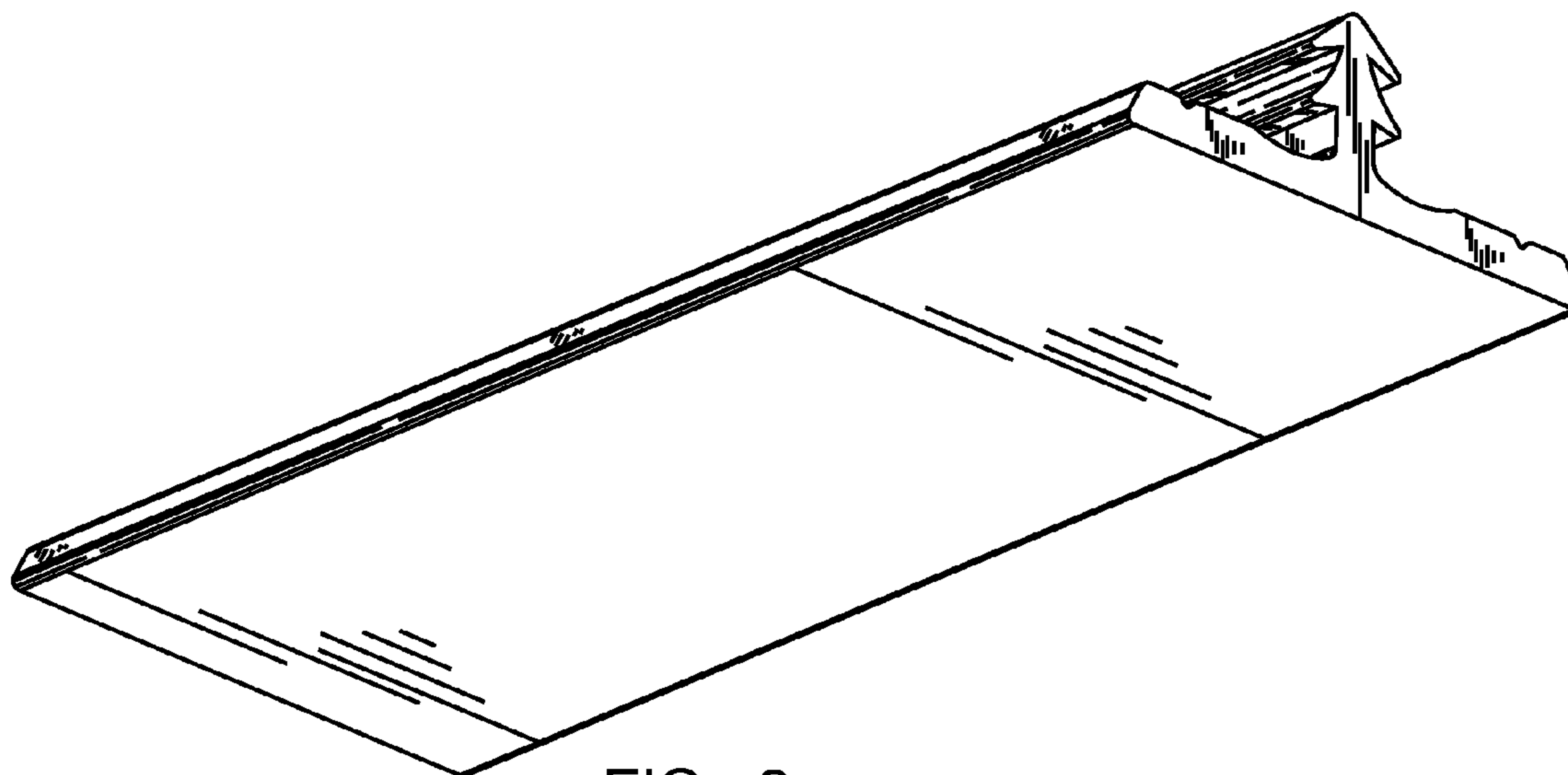


FIG. 2

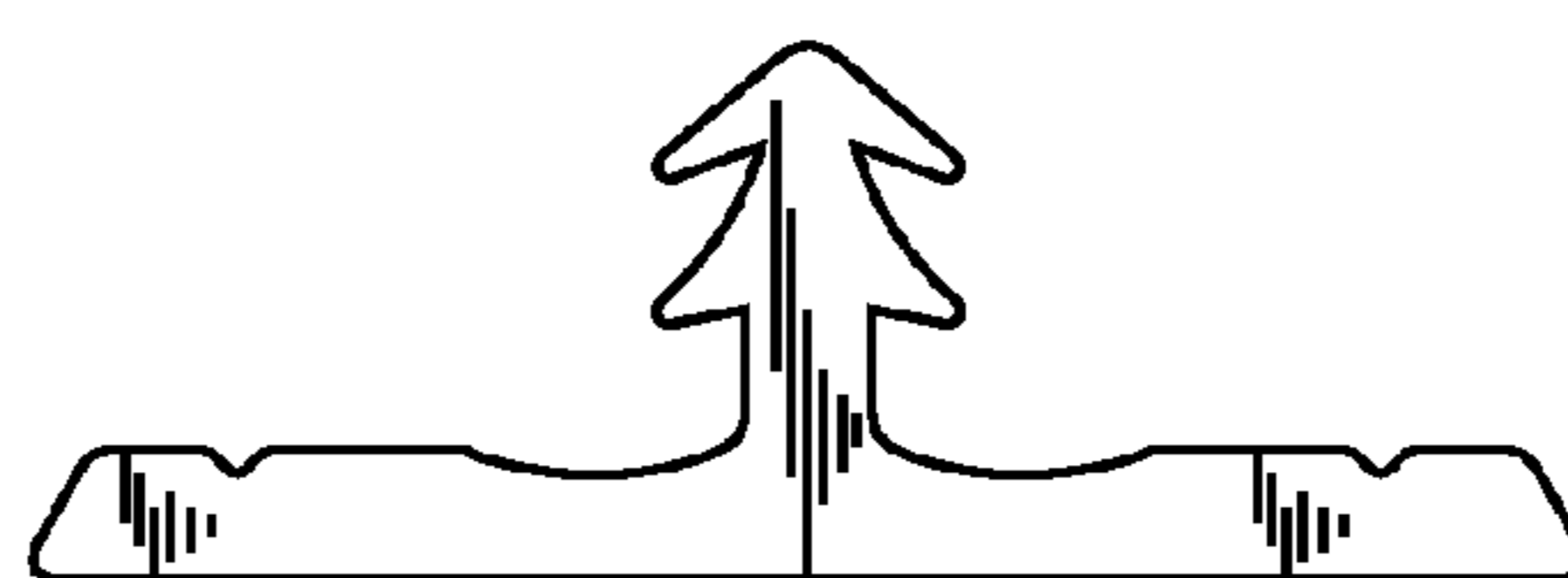


FIG. 3

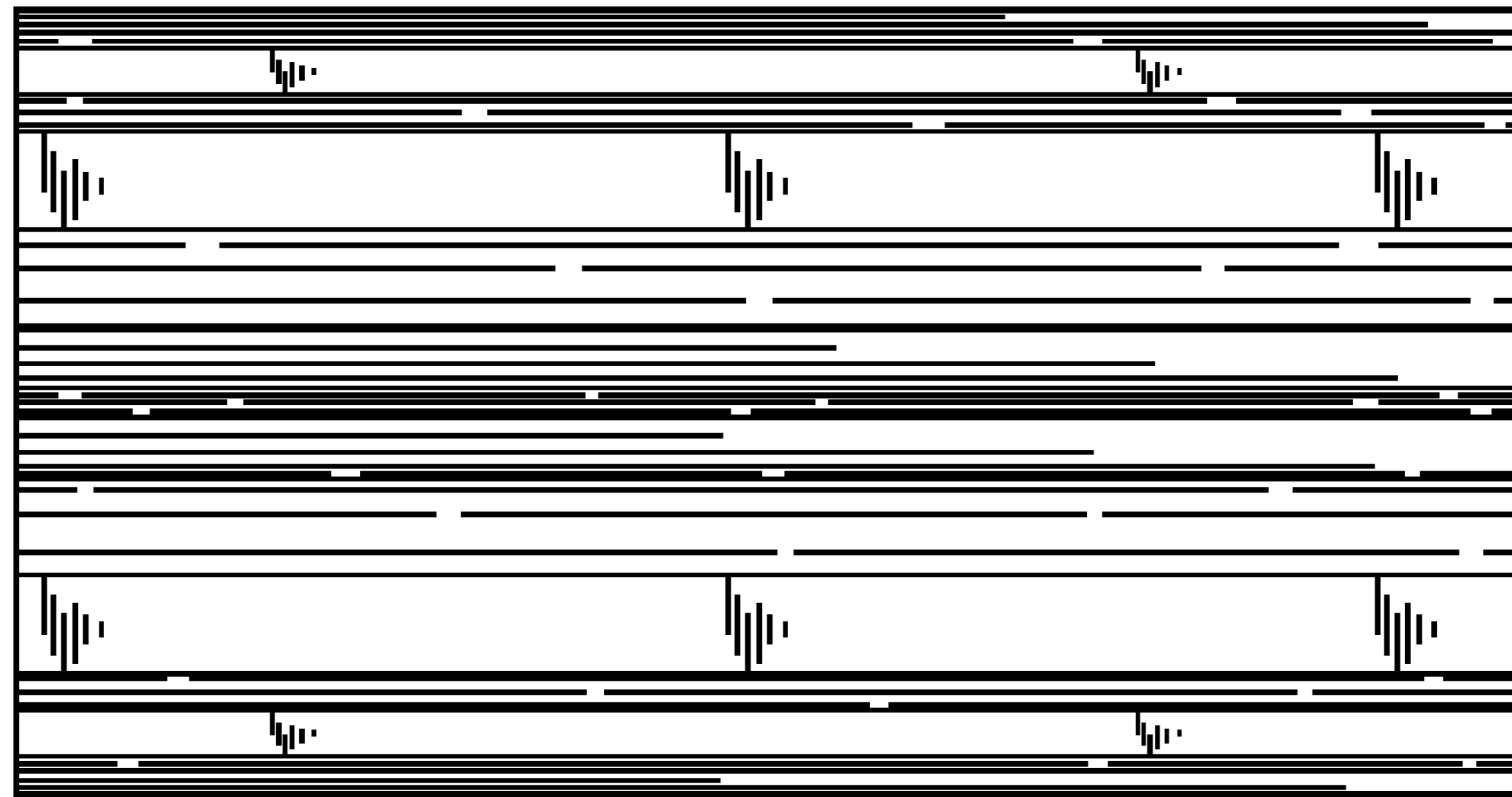


FIG. 4



FIG. 5

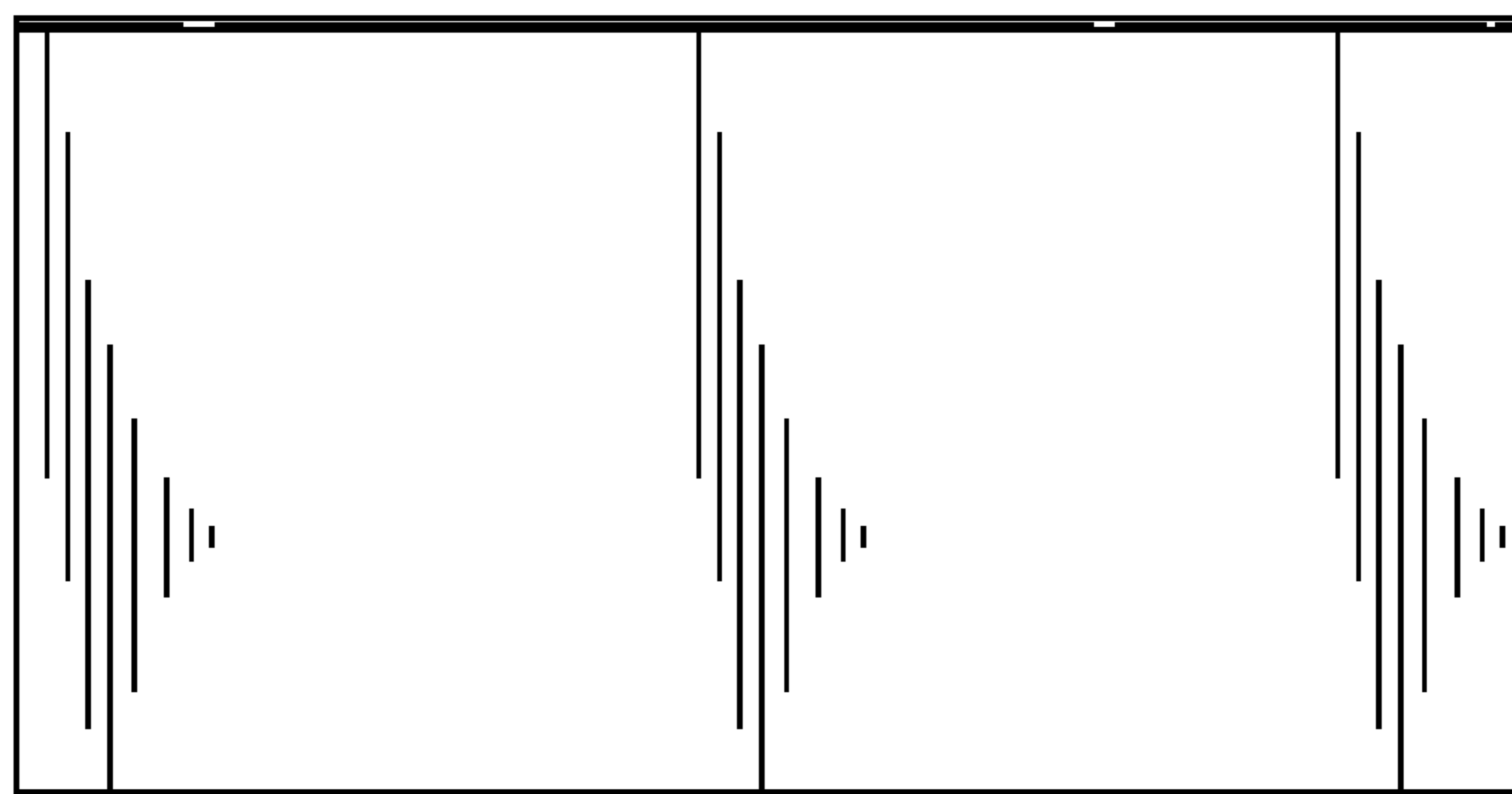


FIG. 6