



US00D621072S

(12) **United States Design Patent**  
**Fickbohm**

(10) **Patent No.:** **US D621,072 S**

(45) **Date of Patent:** **\*\* Aug. 3, 2010**

(54) **PURPLE-TIPPED T-POST**

(76) Inventor: **Todd G. Fickbohm**, 116 Dakota Dr.,  
Ozark, MO (US) 65721

(\*\*) Term: **14 Years**

(21) Appl. No.: **29/352,220**

(22) Filed: **Dec. 17, 2009**

(51) **LOC (9) Cl.** ..... **25-01**

(52) **U.S. Cl.** ..... **D25/119**

(58) **Field of Classification Search** ..... D25/126,  
D25/119; 256/22, 34, 47, 65.01, 19, 21  
See application file for complete search history.

(56) **References Cited**

U.S. PATENT DOCUMENTS

3,266,778	A *	8/1966	Wogerbauer	.....	256/47
D366,121	S *	1/1996	Picard	.....	D25/126
D377,534	S *	1/1997	Bynum	.....	D25/126
D416,335	S	11/1999	Roy		
6,158,919	A	12/2000	Landes		
6,330,998	B1	12/2001	Roy		
6,612,551	B1	9/2003	Roy		
6,695,293	B1 *	2/2004	Kamarad et al.	.....	256/48
D546,973	S	7/2007	Halderman		
D553,761	S *	10/2007	Antonic	.....	D25/122
D572,374	S *	7/2008	Gibbs	.....	D25/119

7,500,653 B1 3/2009 Hartman

\* cited by examiner

*Primary Examiner*—Doris Clark

(74) *Attorney, Agent, or Firm*—QuickPatents, Inc.; Kevin Prince

(57) **CLAIM**

What is claimed is the ornamental design for a purple-tipped T-post, as shown and described.

**DESCRIPTION**

FIG. 1 is a perspective view of a purple-tipped T-post, showing the new design;

FIG. 2 is a front elevational view thereof;

FIG. 3 is a rear elevational view thereof;

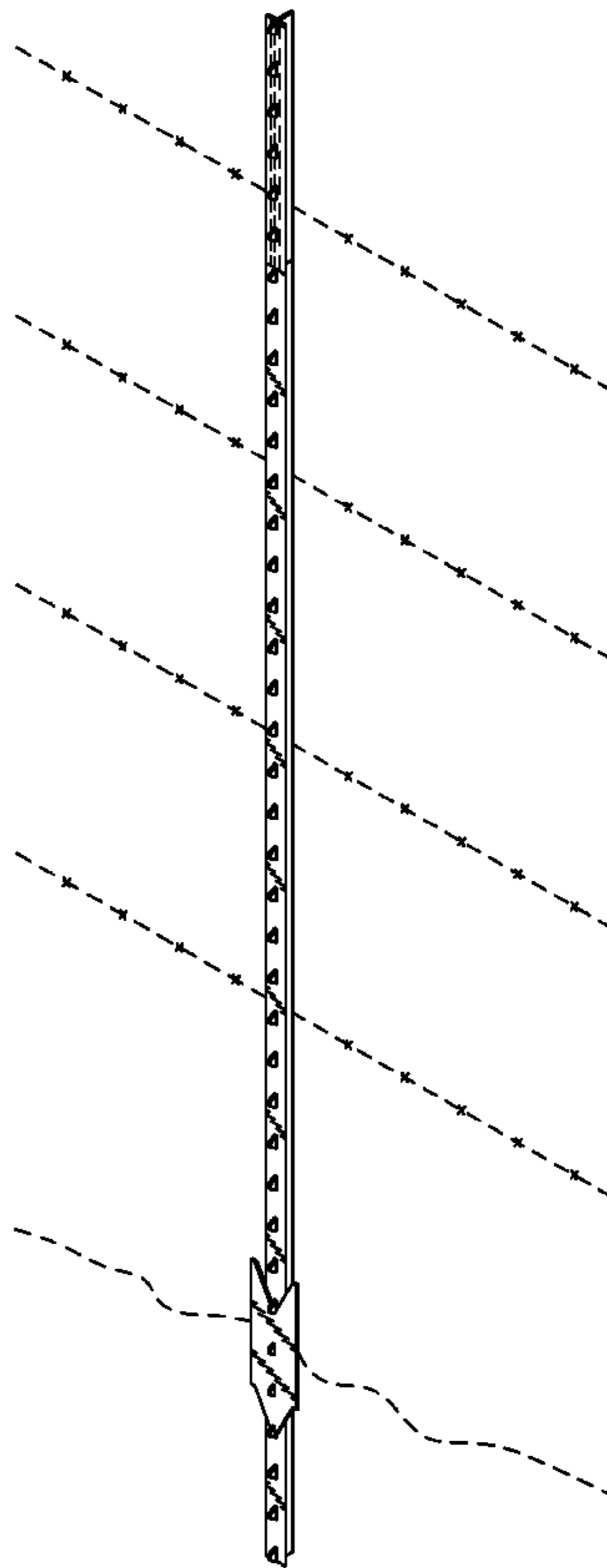
FIG. 4 is a right-side elevational view thereof, the left-side elevational view being a mirror image thereof;

FIG. 5 is an enlarged top plan view thereof, the bottom plan view being a mirror image thereof; and,

FIG. 6 is a partial, enlarged front elevational view thereof.

The broken lines showing barbed wire and a ground surface in FIG. 1 are included for the purpose of illustrating the invention in use, and form no part of the claimed design. The shading at the tip of the T-post represents purple coloring thereof.

**1 Claim, 2 Drawing Sheets**



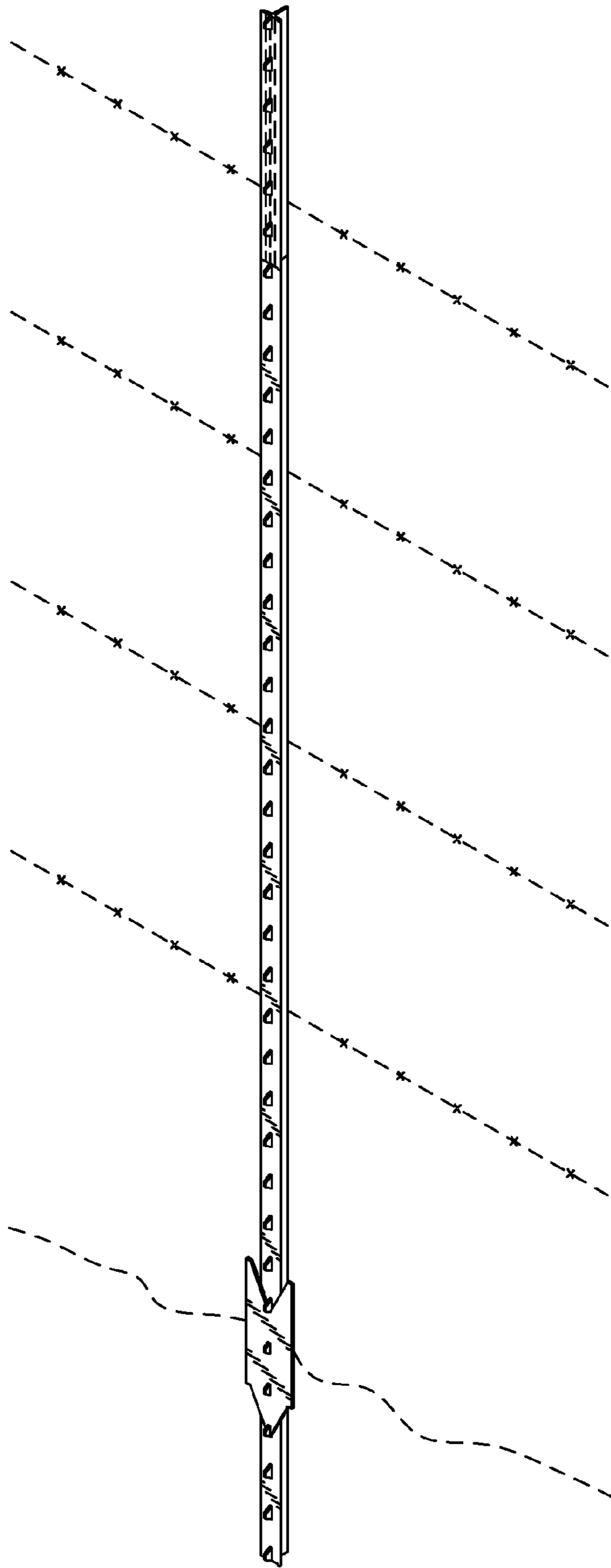


FIG. 1

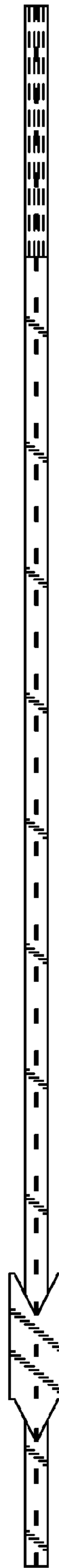


FIG. 2



FIG. 3

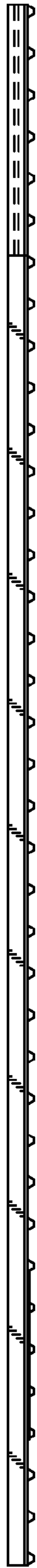


FIG. 4



FIG. 5

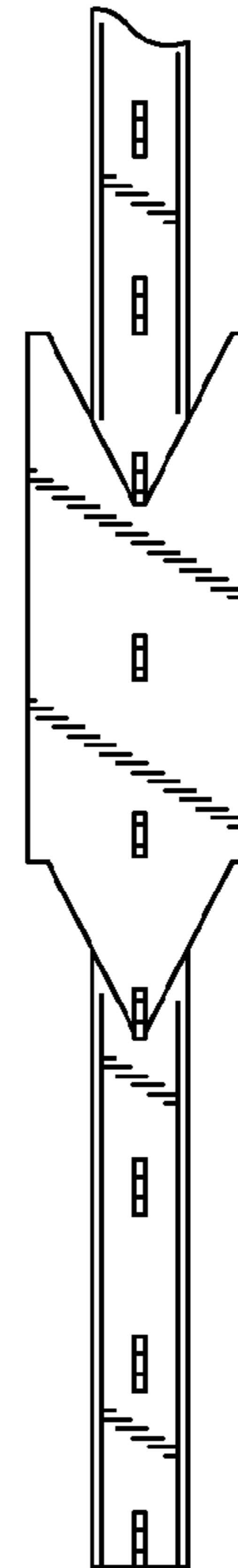


FIG. 6