

US00D621070S

(12) **United States Design Patent**
MacDonald et al.

(10) **Patent No.:** **US D621,070 S**
(45) **Date of Patent:** **** Aug. 3, 2010**

(54) **WALL BLOCK BODY**

(75) Inventors: **Robert A. MacDonald**, Plymouth, MN (US); **David M. LaCroix**, St. Paul, MN (US)

(73) Assignee: **Keystone Retaining Wall Systems, Inc.**, Bloomington, MN (US)

(**) Term: **14 Years**

(21) Appl. No.: **29/335,219**

(22) Filed: **Apr. 10, 2009**

Related U.S. Application Data

(63) Continuation of application No. 29/326,373, filed on Oct. 16, 2008.

(51) **LOC (9) Cl.** **25-01**
(52) **U.S. Cl.** **D25/113**
(58) **Field of Classification Search** D25/102,
D25/112-118, 119, 164; D21/484-491,
D21/499-502; 405/16, 17, 33, 35, 284, 286;
52/503-505, 574, 575, 596-605, 609-612;
404/29-31, 34

See application file for complete search history.

(56) **References Cited**

U.S. PATENT DOCUMENTS

781,413 A * 1/1905 Fisher 52/604
1,344,880 A 6/1920 Goe
1,419,805 A * 6/1922 Bigler 52/436
4,909,717 A * 3/1990 Pardo 425/138
5,017,049 A * 5/1991 Sievert 405/284
D334,815 S * 4/1993 Bungler D25/113
D363,787 S * 10/1995 Powell D25/118
D429,004 S * 8/2000 Strand et al. D25/113
D447,045 S * 8/2001 Hundley D25/114
D458,693 S * 6/2002 Sievert D25/113
D530,830 S * 10/2006 Collison et al. D25/113
2004/0218985 A1 11/2004 Klettenberg et al.
2005/0120670 A1 6/2005 Ness et al.

2007/0193181 A1 8/2007 Klettenberg et al.

FOREIGN PATENT DOCUMENTS

WO WO 2009/052302 A2 4/2009

OTHER PUBLICATIONS

Jun. 15, 2009 International Search Report and Written Opinion for PCT Application Serial No. PCT/US2008/080188 (19 pages).

* cited by examiner

Primary Examiner—T. Chase Nelson

Assistant Examiner—Anhdao Doan

(74) *Attorney, Agent, or Firm*—Popovich, Wiles & O'Connell, P.A.

(57) **CLAIM**

The ornamental design for a wall block body, as shown and described.

DESCRIPTION

FIG. 1 is a front bottom perspective view of a first embodiment of a wall block body according to my new design.

FIG. 2 is a back bottom perspective view of the wall block body of FIG. 1.

FIG. 3 is a bottom plan view of the wall block body of FIG. 1.

FIG. 4 is a top plan view of the wall block body of FIG. 1.

FIG. 5 is a front plan view of the wall block body of FIG. 1.

FIG. 6 is a back plan view of the wall block body of FIG. 1.

FIG. 7 is a left side plan view of the wall block body of FIG. 1.

FIG. 8 is a right side plan view of the wall block body of FIG. 1.

FIG. 9 is a front bottom perspective view of a second embodiment of a wall block body according to my new design.

FIG. 10 is a back bottom perspective view of the wall block body of FIG. 9.

FIG. 11 is a bottom plan view of the wall block body of FIG. 9.

FIG. 12 is a top plan view of the wall block body of FIG. 9.

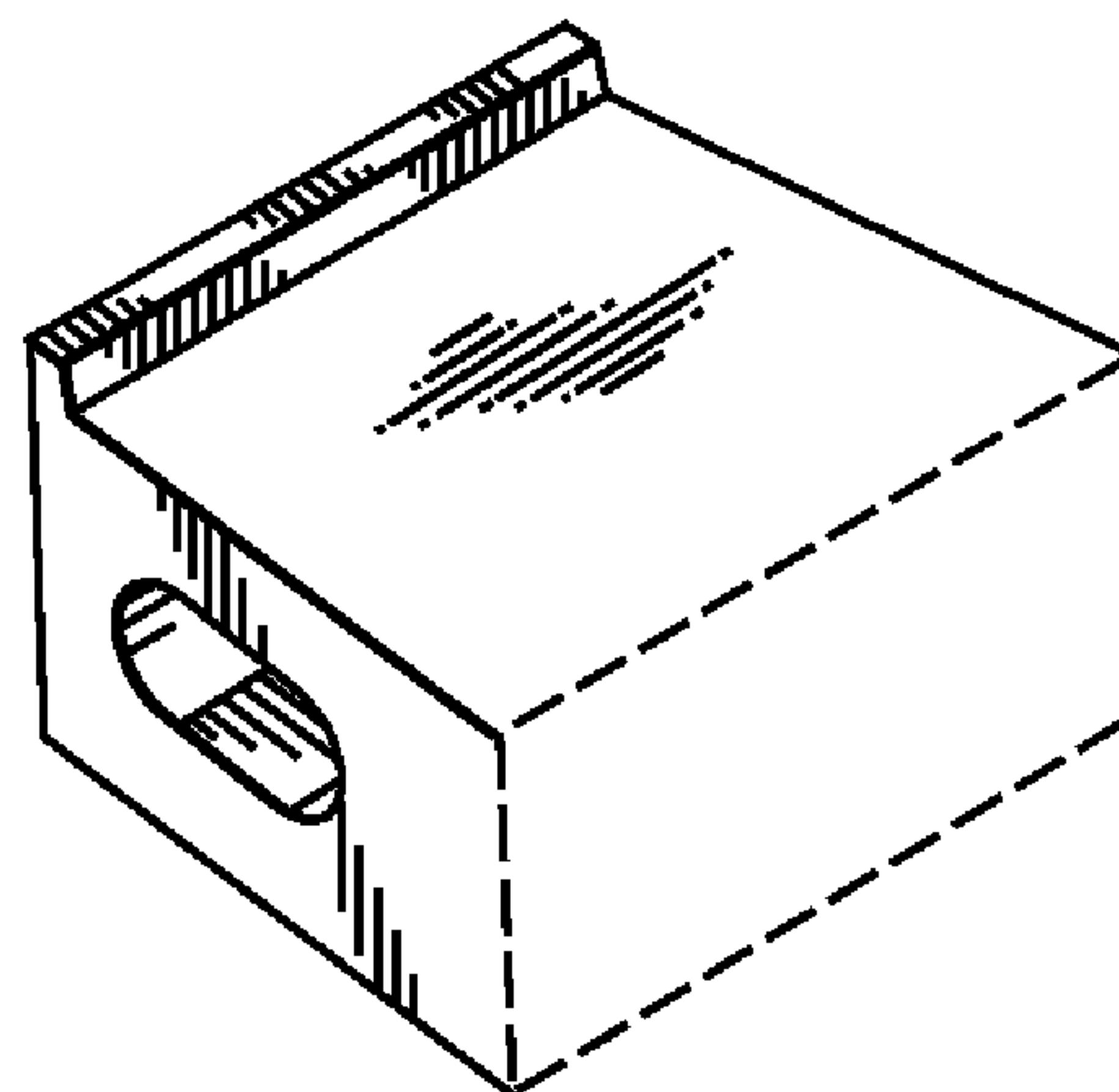
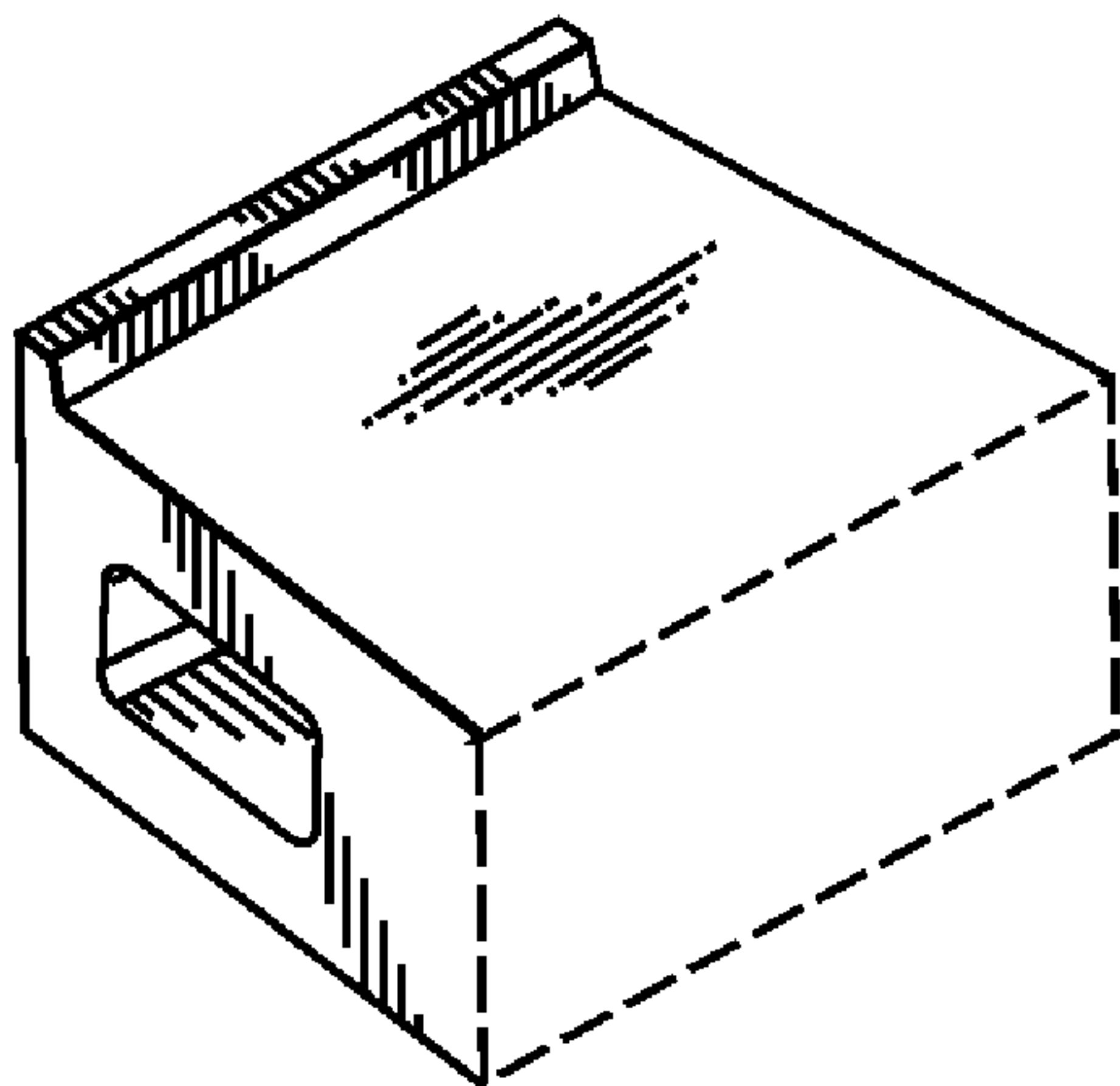


FIG. 13 is a front plan view of the wall block body of FIG. 9.

FIG. 14 is a back plan view of the wall block body of FIG. 9.

FIG. 15 is a left side plan view of the wall block body of FIG. 9.

FIG. 16 is a right side plan view of the wall block body of FIG. 9.

FIG. 17 is a front bottom perspective view of a third embodiment of a wall block body according to my new design.

FIG. 18 is a back bottom perspective view of the wall block body of FIG. 17.

FIG. 19 is a bottom plan view of the wall block body of FIG. 17.

FIG. 20 is a top plan view of the wall block body of FIG. 17.

FIG. 21 is a front plan view of the wall block body of FIG. 17.

FIG. 22 is a back plan view of the wall block body of FIG. 17.

FIG. 23 is a left side plan view of the wall block body of FIG. 17.

FIG. 24 is a right side plan view of the wall block body of FIG. 17.

FIG. 25 is a front bottom perspective view of a fourth embodiment of a wall block body according to my new design.

FIG. 26 is a back bottom perspective view of the wall block body of FIG. 25.

FIG. 27 is a bottom plan view of the wall block body of FIG. 25.

FIG. 28 is a top plan view of the wall block body of FIG. 25.

FIG. 29 is a front plan view of the wall block body of FIG. 25.

FIG. 30 is a back plan view of the wall block body of FIG. 25.

FIG. 31 is a left side plan view of the wall block body of FIG. 25; and,

FIG. 32 is a right side plan view of the wall block body of FIG. 25.

The broken lines shown in the drawings are for illustrative purposes only and form no part of the claimed design.

1 Claim, 4 Drawing Sheets

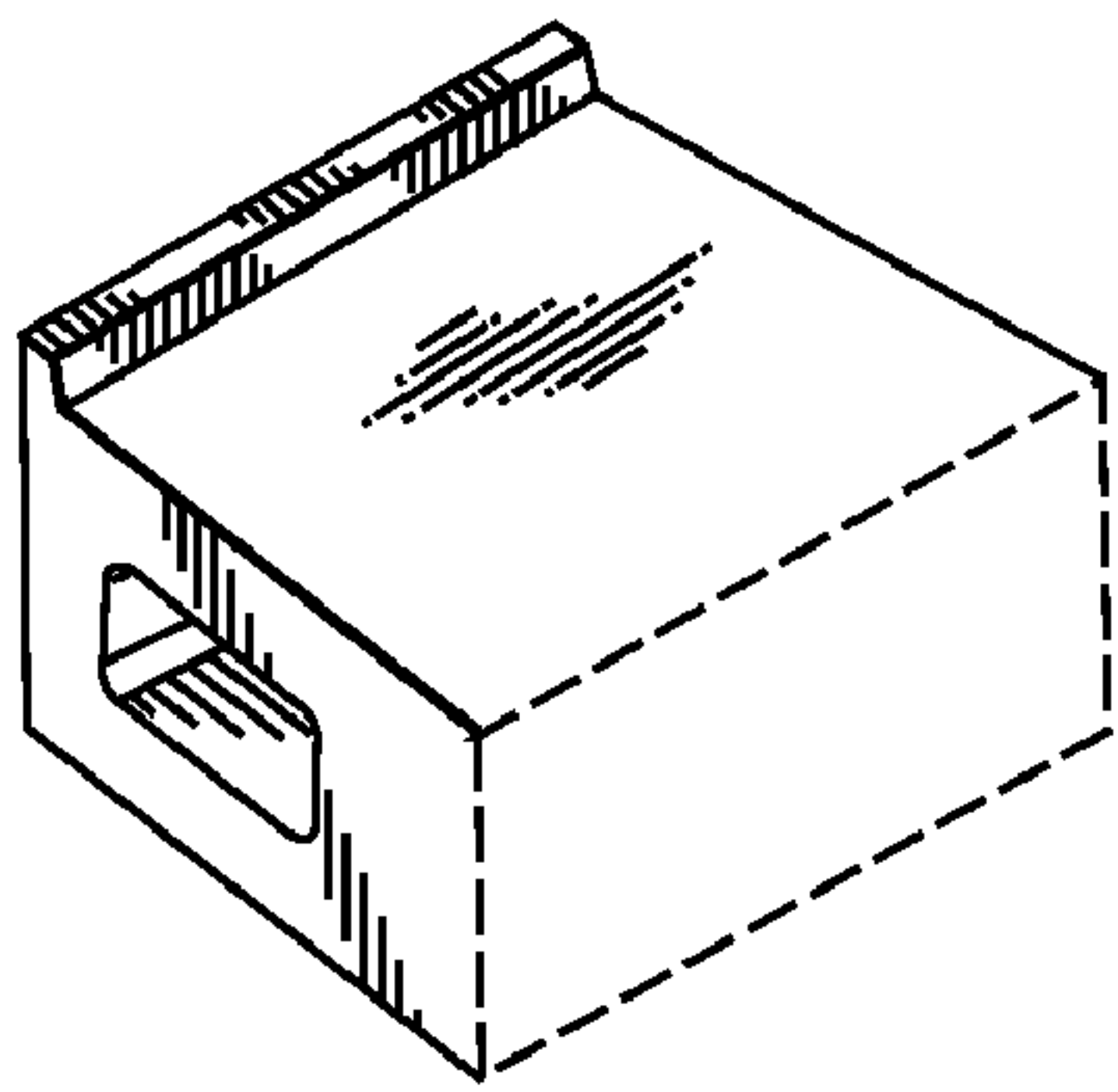


FIG. 1

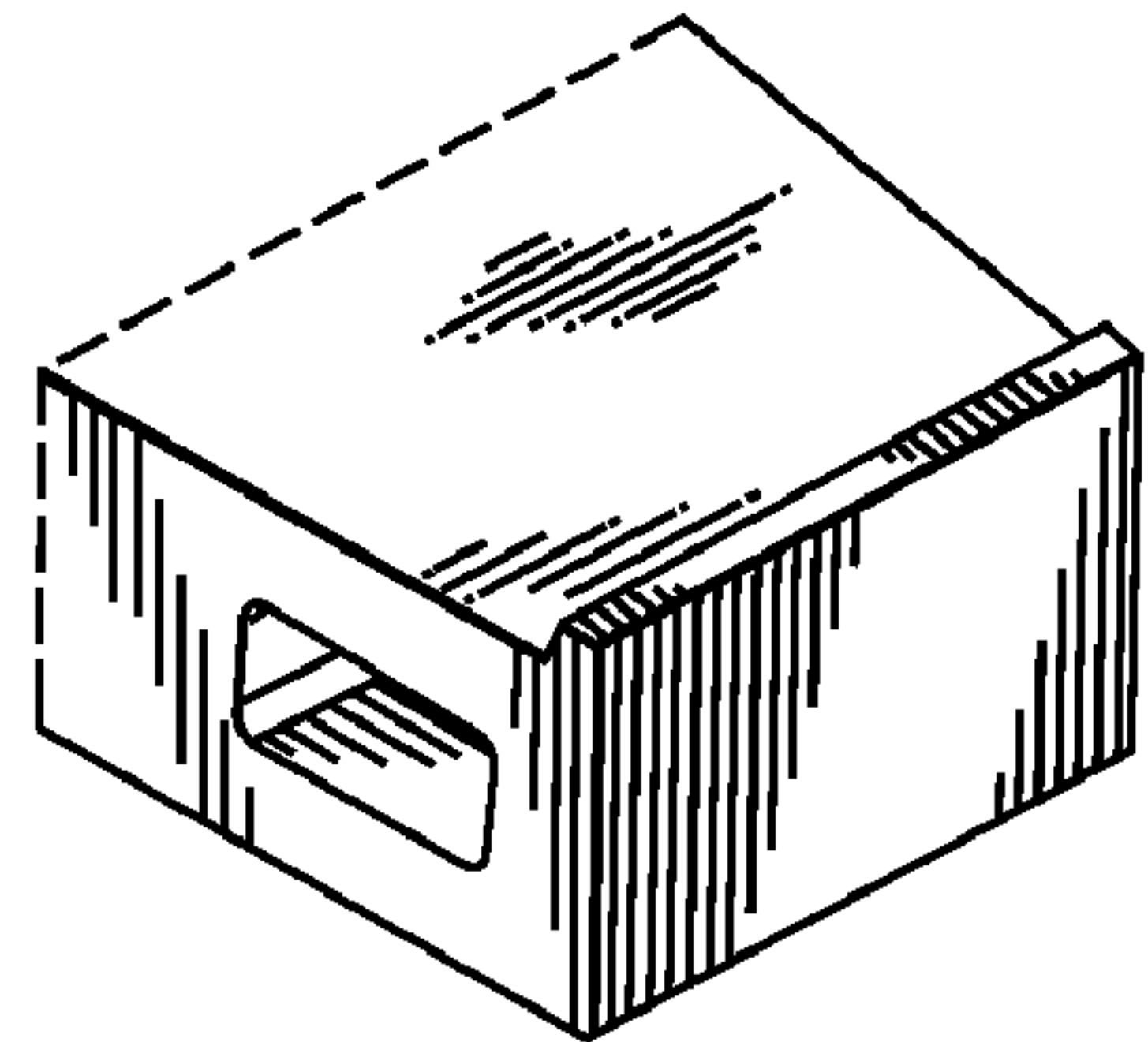


FIG. 2

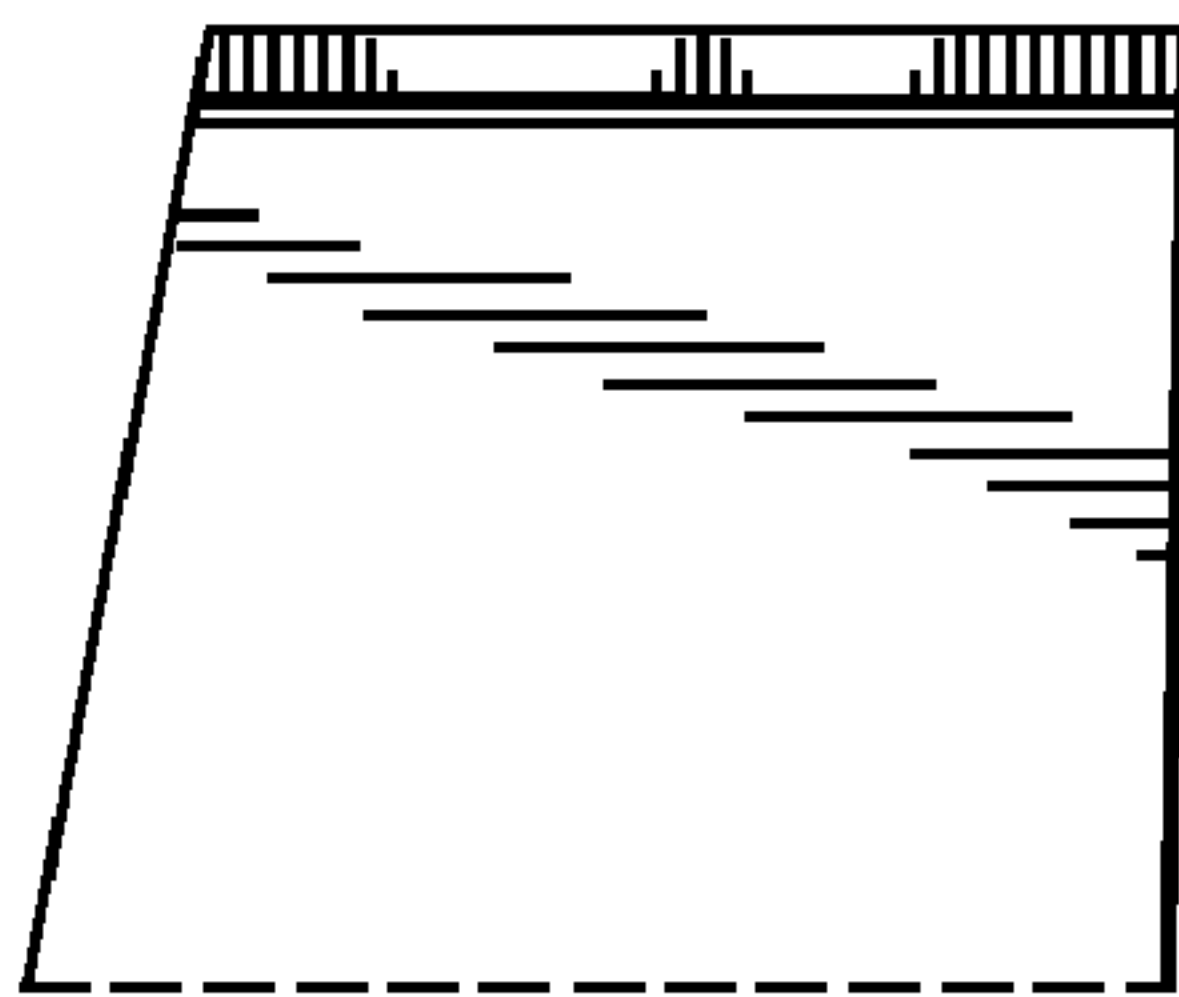


FIG. 3

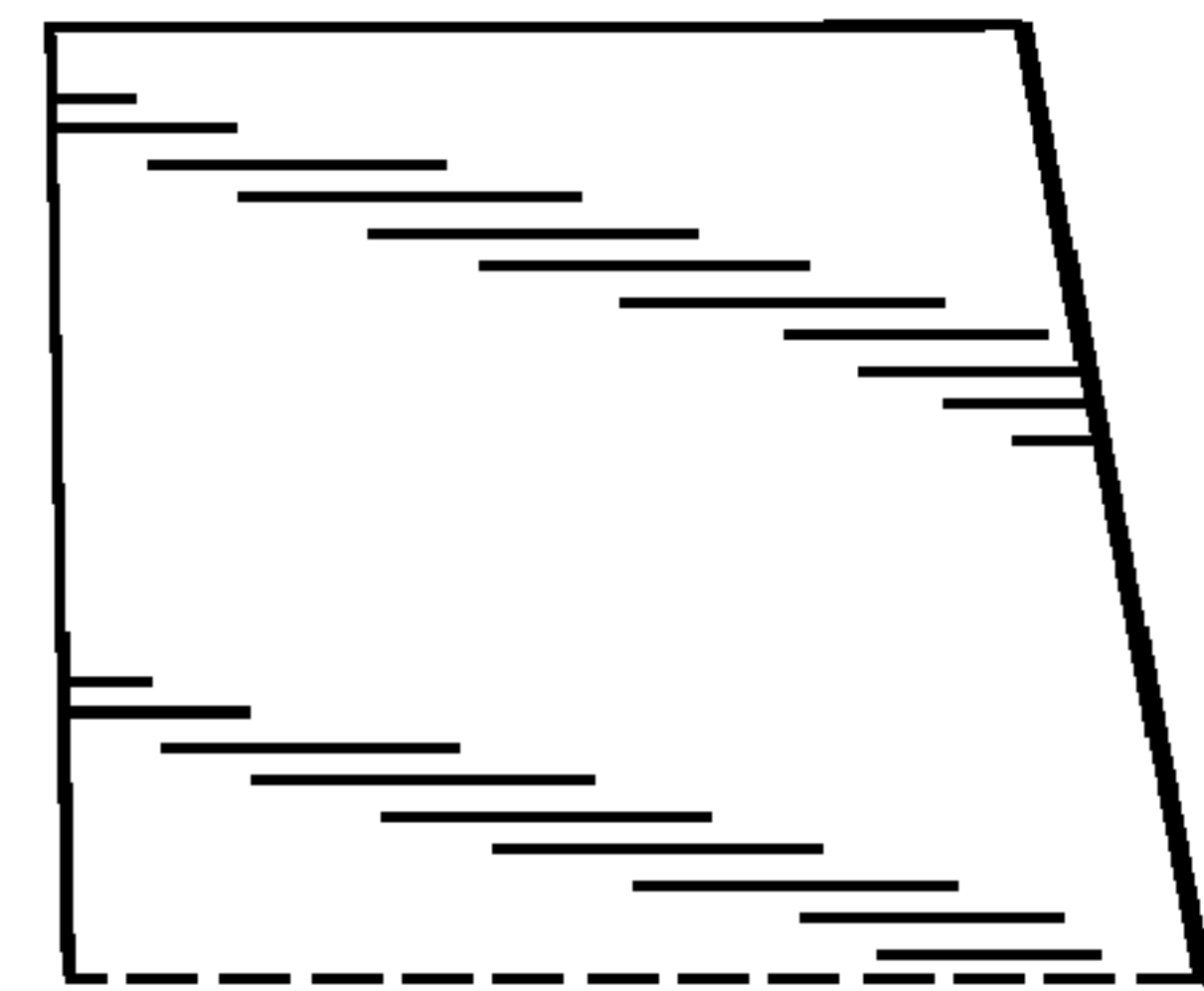


FIG. 4



FIG. 5

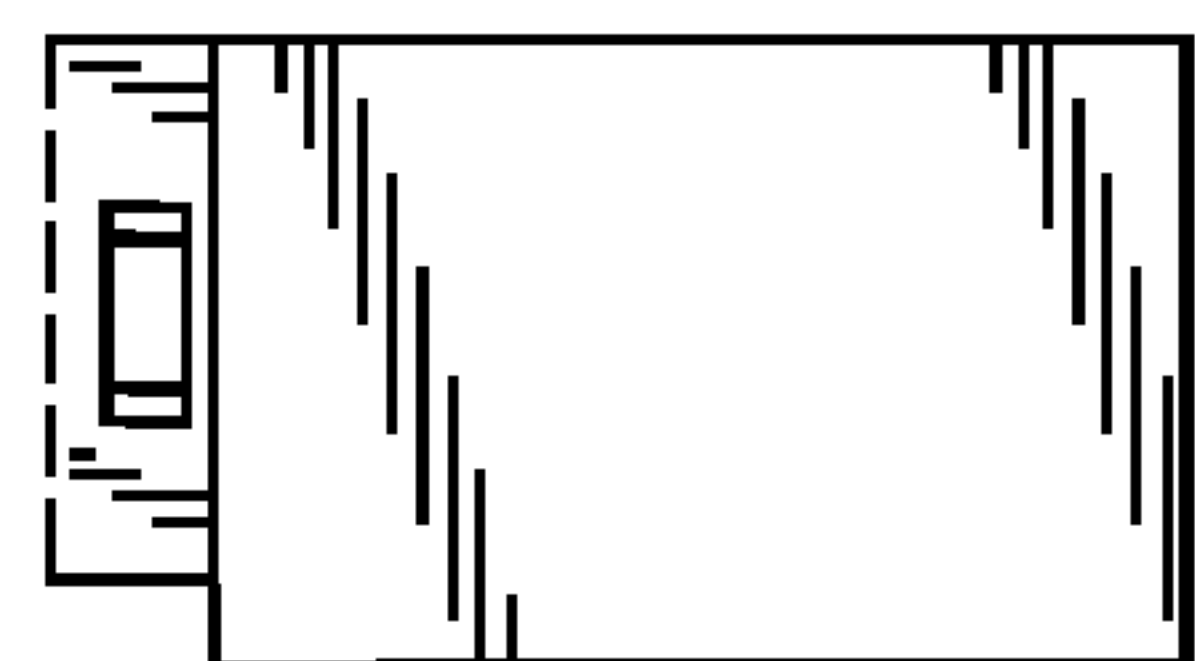


FIG. 6

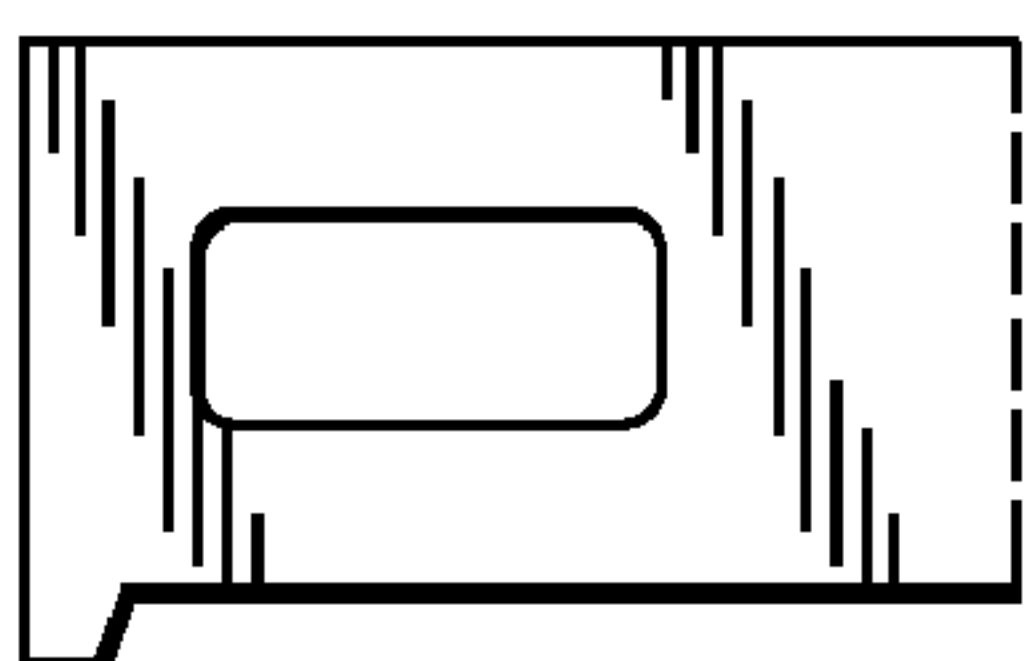


FIG. 7

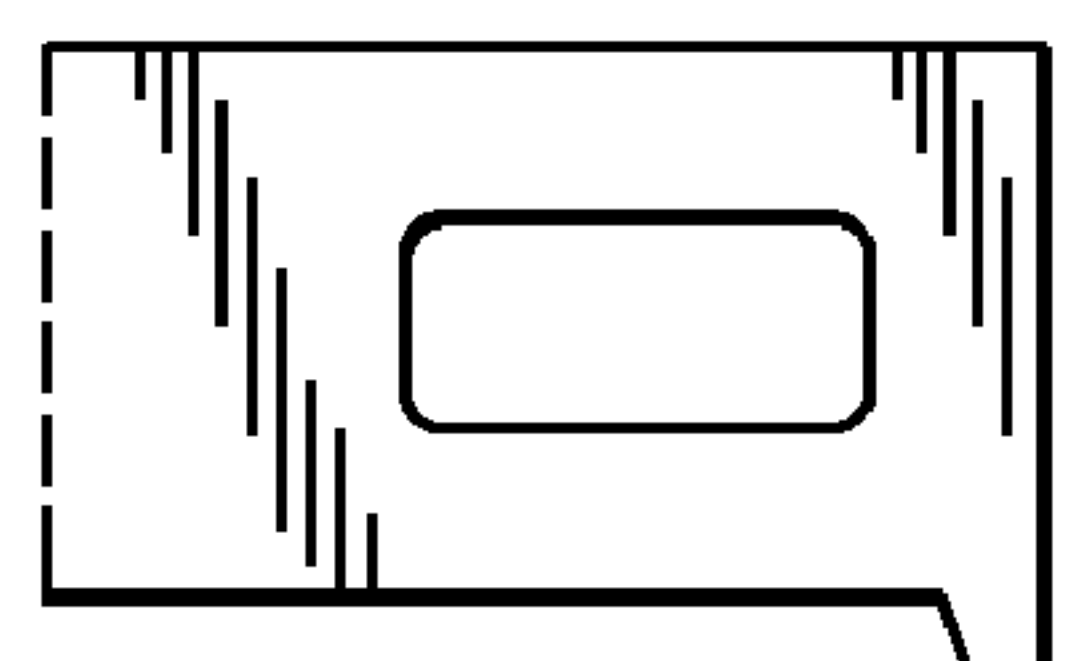


FIG. 8

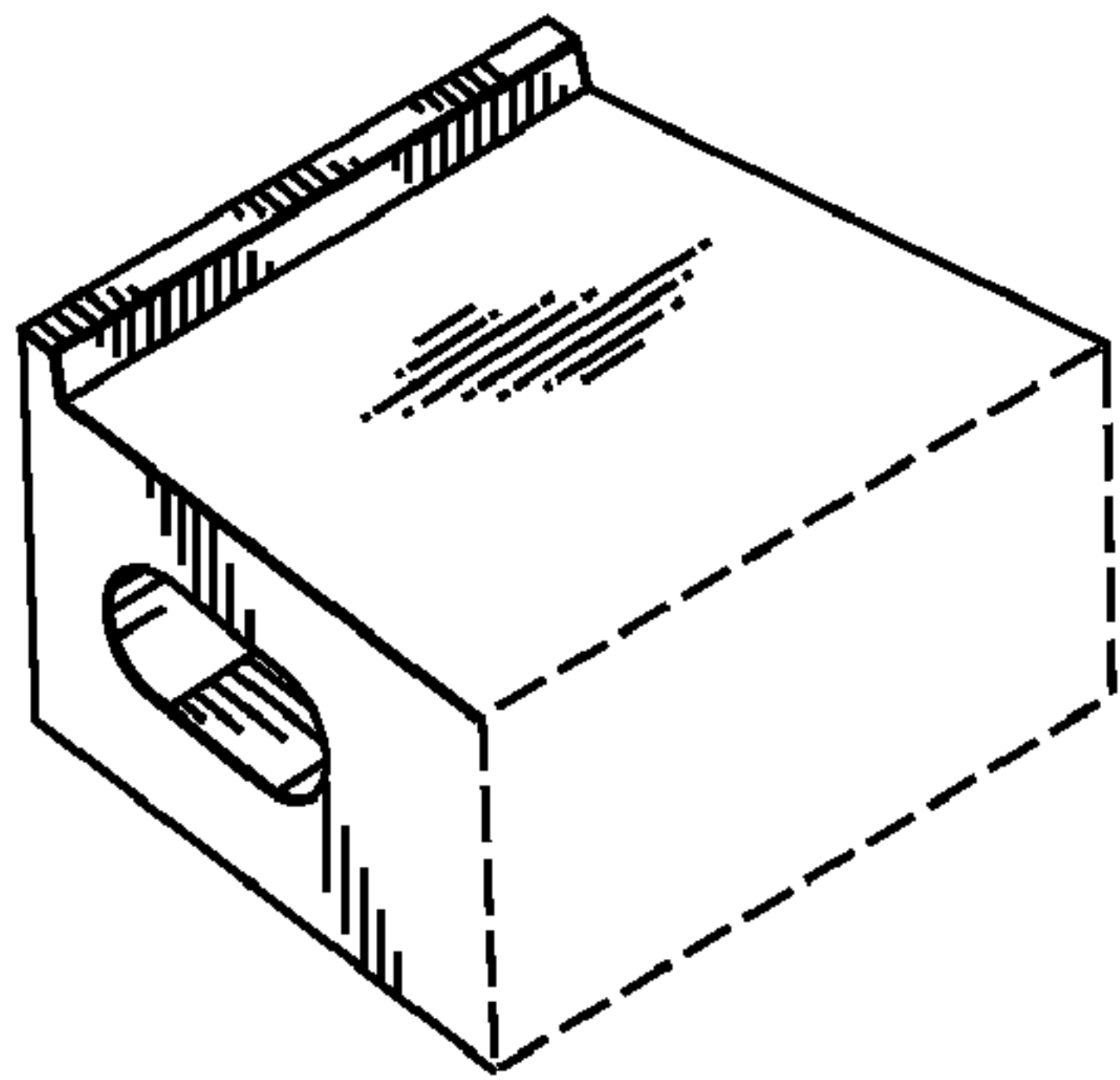


FIG. 9

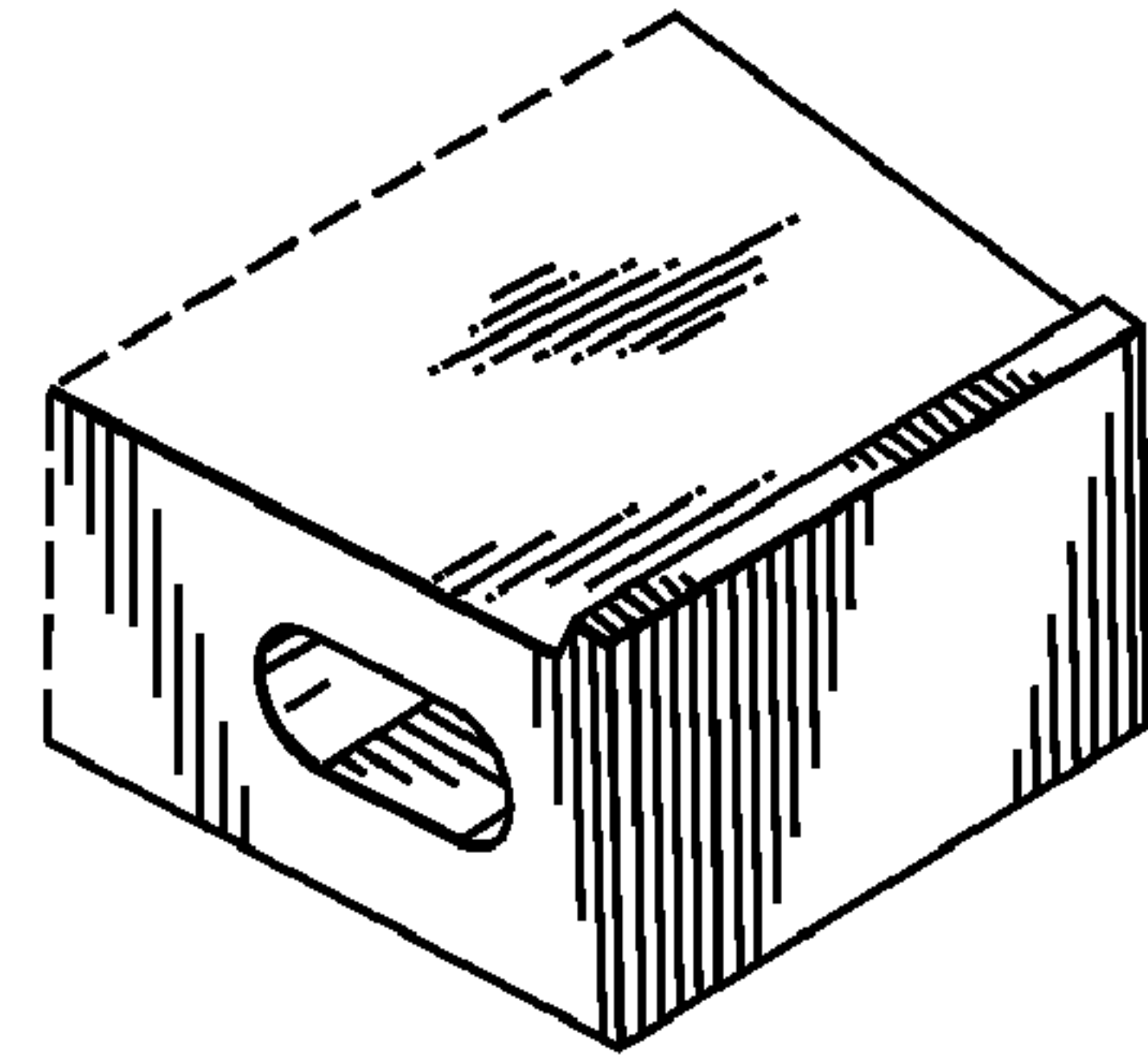


FIG. 10

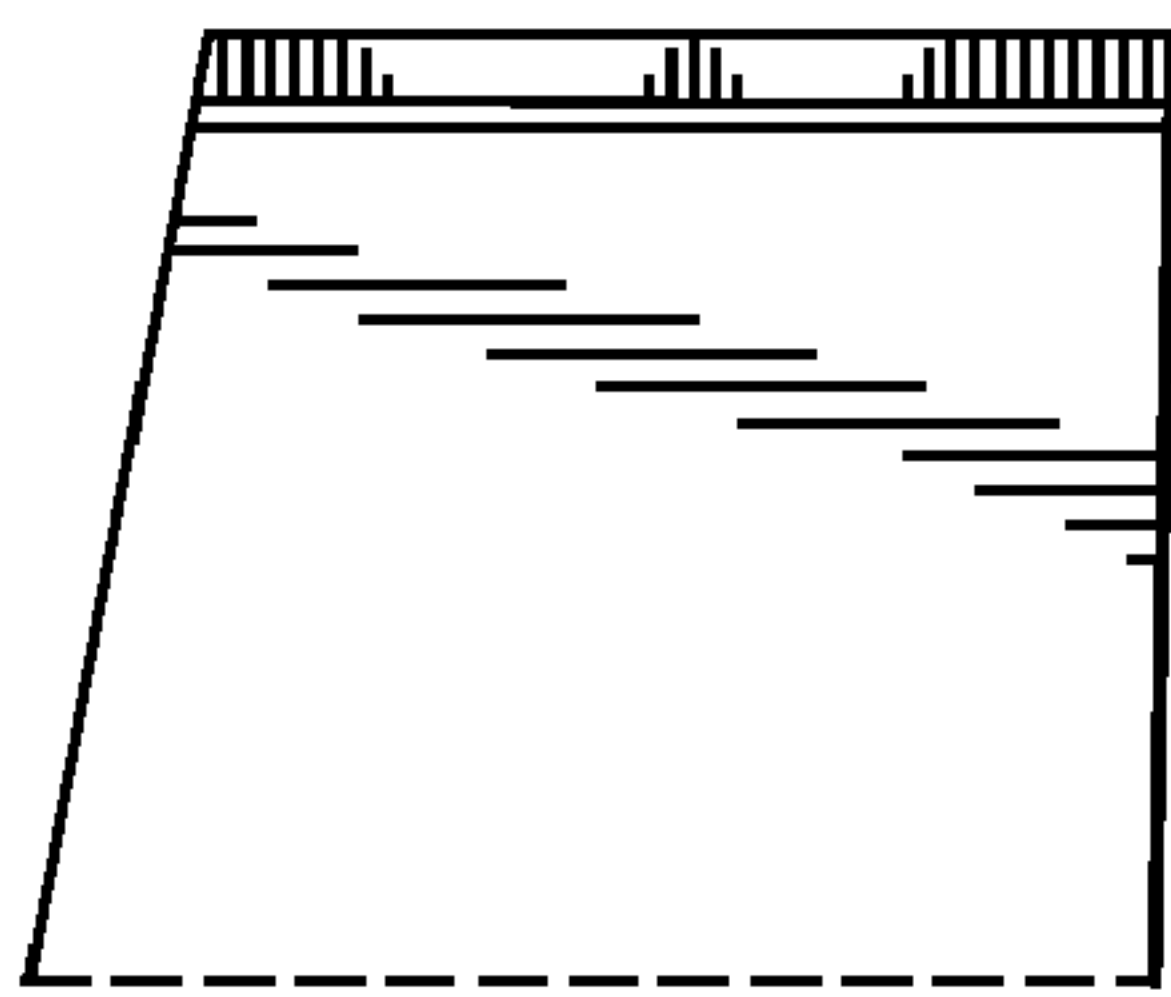


FIG. 11

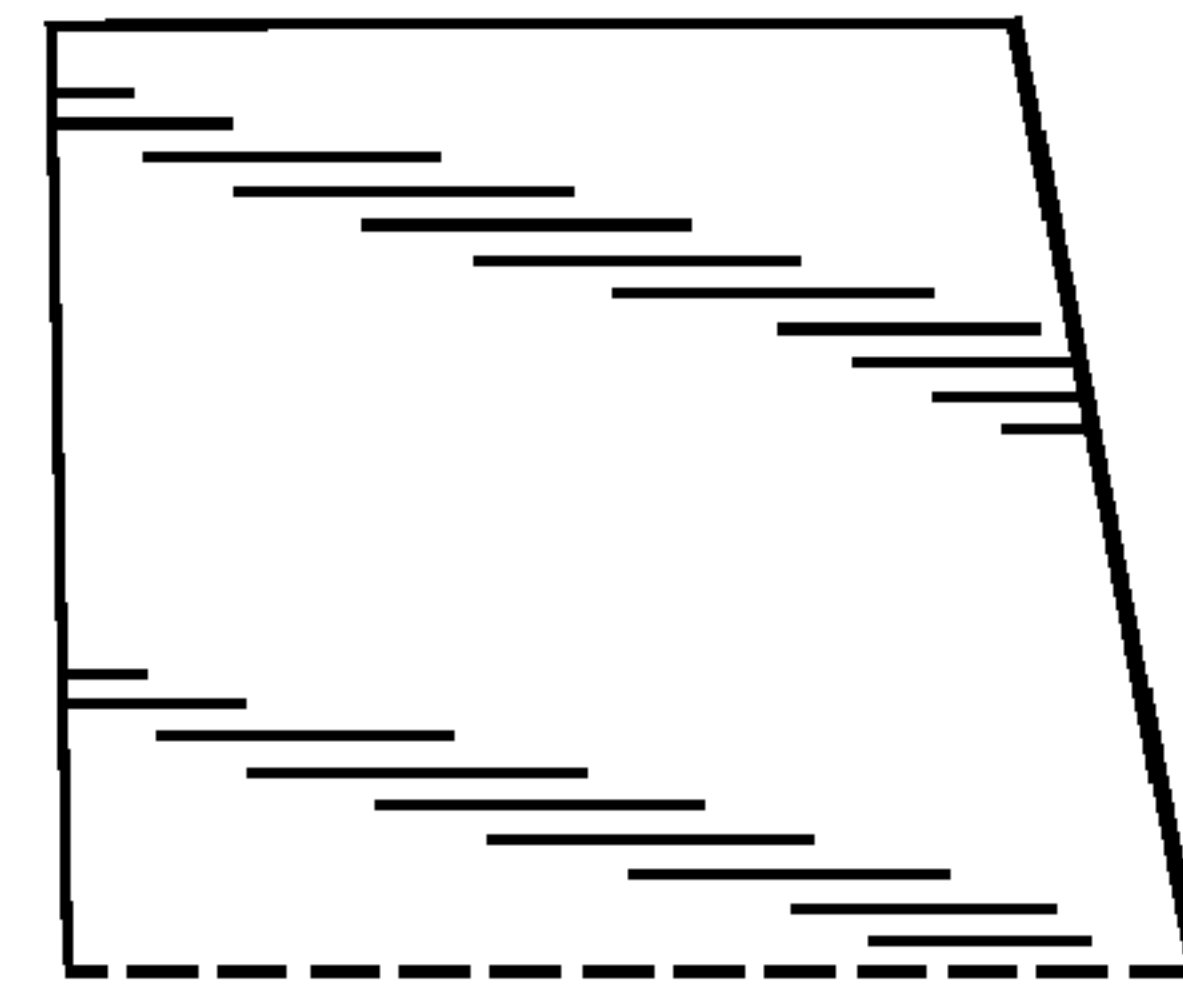


FIG. 12



FIG. 13

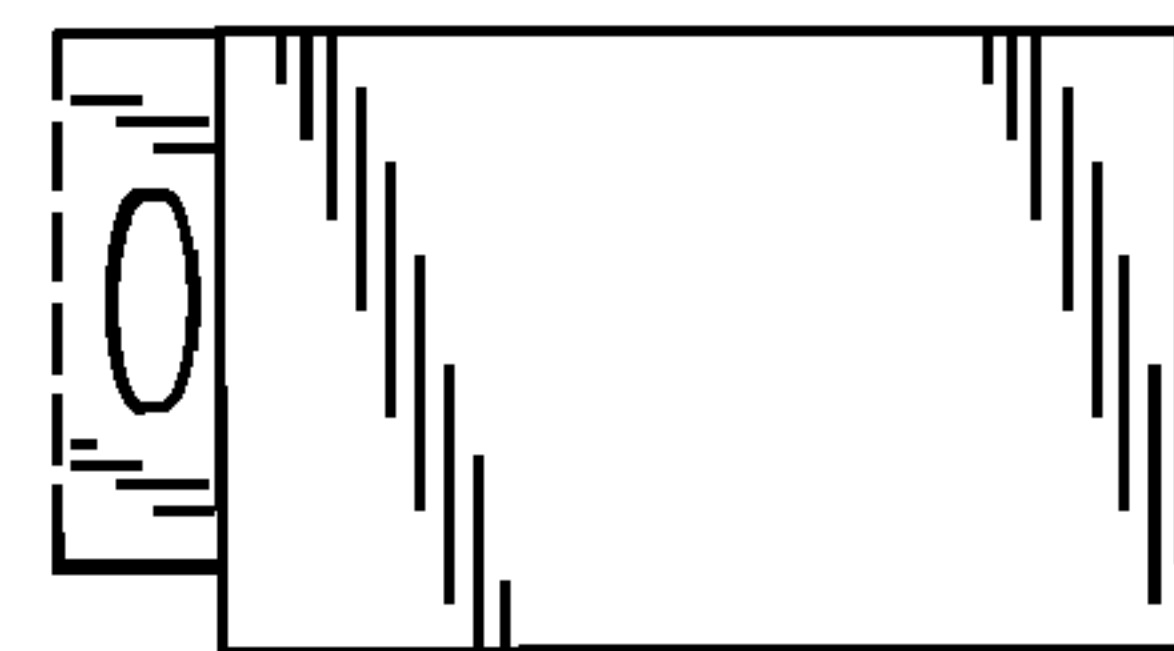


FIG. 14

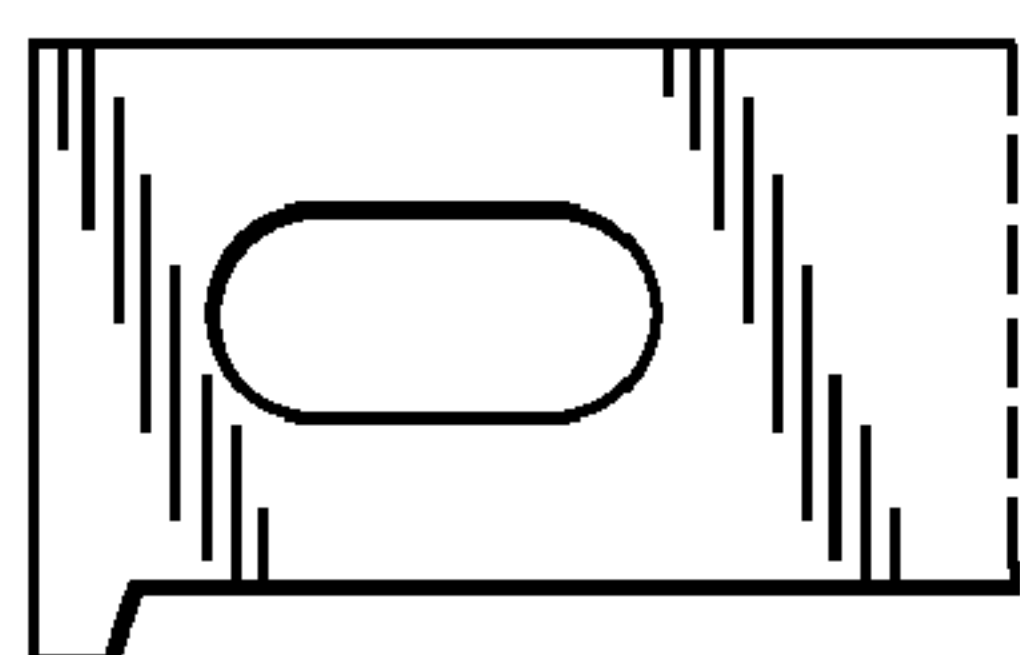


FIG. 15

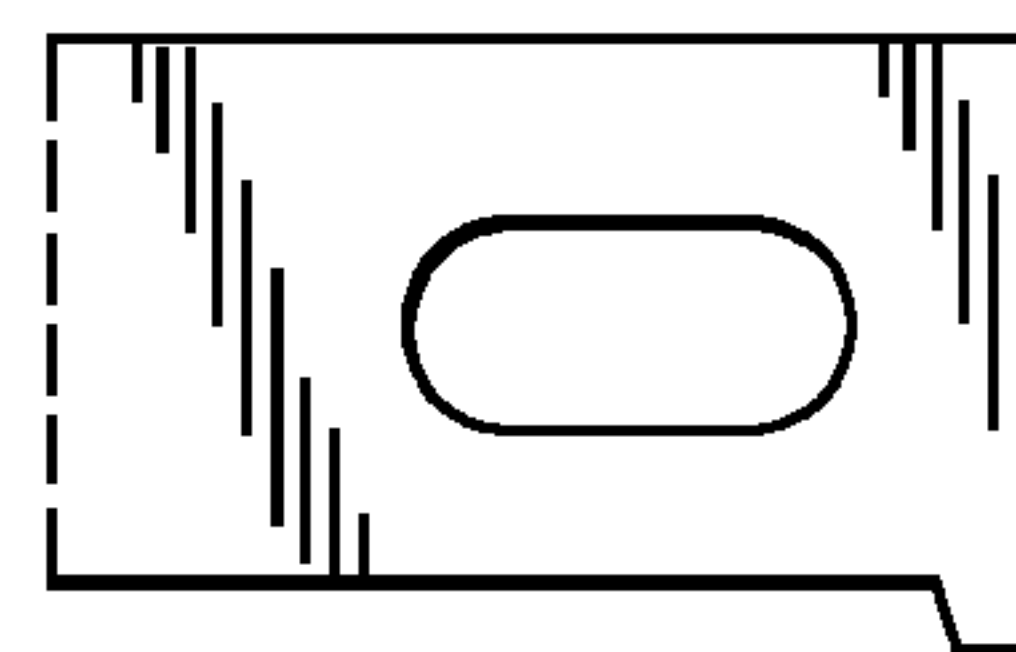


FIG. 16

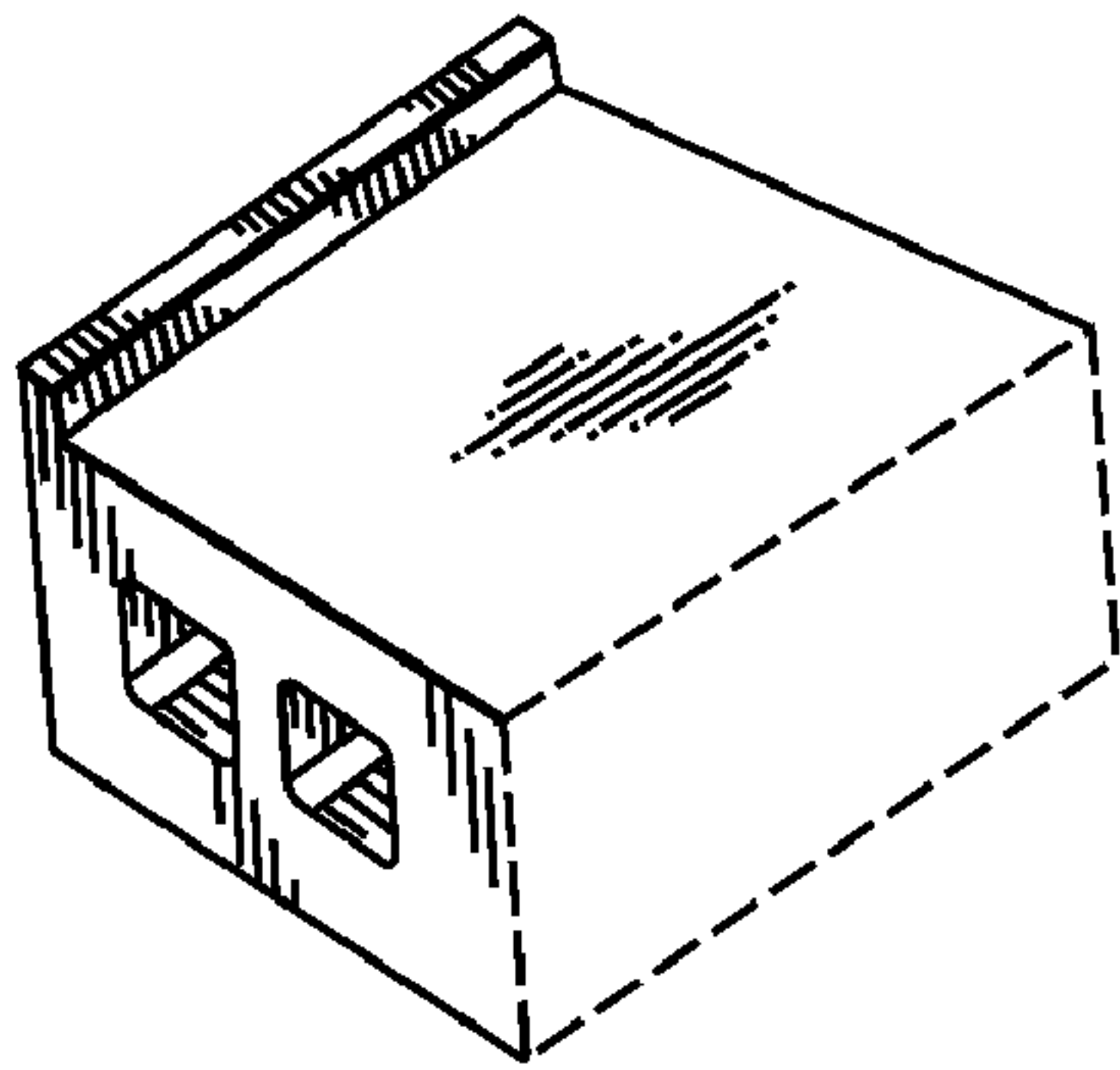


FIG. 17

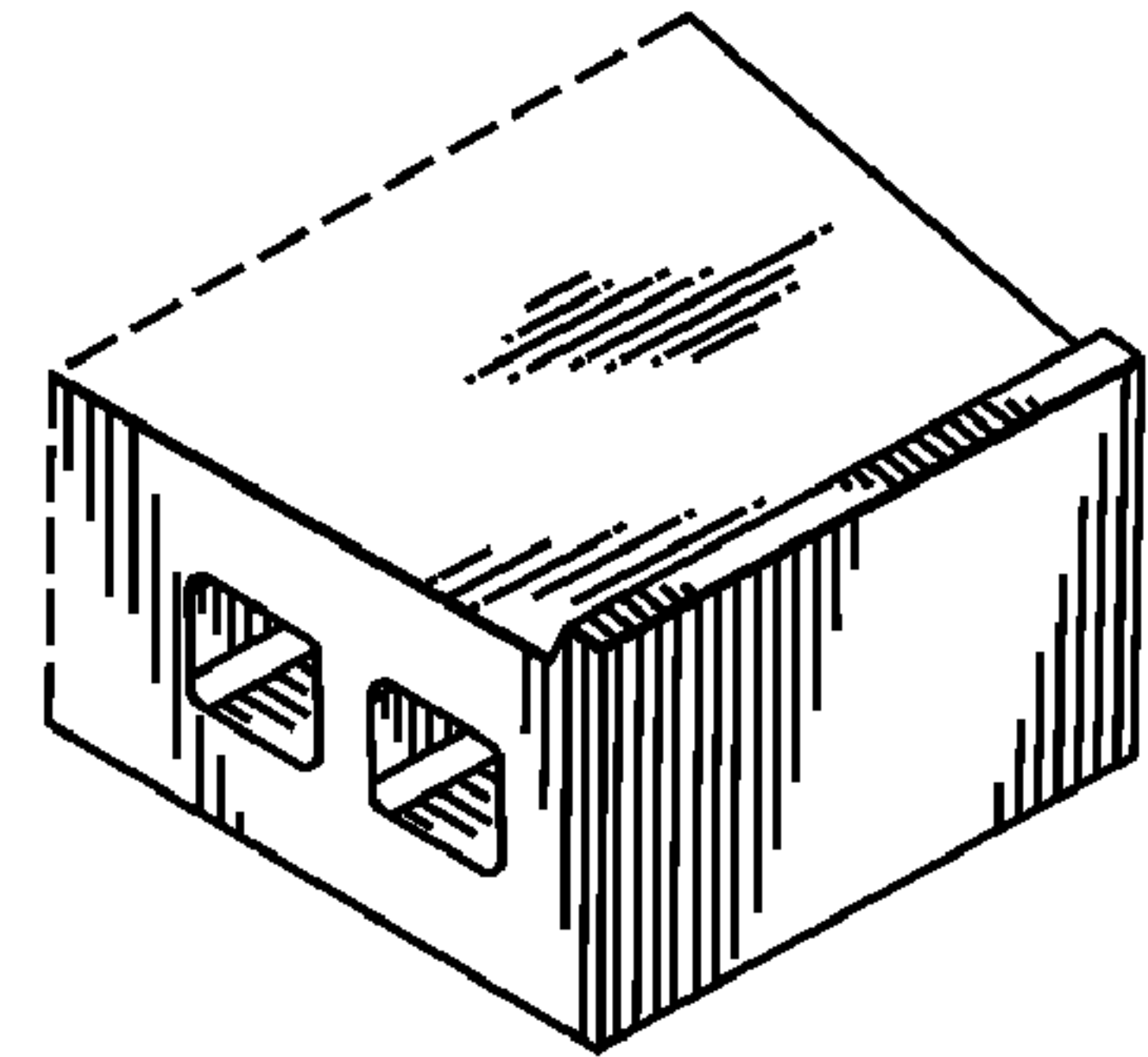


FIG. 18

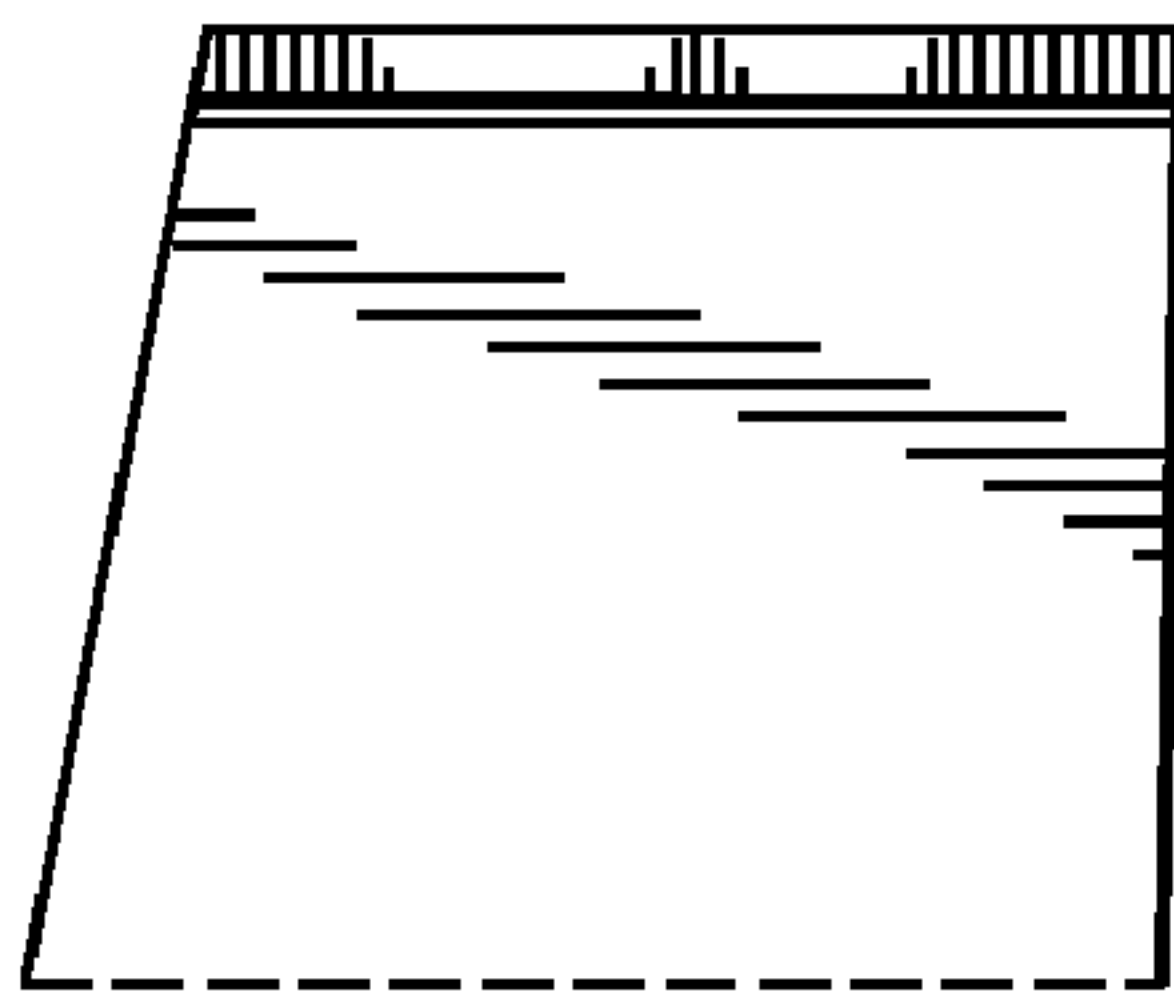


FIG. 19

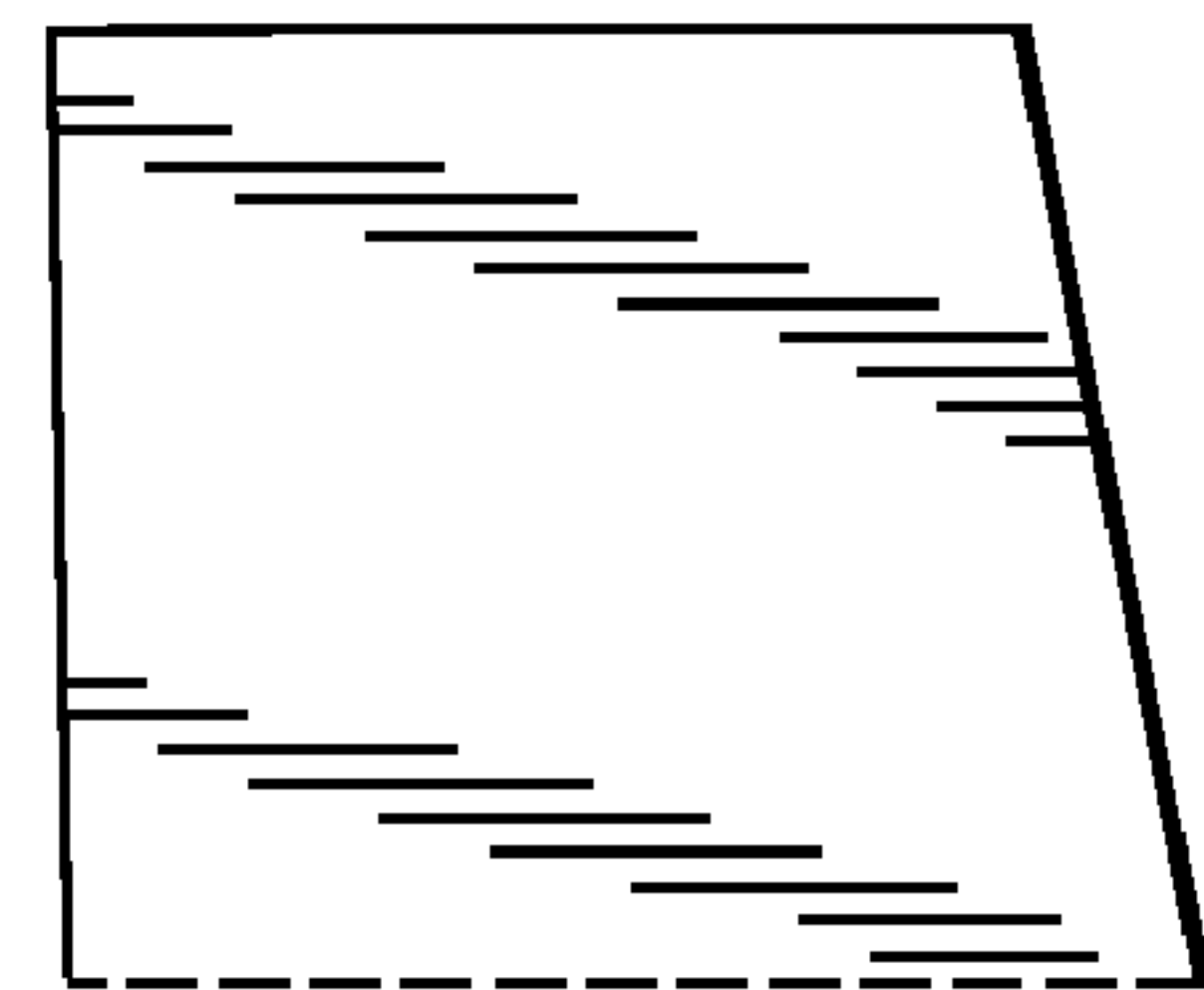


FIG. 20



FIG. 21

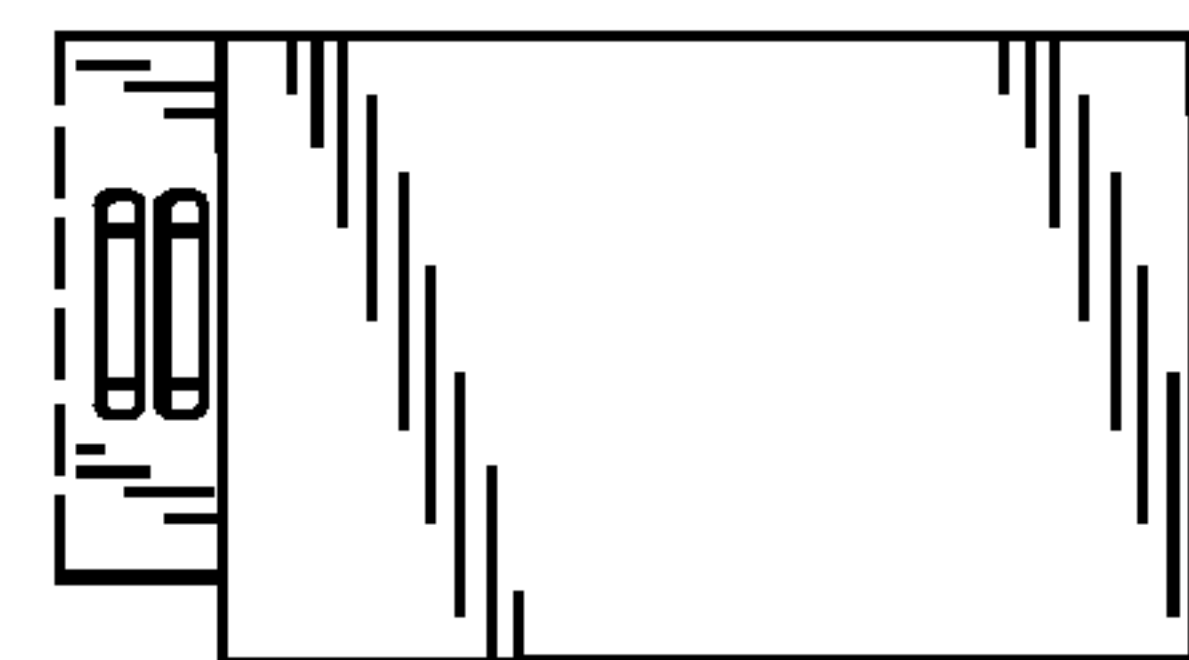


FIG. 22

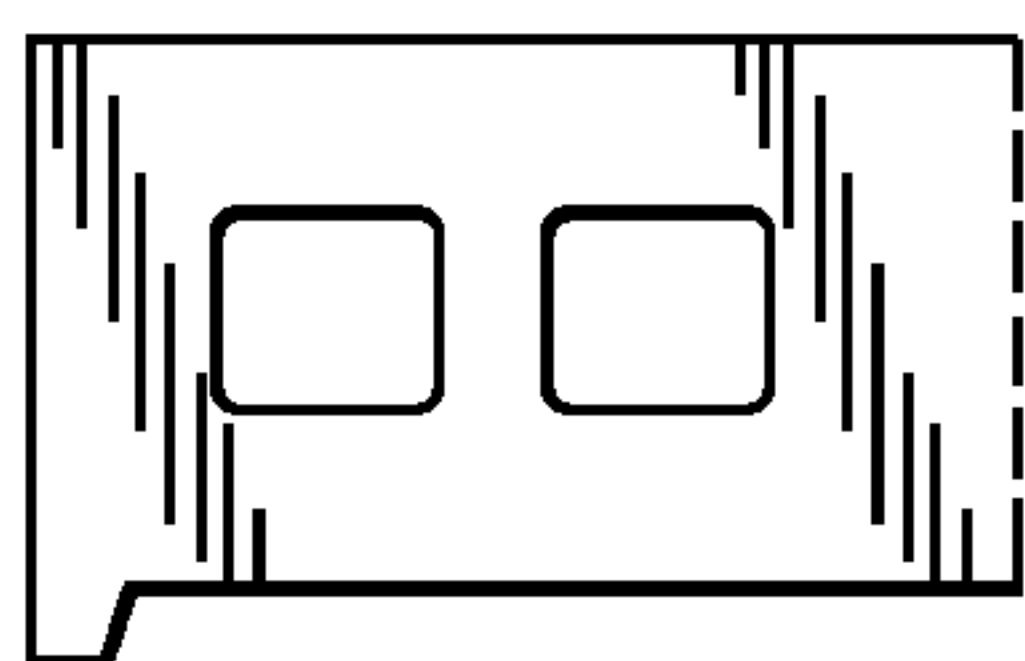


FIG. 23

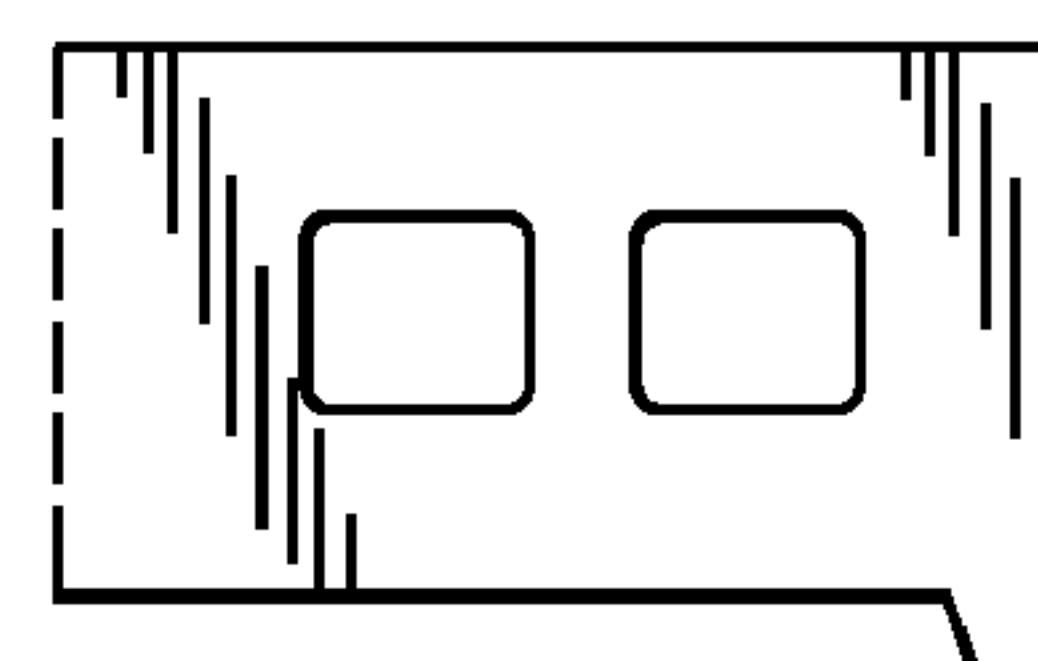


FIG. 24

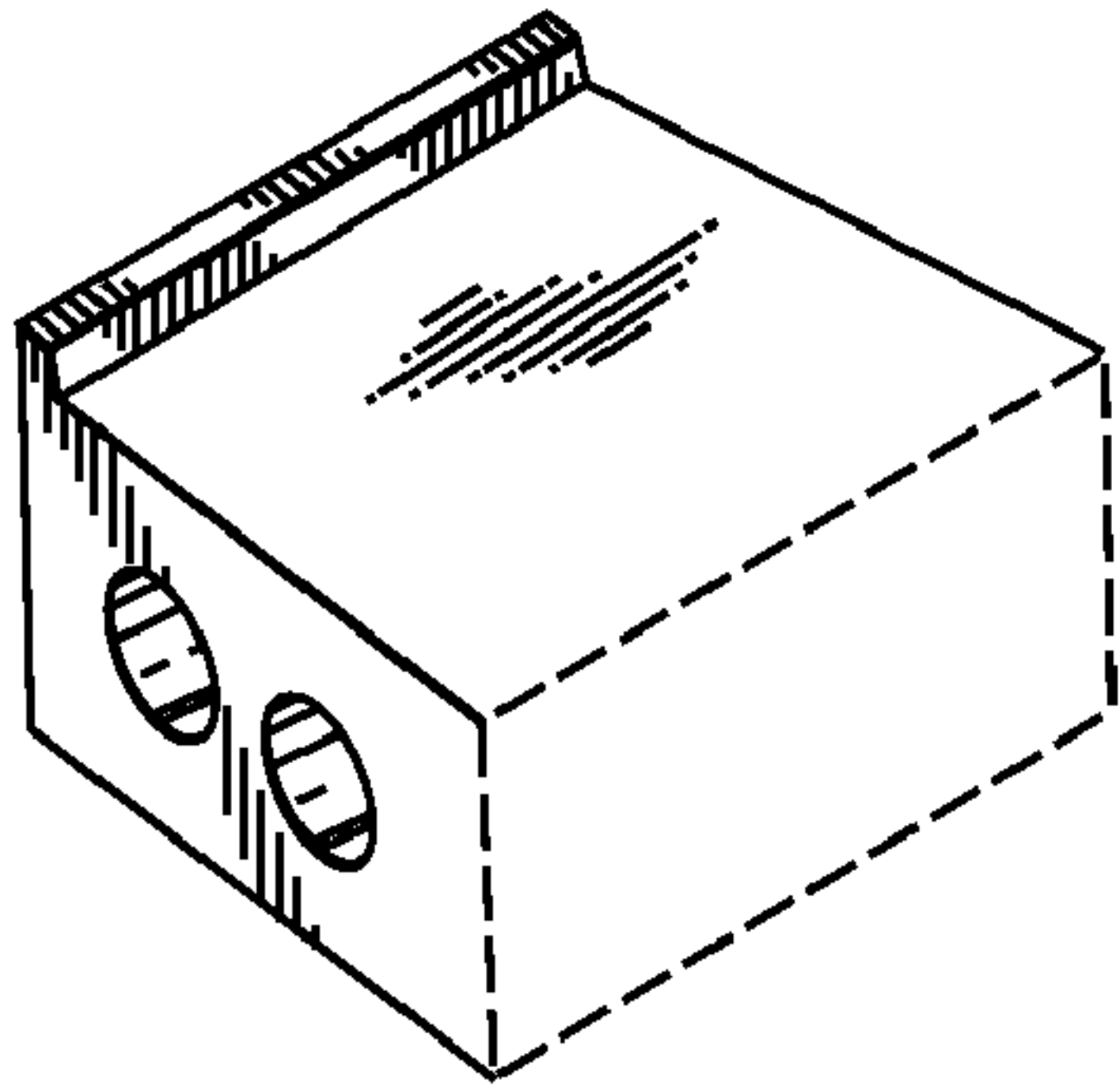


FIG. 25

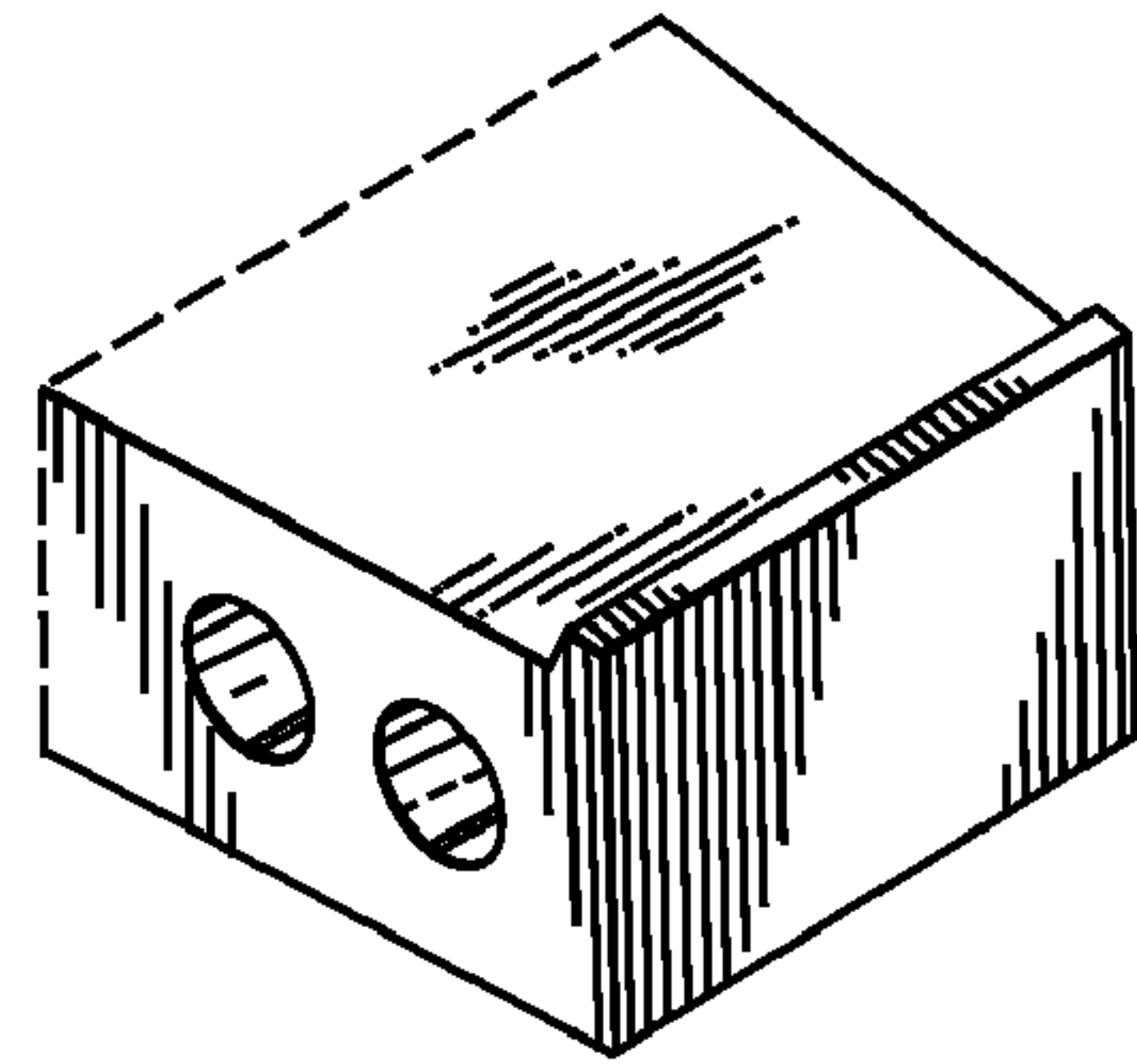


FIG. 26

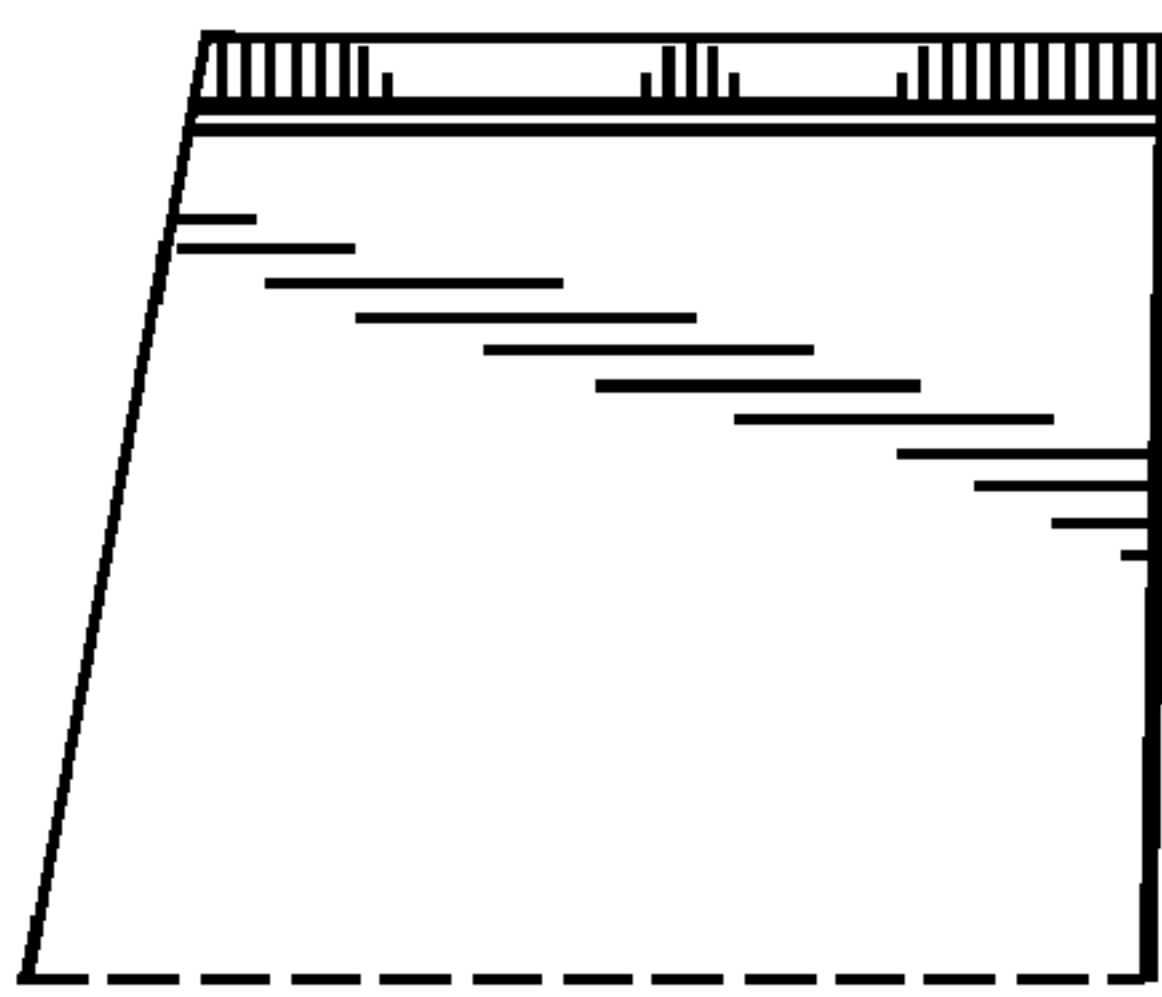


FIG. 27

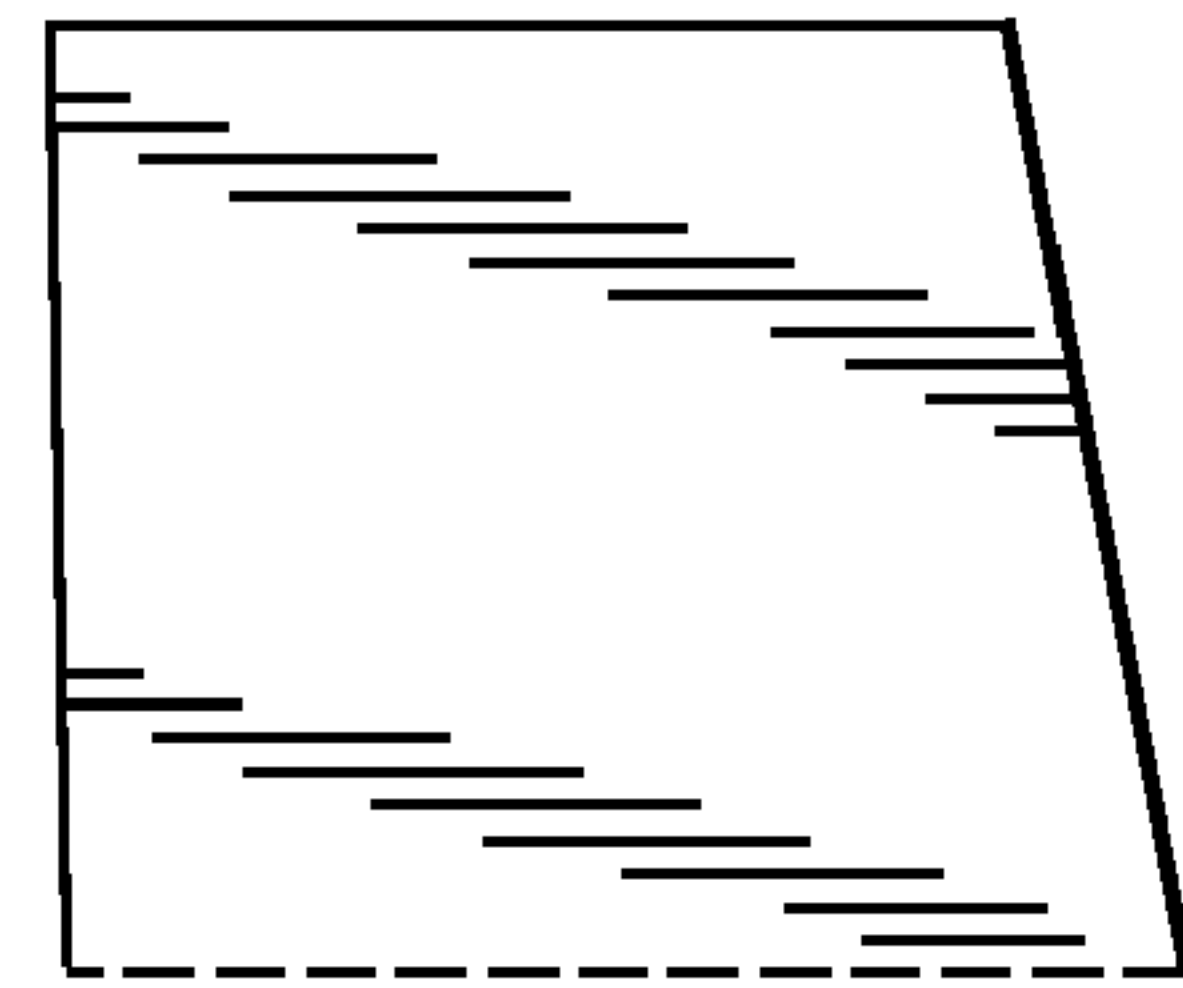


FIG. 28



FIG. 29

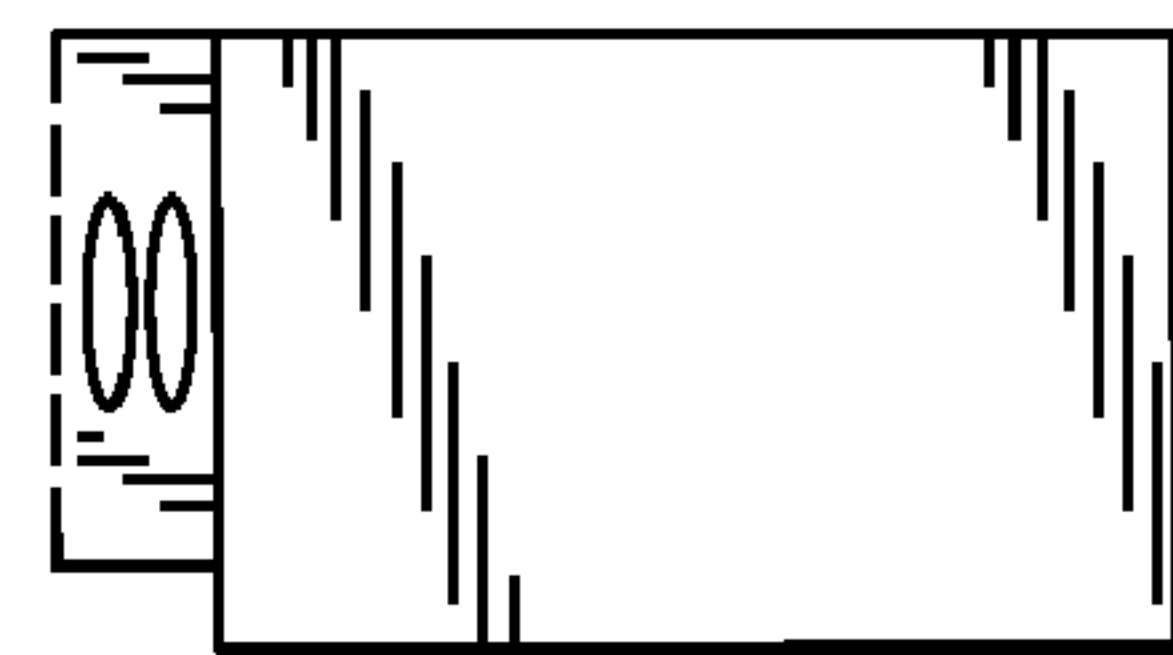


FIG. 30

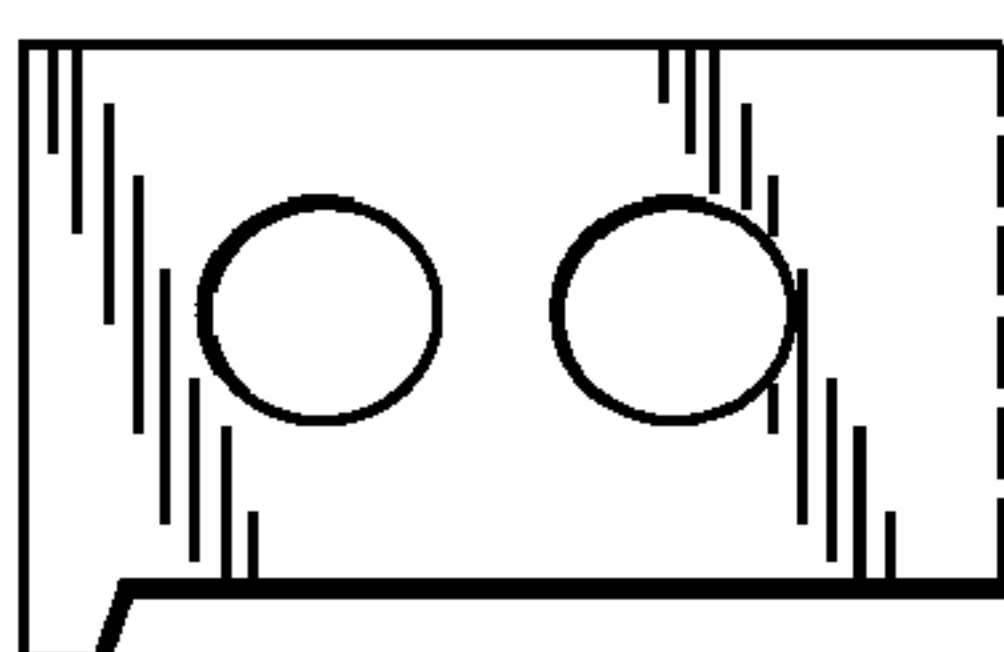


FIG. 31

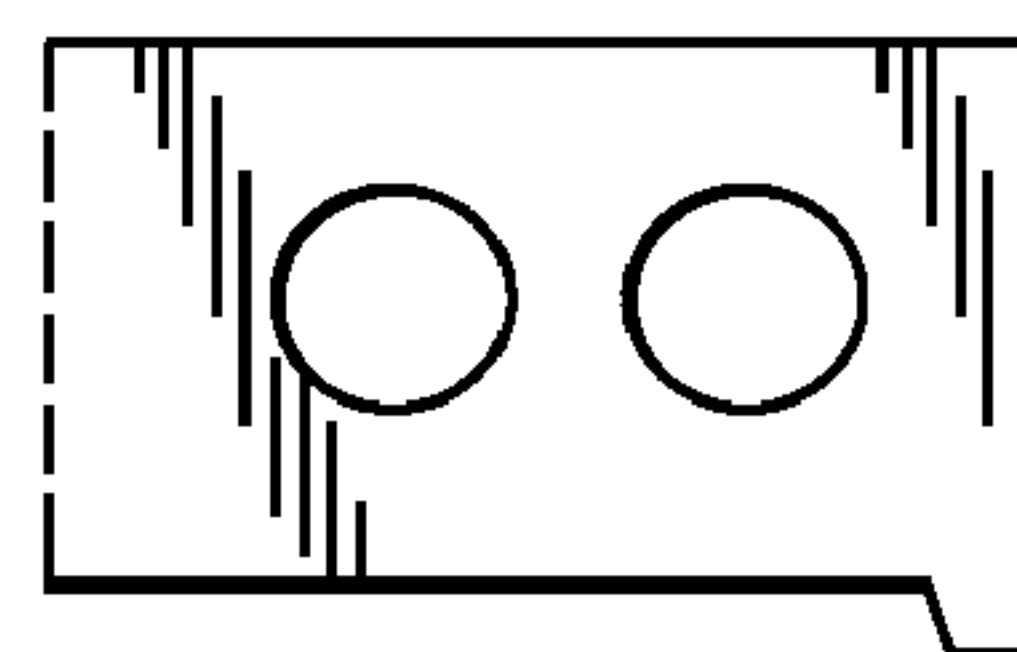


FIG. 32