



US00D621058S

(12) **United States Design Patent**  
**Lim**

(10) **Patent No.:** **US D621,058 S**

(45) **Date of Patent:** **\*\* Aug. 3, 2010**

(54) **SHAKER**

(76) **Inventor:** **Pak Leong Lim**, 23D, Block 15, Monte Vista, Ma On Shan, New Territories (HK)

(\*\*) **Term:** **14 Years**

(21) **Appl. No.:** **29/320,903**

(22) **Filed:** **Jul. 8, 2008**

(51) **LOC (9) Cl.** ..... **24-03**

(52) **U.S. Cl.** ..... **D24/220**

(58) **Field of Classification Search** ..... D24/216-230;  
366/209-213, 220, 602, 204-205; D7/376;  
336/129, 130

See application file for complete search history.

(56) **References Cited**

**U.S. PATENT DOCUMENTS**

D256,049 S *	7/1980	Thomas	.....	D24/218
D288,600 S *	3/1987	Vander Hout et al.	.....	D24/217
D426,312 S *	6/2000	Gomes	.....	D24/220
D547,458 S *	7/2007	Haymann et al.	.....	D24/221
D558,888 S *	1/2008	Ware	.....	D24/216
D569,988 S *	5/2008	Koop	.....	D24/220
D577,125 S *	9/2008	Muller	.....	D24/221
7,458,300 B2 *	12/2008	Williams	.....	83/13

\* cited by examiner

*Primary Examiner*—Elizabeth A Albert

*Assistant Examiner*—Kelley A Donnelly

(74) *Attorney, Agent, or Firm*—Leydig, Voit & Mayer, Ltd.

(57) **CLAIM**

I claim the ornamental design for a shaker, as shown and described.

**DESCRIPTION**

FIG. 1 is a perspective view of the shaker, according to my design, in use;

FIG. 2 is a perspective view of the shaker according to my design;

FIG. 3 is a top view of the shaker according to my design;

FIG. 4 is a bottom view of the shaker according to my design;

FIG. 5 is a right side view of the shaker according to my design;

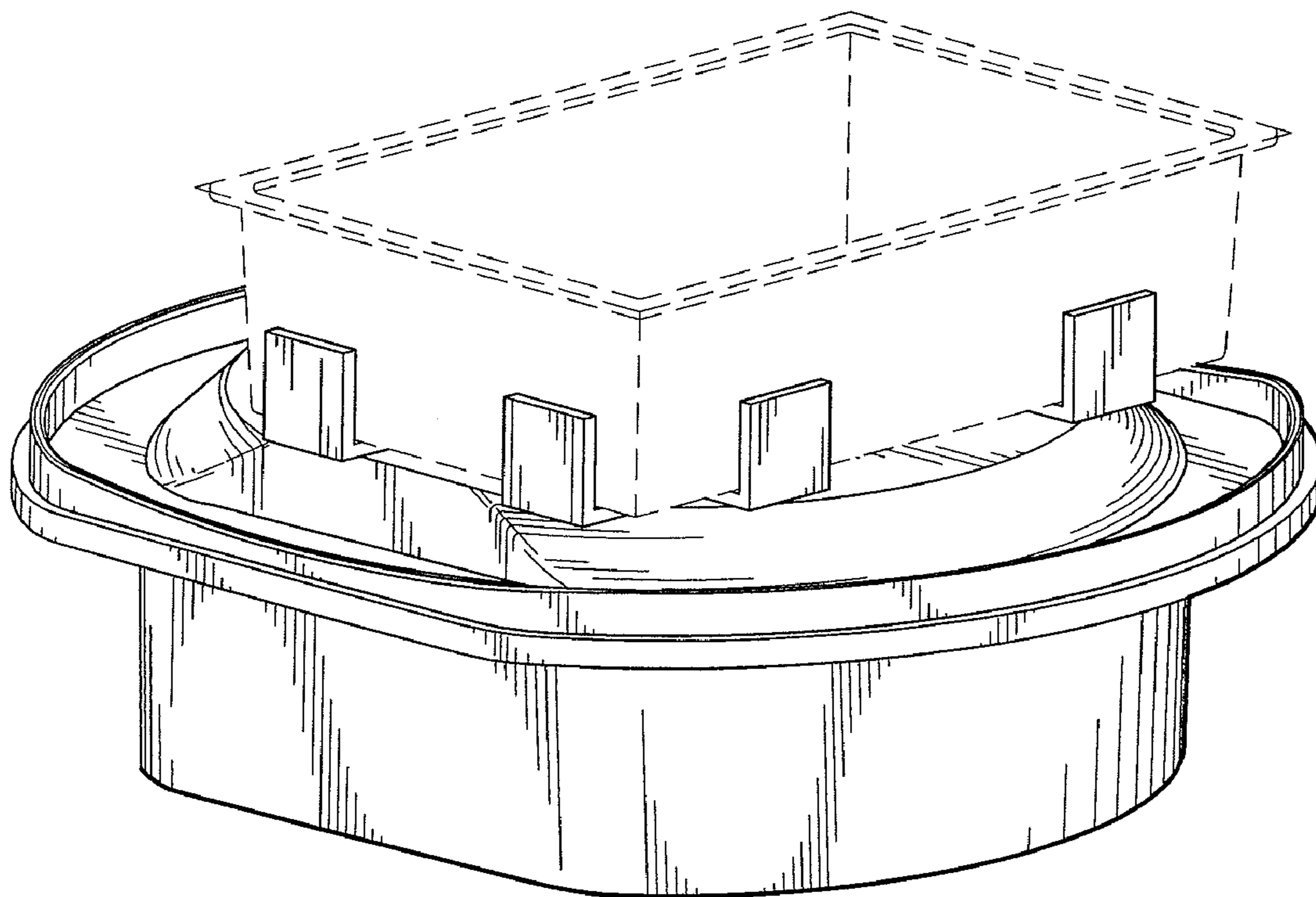
FIG. 6 is a left side view of the shaker according to my design;

FIG. 7 is a front side view of the shaker according to my design; and,

FIG. 8 is a rear side view of the shaker according to my design.

The broken lines in the figures are for environmental purposes only and form no part of the claimed design.

**1 Claim, 4 Drawing Sheets**



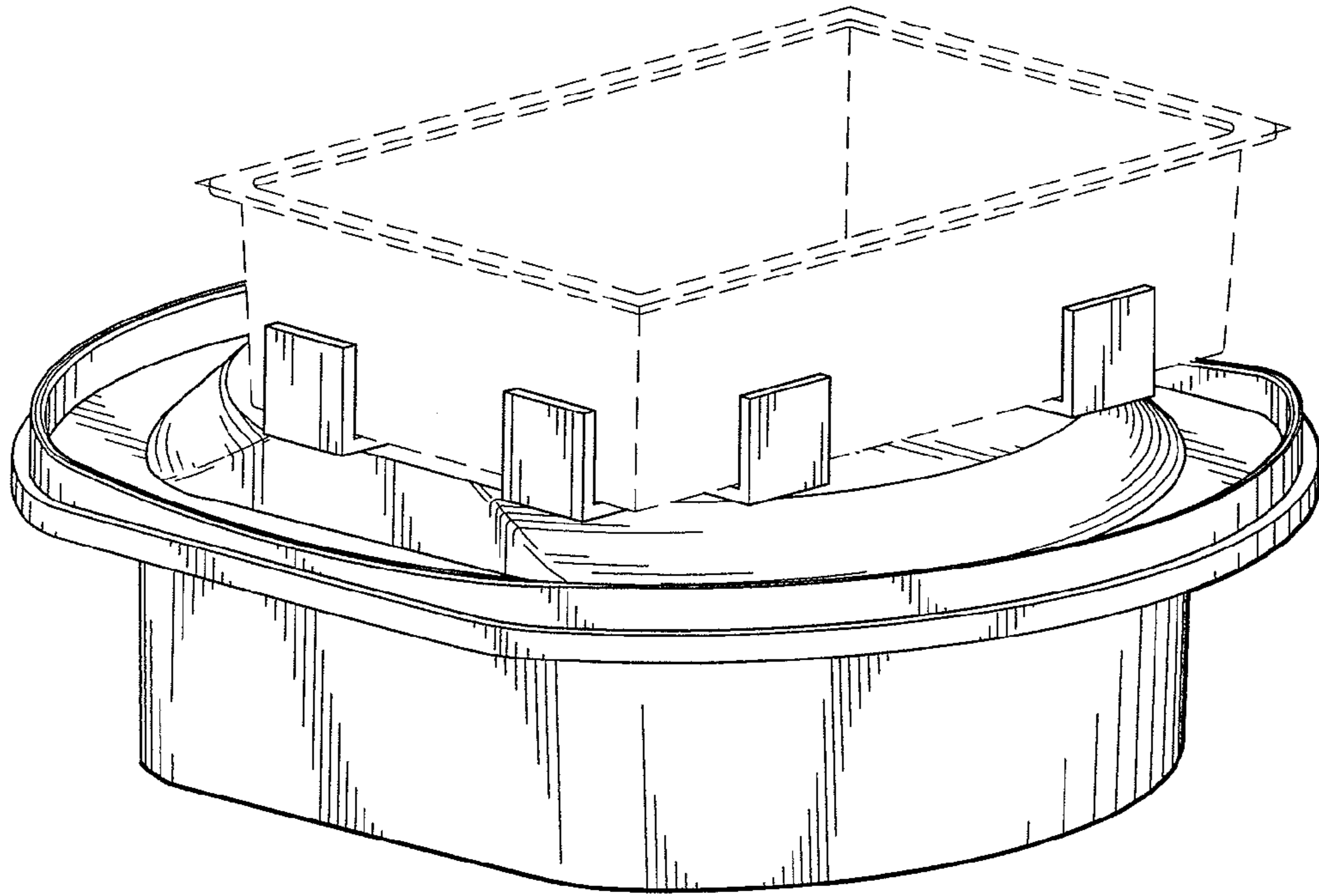


FIG. 1

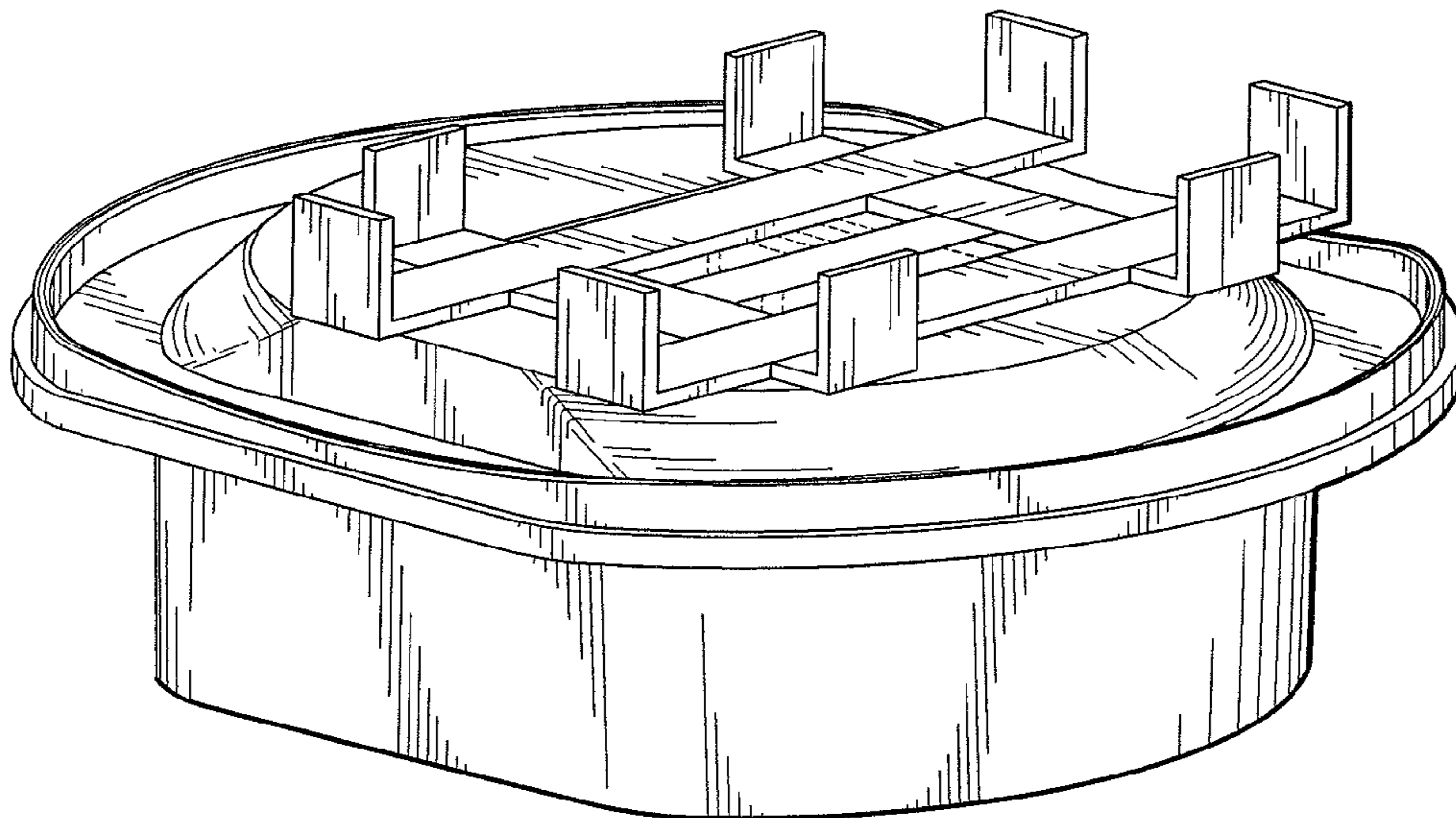


FIG. 2

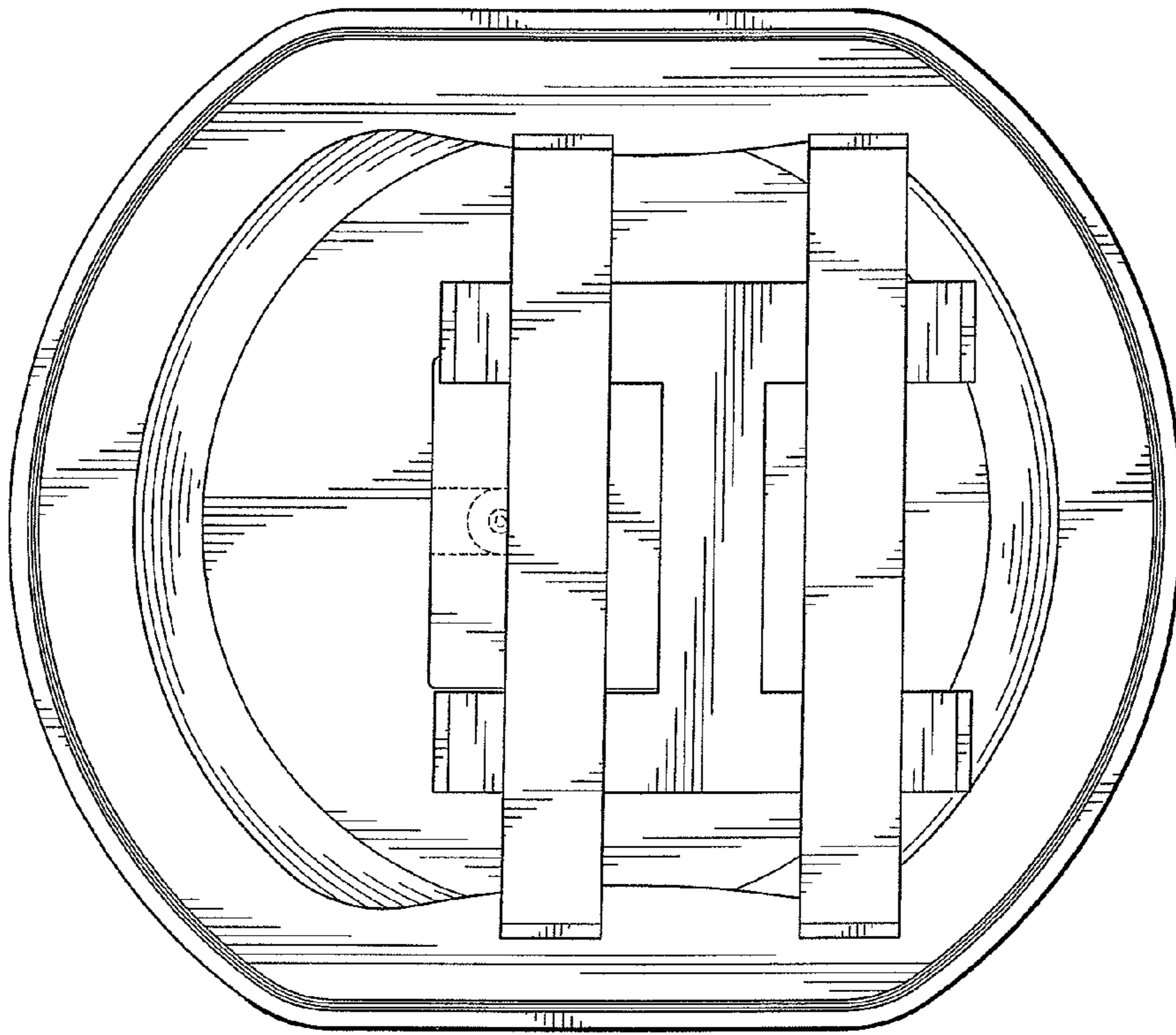


FIG.3

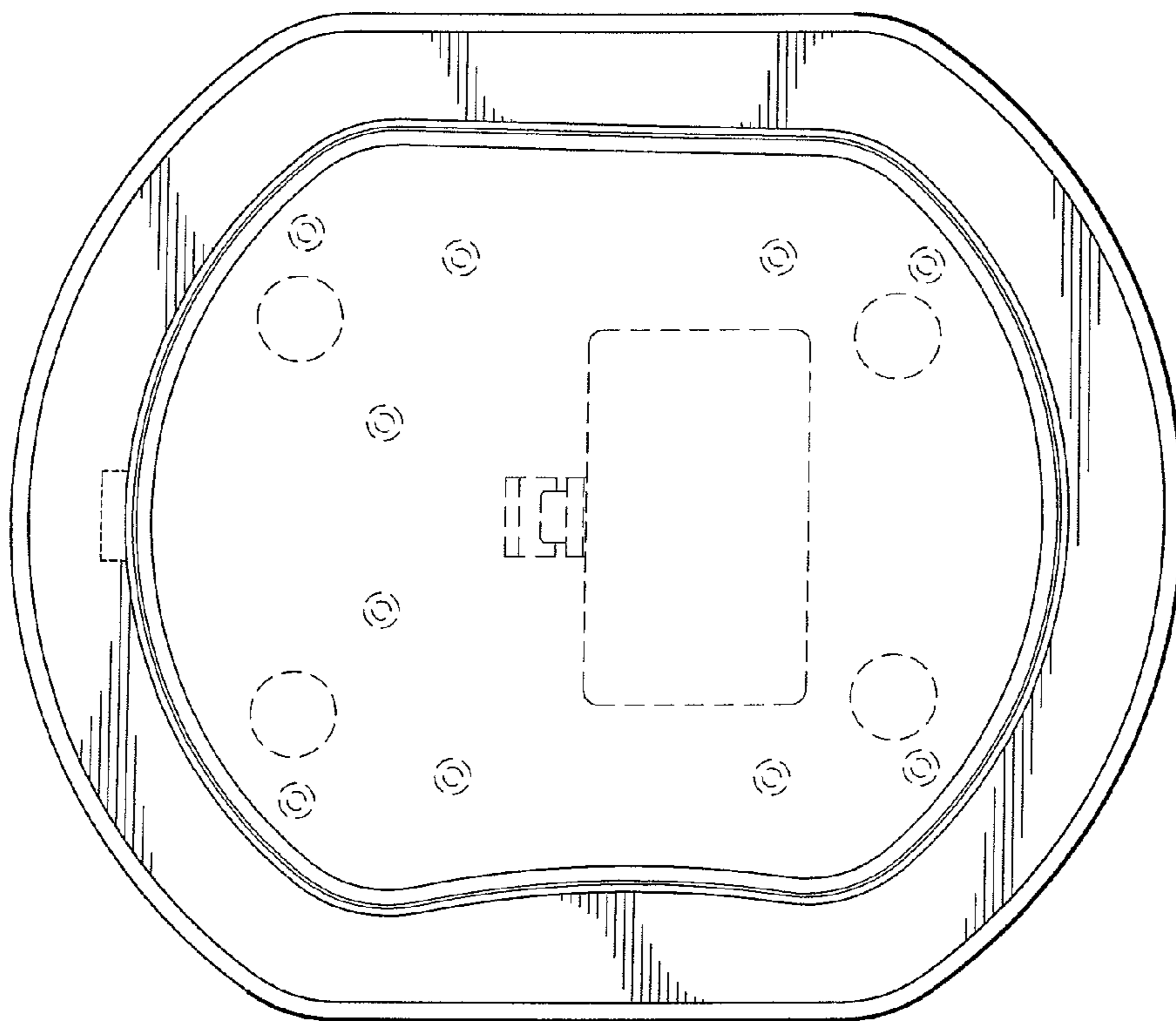


FIG.4

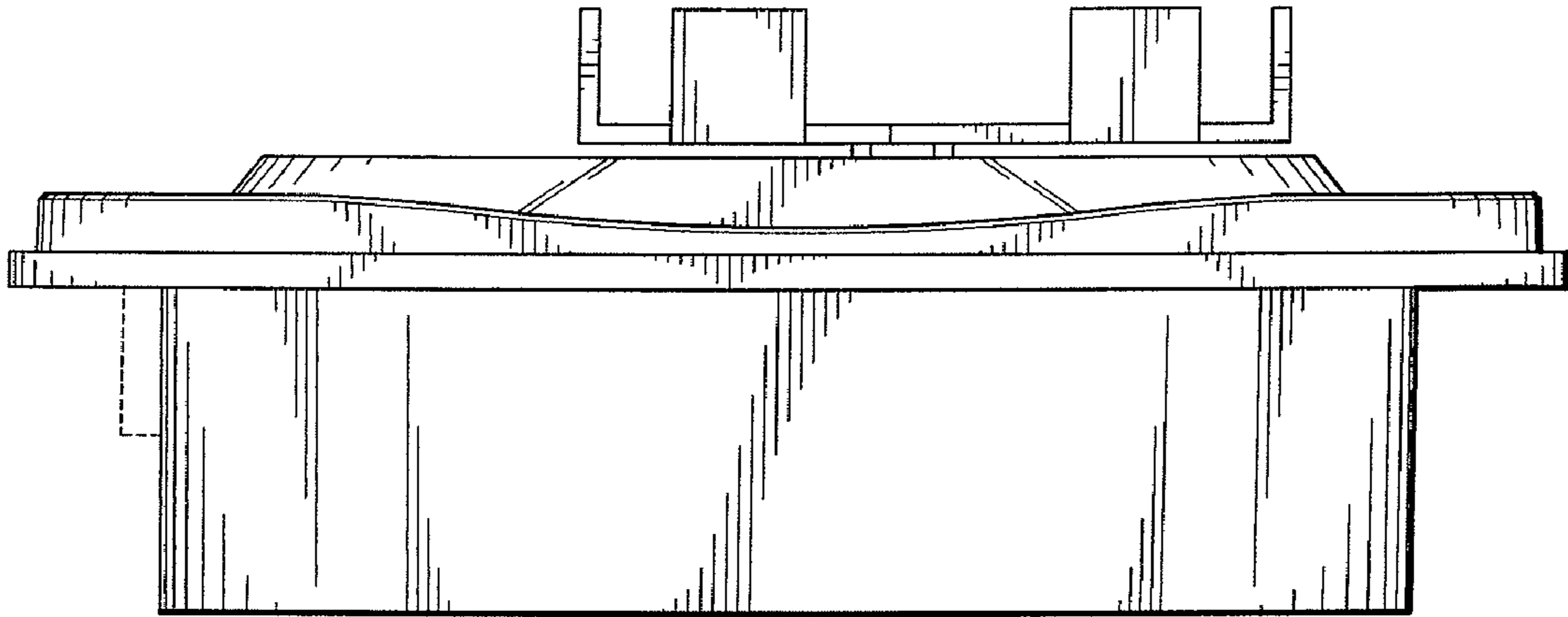


FIG.5

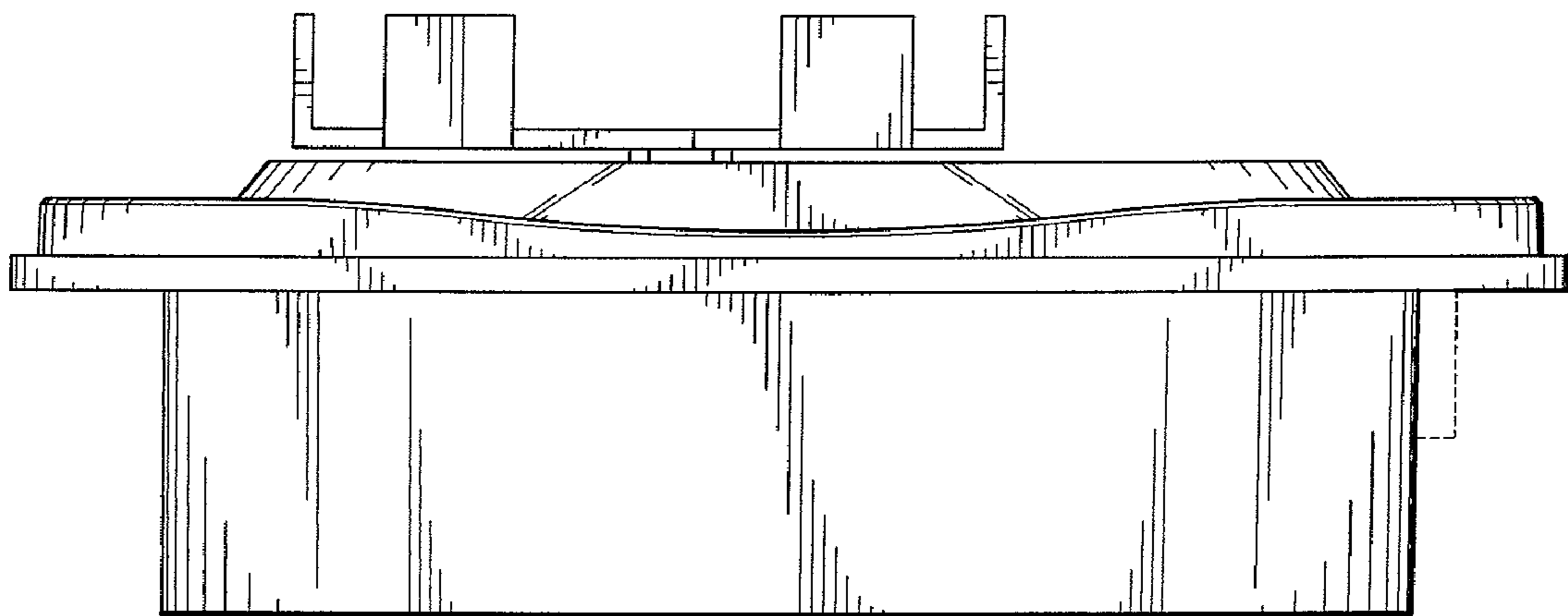


FIG.6

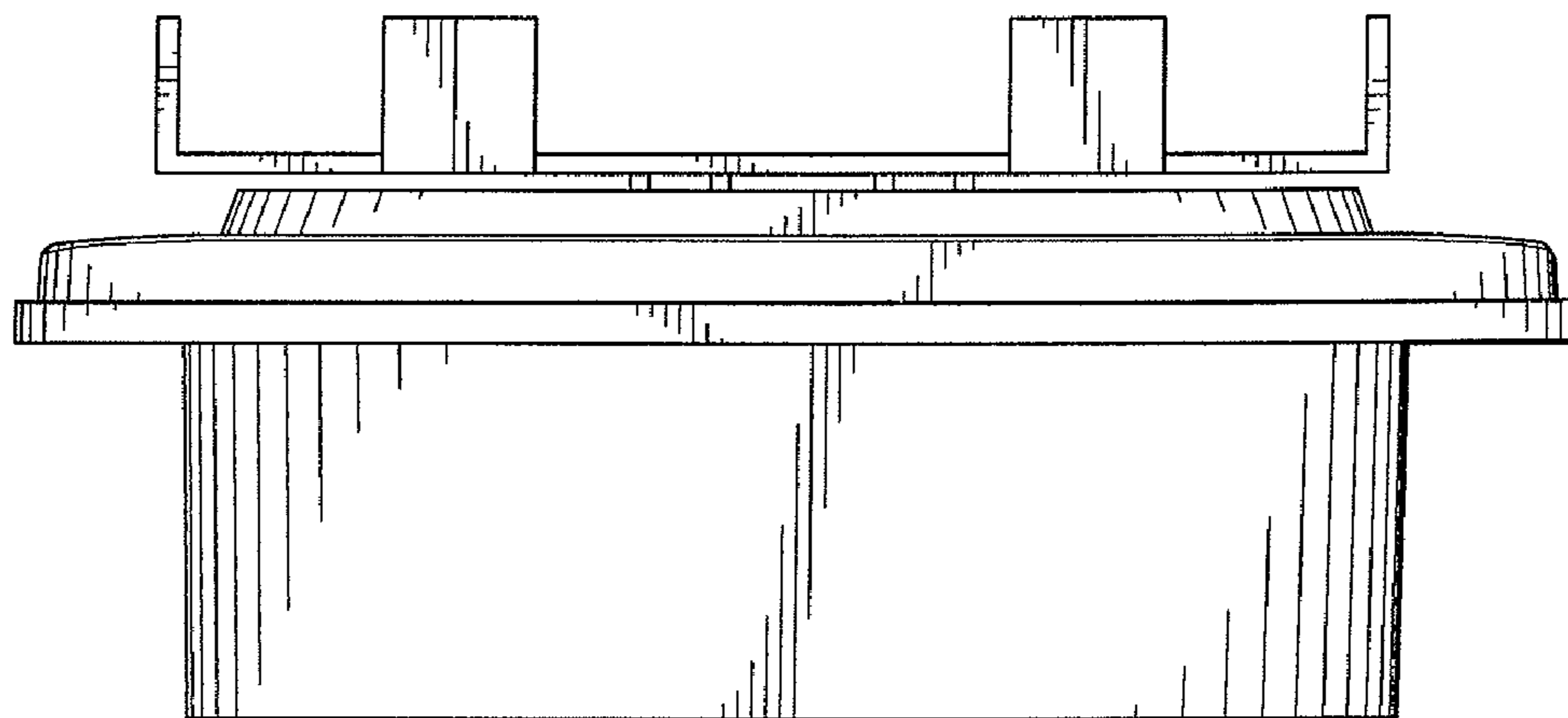


FIG.7

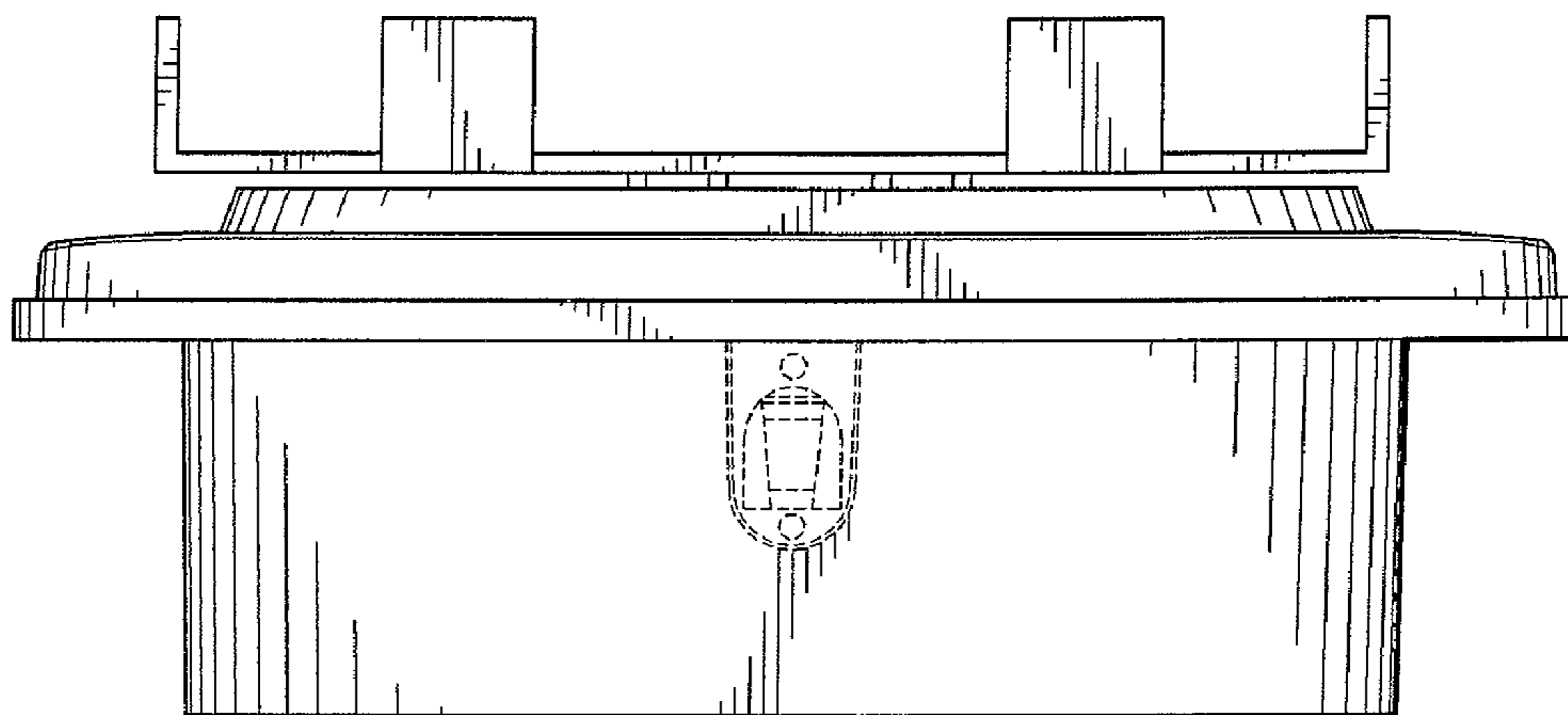


FIG.8