



US00D621056S

(12) **United States Design Patent**  
**Astin**

(10) **Patent No.:** **US D621,056 S**

(45) **Date of Patent:** **\*\* Aug. 3, 2010**

(54) **HAND-MOUNTED PHALLUS RETENTION  
PANEL**

(76) **Inventor:** **C. Tres Astin**, 375 N. Stephanie St.,  
Suite 1411, Henderson, NV (US) 89014

(\*\*) **Term:** **14 Years**

(21) **Appl. No.:** **29/352,834**

(22) **Filed:** **Dec. 28, 2009**

(51) **LOC (9) Cl.** ..... **24-02**

(52) **U.S. Cl.** ..... **D24/200**

(58) **Field of Classification Search** ..... D24/200,  
D24/214, 211, 215, 189, 190; 600/38, 39;  
601/46, 101, 87, 84, 80, 70, 67, 78, 85; D29/113,  
D29/117.1, 117.2, 120.1, 121.1, 121.2, 122,  
D29/100, 101.1–101.5; D30/151, 152

See application file for complete search history.

(56) **References Cited**

**U.S. PATENT DOCUMENTS**

496,747	A	5/1893	Polock	
745,264	A	11/1903	Todd	
2,264,934	A	12/1941	Cronk	
4,471,772	A	9/1984	Miller, Jr.	
4,488,541	A	12/1984	Garcia	
4,622,962	A	11/1986	Kauffman	
4,660,551	A	4/1987	Nishimura	
4,724,829	A *	2/1988	Knapps	600/41
D320,871	S *	10/1991	Bothof et al.	D29/113
5,103,810	A	4/1992	Chang	
5,353,440	A *	10/1994	Meldeau	2/161.1
D362,927	S *	10/1995	McCrane	D29/117.1
D367,731	S *	3/1996	Estwanik	D29/117.1
D401,341	S	11/1998	Poubouridis	
5,893,827	A	4/1999	Jaquez et al.	
D410,742	S	6/1999	Coolidge	
6,123,664	A	9/2000	Ard	
6,547,717	B1 *	4/2003	Green et al.	600/38

(Continued)

**OTHER PUBLICATIONS**

<http://www.smittenkittenonline.com/strap-on-harnesses/other-harnesses/five-finger-palm-harness.html>. Accessed Apr. 8, 2010.\*

(Continued)

*Primary Examiner*—Cathron C Brooks

*Assistant Examiner*—Melanie Levy

(74) *Attorney, Agent, or Firm*—O’Connell Law Firm

(57) **CLAIM**

The ornamental design for a hand-mounted phallus retention panel, as shown and described.

**DESCRIPTION**

FIG. 1 is a perspective view of the hand-mounted phallus retention panel;

FIG. 2 is a view in right side elevation of the hand-mounted phallus retention panel of FIG. 1;

FIG. 3 is a view in left side elevation of the hand-mounted phallus retention panel of FIG. 1;

FIG. 4 is a top plan view of the unfolded hand-mounted phallus retention panel of FIG. 1;

FIG. 5 is a bottom plan view of the unfolded hand-mounted phallus retention panel of FIG. 1;

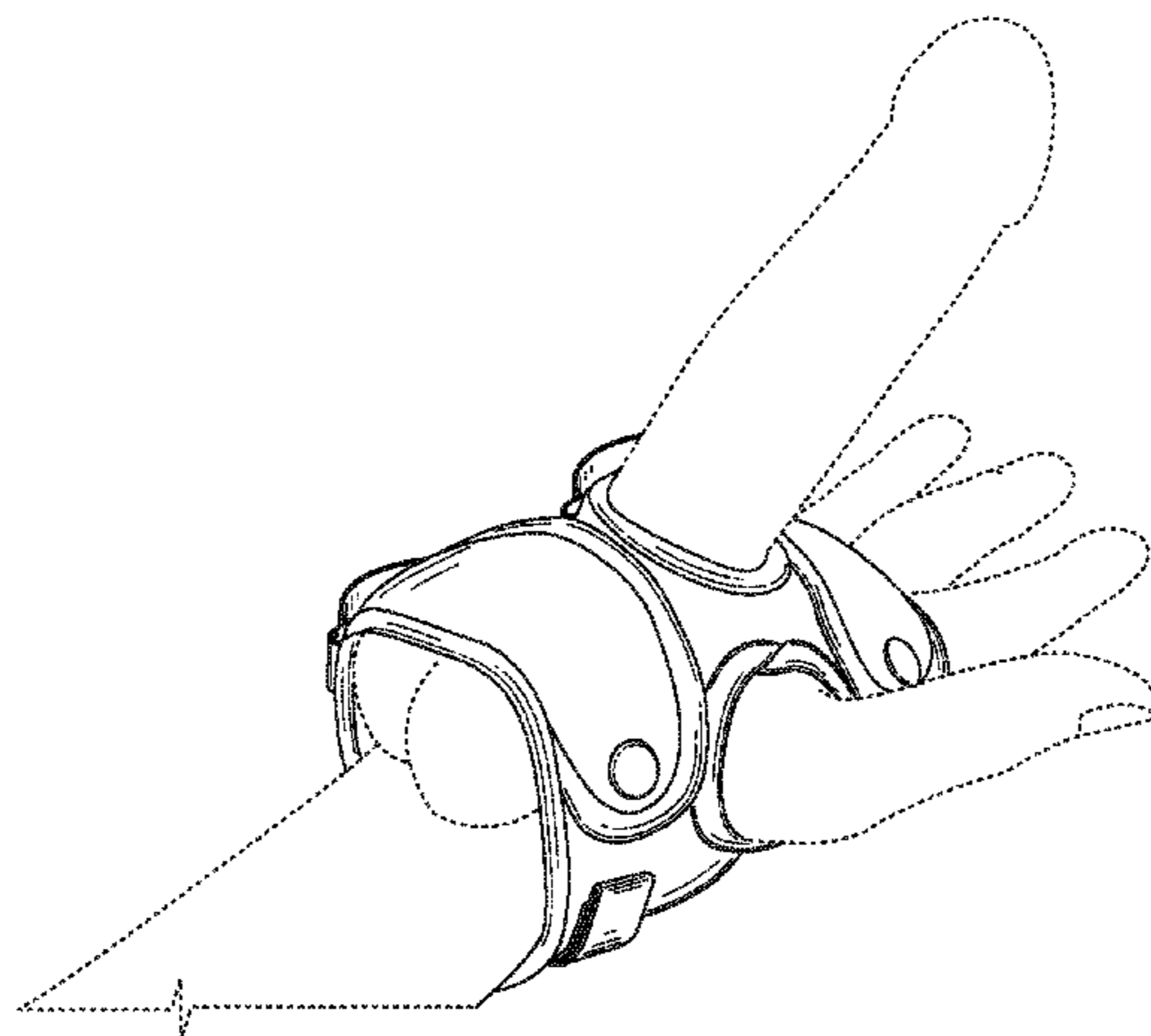
FIG. 6 is a view in front elevation of the hand-mounted phallus retention panel of FIG. 1;

FIG. 7 is a view in rear elevation of the hand-mounted phallus retention panel of FIG. 1; and,

FIG. 8 is a perspective view of the hand-mounted phallus retention panel of FIG. 1 retaining a phallus and applied to a hand.

The broken lines shown in the drawings represent environmental subject matter and form no part of the claimed design.

**1 Claim, 6 Drawing Sheets**



# US D621,056 S

Page 2

---

## U.S. PATENT DOCUMENTS

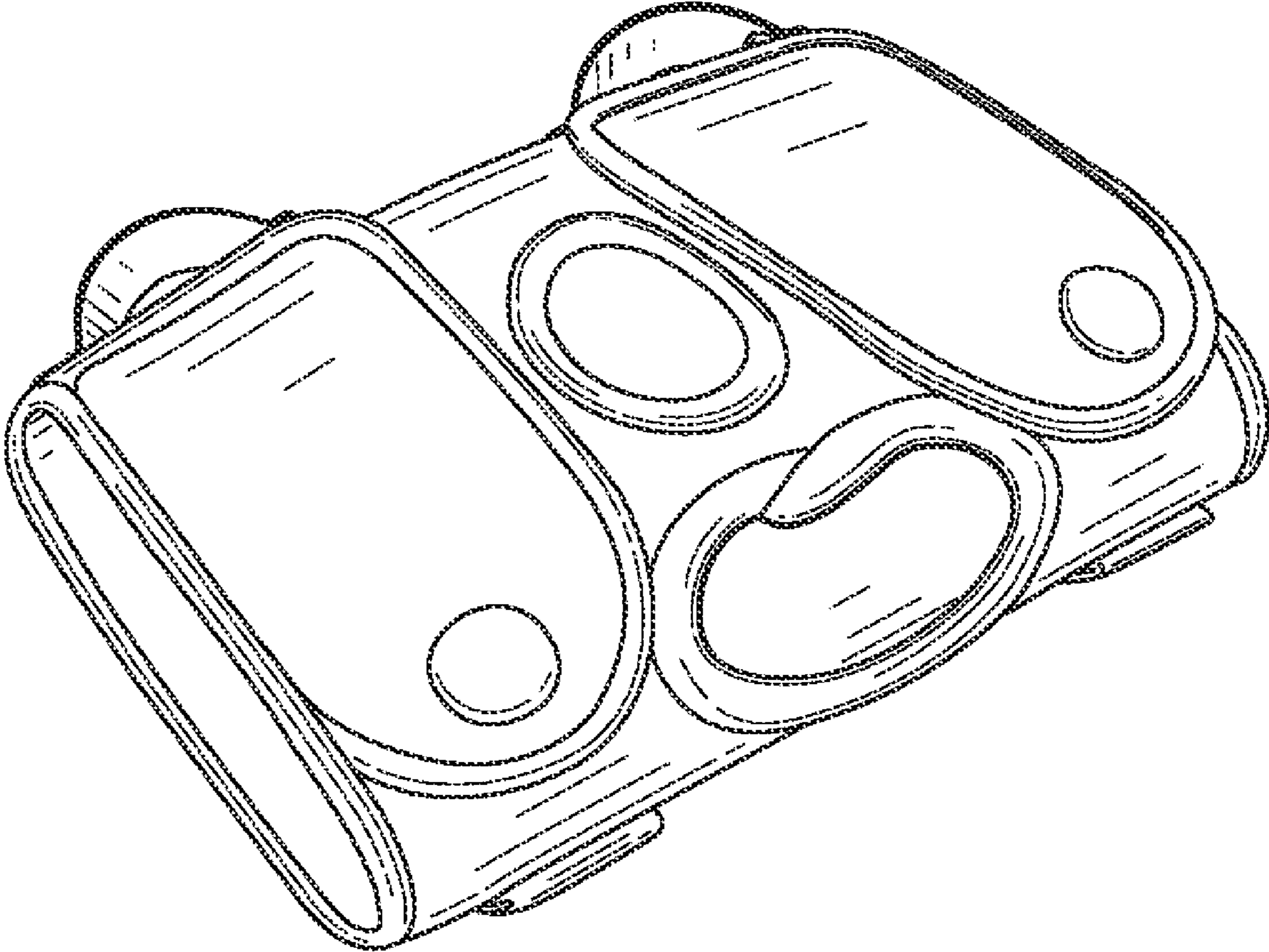
6,553,574 B1 \* 4/2003 Hall et al. .... 601/40  
6,656,139 B2 12/2003 Zvezdaryk  
6,849,041 B2 2/2005 Astin  
D571,051 S \* 6/2008 Matthews ..... D29/117.1

## OTHER PUBLICATIONS

Outlaw Leather, Five-Finger, web site address: <http://www.outlawseattle.com/5finger.htm>, Outlaw Leather, Seattle, WA, USA.

Wild Hearts (retailer for sex toys), Fukuoku Massage Glove (manufactured by Fukuoku but sold on the Wild Hearts web site), web site address: <http://wildhearts.com/fukuokumassageglove.aspx>, Wild Hearts, Provincetown, MA, USA.

\* cited by examiner



**FIG. 1**

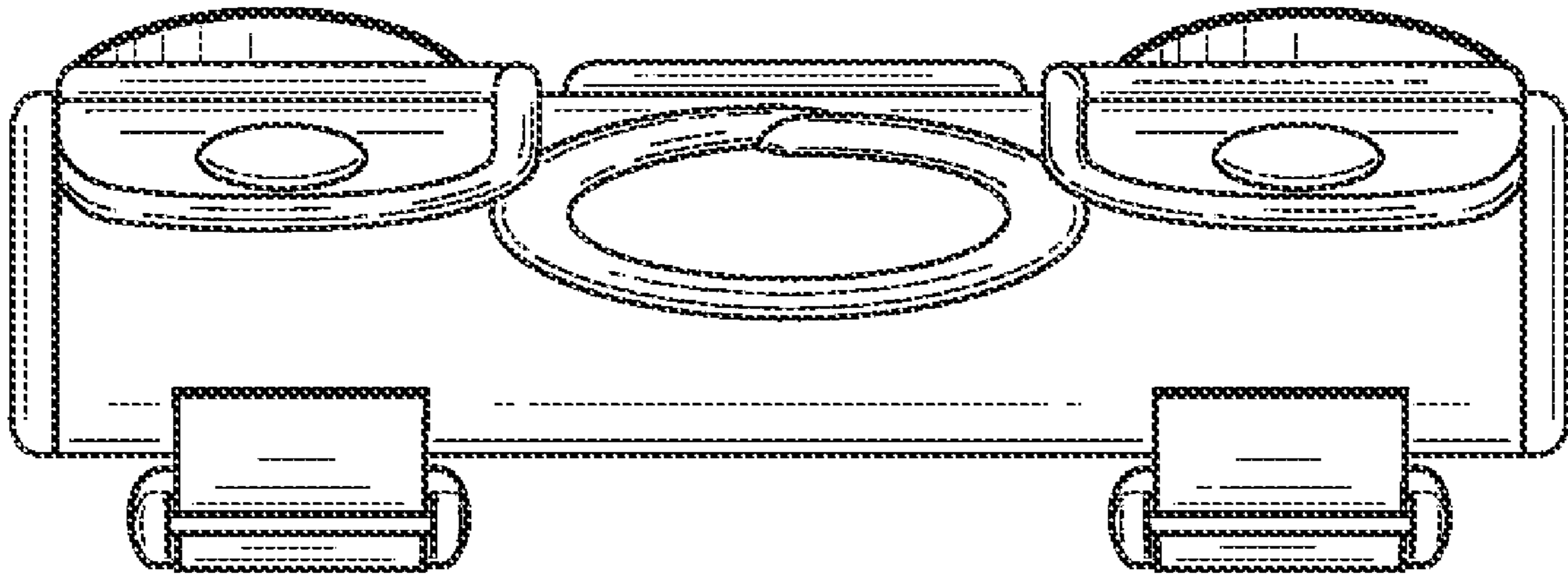


FIG. 2

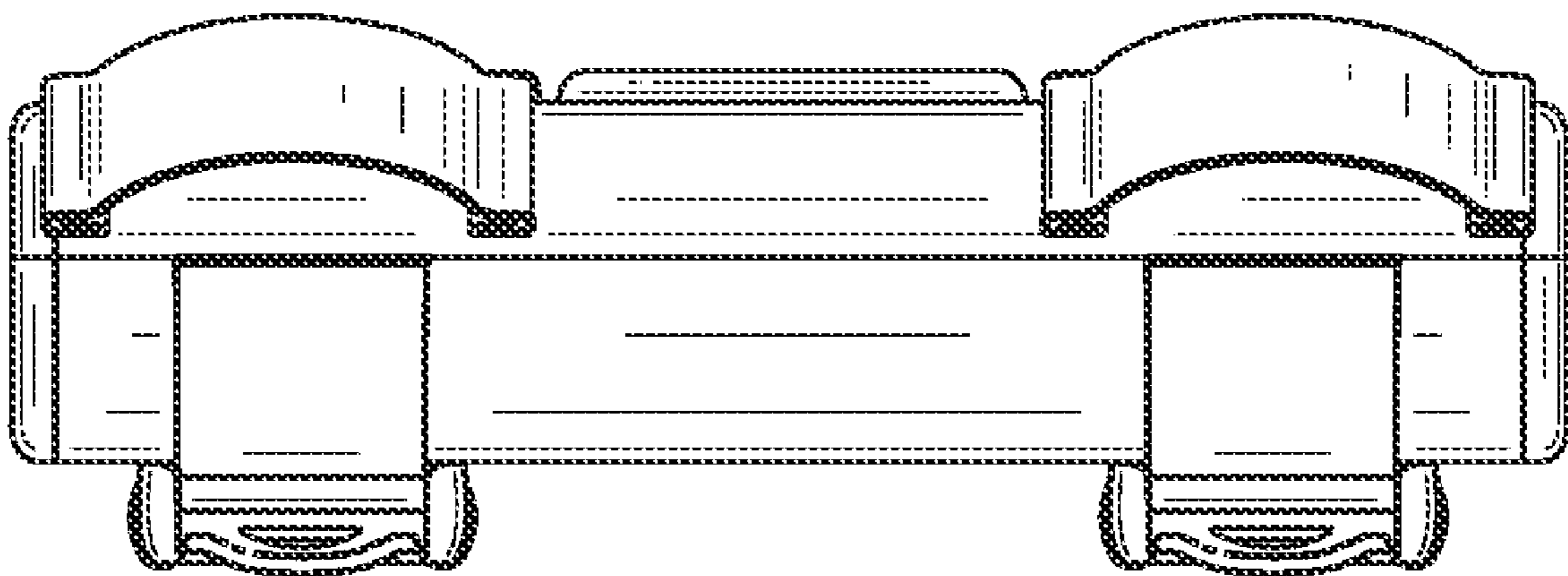


FIG. 3

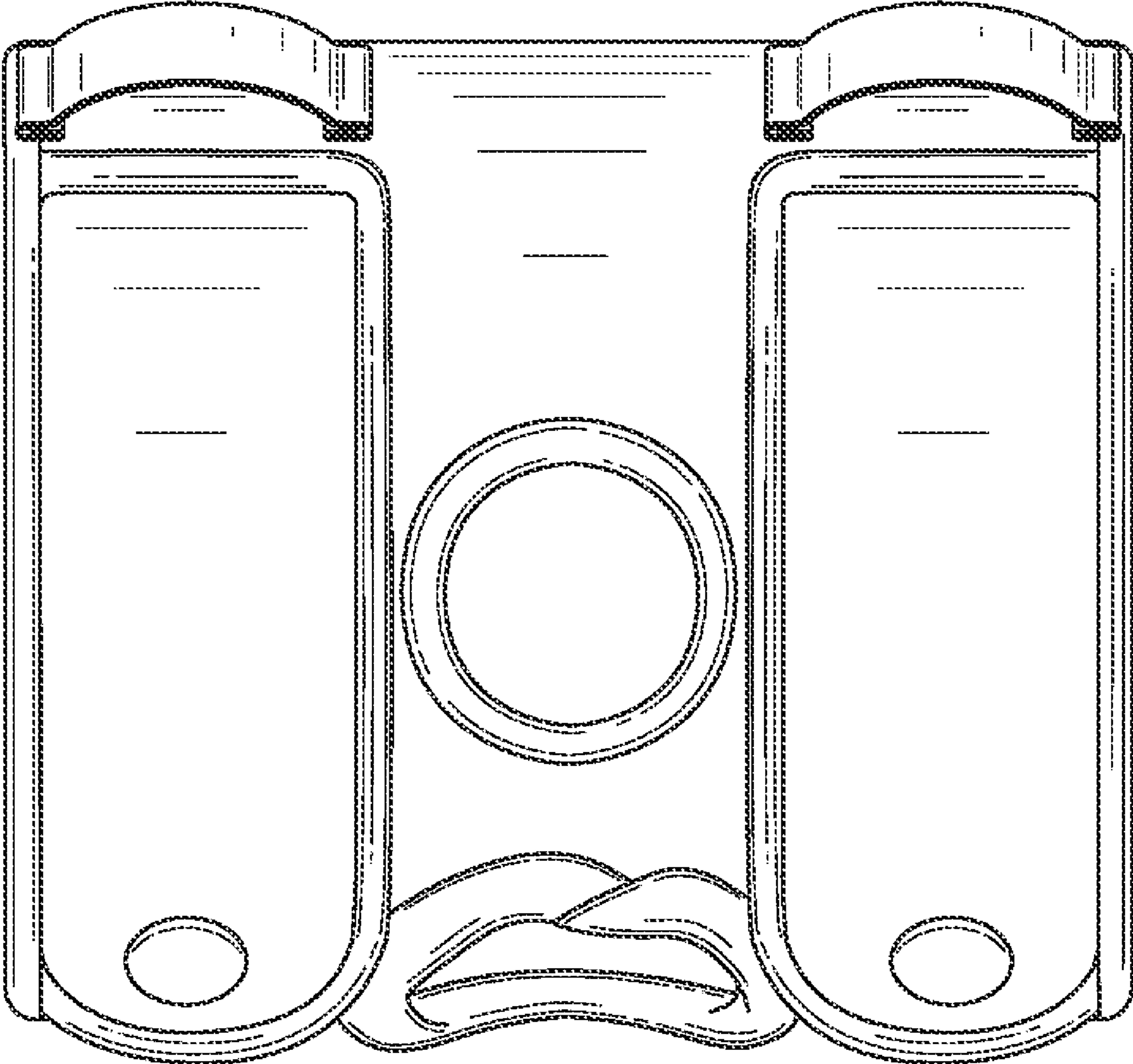


FIG. 4

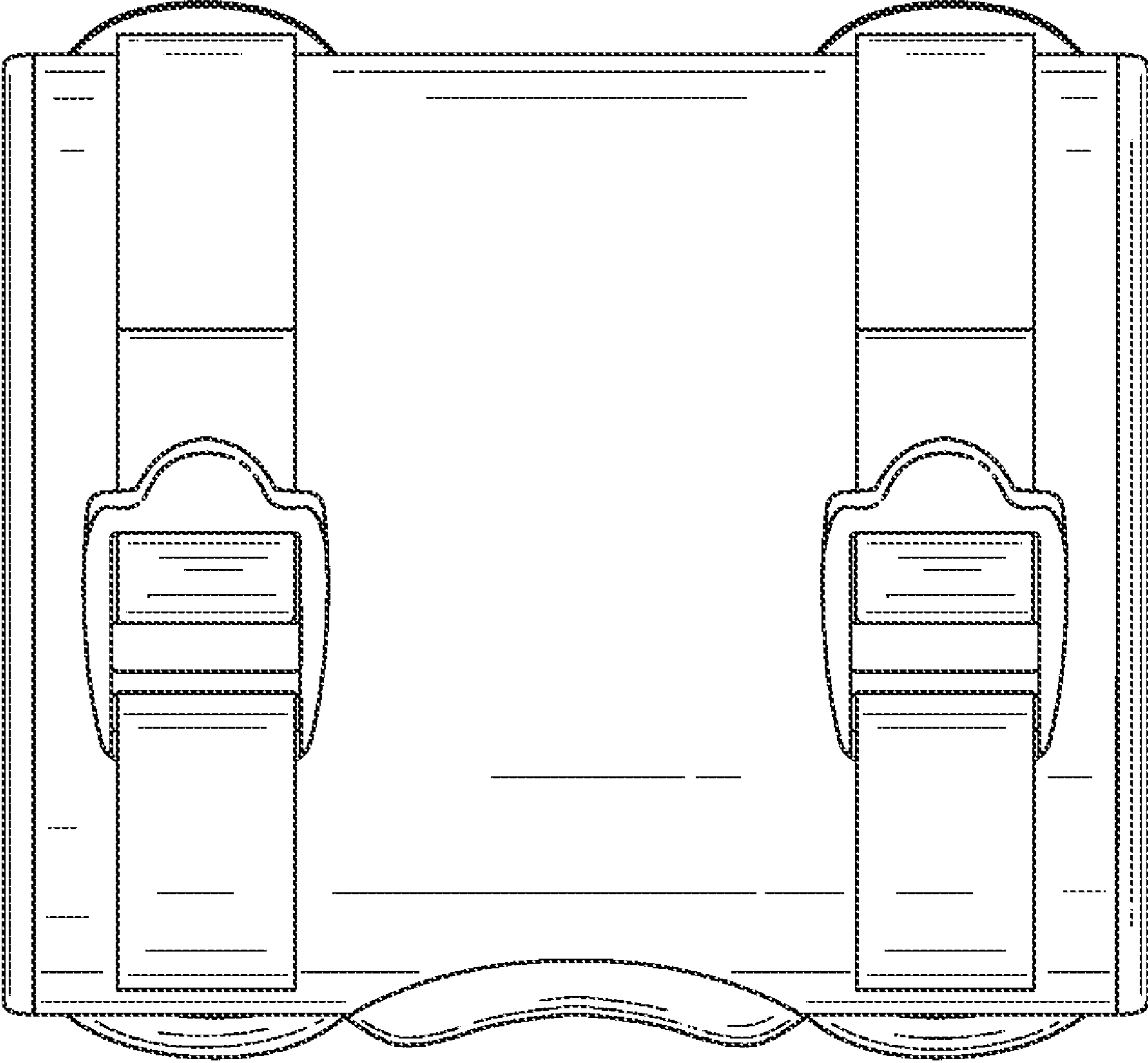
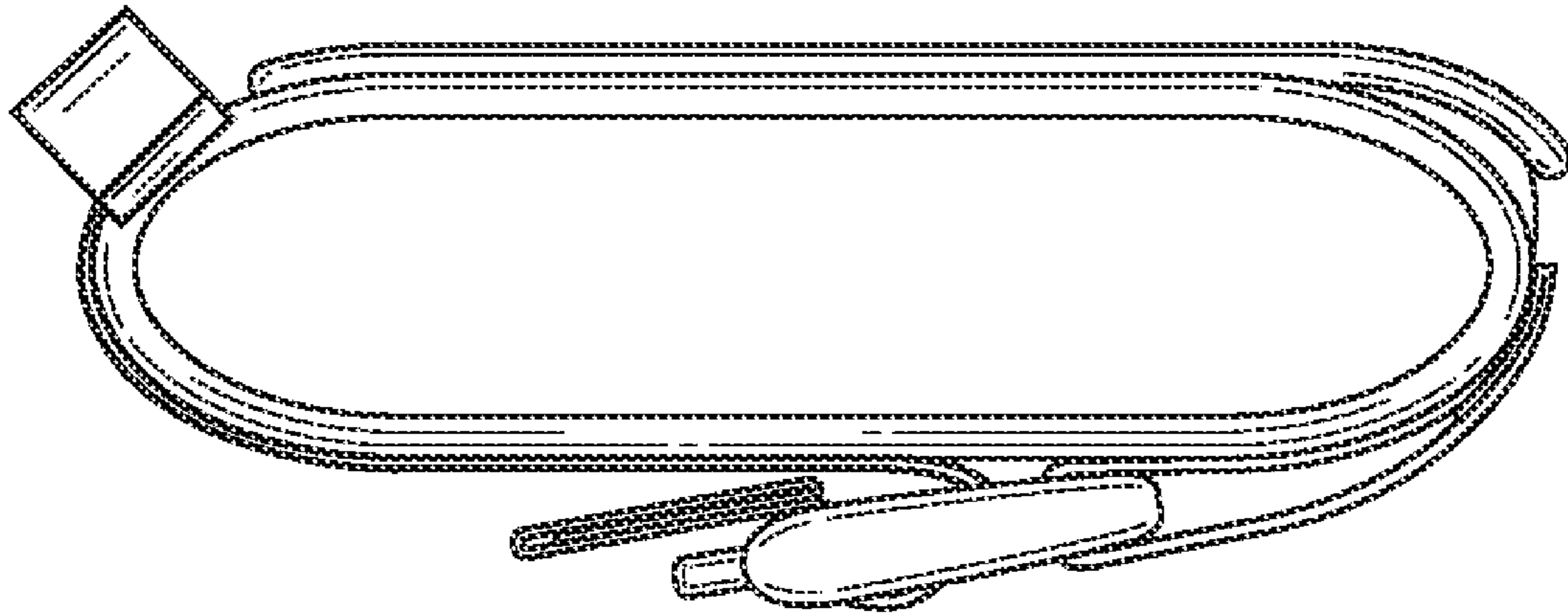
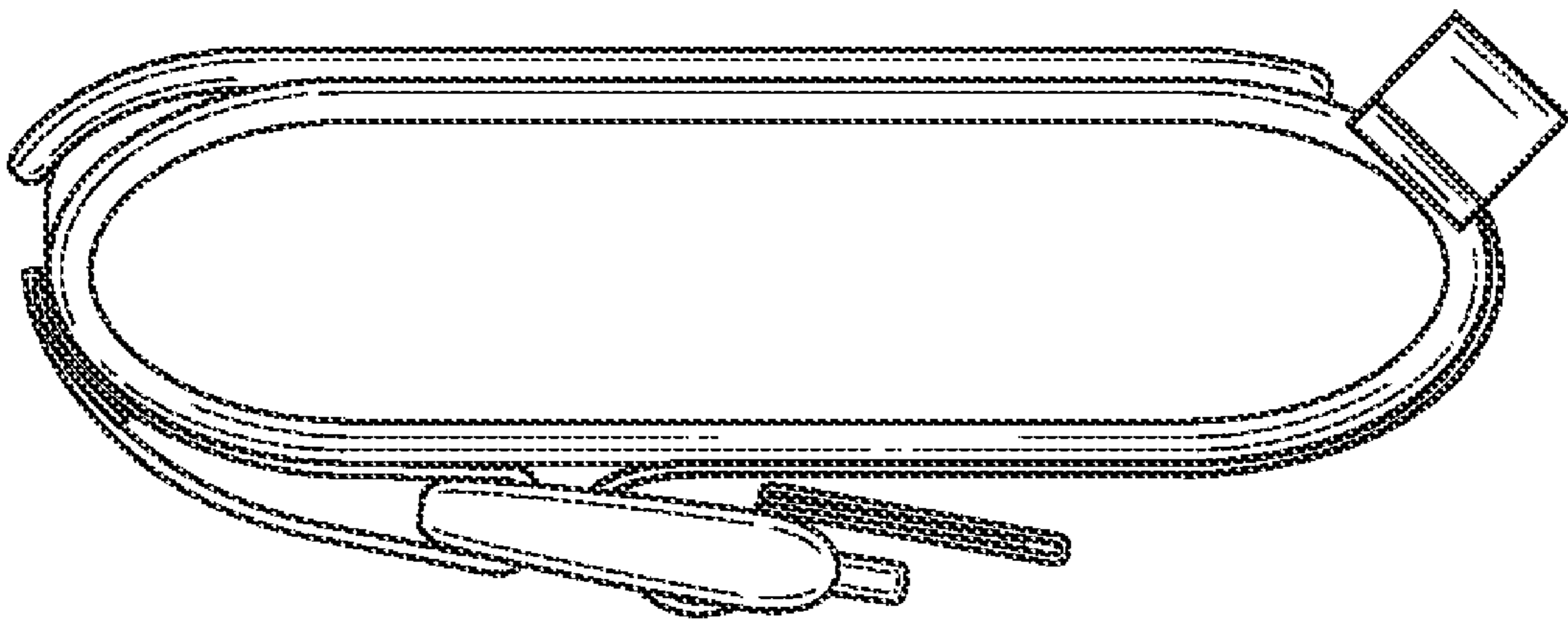


FIG. 5



**FIG. 6**



**FIG. 7**

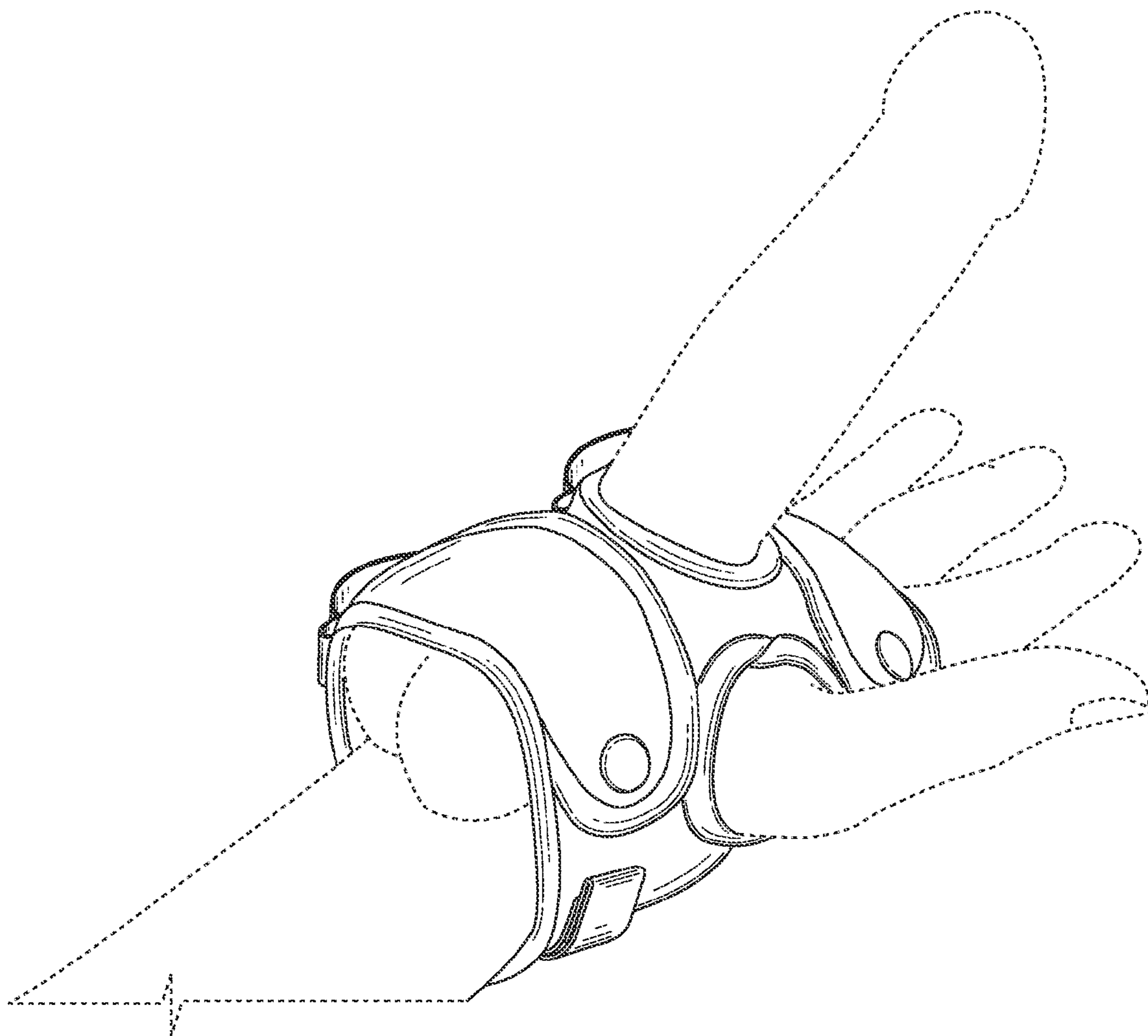


FIG. 8