



US00D621055S

(12) **United States Design Patent**
Astin

(10) **Patent No.:** **US D621,055 S**
(45) **Date of Patent:** **** Aug. 3, 2010**

(54) **HAND MOUNTED PHALLUS RETENTION PANEL**

(76) Inventor: **C. Tres Astin**, 375 N. Stephanie St., Suite 1411, Henderson, CA (US) 89014

(**) Term: **14 Years**

(21) Appl. No.: **29/352,829**

(22) Filed: **Dec. 28, 2009**

(51) **LOC (9) Cl.** **24-02**

(52) **U.S. Cl.** **D24/200**

(58) **Field of Classification Search** D24/200, D24/214, 211, 215, 189, 190; 600/38, 39; 601/46, 101, 87, 84, 80, 70, 67, 78, 85; D29/113, D29/117.1, 117.2, 120.1, 121.1, 121.2, 122, D29/100, 101.1–101.5; D30/151, 152
See application file for complete search history.

(56) **References Cited**

U.S. PATENT DOCUMENTS

496,747	A	5/1893	Polock	
745,264	A	11/1903	Todd	
2,264,934	A	12/1941	Cronk	
4,471,772	A	9/1984	Miller, Jr.	
4,488,541	A	12/1984	Garcia	
4,622,962	A	11/1986	Kauffman	
4,660,551	A	4/1987	Nishimura	
4,724,829	A *	2/1988	Knapps	600/41
4,967,768	A	11/1990	Tatro	
D320,871	S *	10/1991	Bothof et al.	D29/113
5,103,810	A	4/1992	Chang	
5,353,440	A *	10/1994	Meldeau	2/161.1
D362,927	S *	10/1995	McCrane	D29/117.1
D367,731	S *	3/1996	Estwanik	D29/117.1

(Continued)

OTHER PUBLICATIONS

<http://www.smittenkittenonline.com/strap-on-harnesses/other-harnesses/five-finger-palm-harness.html>. Accessed Apr. 8, 2010.*

(Continued)

Primary Examiner—Cathron C Brooks

Assistant Examiner—Melanie Levy

(74) *Attorney, Agent, or Firm*—O’Connell Law Firm

(57) **CLAIM**

The ornamental design for a hand mounted phallus retention panel, as shown and described.

DESCRIPTION

FIG. 1 is a perspective view of the hand mounted phallus retention panel with the retention flap in an open position;

FIG. 2 is a top plan view of the hand mounted phallus retention panel of FIG. 1;

FIG. 3 is a bottom plan view of the hand mounted phallus retention panel of FIG. 1;

FIG. 4 is a view in front elevation of the hand mounted phallus retention panel of FIG. 1;

FIG. 5 is a view in rear elevation of the hand mounted phallus retention panel of FIG. 1;

FIG. 6 is a view in left side elevation of the hand mounted phallus retention panel of FIG. 1;

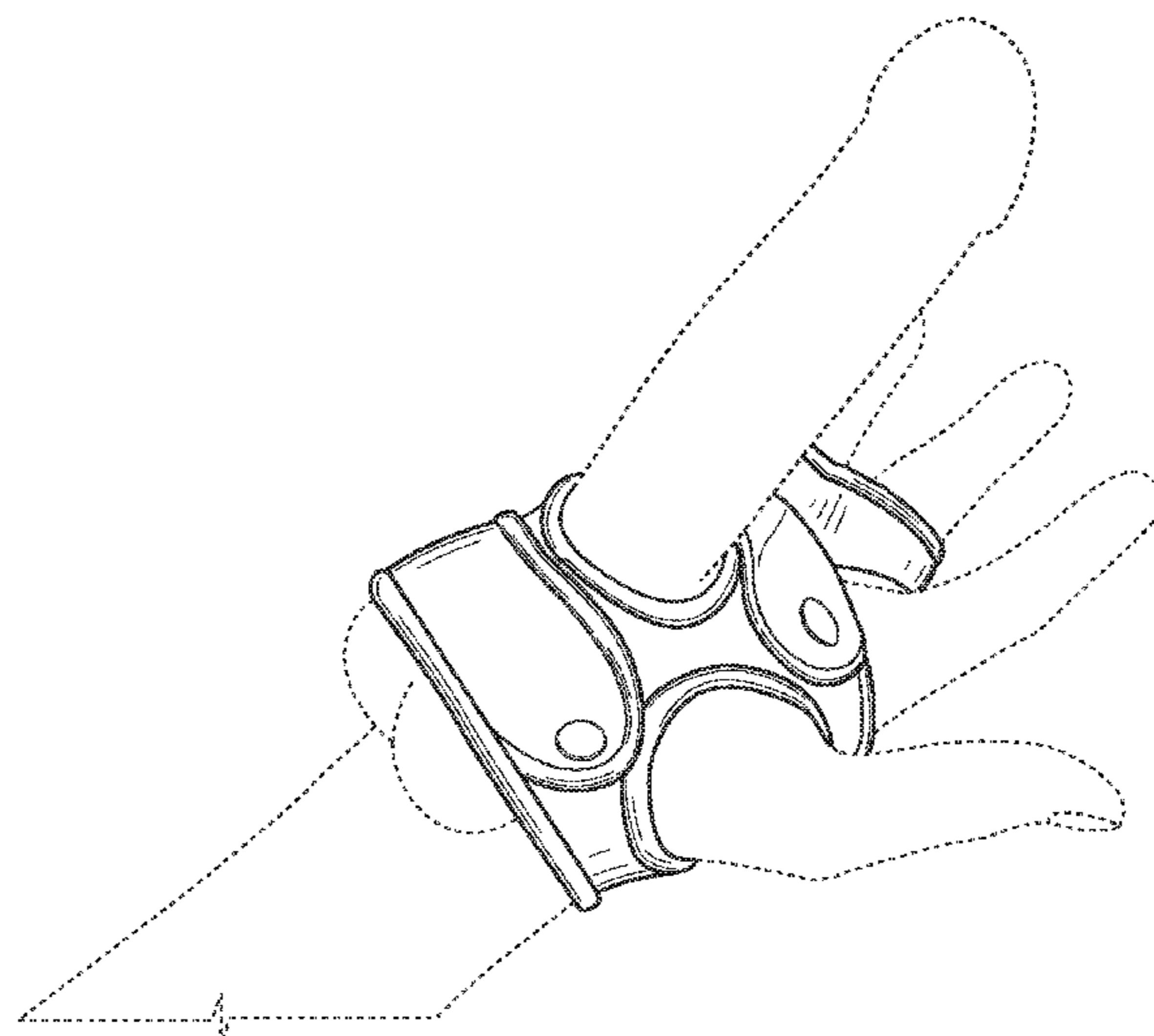
FIG. 7 is a view in right side elevation of the hand mounted phallus retention panel of FIG. 1; and,

FIG. 8 is a perspective view of the hand mounted phallus retention panel of FIG. 1 retaining a phallus and applied to a hand.

The broken line showing of the human body in FIG. 8 is environmental matter which forms no part of the claimed design.

The broken lines on the hand mounted phallus retention panel represent stitching.

1 Claim, 6 Drawing Sheets



US D621,055 S

Page 2

U.S. PATENT DOCUMENTS

D401,341 S 11/1998 Poubouridis
5,893,827 A 4/1999 Jaquez et al.
D410,742 S 6/1999 Coolidge
6,123,664 A 9/2000 Ard
6,547,717 B1 * 4/2003 Green et al. 600/38
6,553,574 B1 * 4/2003 Hall et al. 601/40
6,656,139 B2 12/2003 Zvezdaryk
6,849,041 B2 2/2005 Astin

D571,051 S * 6/2008 Matthews D29/117.1

OTHER PUBLICATIONS

Outlaw Leather, Five-Finger, web site address: <http://www.outlawseattle.com/5finger.htm>, Outlaw Leather, Seattle, WA, USA.
Wild Hearts (retailer for sex toys), Fukuoku Massage Glove (manufactured by Fukuoku but sold on the Wild Hearts web site), web site address: <http://wildhearts.com/fukuokumassageglove.aspx>, Wild Hearts, Provincetown, MA, USA.

* cited by examiner

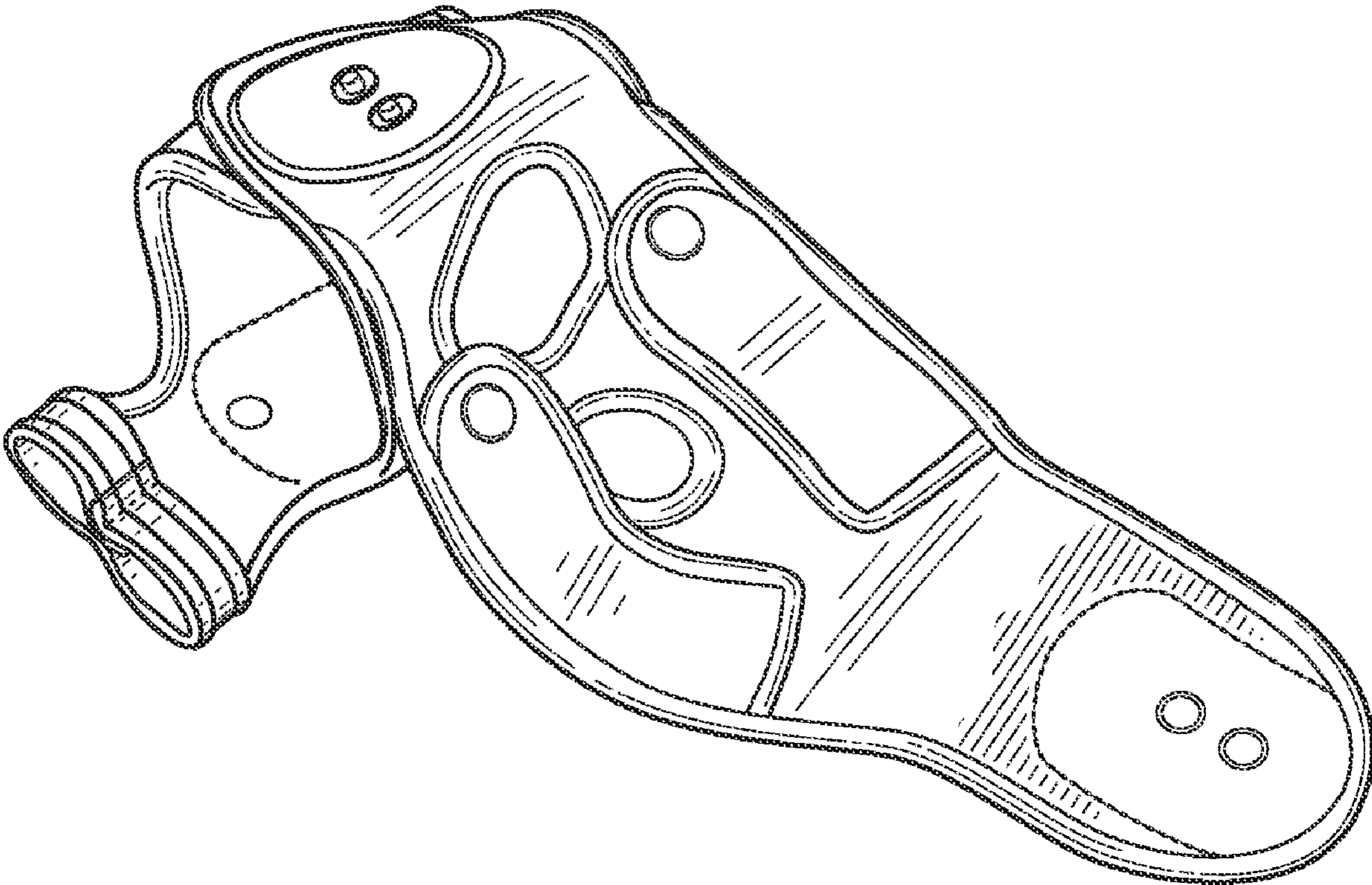


FIG. 1

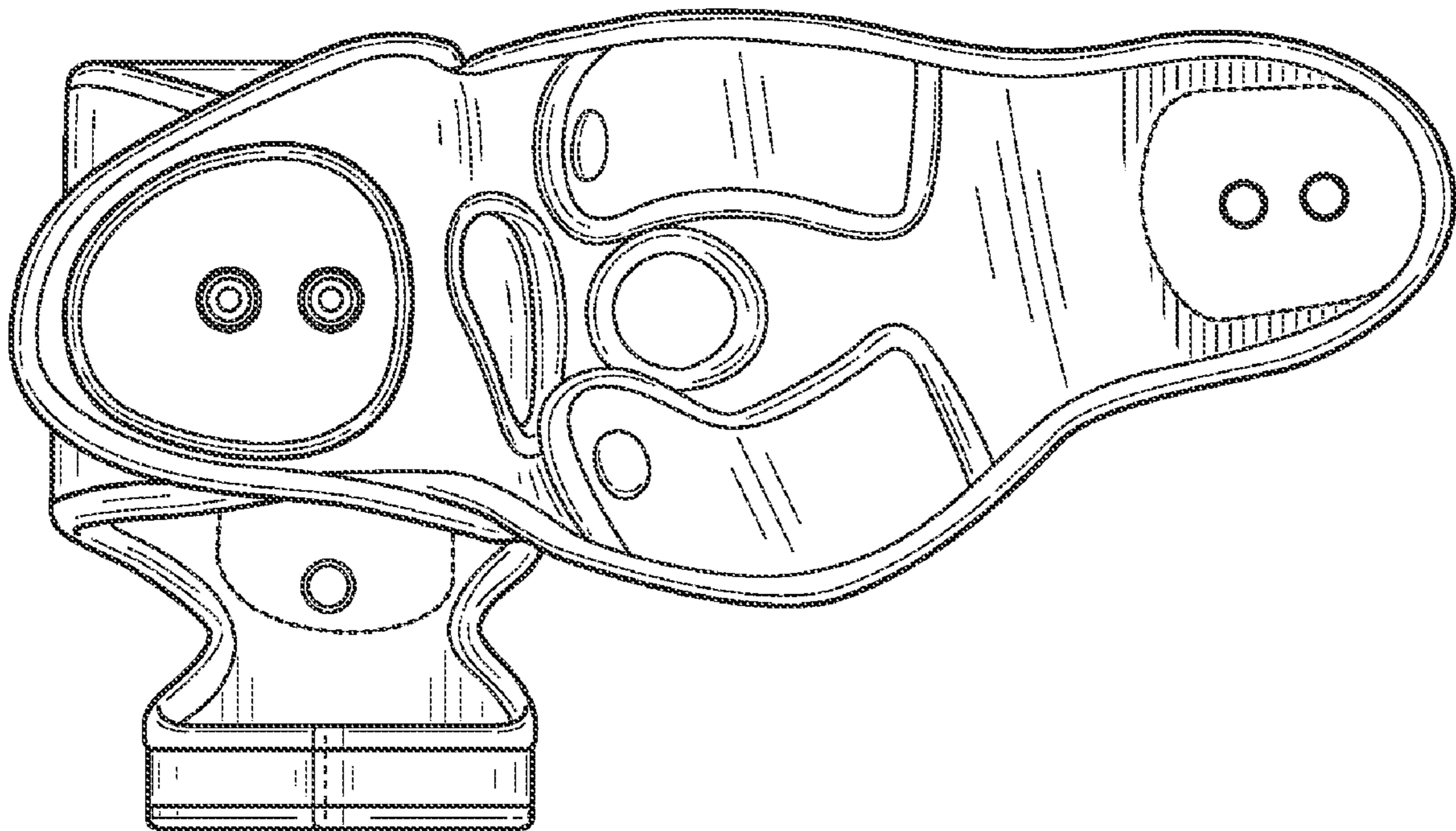


FIG. 2

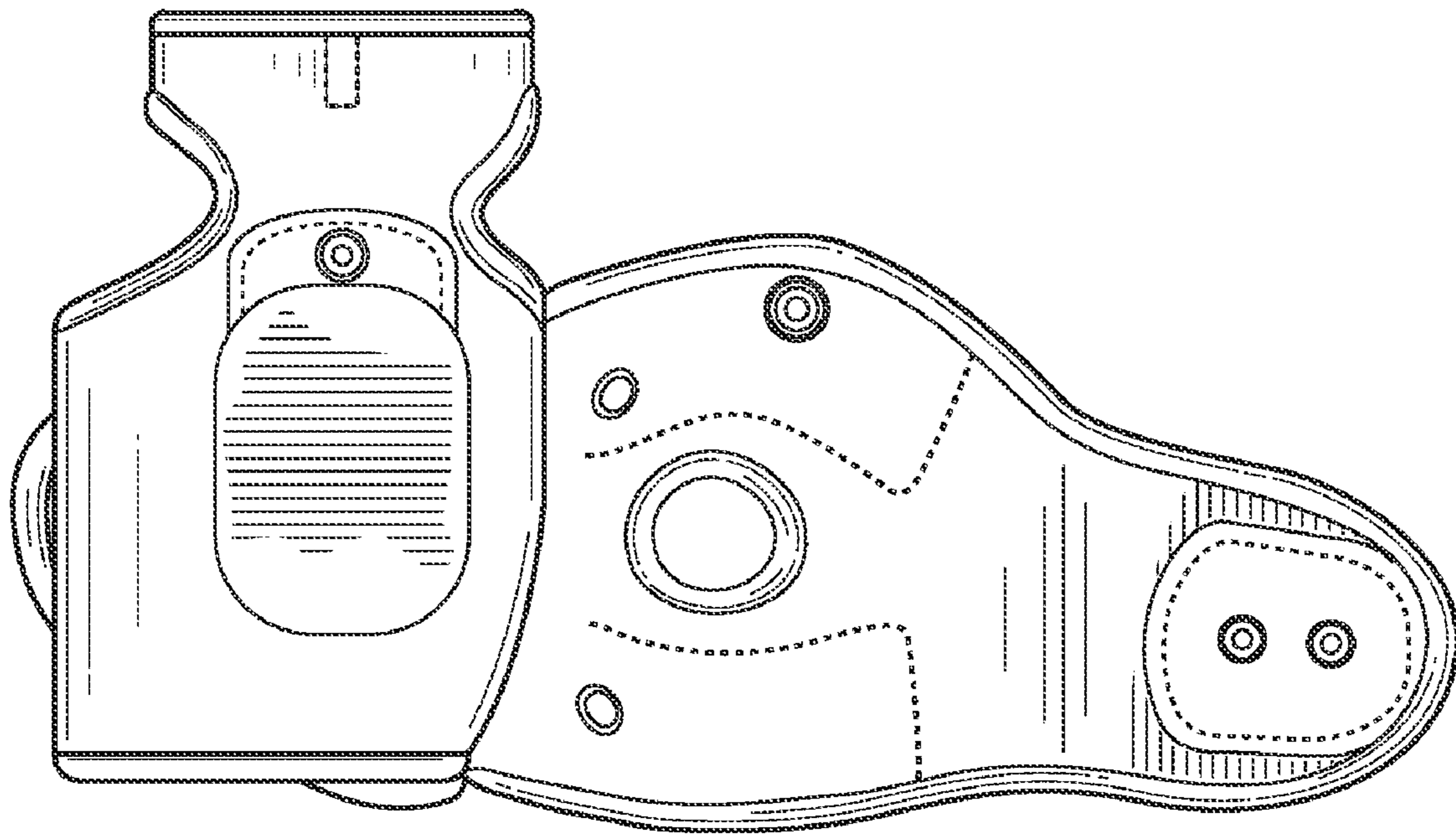


FIG. 3



FIG. 4

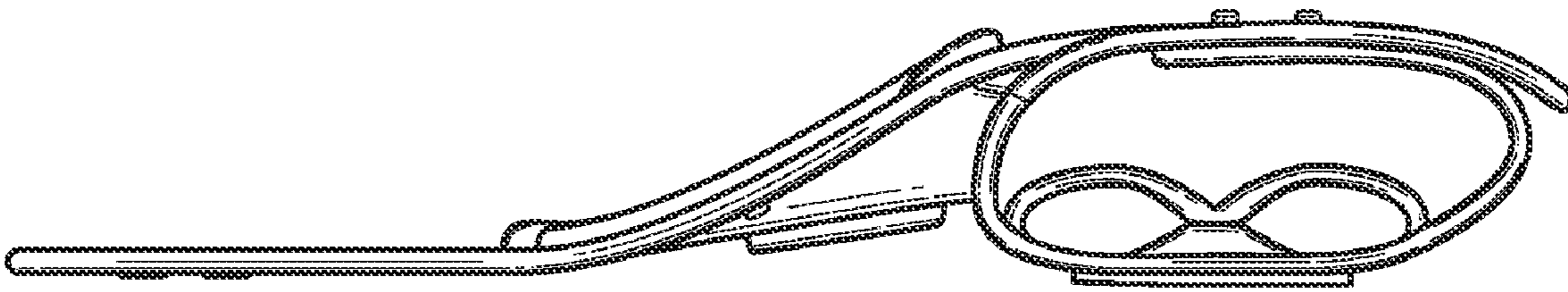


FIG. 5

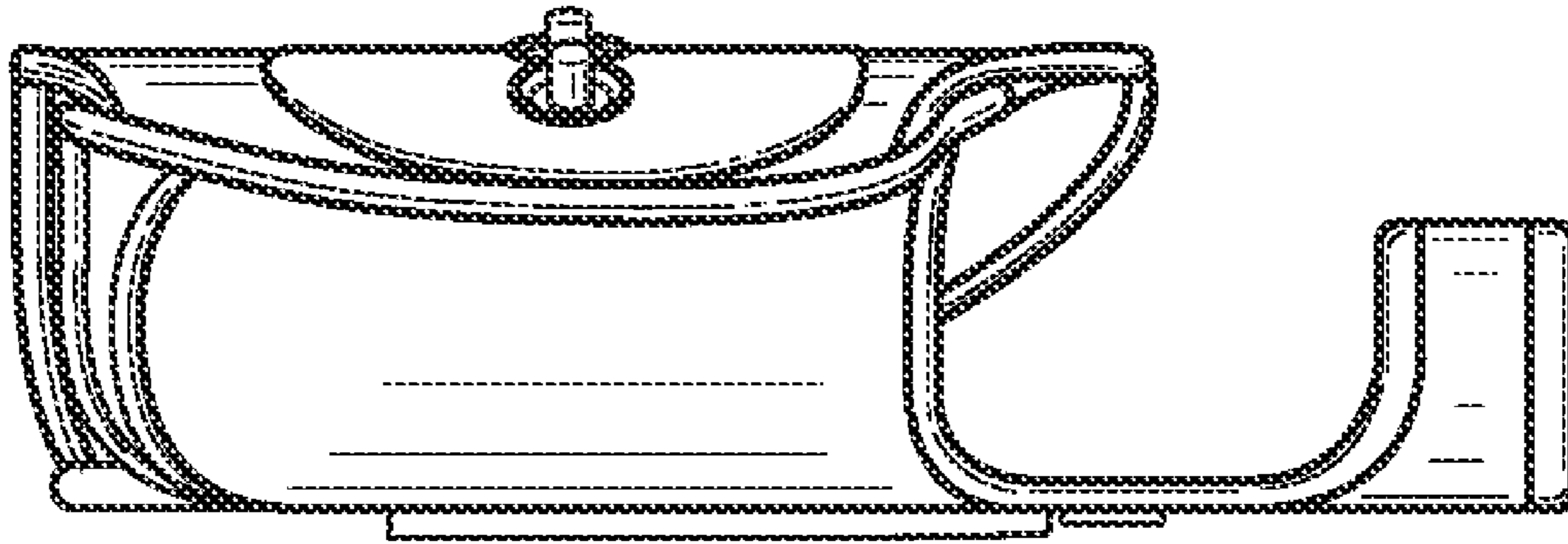


FIG. 6

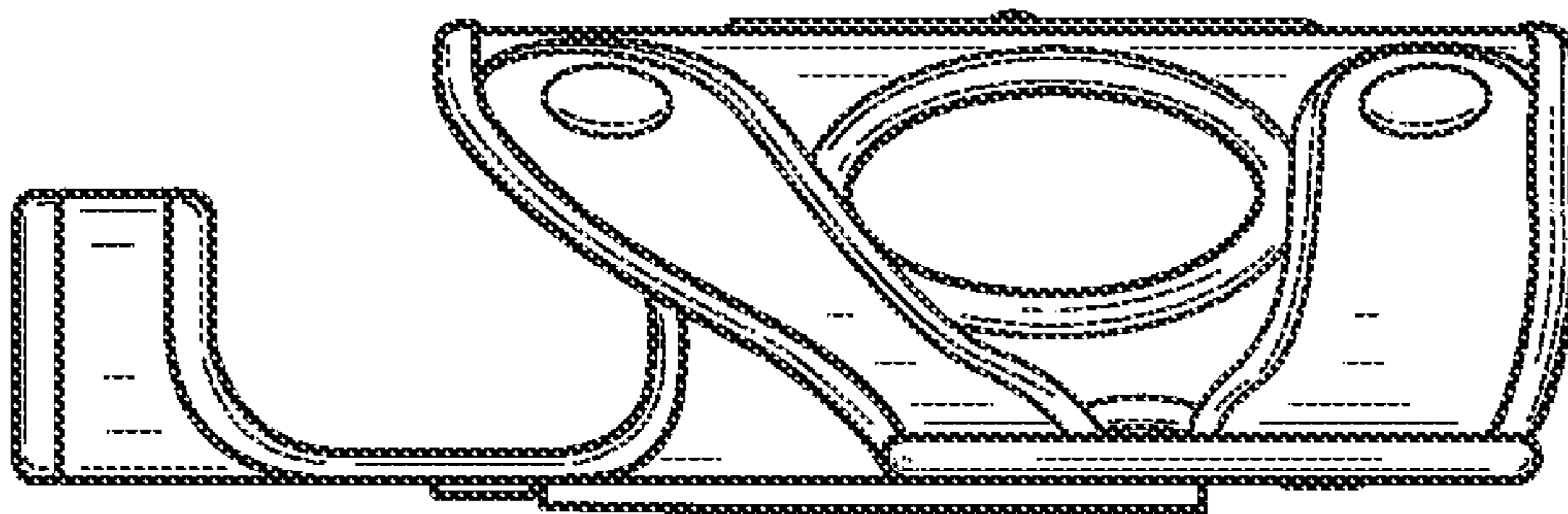


FIG. 7

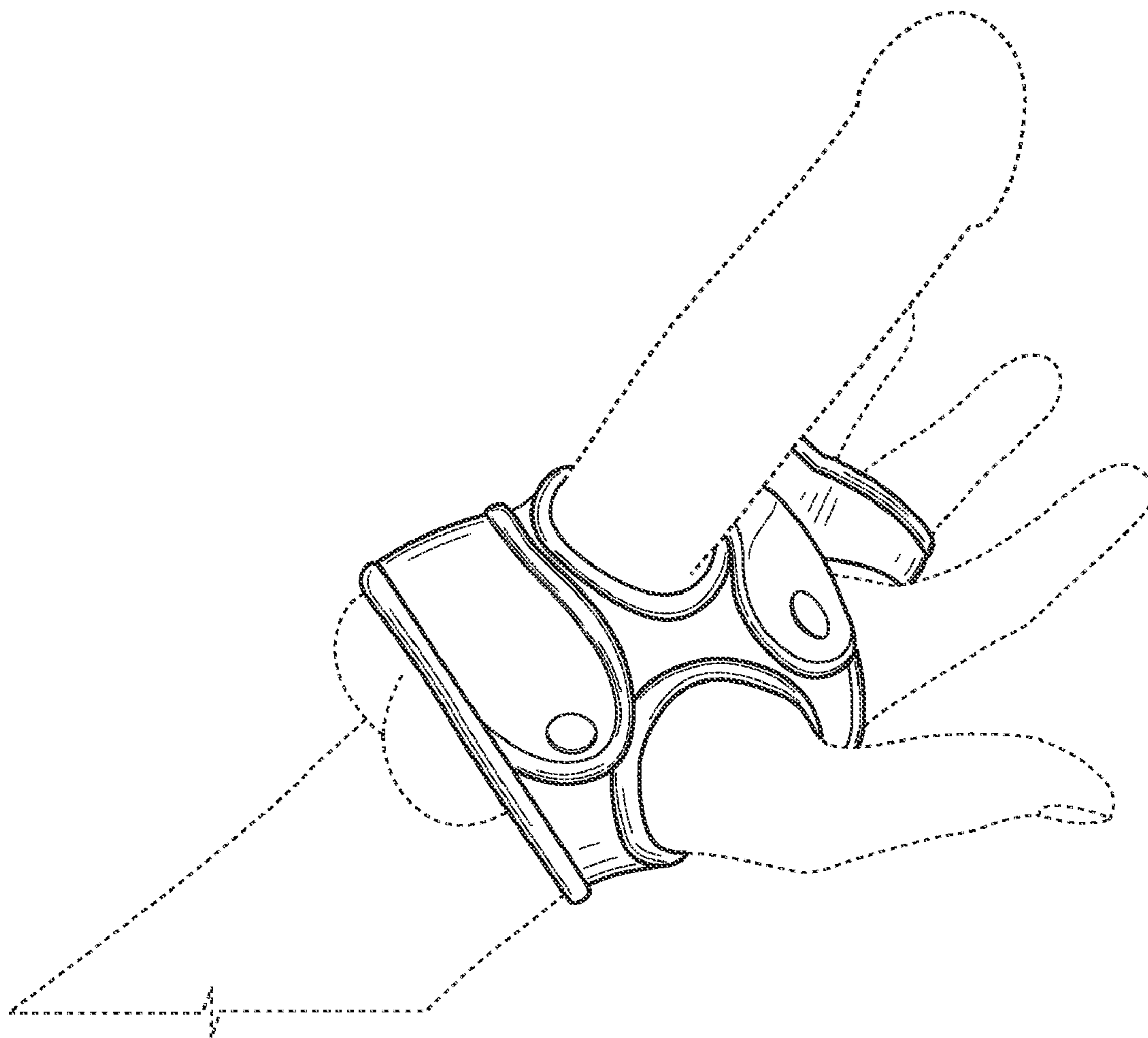


FIG. 8