



US00D621045S

(12) **United States Design Patent**  
**Trissel et al.**

(10) **Patent No.:** **US D621,045 S**

(45) **Date of Patent:** **\*\* \*Aug. 3, 2010**

(54) **LANCET**

(75) Inventors: **John Trissel**, Canton, GA (US); **Lauren Pusey**, Woodstock, GA (US); **Christopher J. Ruf**, Marietta, GA (US)

(73) Assignee: **Facet Technologies, LLC**, Kennesaw, GA (US)

(\*\*) Term: **14 Years**

(21) Appl. No.: **29/339,576**

(22) Filed: **Jul. 2, 2009**

(51) **LOC (9) Cl.** ..... **24-02**

(52) **U.S. Cl.** ..... **D24/147**

(58) **Field of Classification Search** ..... D24/113, D24/114, 130, 133, 146-147; 600/385, 573, 600/583; 606/167, 172, 181-185; 210/453  
See application file for complete search history.

(56) **References Cited**

**U.S. PATENT DOCUMENTS**

3,358,689 A 12/1967 Higgins

(Continued)

**FOREIGN PATENT DOCUMENTS**

EP 0595148 A1 5/1994

(Continued)

**OTHER PUBLICATIONS**

Anhul Kangda (Shanghai Care Life), Thin Lancets; date unknown; 2 pgs.

(Continued)

*Primary Examiner*—Freda S Nunn

(74) *Attorney, Agent, or Firm*—Gardner Groff Greenwald & Villanueva, PC

(57) **CLAIM**

The ornamental design for a lancet, substantially as shown and described.

**DESCRIPTION**

FIG. 1 is a first perspective view of a lancet according to the present design in a first state.

FIG. 2 is a first side view of the lancet of FIG. 1.

FIG. 3 is a second side view of the lancet of FIG. 1.

FIG. 4 is a top view of the lancet of FIG. 1.

FIG. 5 is a bottom view of the lancet of FIG. 1.

FIG. 6 is a first end view of the lancet of FIG. 1.

FIG. 7 is a second end view of the lancet of FIG. 1.

FIG. 8 is a second perspective view of the lancet of FIG. 1.

FIG. 9 is a first perspective view of a lancet according to the present design in a second state.

FIG. 10 is a first side view of the lancet of FIG. 9.

FIG. 11 is a second side view of the lancet of FIG. 9.

FIG. 12 is a top view of the lancet of FIG. 9.

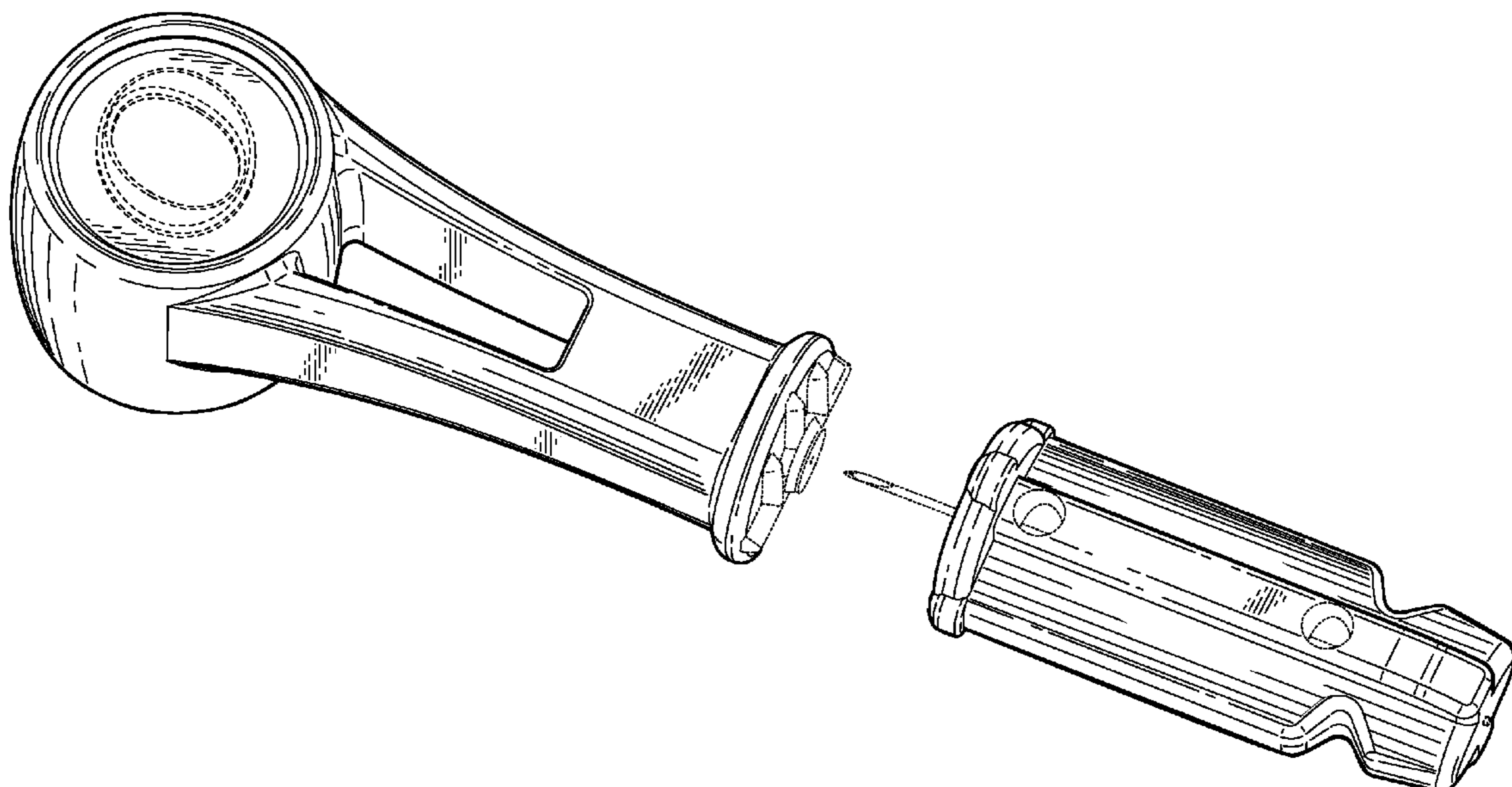
FIG. 13 is a bottom view of the lancet of FIG. 9.

FIG. 14 is a first end view of the lancet of FIG. 9; and,

FIG. 15 is a second end view of the lancet of FIG. 9.

Portions shown in broken lines are for illustrative purposes only and form no part of the claimed design.

**1 Claim, 9 Drawing Sheets**



# US D621,045 S

Page 2

## U.S. PATENT DOCUMENTS

4,577,630 A 3/1986 Nitzsche et al.  
4,889,117 A 12/1989 Stevens  
4,990,154 A 2/1991 Brown et al.  
5,314,442 A 5/1994 Morita  
5,324,303 A 6/1994 Strong et al.  
5,385,571 A 1/1995 Morita  
5,454,828 A 10/1995 Schraga  
5,569,286 A \* 10/1996 Peckham et al. .... 606/181  
5,868,772 A \* 2/1999 LeVaughn et al. .... 606/181  
D445,183 S \* 7/2001 McWethy et al. .... D24/130  
6,322,574 B1 \* 11/2001 Lloyd et al. .... 606/181  
6,589,261 B1 \* 7/2003 Abulhaj et al. .... 606/181  
D484,244 S \* 12/2003 Starnes ..... D24/146  
6,723,111 B2 \* 4/2004 Abulhaj et al. .... 606/181  
D493,527 S \* 7/2004 Szabo ..... D24/133  
6,945,982 B2 9/2005 Marshall et al.  
D533,943 S \* 12/2006 Chen ..... D24/146  
7,150,755 B2 12/2006 Levaughn et al.  
D535,397 S \* 1/2007 Chen ..... D24/146  
D562,980 S \* 2/2008 Marshall ..... D24/146  
D567,944 S 4/2008 Sarna  
7,357,808 B2 4/2008 Kennedy

D570,478 S \* 6/2008 Sudo ..... D24/130  
D581,046 S \* 11/2008 Sudo ..... D24/130  
D586,465 S \* 2/2009 Faulkner et al. .... D24/146  
D586,916 S \* 2/2009 Faulkner et al. .... D24/146  
7,655,017 B2 2/2010 Starnes  
7,670,301 B2 3/2010 Roe  
2003/0109895 A1 6/2003 Taylor et al.  
2004/0059365 A1 3/2004 Abulhaj et al.  
2007/0083222 A1 \* 4/2007 Schraga ..... 606/181  
2008/0065132 A1 3/2008 Trissel et al.

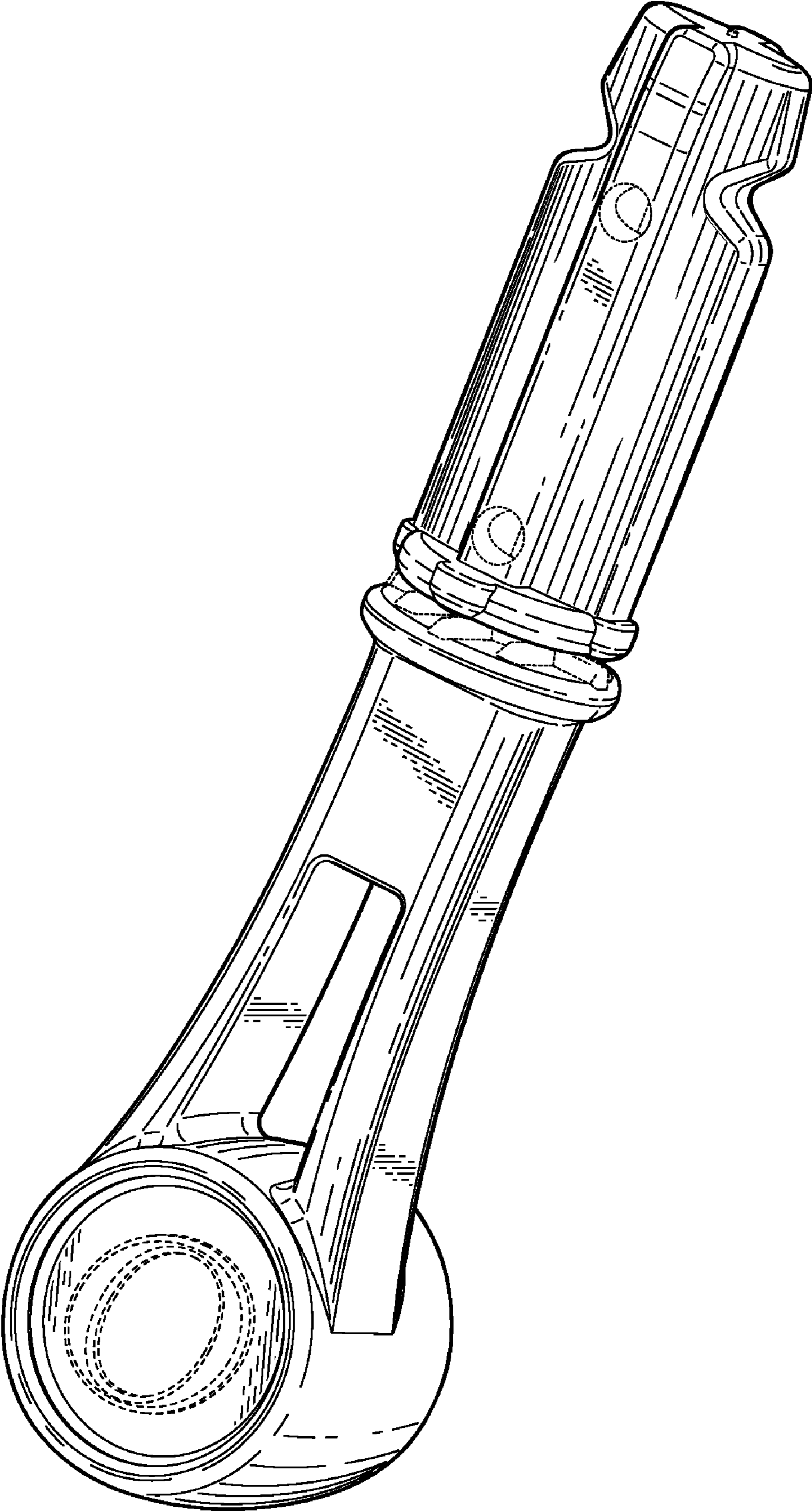
## FOREIGN PATENT DOCUMENTS

EP 0589186 B1 11/1999

## OTHER PUBLICATIONS

Asahi Polyslider, Abbott Thin Lancets; date unknown; 3 pgs.  
Asahi Polyslider, Arkray Multilet Lancet; date unknown; 2 pgs.  
Asahi Polyslider, Facet Technologies (Gainor Medical) Cleanlet  
25G; date unknown; 2 pgs.  
Owen Mumford, Unilet ComforTouch; date unknown; 2 pgs.  
Owen Mumford, Unilet ExceLite; date unknown; 2 pgs.  
Owen Mumford, Unilet GP Superlite; date unknown; 2 pgs.

\* cited by examiner



**FIG. 1**

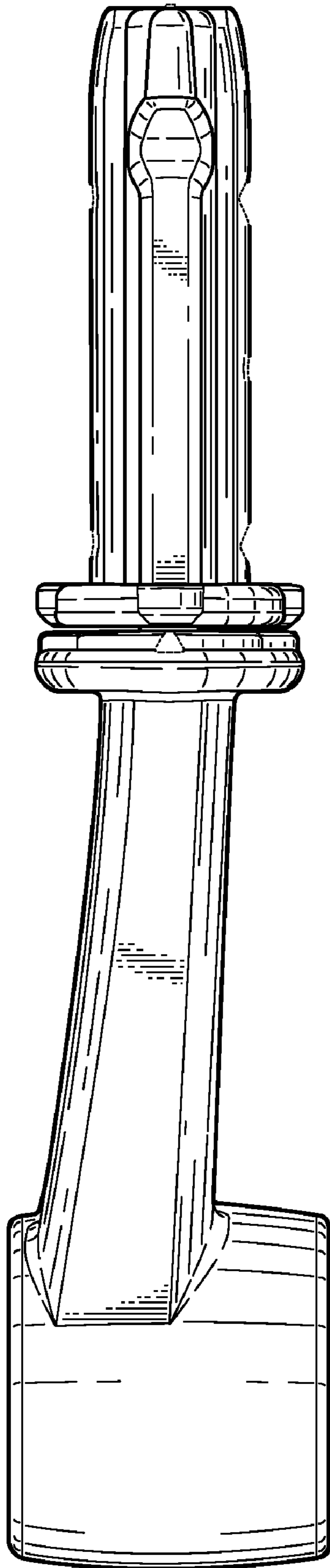


FIG. 2

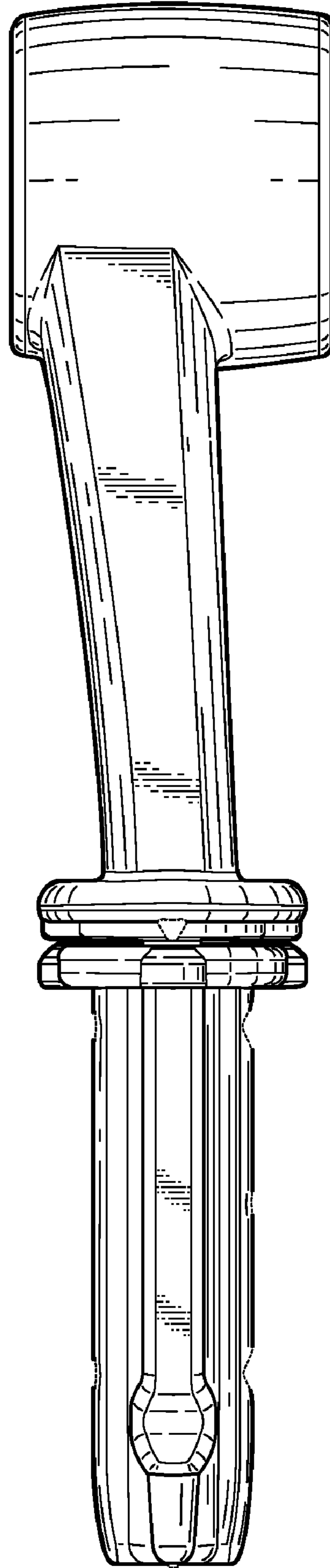


FIG. 3

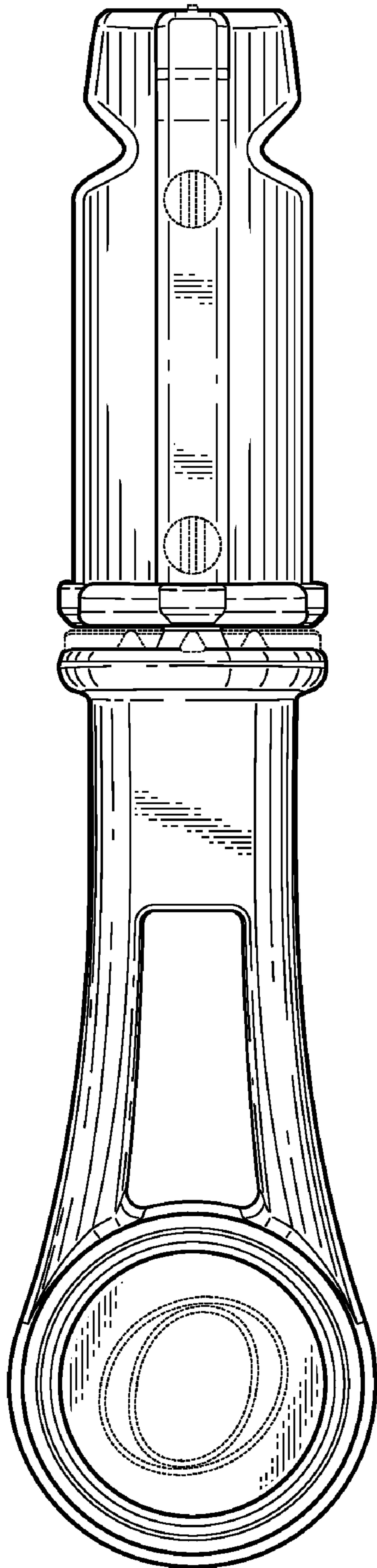


FIG. 4

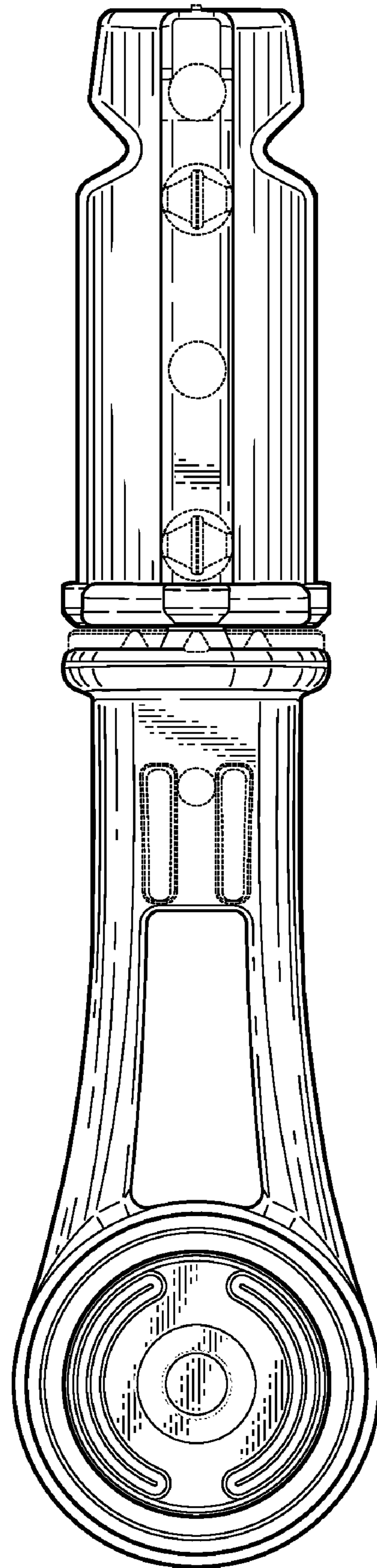
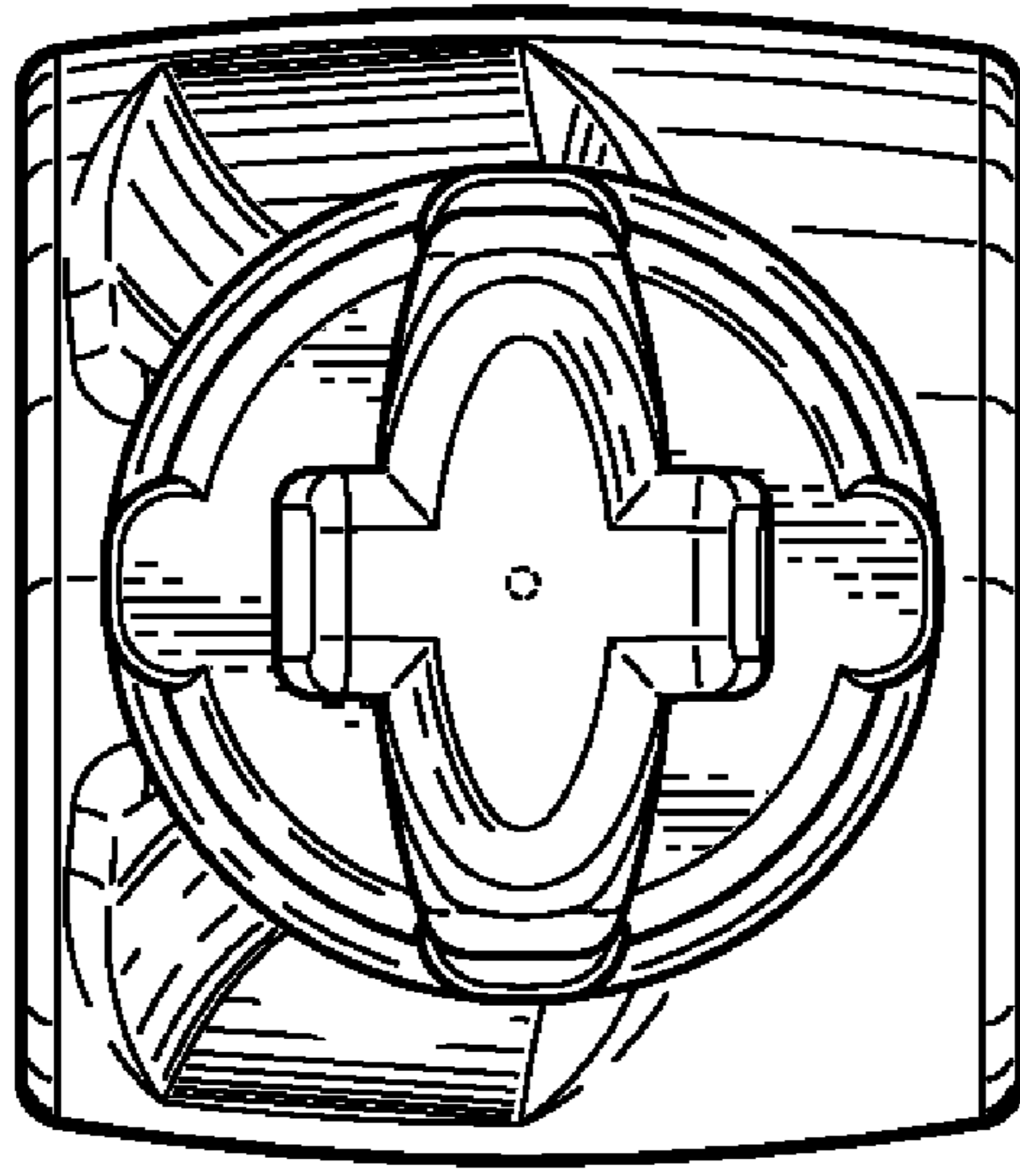
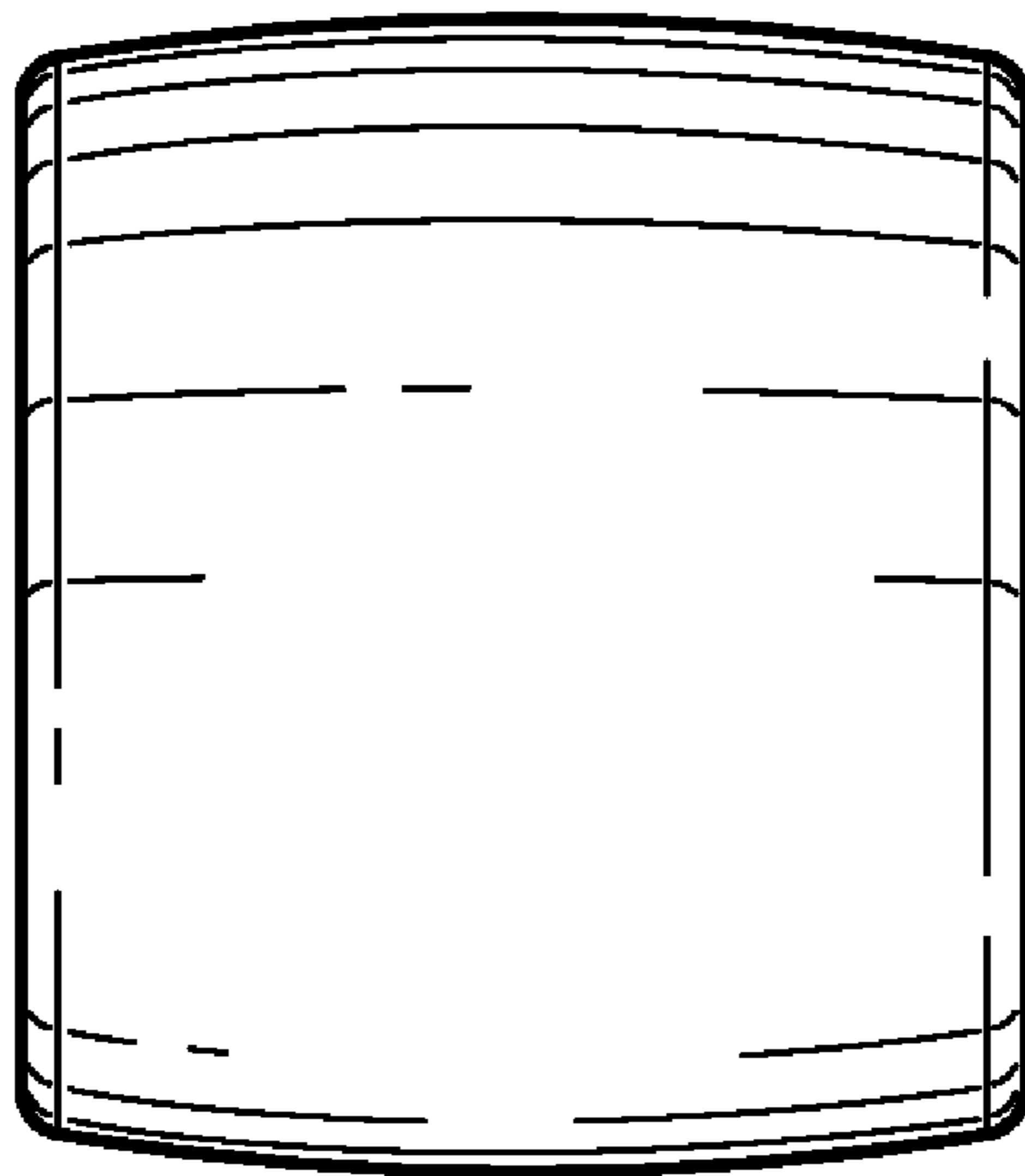


FIG. 5



**FIG. 7**



**FIG. 6**

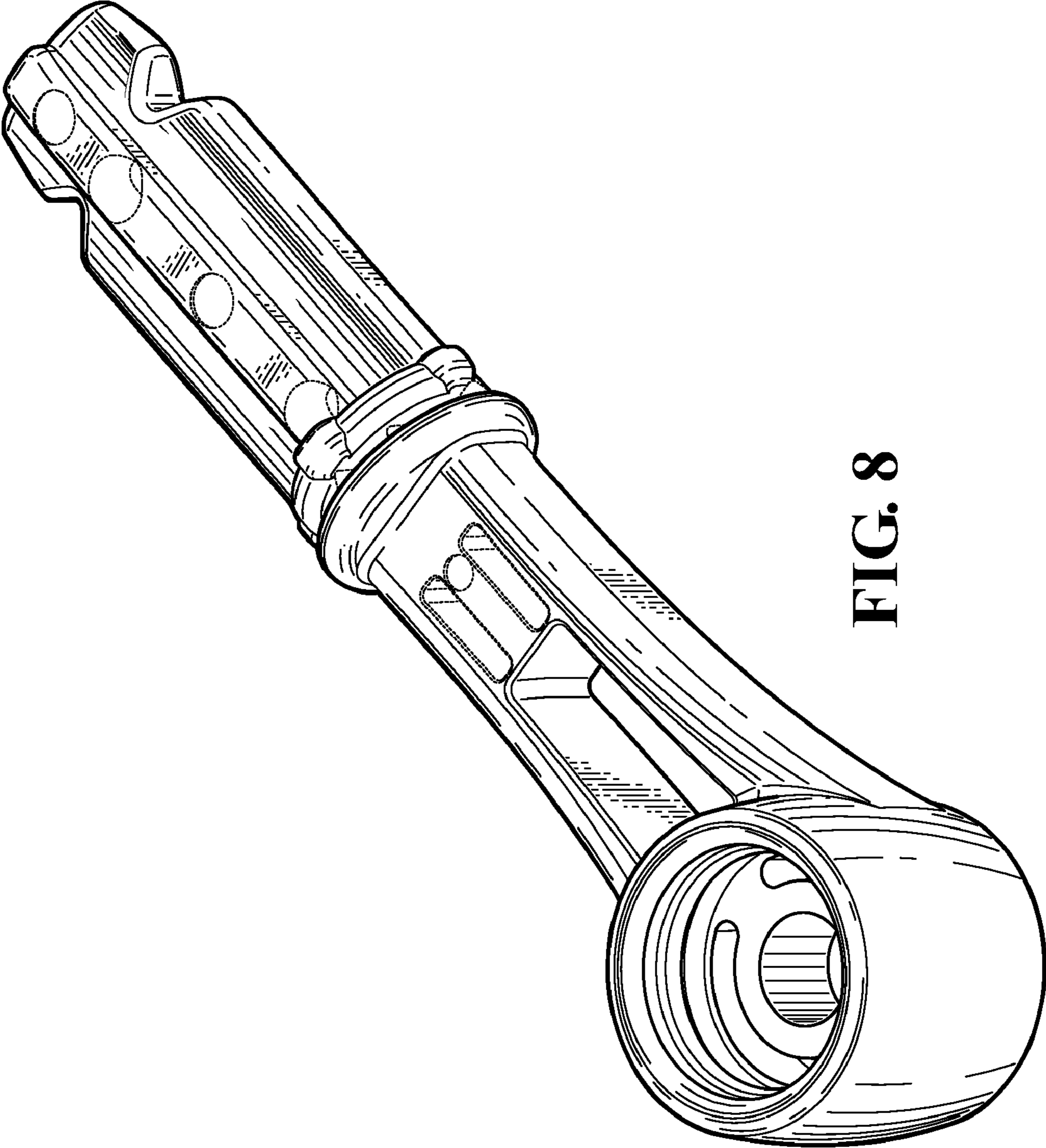


FIG. 8

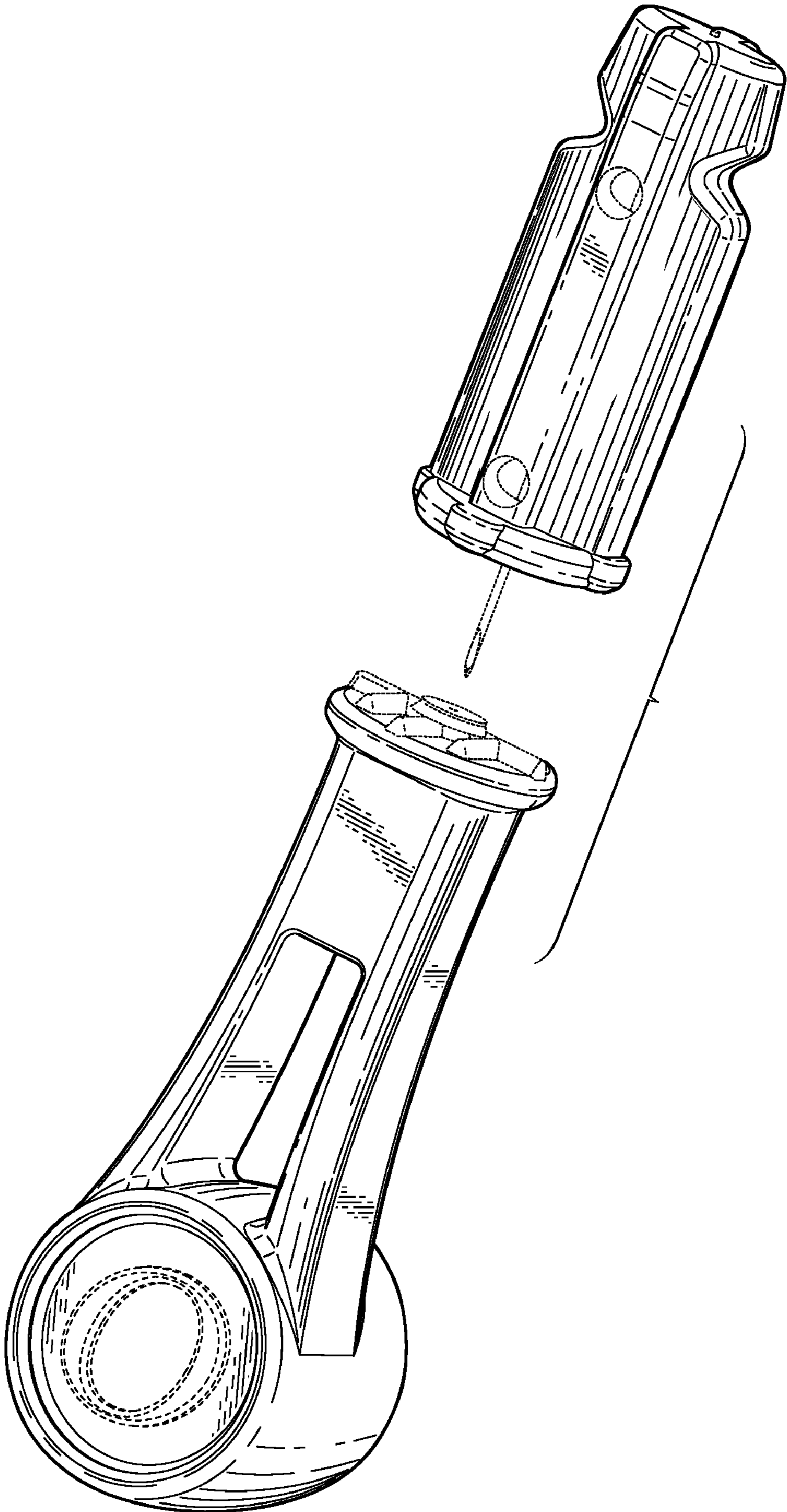
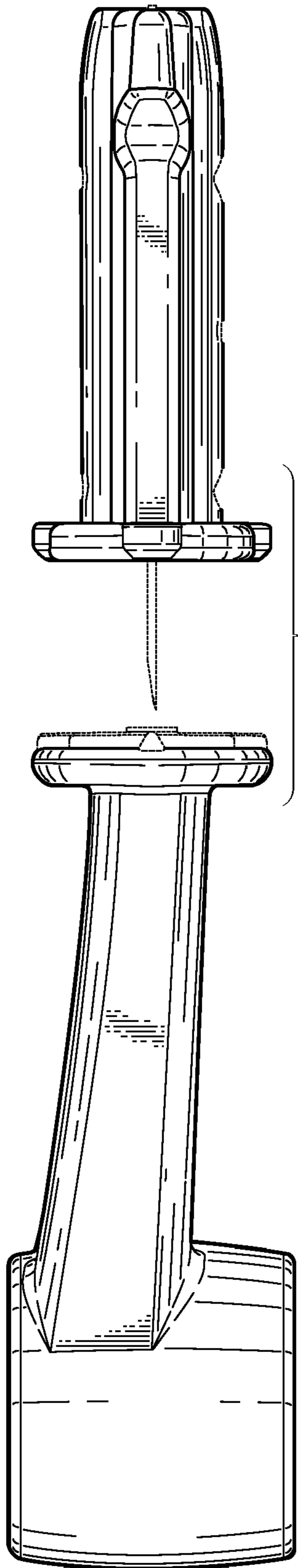
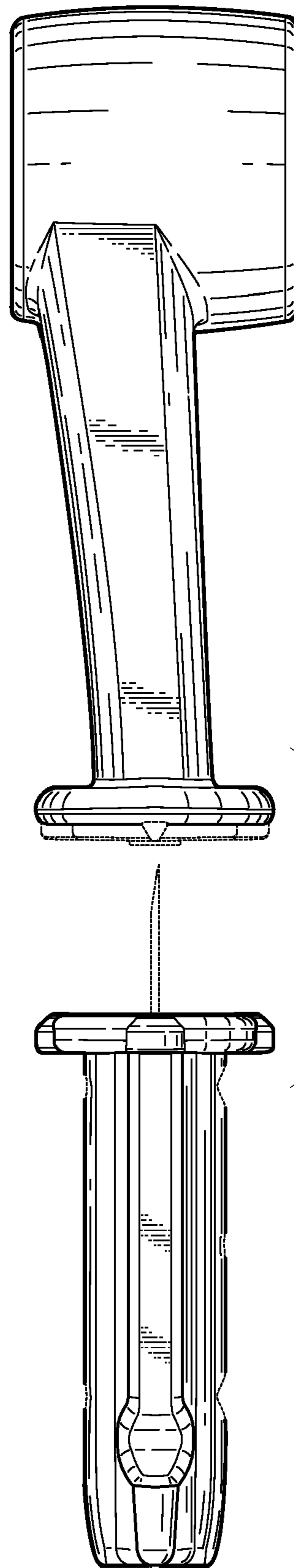


FIG. 9

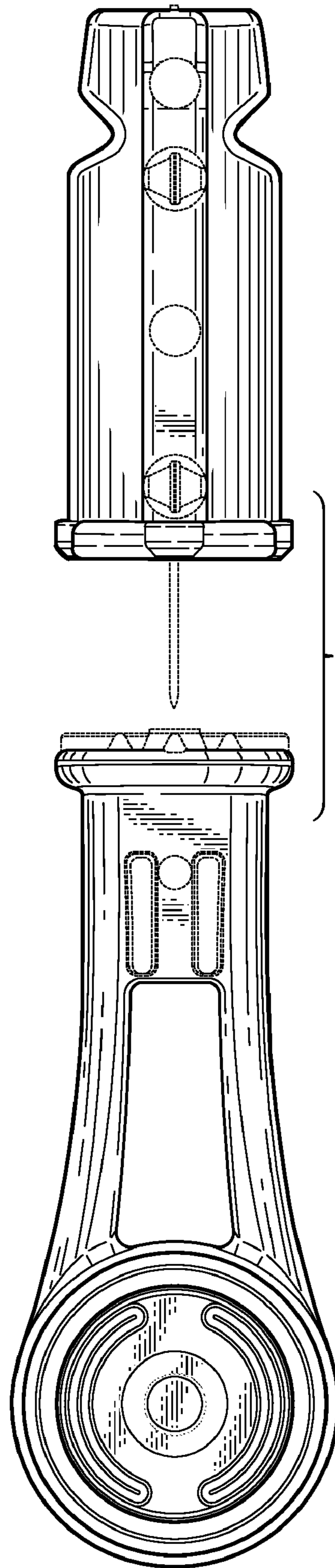
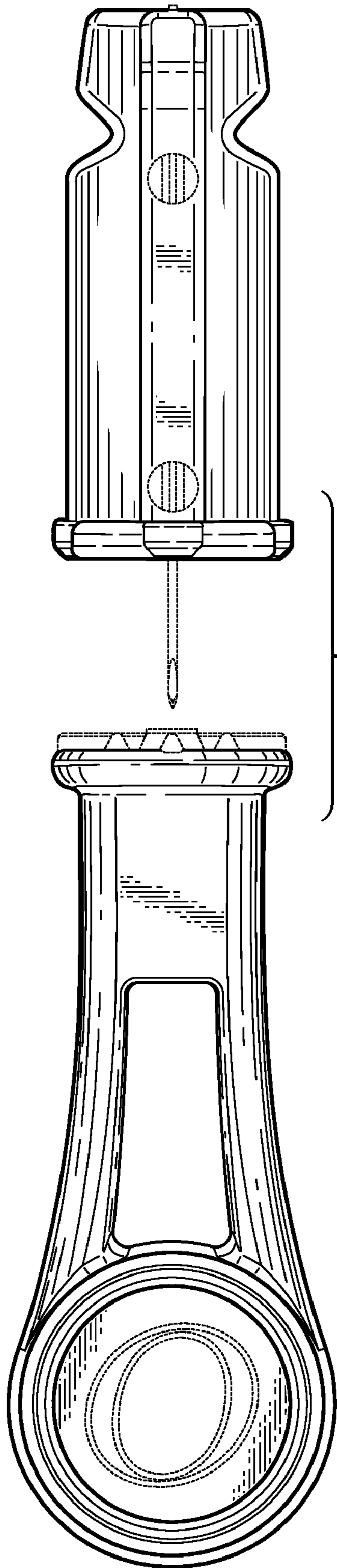


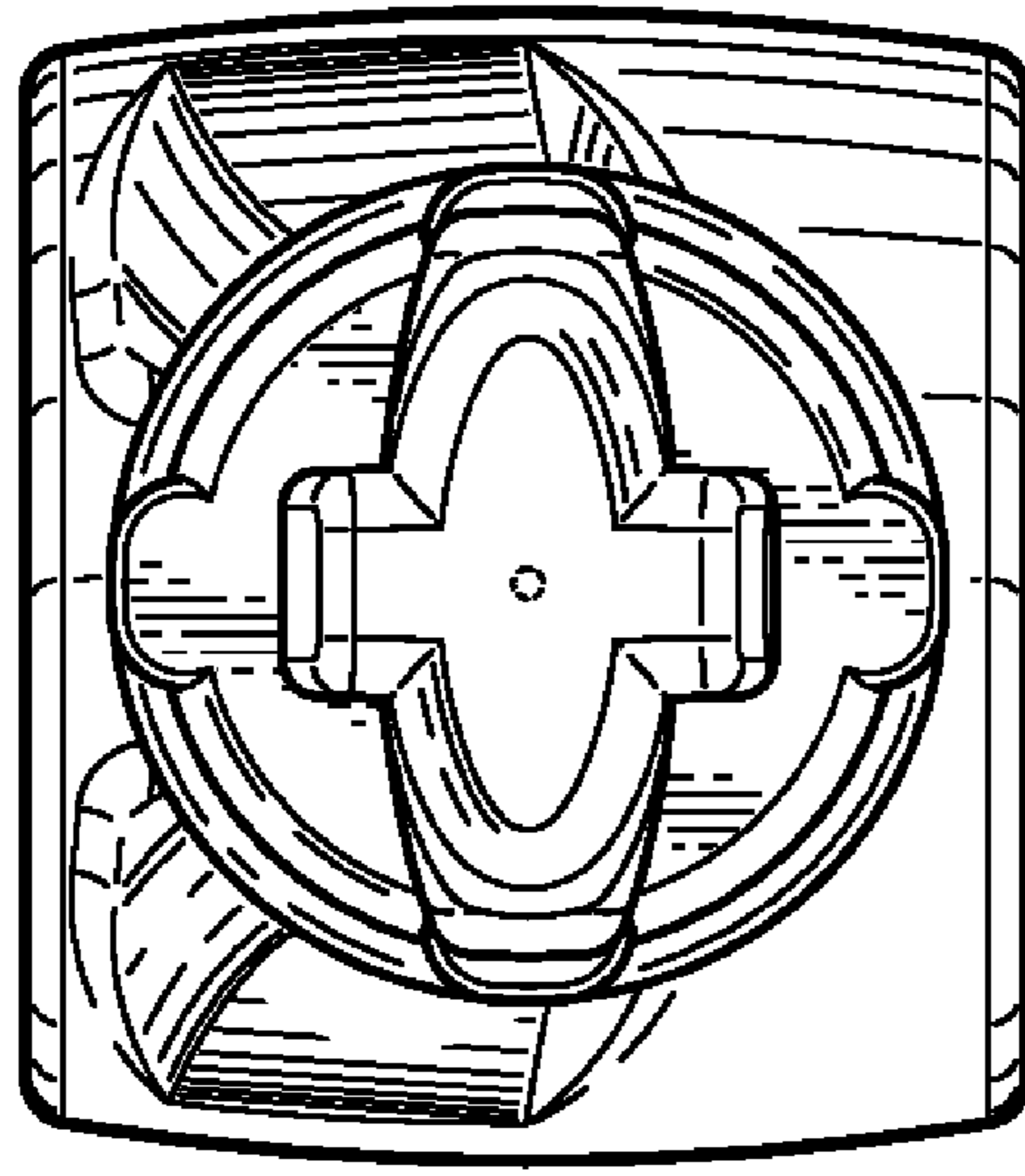


**FIG. 10**

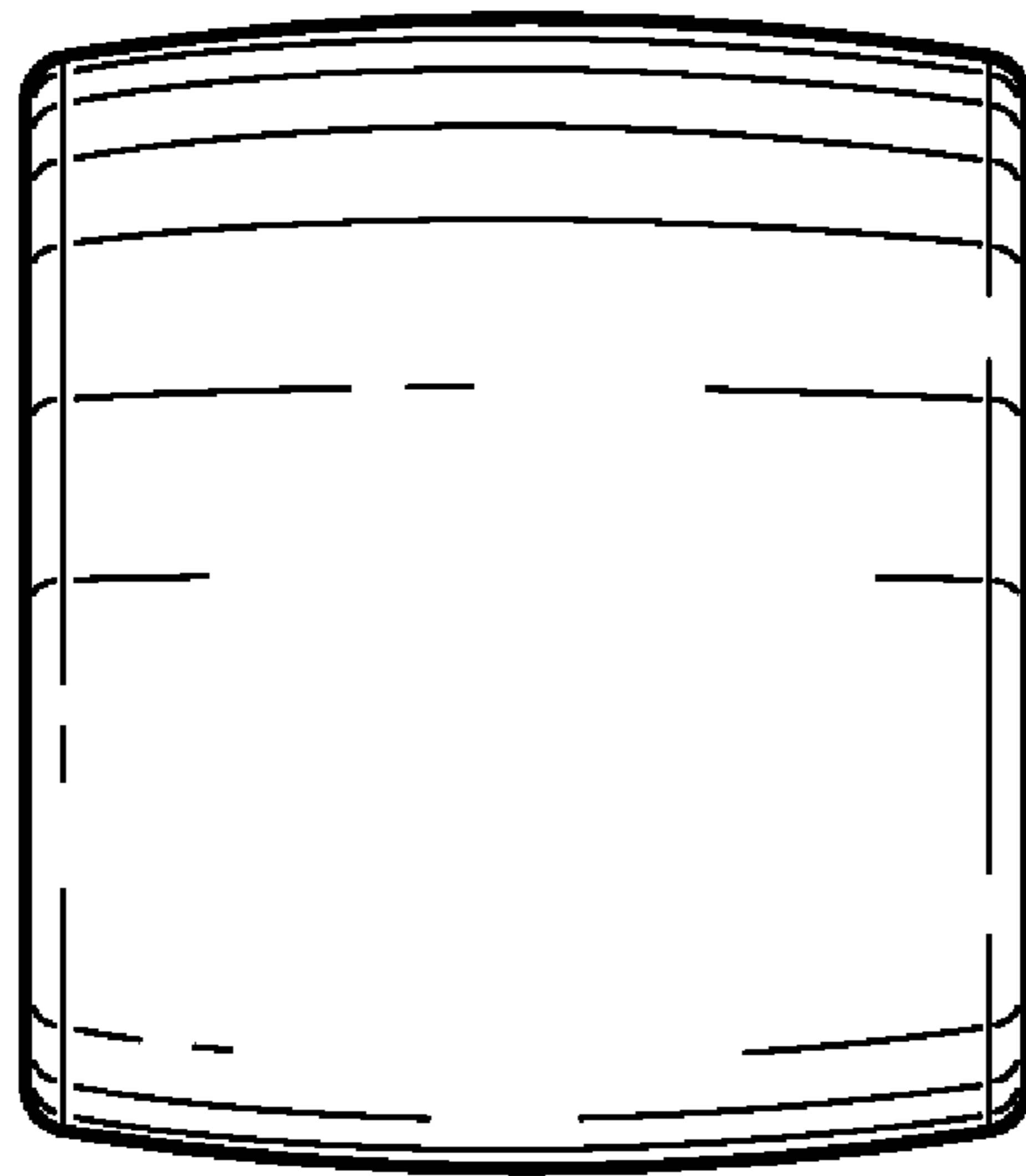


**FIG. 11**





**FIG. 15**



**FIG. 14**