



US00D621044S

(12) **United States Design Patent**
Trissel et al.

(10) **Patent No.:** **US D621,044 S**
(45) **Date of Patent:** **** *Aug. 3, 2010**

(54) **LANCET**
(75) Inventors: **John Trissel**, Canton, GA (US); **Lauren Pusey**, Woodstock, GA (US)
(73) Assignee: **Facet Technologies, LLC**, Kennesaw, GA (US)
(**) Term: **14 Years**

FOREIGN PATENT DOCUMENTS
EP 0595148 A1 5/1994

(Continued)

(21) Appl. No.: **29/339,575**
(22) Filed: **Jul. 2, 2009**

OTHER PUBLICATIONS
Anhui Kangda (Shanghai Care Life), Thin Lancets; date unknown; 2 pgs.

(Continued)

(51) **LOC (9) Cl.** **24-02**
(52) **U.S. Cl.** **D24/147**
(58) **Field of Classification Search** D24/113, D24/114, 130, 133, 146-147; 600/385, 573, 600/583; 606/167, 172, 181-185; 210/453
See application file for complete search history.

Primary Examiner—Freda S Nunn
(74) *Attorney, Agent, or Firm*—Gardner Groff Greenwald & Villanueva, PC

(57) **CLAIM**

The ornamental design for a lancet, substantially as shown and described.

(56) **References Cited**

U.S. PATENT DOCUMENTS

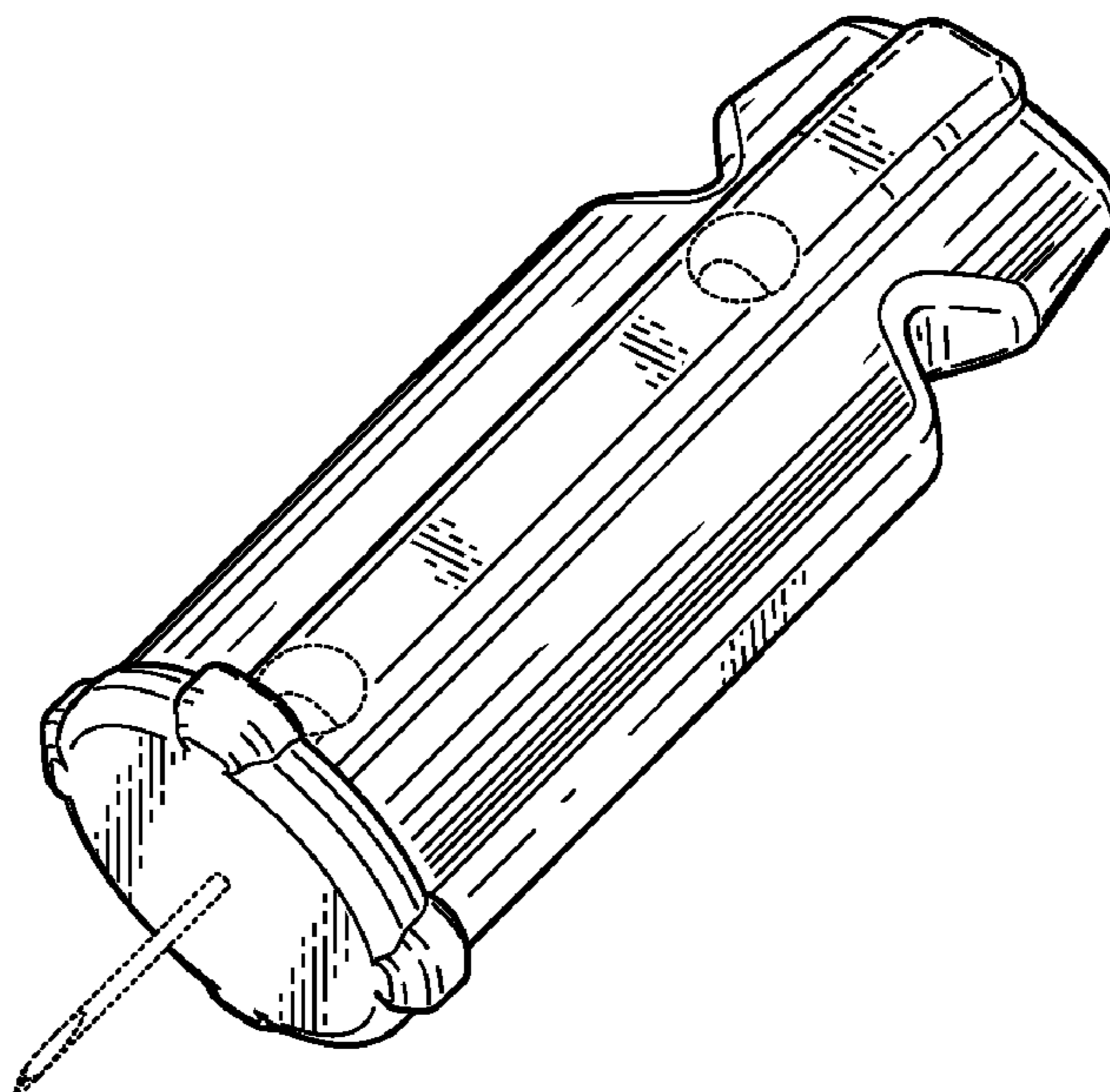
2,839,056	A *	6/1958	Mailly	210/453
3,358,689	A	12/1967	Higgins		
4,577,630	A	3/1986	Nitzsche et al.		
4,889,117	A	12/1989	Stevens		
4,990,154	A	2/1991	Brown et al.		
5,314,442	A	5/1994	Morita		
5,324,303	A	6/1994	Strong et al.		
5,385,571	A	1/1995	Morita		
5,454,828	A	10/1995	Schrage		
5,569,286	A *	10/1996	Peckham et al.	606/181
D445,183	S *	7/2001	McWethy et al.	D24/130
6,322,574	B1 *	11/2001	Lloyd et al.	606/181
6,589,261	B1 *	7/2003	Abulhaj et al.	606/181
D484,244	S	12/2003	Starnes		
6,723,111	B2 *	4/2004	Abulhaj et al.	606/181

DESCRIPTION

FIG. 1 is a first perspective view of a lancet according to the present design.
FIG. 2 is a second perspective view of the lancet of FIG. 1.
FIG. 3 is a first side view of the lancet of FIG. 1.
FIG. 4 is a second side view of the lancet of FIG. 1.
FIG. 5 is a top view of the lancet of FIG. 1.
FIG. 6 is a bottom view of the lancet of FIG. 1.
FIG. 7 is a first end view of the lancet of FIG. 1; and,
FIG. 8 is a second end view of the lancet of FIG. 1.
Portions shown in broken lines are for illustrative purposes only and form no part of the claimed design.

(Continued)

1 Claim, 3 Drawing Sheets



US D621,044 S

Page 2

U.S. PATENT DOCUMENTS

D493,527 S * 7/2004 Szabo D24/133
6,945,982 B2 9/2005 Marshall et al.
7,150,755 B2 12/2006 LeVaughn et al.
D567,944 S 4/2008 Sarna
7,357,808 B2 4/2008 Kennedy
D570,478 S * 6/2008 Sudo D24/130
D586,465 S * 2/2009 Faulkner et al. D24/146
D586,916 S * 2/2009 Faulkner et al. D24/146
7,655,017 B2 2/2010 Starnes
7,670,301 B2 3/2010 Roe
2003/0109895 A1 6/2003 Taylor et al.
2004/0059365 A1 3/2004 Abulhaj et al.
2007/0083222 A1* 4/2007 Schraga 606/181

2008/0065132 A1 3/2008 Trissel et al.

FOREIGN PATENT DOCUMENTS

EP 0589186 B1 11/1999

OTHER PUBLICATIONS

Asahi Polyslider, ABBOTT Thin Lancets; date unknown; 3 pgs.
Asahi Polyslider, Arkray Multilet Lancet; date unknown; 2 pgs.
Asahi Polyslider, Facet Technologies (Gainor Medical) Cleanlet
25G; date unknown; 2 pgs.
Owen Mumford, Unilet ComforTouch; date unknown; 2 pgs.
Owen Mumford, Unilet ExceLite; date unknown; 2 pgs.
Owen Mumford, Unilet GP Superlite; date unknown; 2 pgs.

* cited by examiner

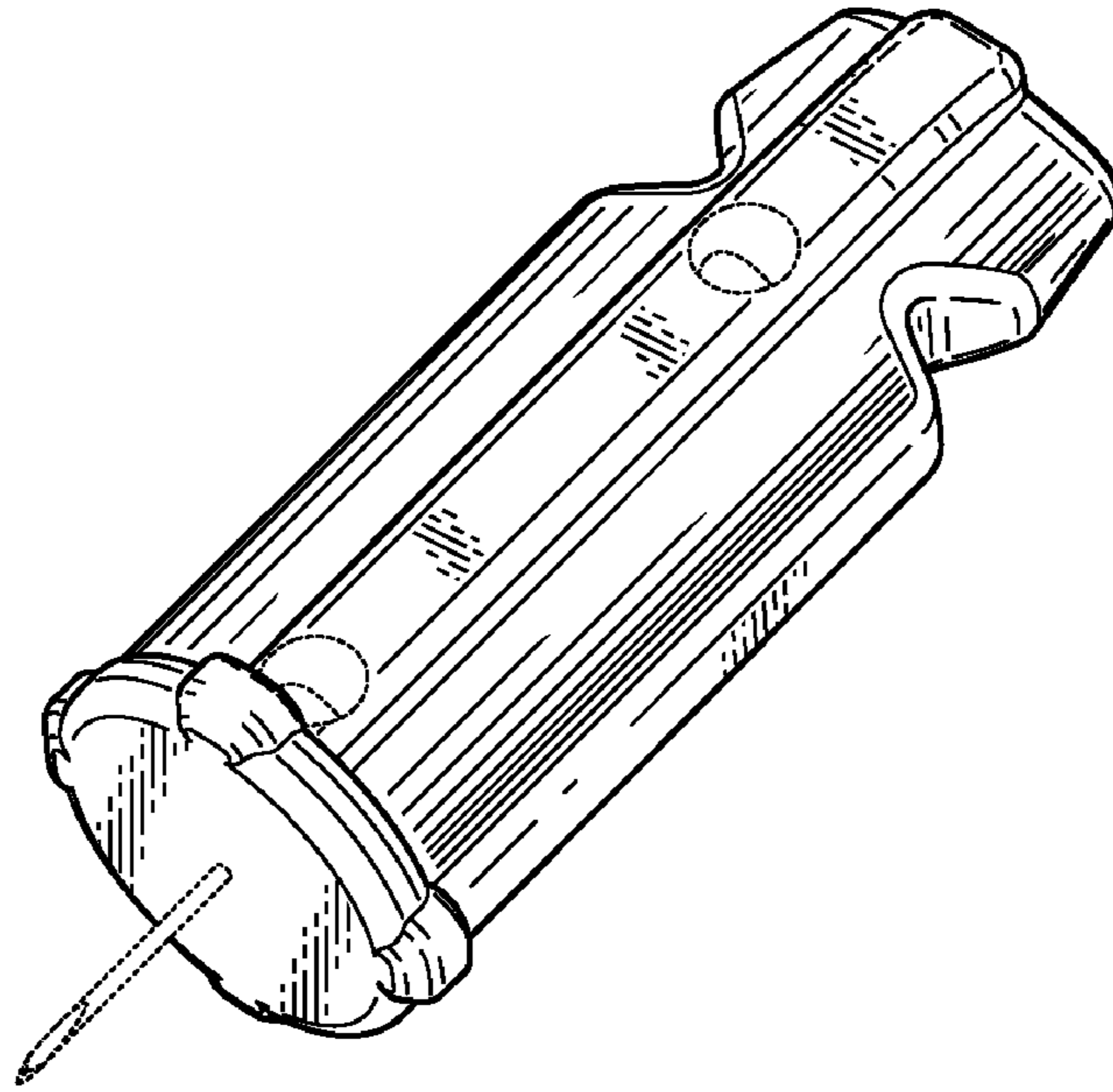


FIG. 1

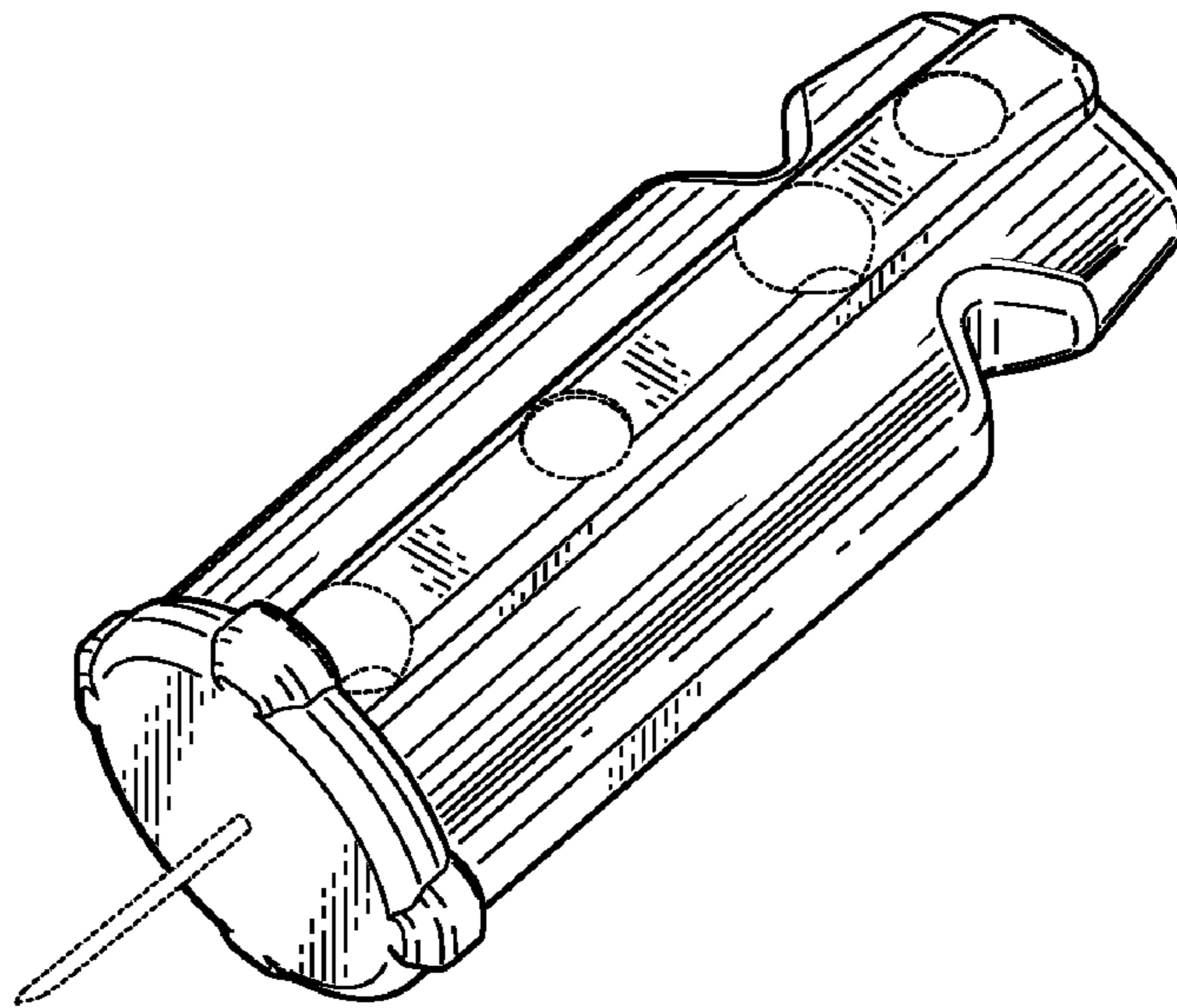


FIG. 2

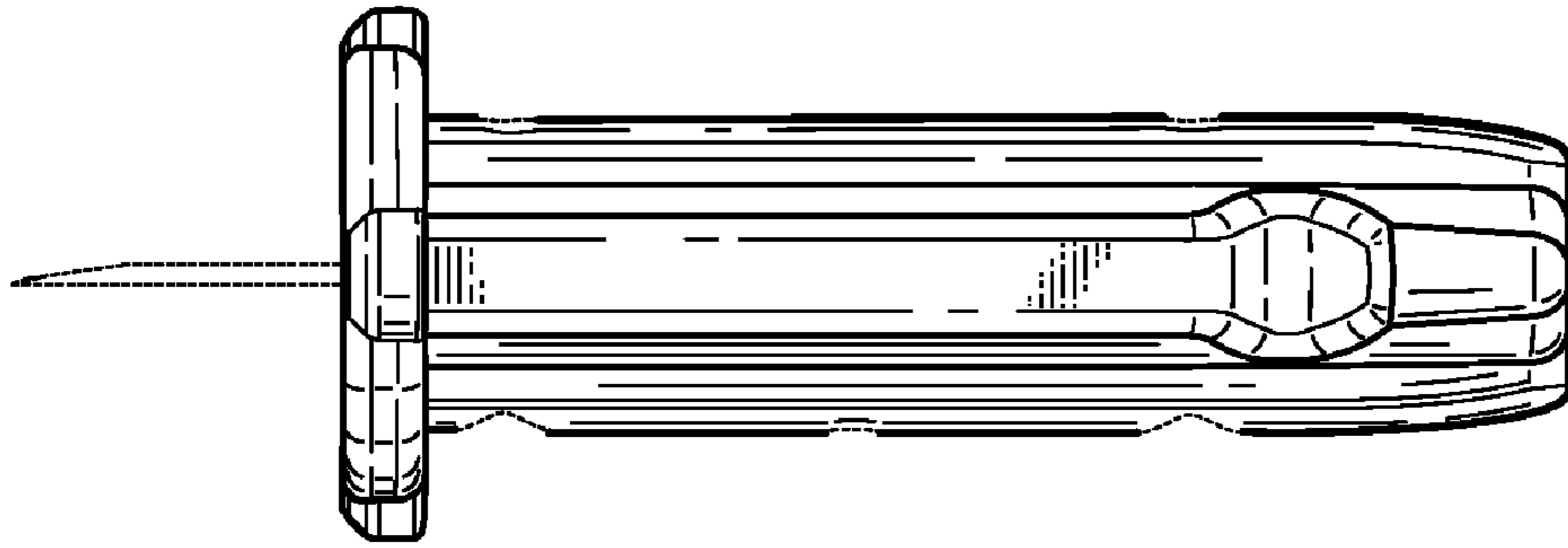


FIG. 3

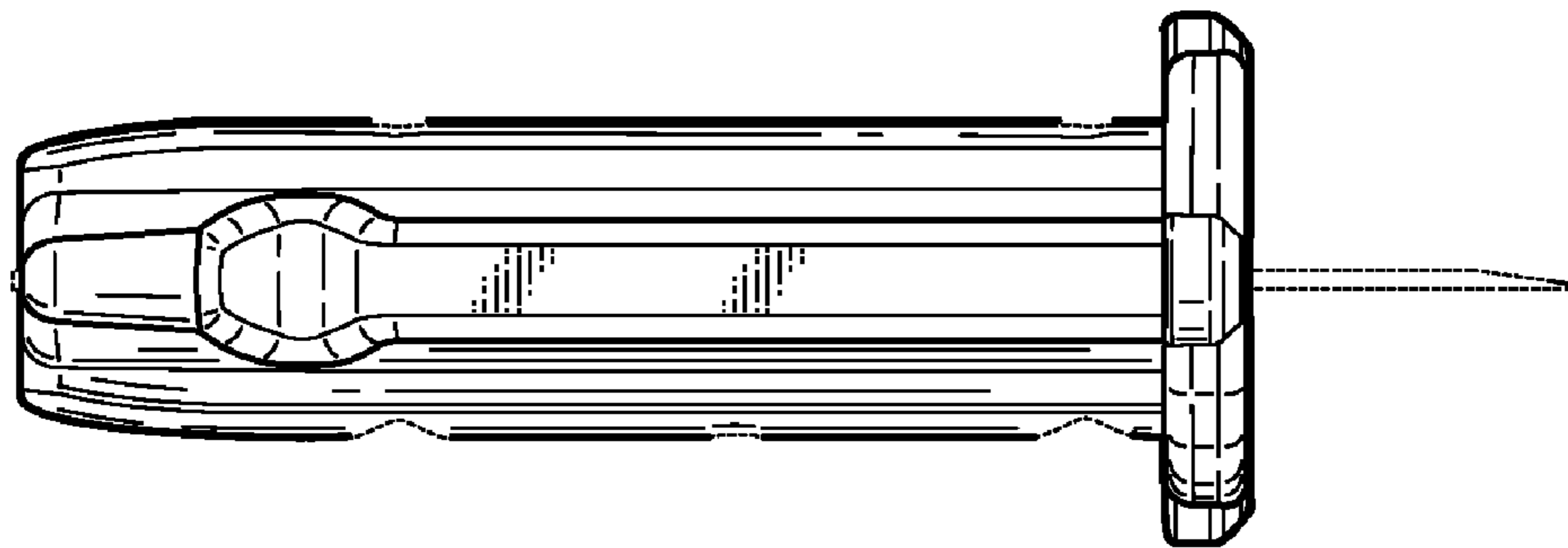


FIG. 4

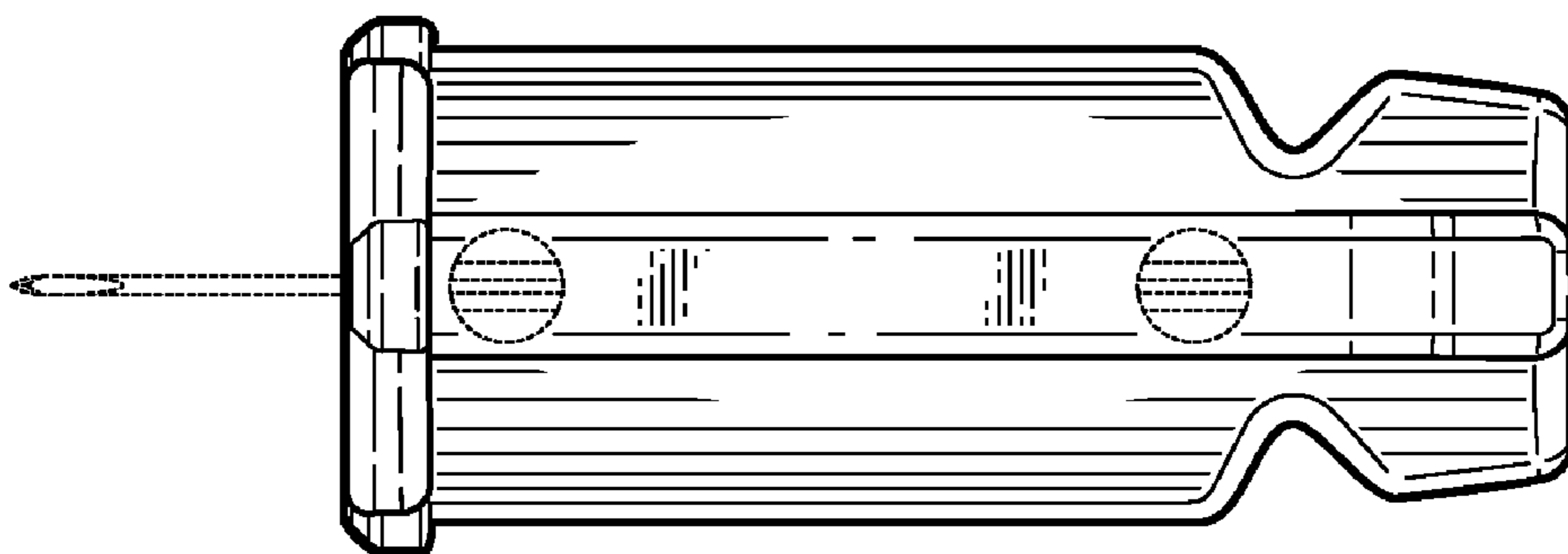


FIG. 5

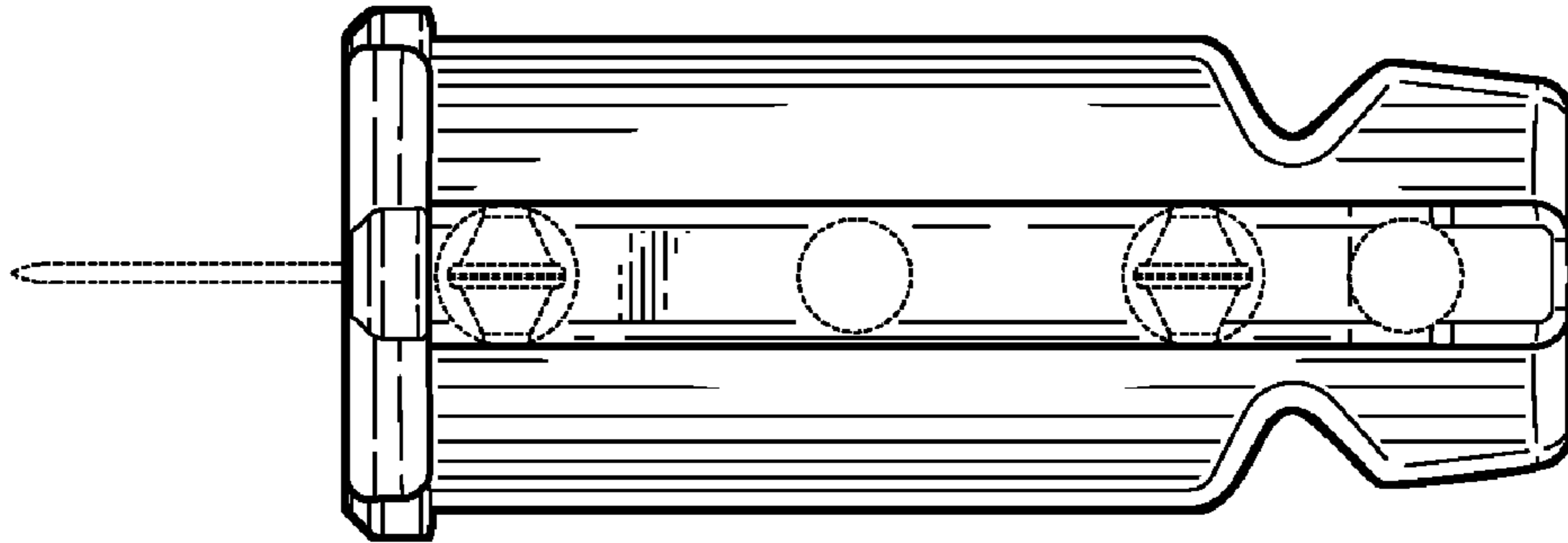


FIG. 6

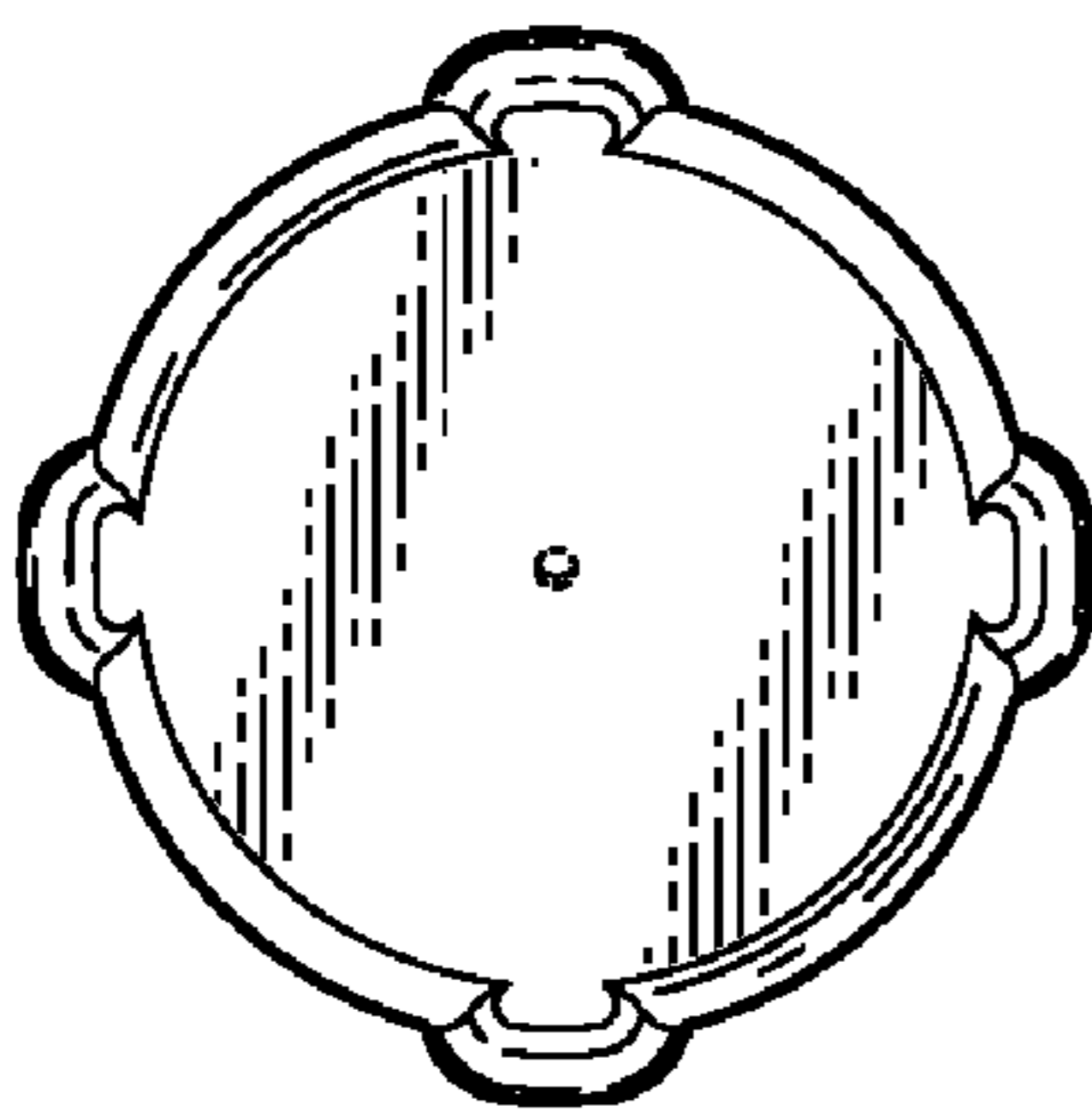


FIG. 7

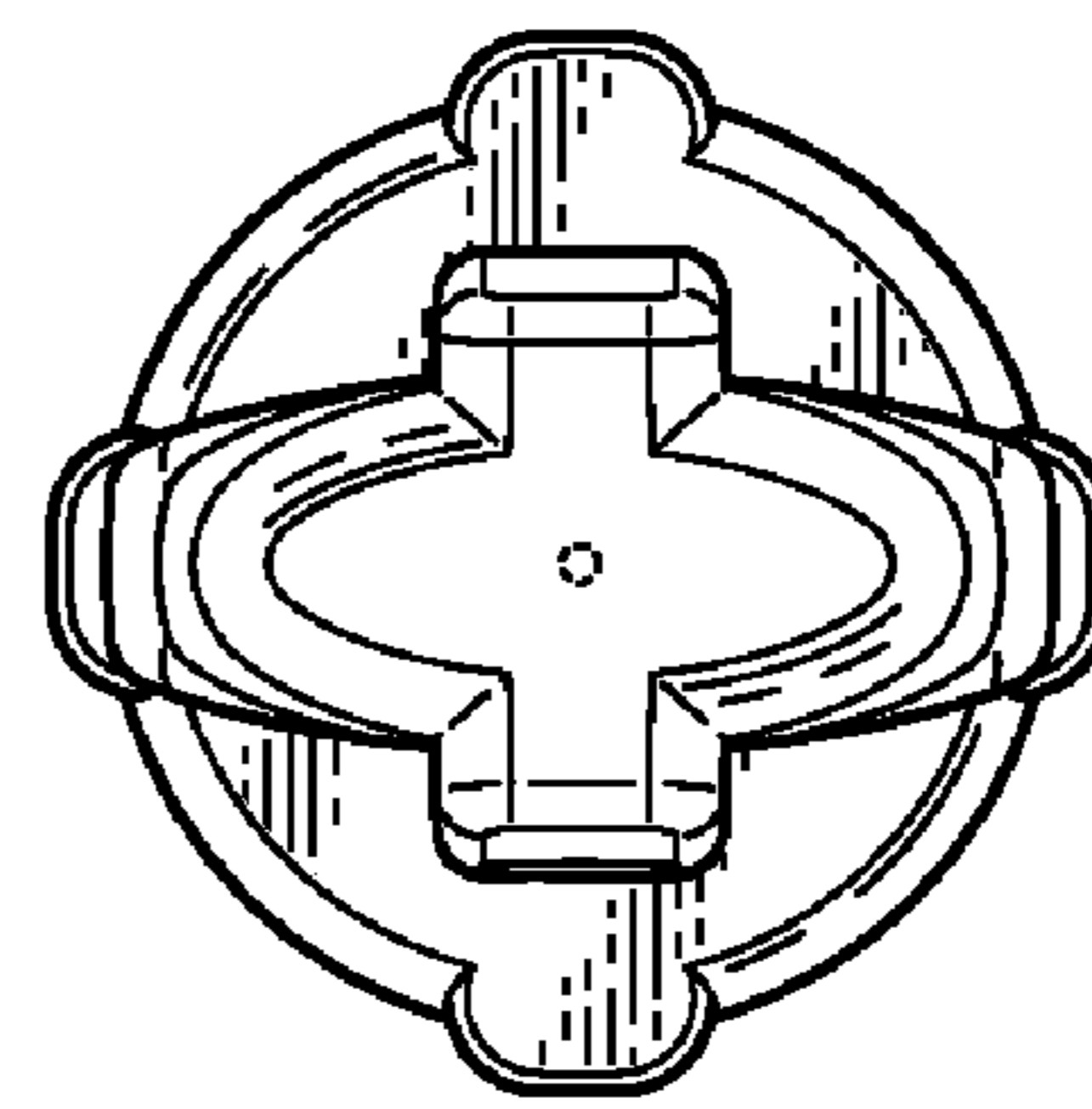


FIG. 8