



US00D621043S

(12) **United States Design Patent**
Schmäl et al.

(10) **Patent No.:** **US D621,043 S**
(45) **Date of Patent:** **** Aug. 3, 2010**

(54) **MEDICAL INSTRUMENT**

(75) Inventors: **Frank Schmäl**, Greven (DE); **Peter Eisenkolb**, Tuttlingen (DE); **Jochen Schmidberger**, Schömberg (DE)

(73) Assignee: **Karl Storz GmbH & Co. KG** (DE)

(**) Term: **14 Years**

(21) Appl. No.: **29/318,007**

(22) Filed: **May 12, 2008**

(30) **Foreign Application Priority Data**

Nov. 14, 2007 (EM) 000826045

(51) **LOC (9) Cl.** **24-02**

(52) **U.S. Cl.** **D24/147; D24/146**

(58) **Field of Classification Search** D24/146,
D24/135, 137, 138, 140, 143, 142, 144, 145,
D24/147; 606/167, 151, 157, 158, 159, 176,
606/182; 623/23.51

See application file for complete search history.

(56) **References Cited**

U.S. PATENT DOCUMENTS

2003/0125811 A1* 7/2003 Bonutti 623/23.51
2006/0004388 A1* 1/2006 Whayne et al. 606/151
2008/0097489 A1* 4/2008 Goldfarb et al. 606/151

2008/0249547 A1* 10/2008 Dunn 606/157
2008/0269788 A1* 10/2008 Phillips 606/157
2008/0281340 A1* 11/2008 Hyun et al. 606/157
2009/0076529 A1* 3/2009 Ganti 606/151
2009/0093828 A1* 4/2009 Gold et al. 606/151
2009/0326567 A1* 12/2009 Goldfarb et al. 606/157

* cited by examiner

Primary Examiner—Ian Simmons

Assistant Examiner—Carissa C Fitts

(74) *Attorney, Agent, or Firm*—St. Onge Steward Johnston & Reens, LLC

(57) **CLAIM**

The ornamental design for a medical instrument, as shown and described.

DESCRIPTION

FIG. 1 is a front isometric view of a medical instrument in accordance with the new design;

FIG. 2 is a front elevation view thereof;

FIG. 3 is a rear elevation view thereof;

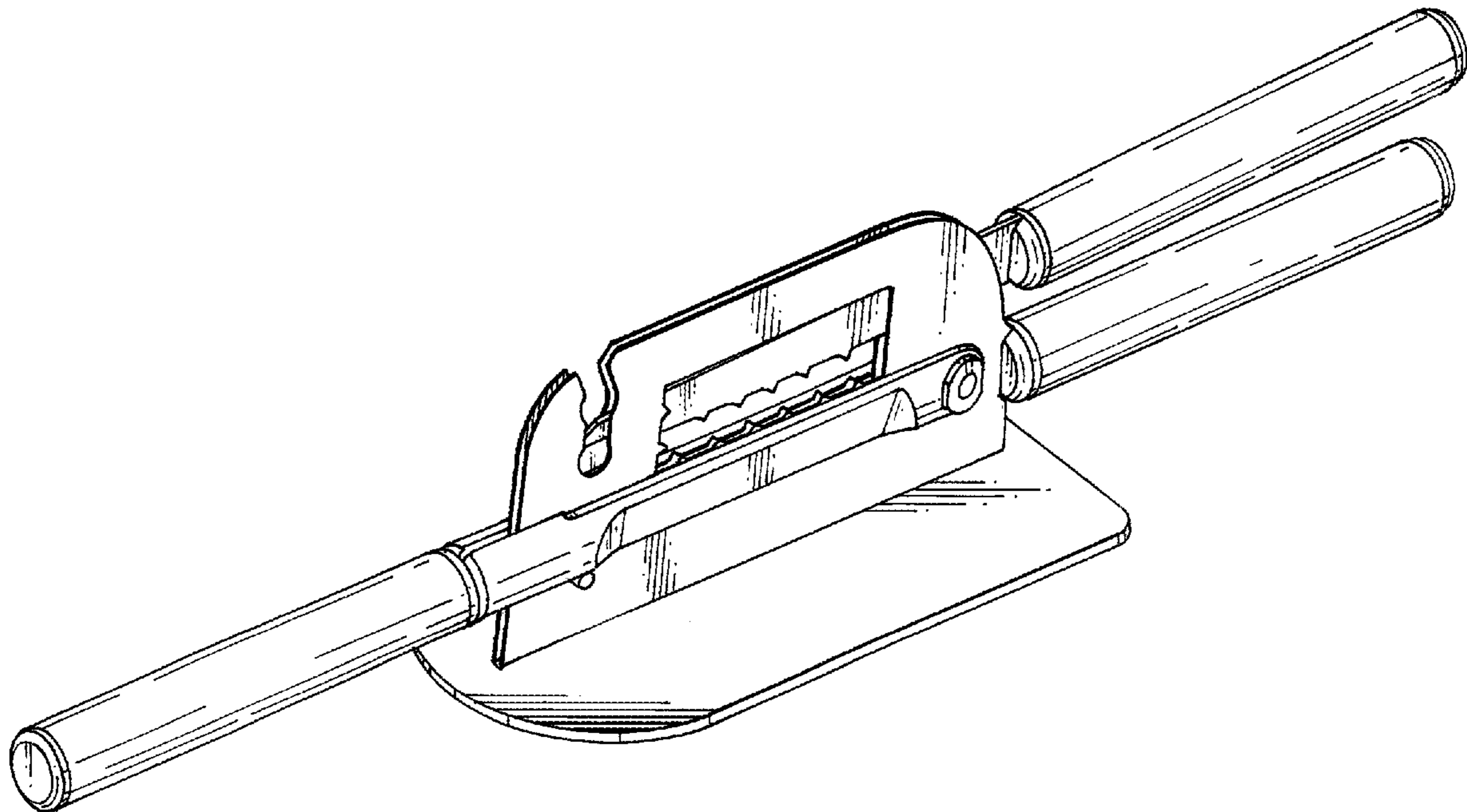
FIG. 4 is a rear view with raised handle thereof;

FIG. 5 is a bottom plan view thereof;

FIG. 6 is a top view thereof; and,

FIG. 7 is an end view thereof.

1 Claim, 7 Drawing Sheets



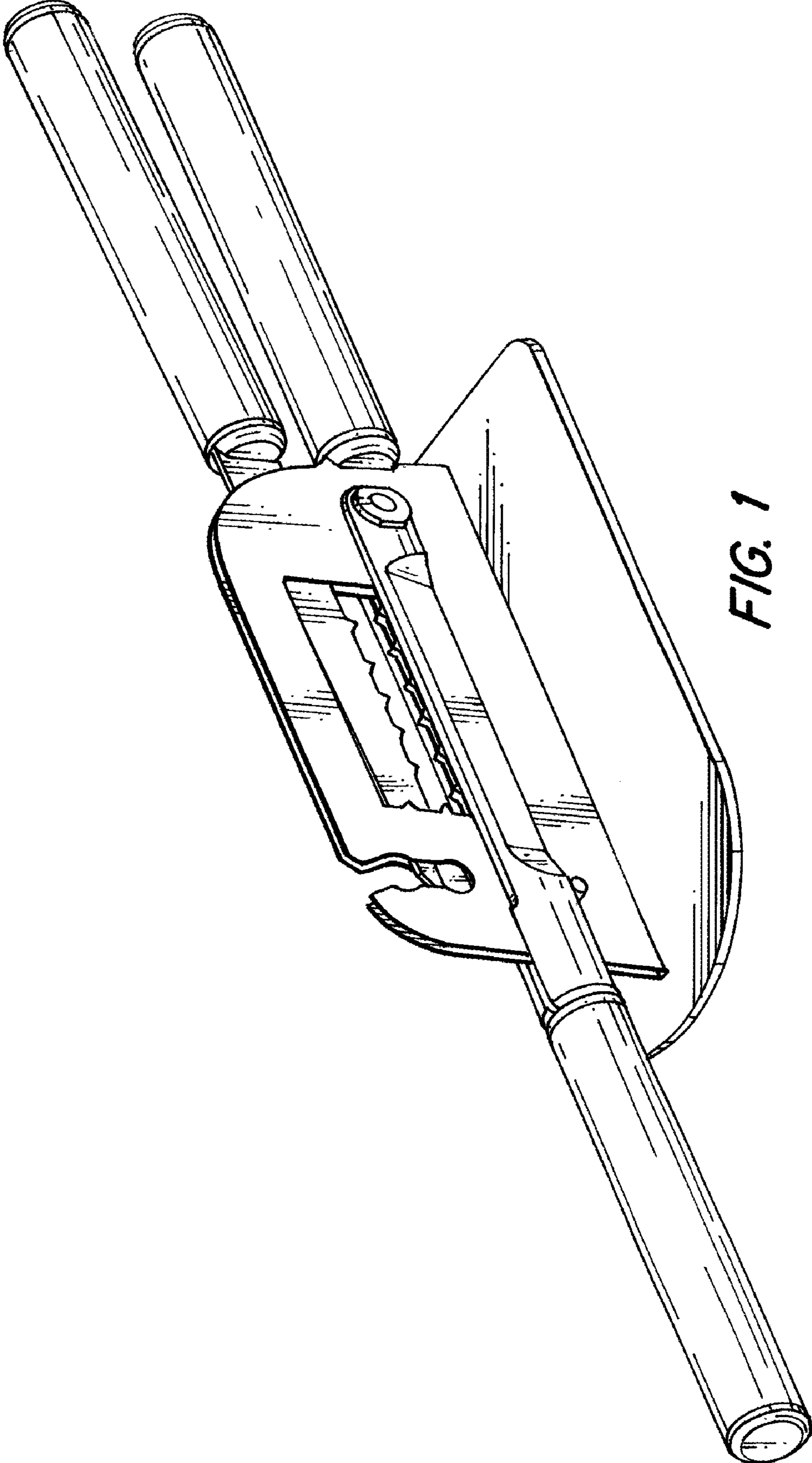


FIG. 1

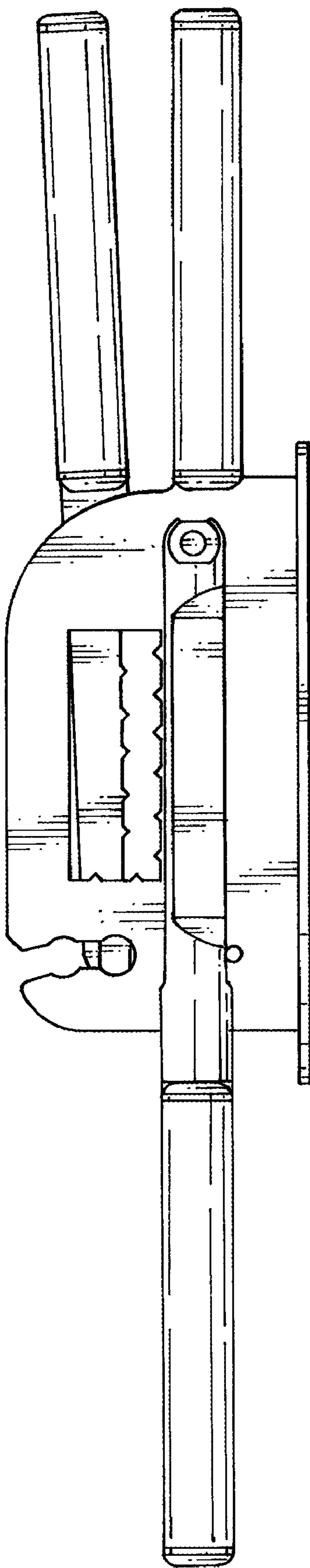


FIG. 2

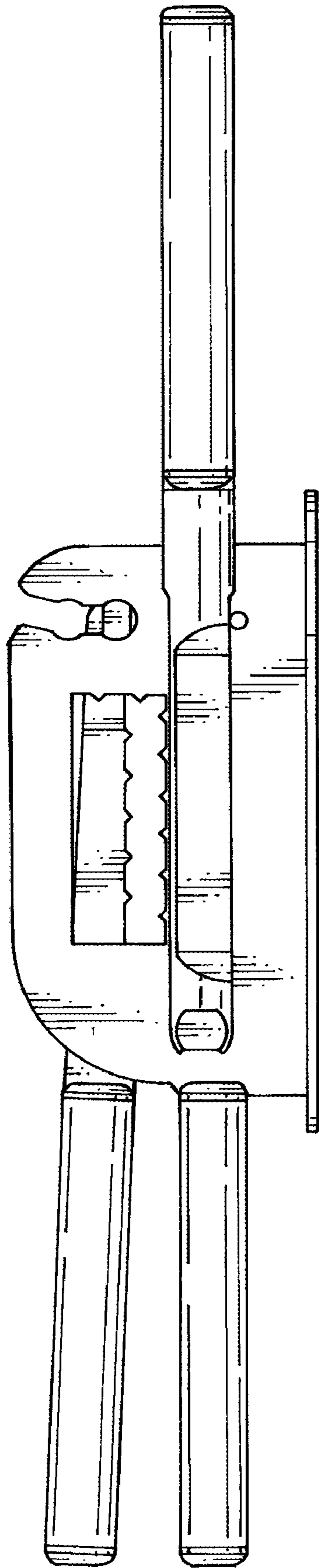


FIG. 3

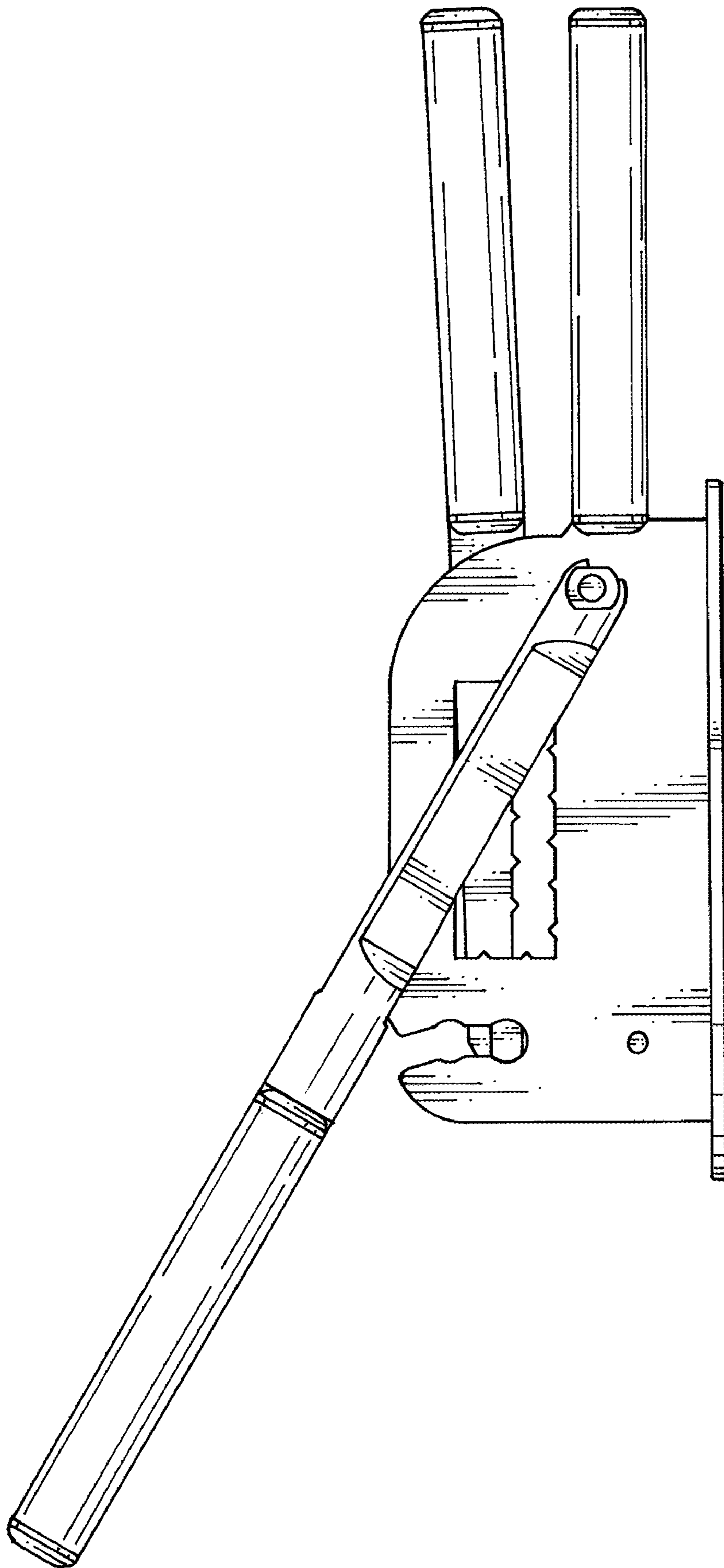


FIG. 4

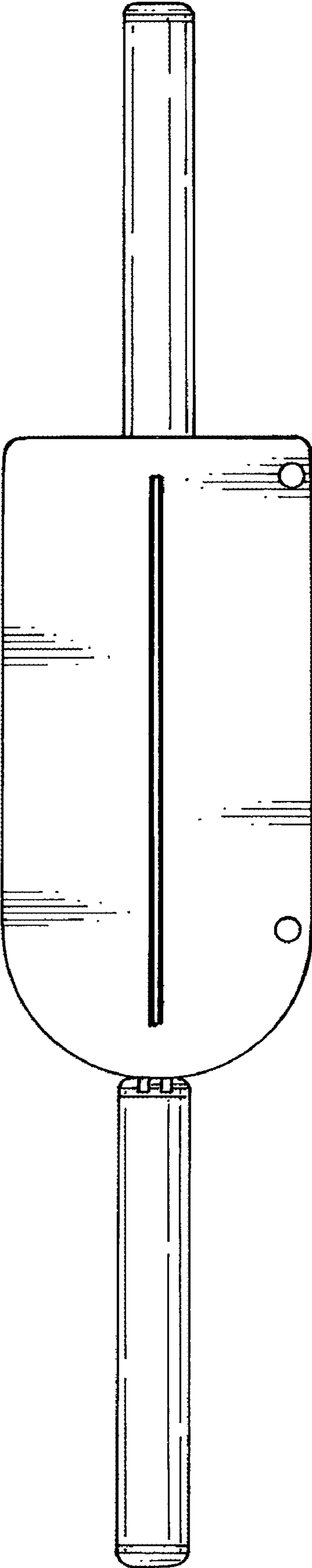


FIG. 5

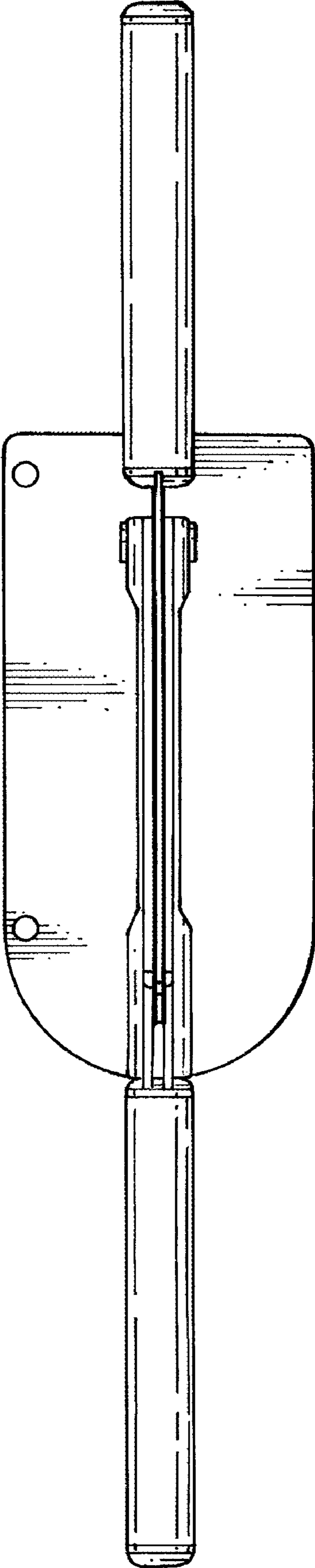


FIG. 6

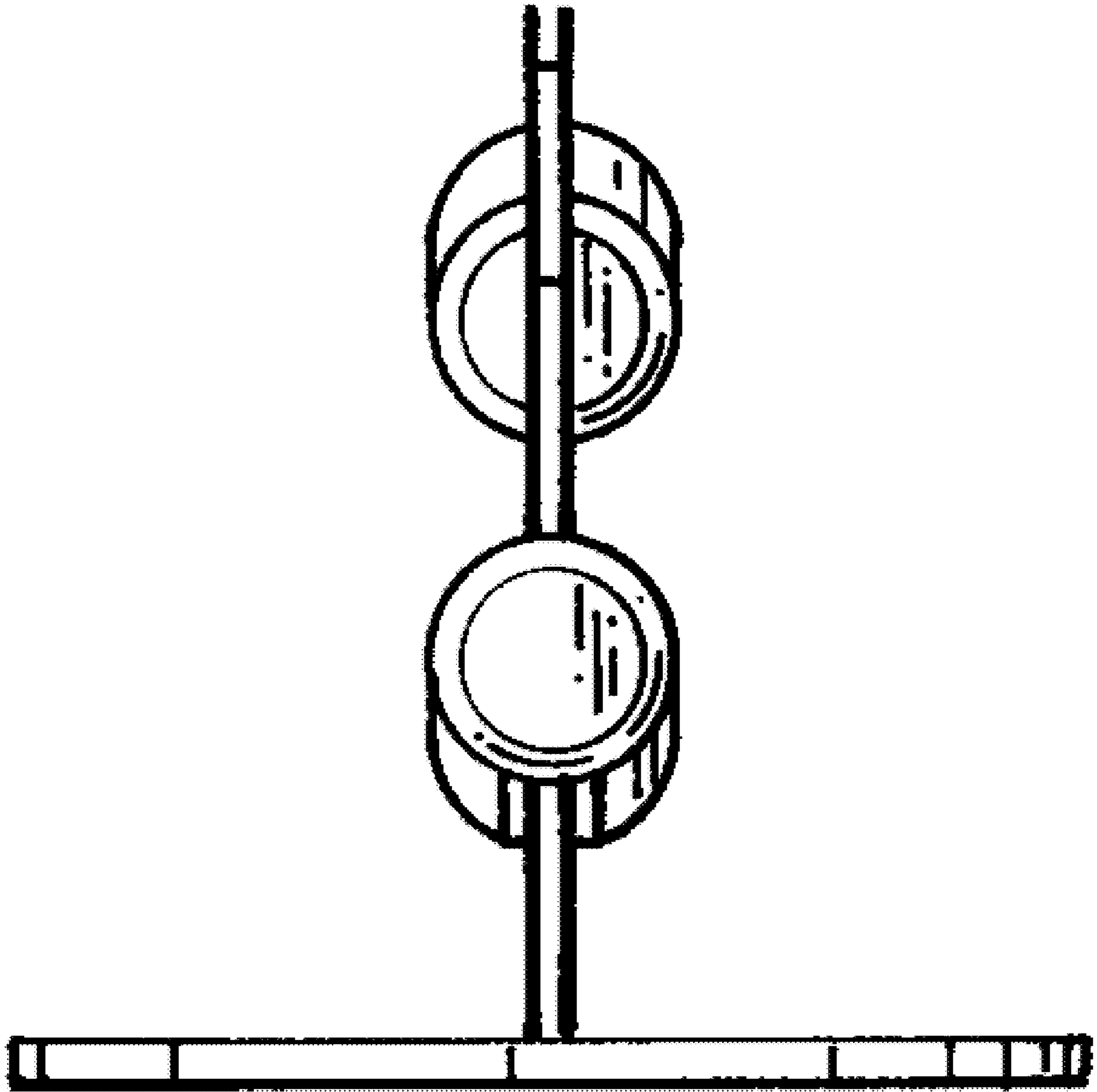


FIG. 7