

US00D621035S

(12) **United States Design Patent**
Koh et al.

(10) **Patent No.:** **US D621,035 S**

(45) **Date of Patent:** **** Aug. 3, 2010**

(54) **HANDLE FOR MEDICAL INSTRUMENT**

(75) Inventors: **Charles H. Koh**, Milwaukee, WI (US);
Uwe Renger, Hilzingen (DE); **Jochen Stefan**, Wald (DE)

(73) Assignee: **Karl Storz GmbH & Co. KG** (DE)

(**) Term: **14 Years**

(21) Appl. No.: **29/329,914**

(22) Filed: **Dec. 23, 2008**

(30) **Foreign Application Priority Data**

Jun. 23, 2008 (EM) 000956883

(51) **LOC (9) Cl.** **24-02**

(52) **U.S. Cl.** **D24/128**

(58) **Field of Classification Search** D24/127-130,
D24/133, 143, 145, 146-147; 606/205-206,
606/208, 167, 170, 45, 210, 213, 215; D8/57,
D8/58

See application file for complete search history.

(56) **References Cited**

U.S. PATENT DOCUMENTS

4,602,631	A *	7/1986	Funatsu	606/142
D346,862	S *	5/1994	Koros et al.	D24/143
5,312,433	A *	5/1994	Boebel et al.	606/205
D351,653	S *	10/1994	Koros et al.	D24/143
5,354,313	A *	10/1994	Boebel	606/208
D378,611	S *	3/1997	Croley	D24/144
D384,413	S *	9/1997	Zlock et al.	D24/145

D583,472	S *	12/2008	Koh	D24/143
D598,101	S *	8/2009	Keckstein et al.	D24/143
D598,547	S *	8/2009	Stefan	D24/143
D610,682	S *	2/2010	Stefan	D24/140
2005/0119692	A1 *	6/2005	Szabo	606/205
2007/0016248	A1 *	1/2007	Cuschieri et al.	606/205
2008/0046003	A1 *	2/2008	Renger et al.	606/206

* cited by examiner

Primary Examiner—T. Chase Nelson

Assistant Examiner—Eric L Goodman

(74) *Attorney, Agent, or Firm*—St. Onge Steward Johnston & Reens LLC

(57) **CLAIM**

The ornamental design for a handle for medical instrument, as shown and described.

DESCRIPTION

FIG. 1 is a side isometric view of a handle for medical instrument in accordance with the new design;

FIG. 2 is a right side view thereof;

FIG. 3 is a left side view thereof;

FIG. 4 is a bottom view thereof;

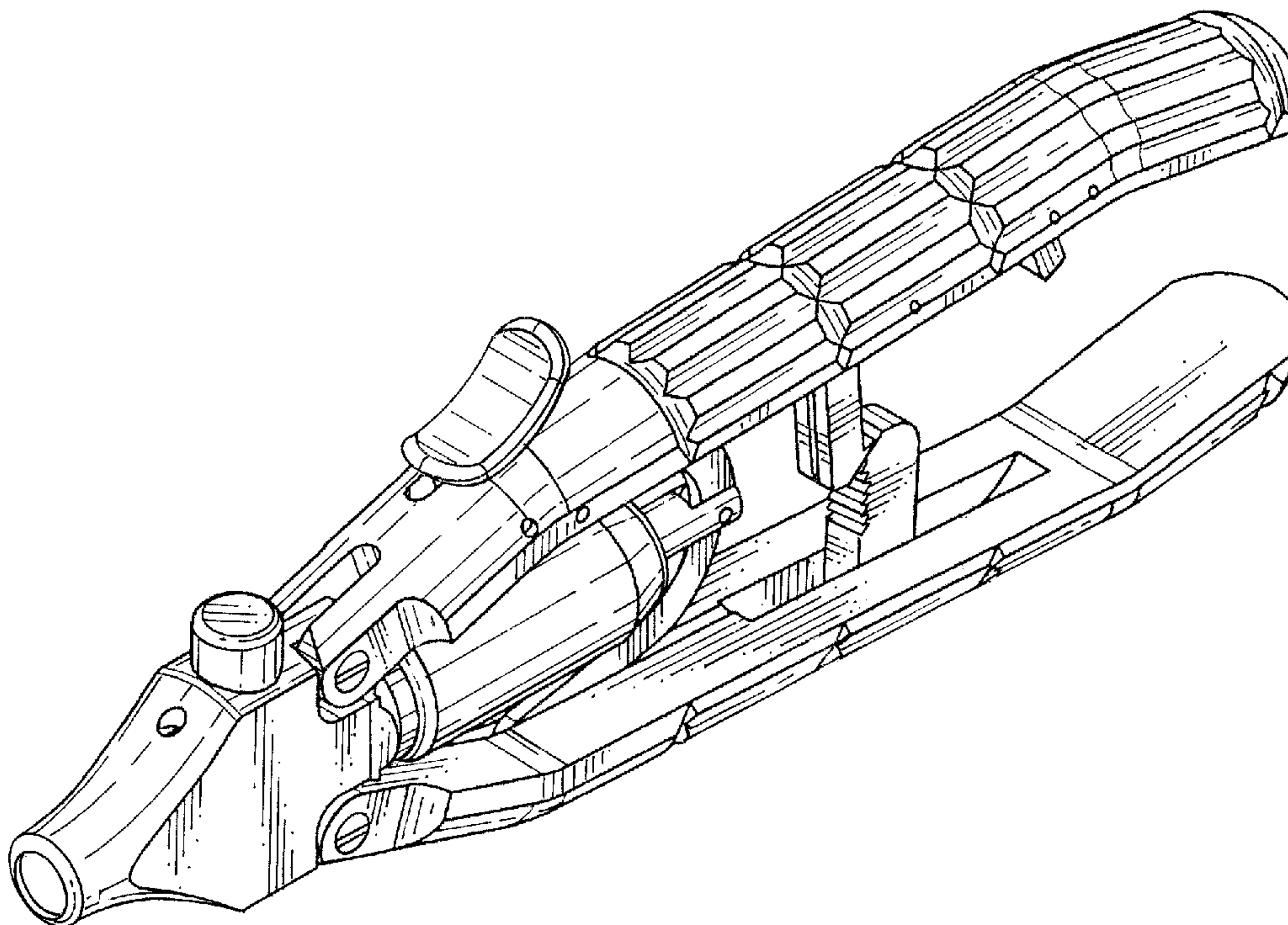
FIG. 5 is a top view thereof;

FIG. 6 is a front view thereof; and,

FIG. 7 is a rear view thereof.

The broken lines depict portions of the handle for medical instrument that form no part of the claimed design.

1 Claim, 6 Drawing Sheets



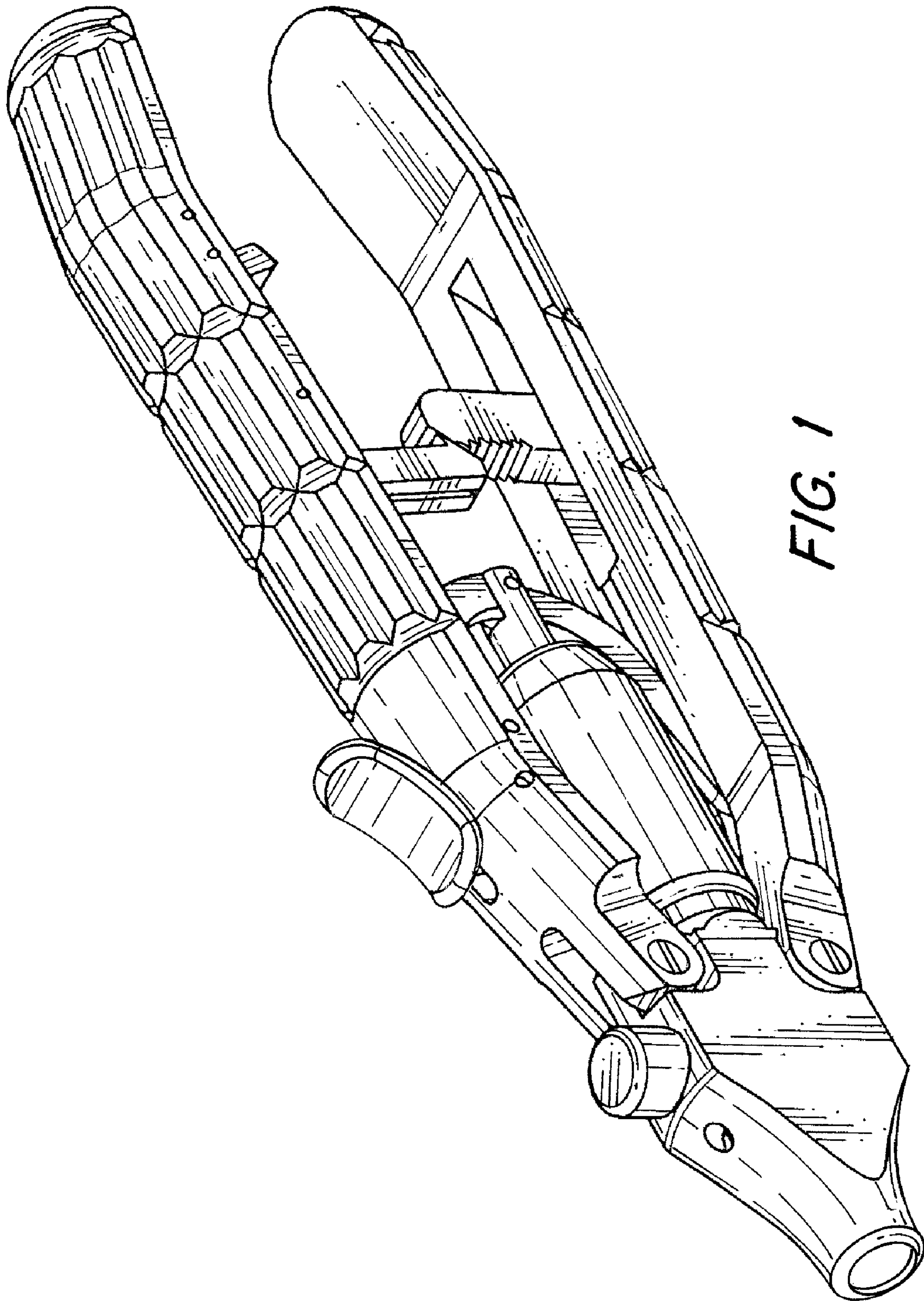


FIG. 1

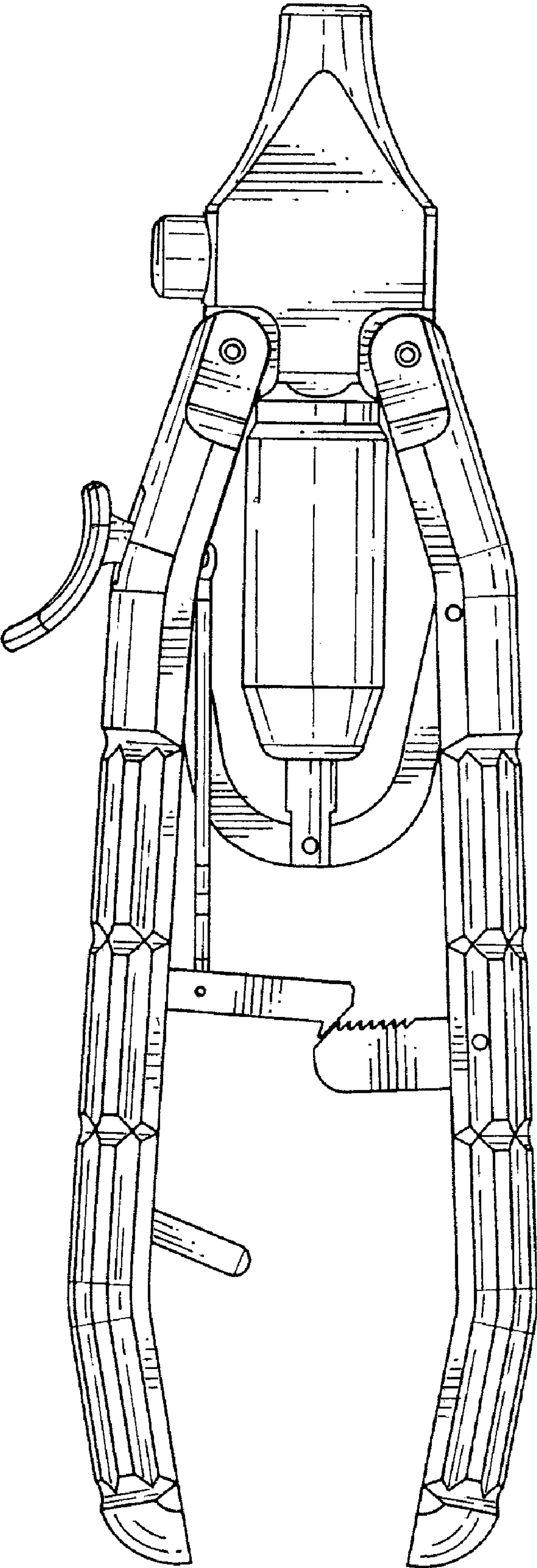


FIG. 2

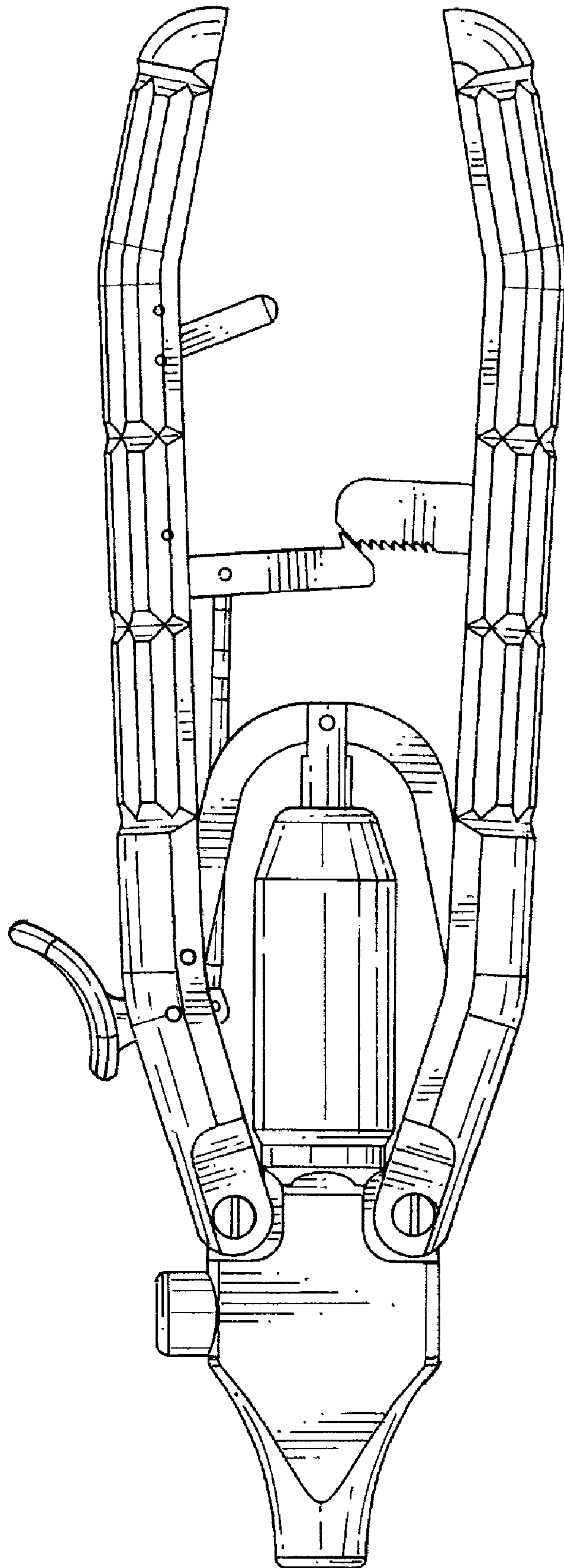


FIG. 3

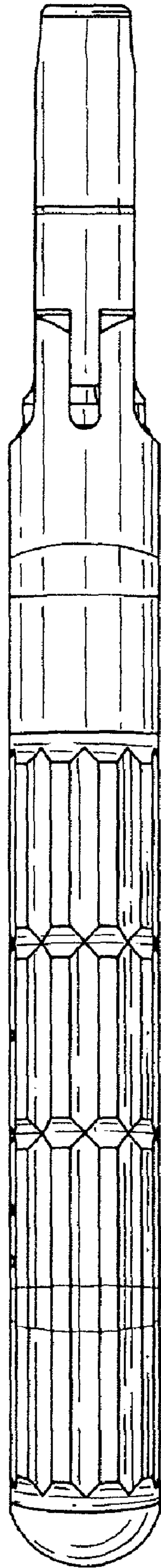


FIG. 4

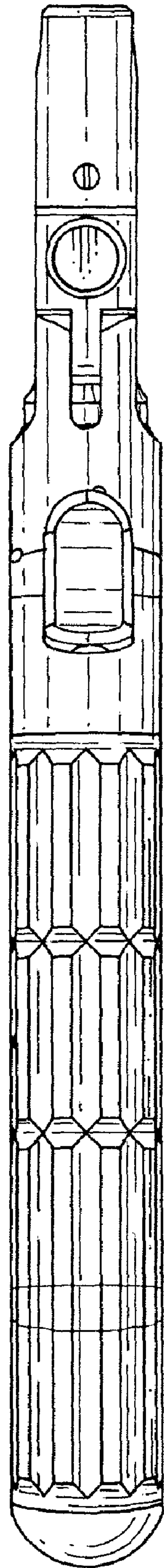


FIG. 5

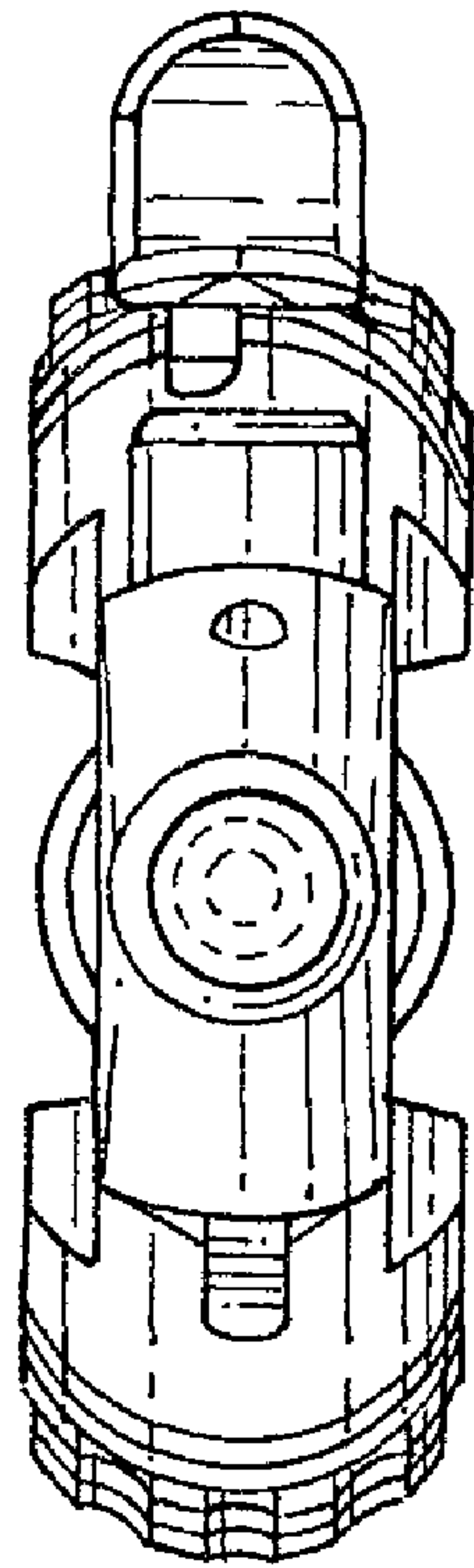


FIG. 6

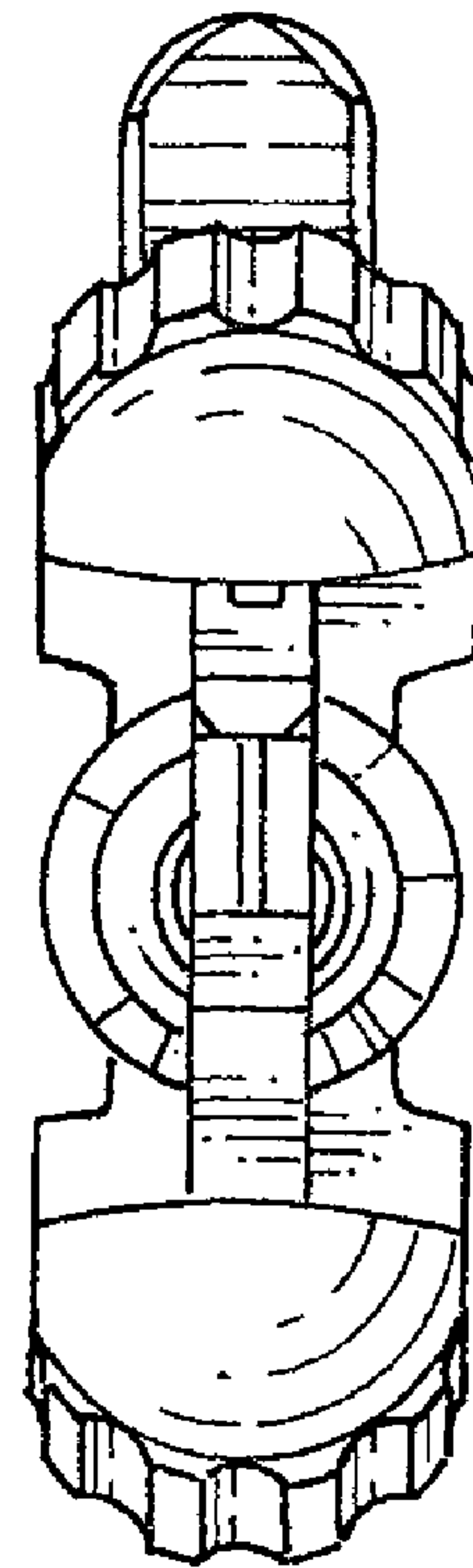


FIG. 7