

US00D621033S

(12) **United States Design Patent**
Nakaoka et al.

(10) **Patent No.:** **US D621,033 S**
(45) **Date of Patent:** **** Aug. 3, 2010**

(54) **DISPOSABLE DIAPER**

(75) Inventors: **Kenji Nakaoka**, Osaka (JP); **Yuki Takahashi**, Tsurugi-cho (JP)

(73) Assignee: **Livedo Corporation**, Ehime (JP)

(**) Term: **14 Years**

(21) Appl. No.: **29/335,327**

(22) Filed: **Apr. 14, 2009**

(30) **Foreign Application Priority Data**

Oct. 15, 2008 (JP) 2008-26507

(51) **LOC (9) Cl.** **24-04**

(52) **U.S. Cl.** **D24/126**

(58) **Field of Classification Search** D24/124-126;
604/358-361, 378, 384, 385.01, 385.02
See application file for complete search history.

(56) **References Cited**

U.S. PATENT DOCUMENTS

2,866,459	A *	12/1958	Sobelson	604/377
5,830,203	A *	11/1998	Suzuki et al.	604/385.19
D442,279	S *	5/2001	Ruman et al.	D24/126
D449,885	S *	10/2001	Popp et al.	D24/126
6,369,291	B1 *	4/2002	Uchimoto et al.	604/367
D468,427	S *	1/2003	Carr et al.	D24/126
D470,236	S *	2/2003	Carr et al.	D24/126
D514,223	S *	1/2006	Hermansson et al.	D24/126
7,255,688	B2 *	8/2007	Sasaki et al.	604/396
D574,489	S *	8/2008	Kawakami et al.	D24/126
D583,936	S *	12/2008	Sasayama et al.	D24/126
2008/0071241	A1	3/2008	Bittner et al.		
2008/0221543	A1 *	9/2008	Wilkes et al.	604/385.01
2009/0182298	A1 *	7/2009	Kumasaka	604/385.23

FOREIGN PATENT DOCUMENTS

JP 6-296643 10/1994

JP 2000-140021 5/2000
JP 2006/000303 1/2006
WO 2006/000303 1/2006

* cited by examiner

Primary Examiner—Holly H Baynham
Assistant Examiner—Michelle E Wilson

(74) *Attorney, Agent, or Firm*—Wenderoth, Lind & Ponack, L.L.P.

(57) **CLAIM**

The ornamental design for a disposable diaper, as shown and described.

DESCRIPTION

FIG. 1 is a front view of the ornamental design for disposable diaper of the present invention;

FIG. 2 is a rear view;

FIG. 3 is a left side view, with the right side view being a symmetrical mirror image of the left side view;

FIG. 4 is a top view;

FIG. 5 is a bottom view;

FIG. 6 is a cross sectional view thereof, taken along lines 6-6' of FIG. 1;

FIG. 7 is a cross sectional view thereof, taken along lines 7-7' of FIG. 1;

FIG. 8 is a cross sectional view thereof, taken along lines 8-8' of FIG. 1; and,

FIG. 9 is a perspective view as seen from the front, top and right side.

Parts illustrated by dashed lines are not being claimed but are illustrated for the sake of understanding of the claimed design. A double-dash chain line indicates the dividing line between claimed and unclaimed portions.

1 Claim, 5 Drawing Sheets

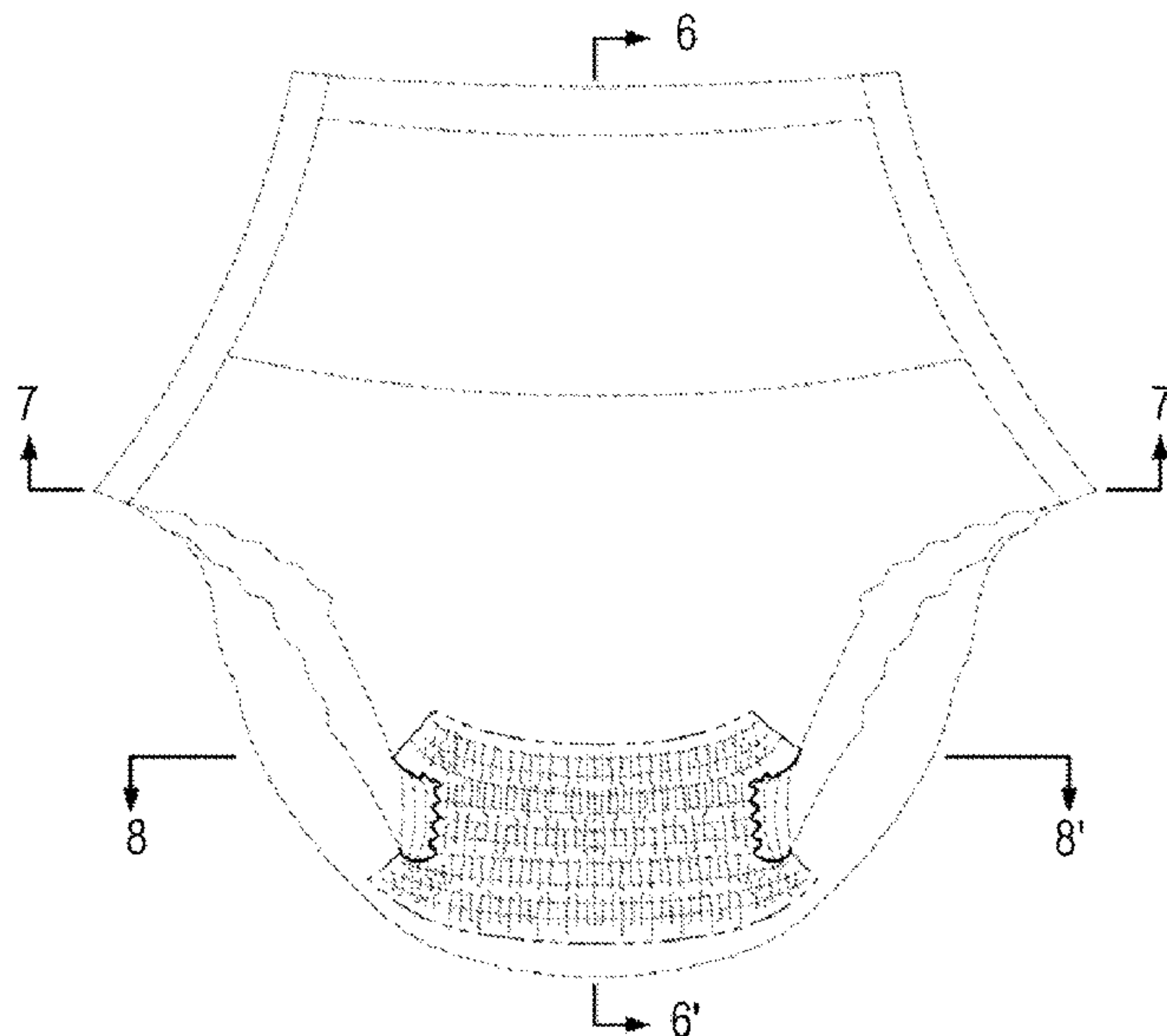


FIG. 1

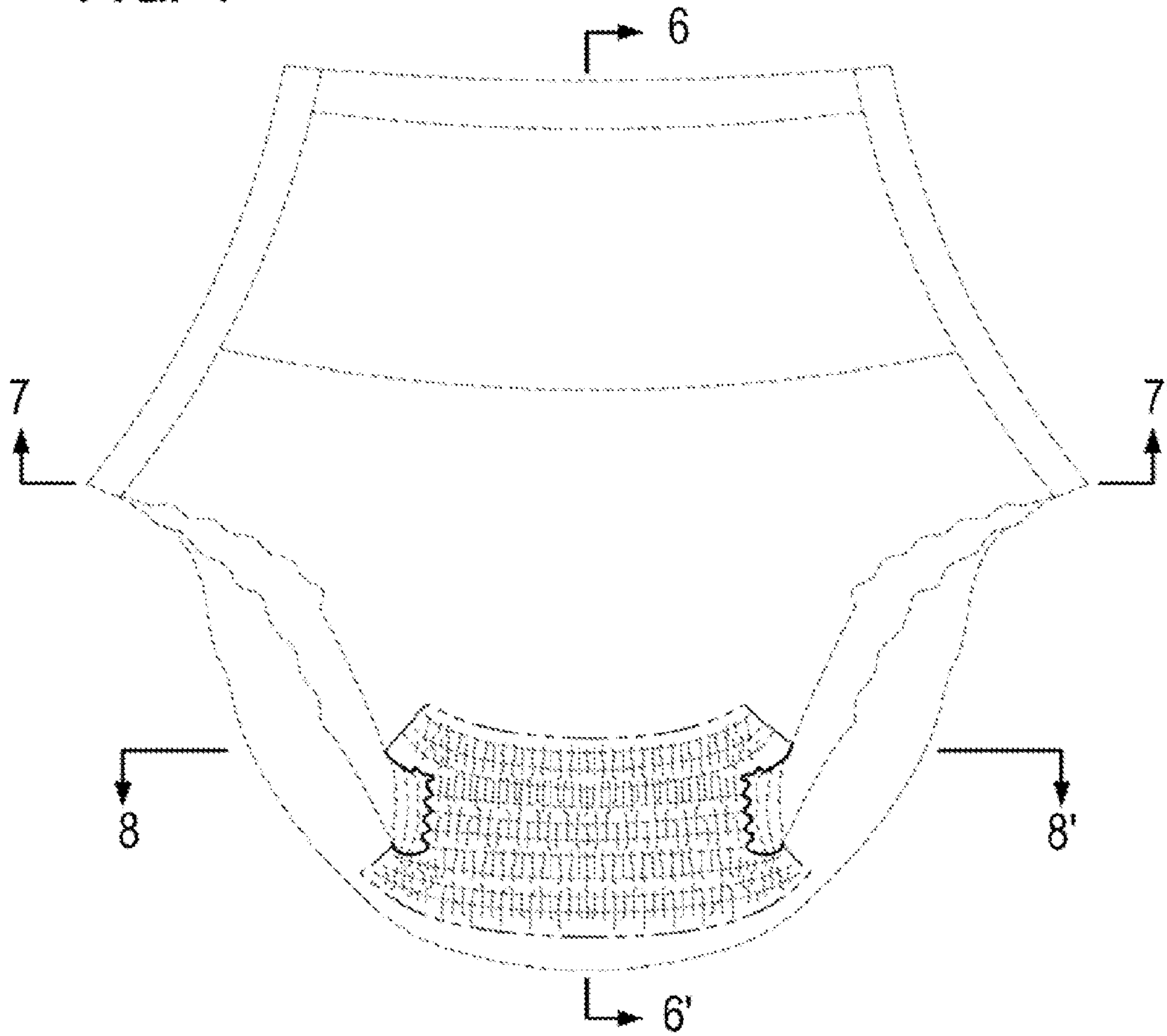
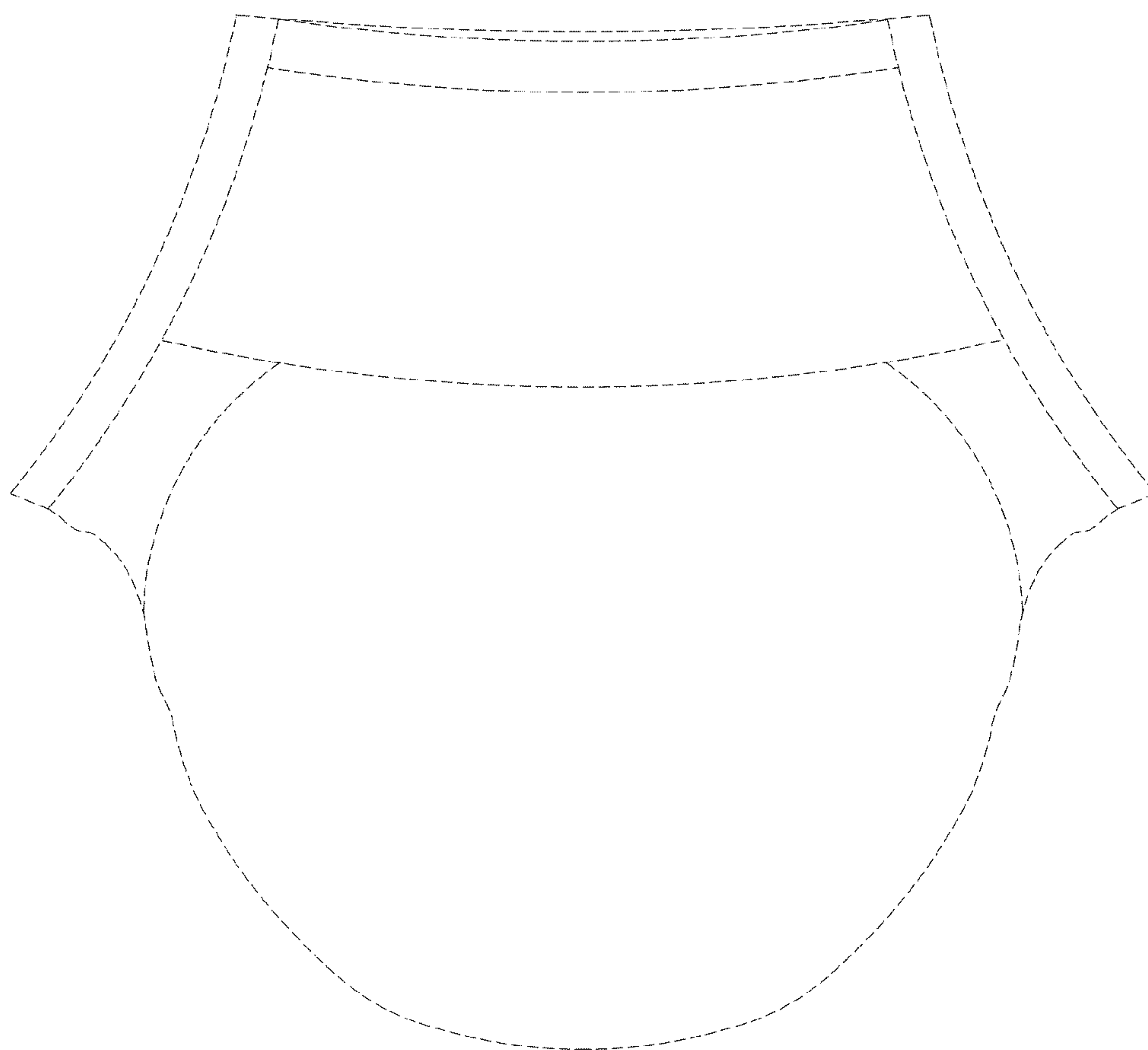


FIG. 2



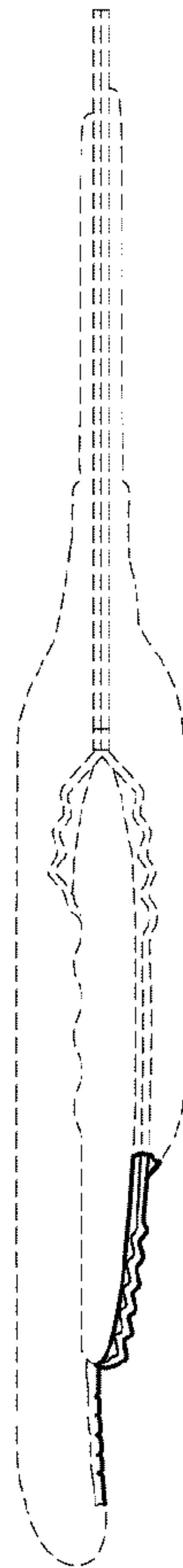


FIG. 3



FIG. 4

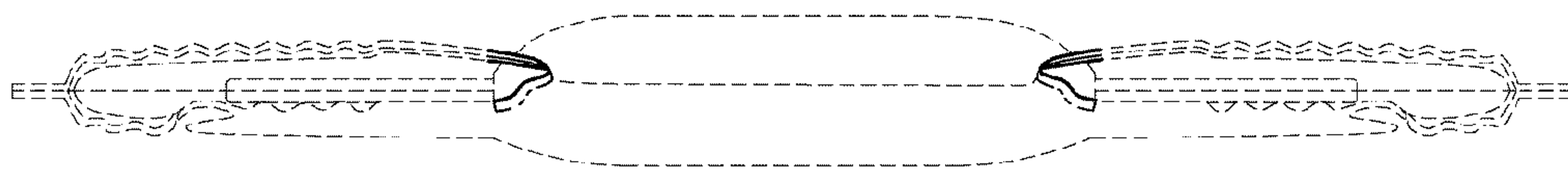


FIG. 5

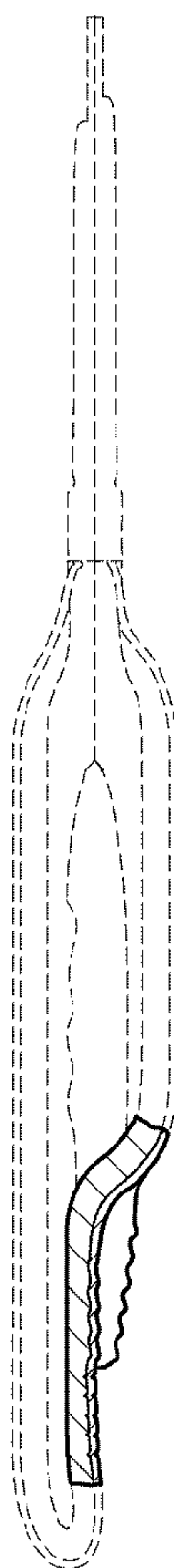


FIG. 6



FIG. 7

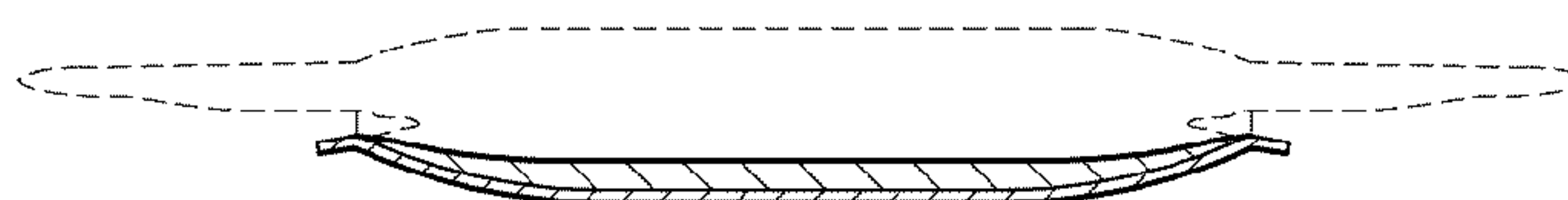


FIG. 8

FIG. 9

