



US00D621031S

(12) **United States Design Patent**  
**Lithgow et al.**

(10) **Patent No.:** **US D621,031 S**  
(45) **Date of Patent:** **\*\* Aug. 3, 2010**

(54) **HUMIDIFIER TUB LID**

(75) Inventors: **Perry David Lithgow**, Glenwood (AU);  
**Duncan Lovel Trevor-Wilson**, Frenchs  
Forest (AU); **Arthur Kin-Wai Yee**,  
Pymble (AU); **Rohan Neil Primrose**,  
Marsfield (AU); **Alexander Virr**,  
Balmain (AU); **Mark Bertinetti**, Lane  
Cove (AU); **Dan Kao**, Chatswood (AU);  
**Michael Thomas Janiak**, North Epping  
(AU)

(73) Assignee: **ResMed Limited**, Bella Vista (AU)

(\*\*) Term: **14 Years**

(21) Appl. No.: **29/290,128**

(22) Filed: **Oct. 24, 2007**

**Related U.S. Application Data**

(60) Continuation of application No. 29/274,263, filed on  
Apr. 10, 2007, now Pat. No. Des. 557,407, which is a  
division of application No. 29/207,856, filed on Jun.  
18, 2004, now Pat. No. Des. 544,598.

(51) **LOC (9) Cl.** ..... **29-02**

(52) **U.S. Cl.** ..... **D24/110**

(58) **Field of Classification Search** ..... D24/110,  
D24/164; D23/356, 358; 128/200.24, 200.23,  
128/200.18, 200.22, 200.16, 204.14, 203.16,  
128/203.17, 204.18, 204.23

See application file for complete search history.

(56) **References Cited**

**U.S. PATENT DOCUMENTS**

D421,298 S 2/2000 Kenyon et al.

D427,675 S	7/2000	Hansel
D467,335 S	12/2002	Lithgow et al.
D476,077 S	6/2003	Lithgow et al.
D487,311 S	3/2004	Lithgow et al.
D493,520 S	7/2004	Bertinetti et al.
D493,884 S	8/2004	Virr et al.
D498,527 S	11/2004	Virr et al.
D503,796 S	4/2005	Lithgow et al.
D544,598 S	6/2007	Lithgow et al.

**OTHER PUBLICATIONS**

Lithgow et al., Parent U.S. Appl. No. 29/274,263, filed Apr. 10, 2007.

*Primary Examiner*—Ian Simmons

*Assistant Examiner*—Christopher Lee

(74) *Attorney, Agent, or Firm*—Nixon & Vanderhye P.C.

(57) **CLAIM**

The ornamental design for a humidifier tub lid, as shown and described.

**DESCRIPTION**

FIG. 1 is a perspective view of a first embodiment of a humidifier tub lid showing our design;

FIG. 2 is a top view thereof;

FIG. 3 is a front view thereof;

FIG. 4 is a left side view thereof;

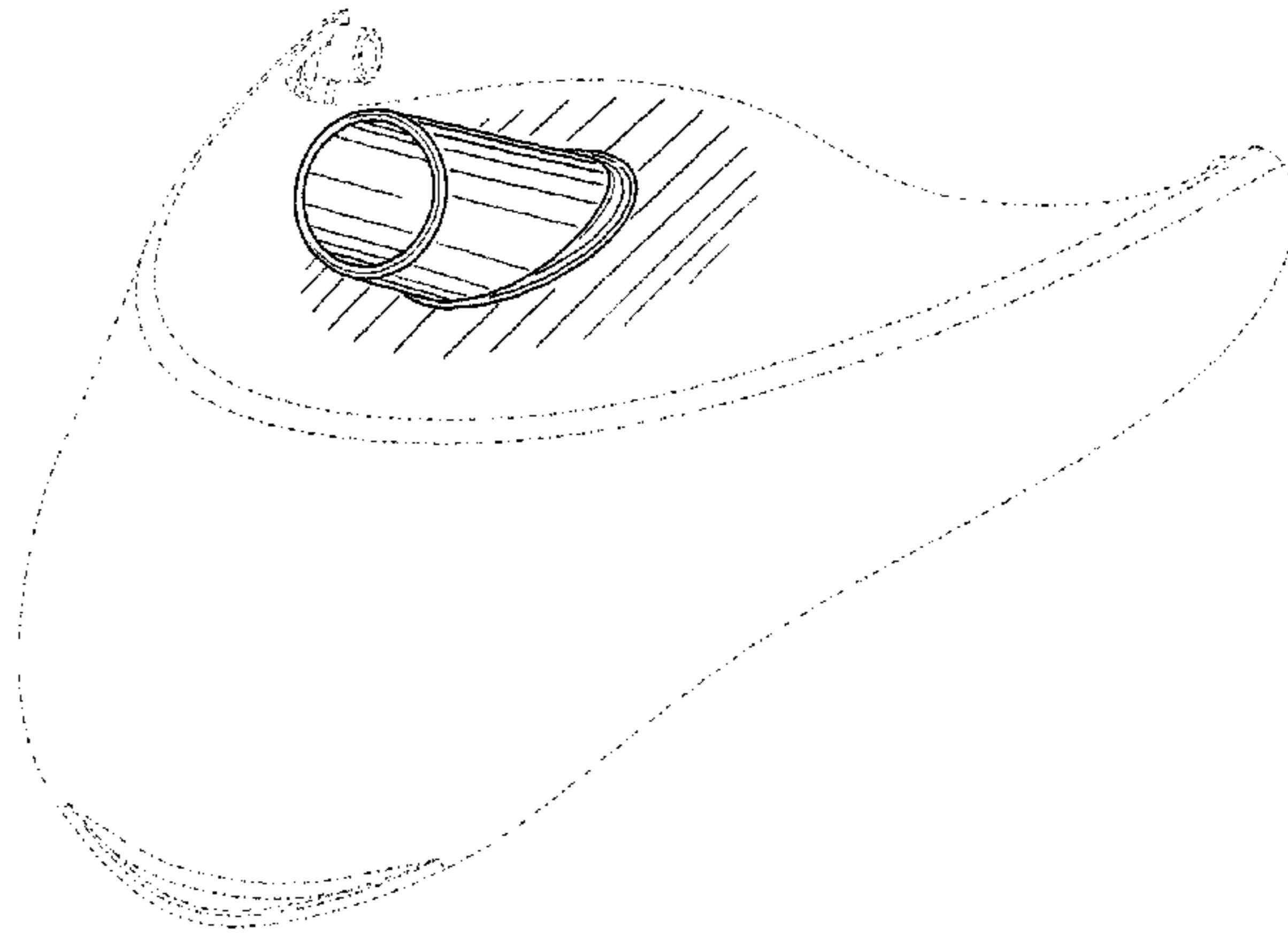
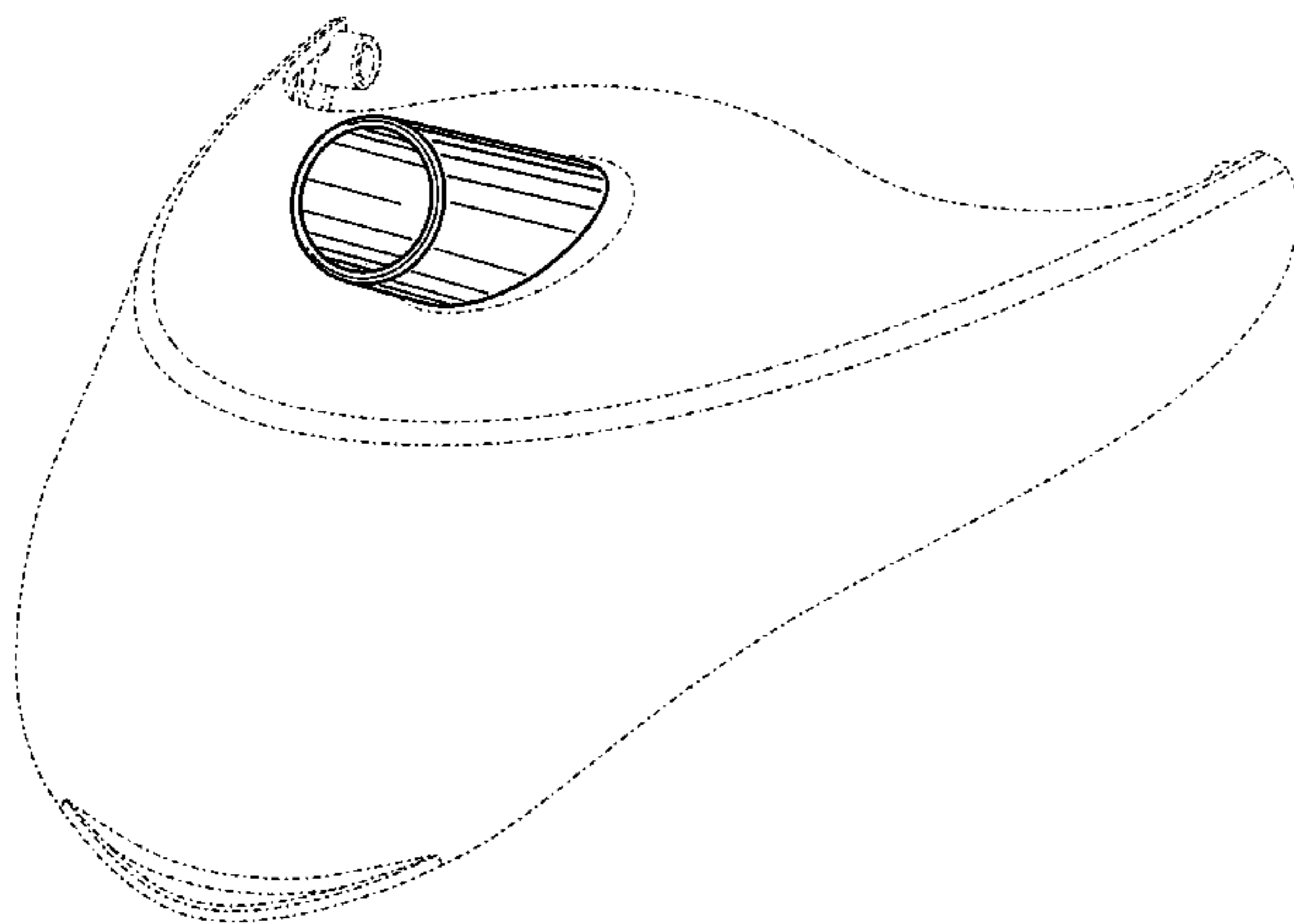
FIG. 5 is a perspective view of a second embodiment of a humidifier tub lid thereof;

FIG. 6 is a top view thereof; and,

FIG. 7 is a front view thereof.

Where included, broken lines showing environment or structure are for illustrative purposes only and form no part of the claimed design.

**1 Claim, 7 Drawing Sheets**



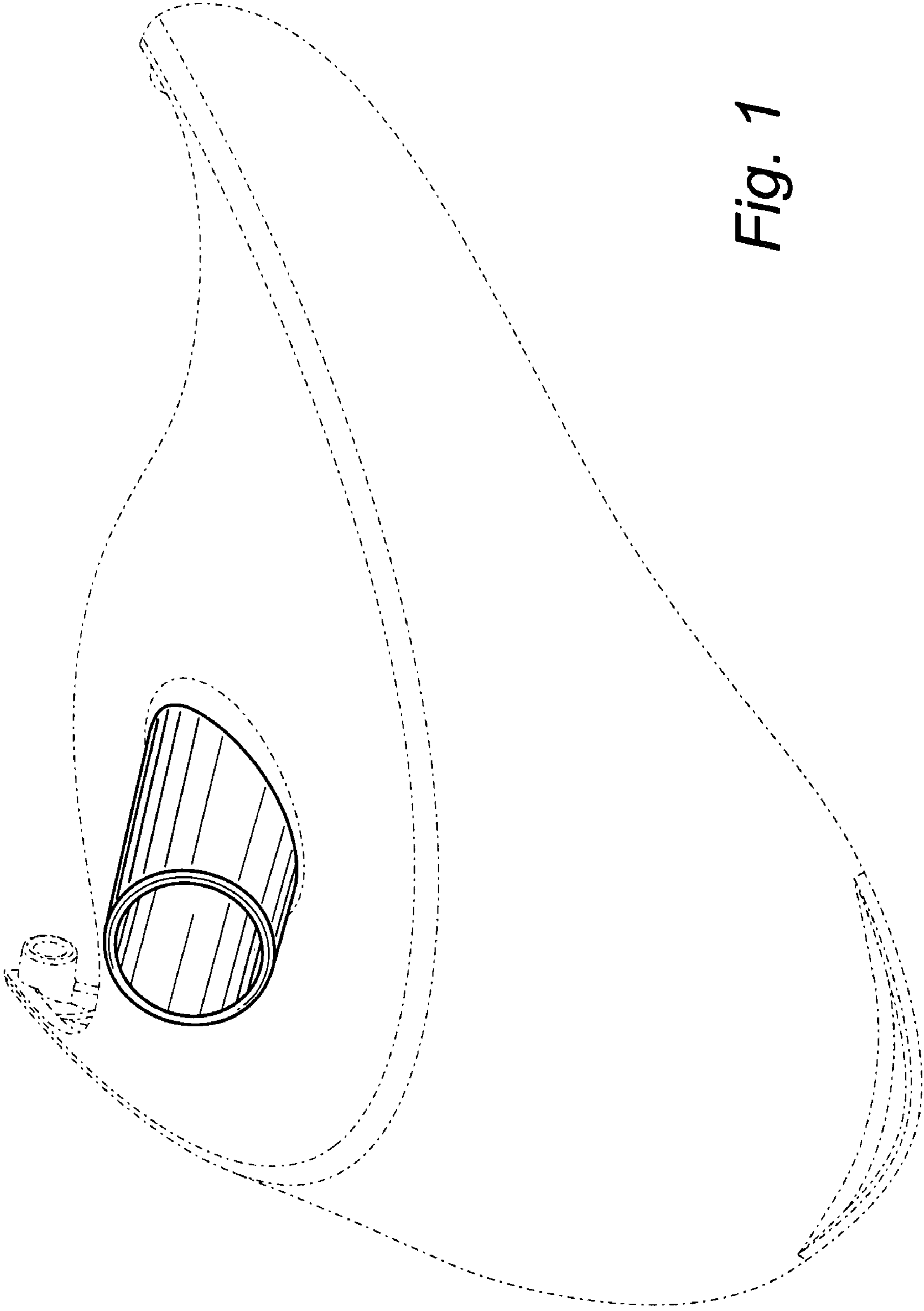


Fig. 1

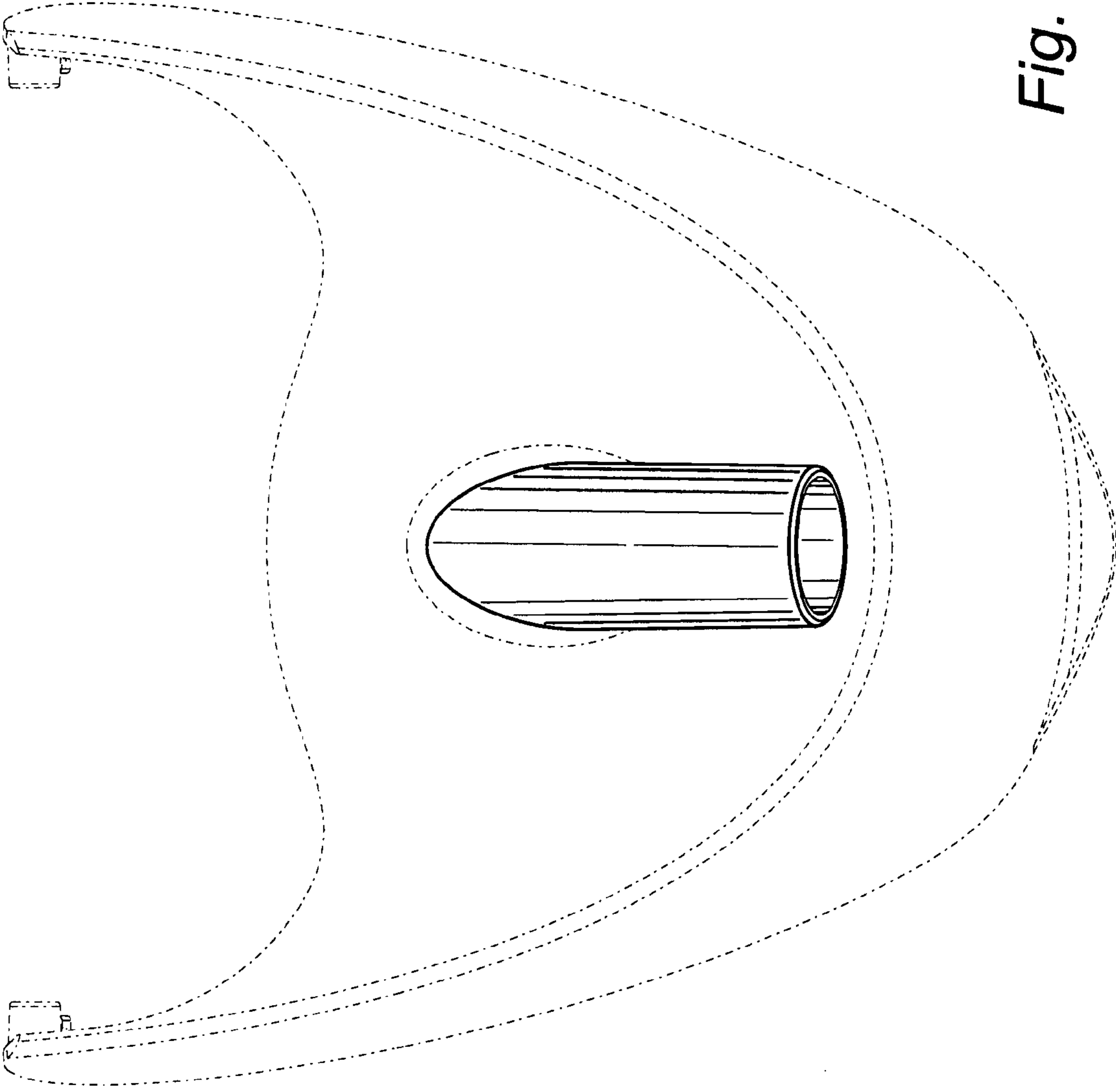


Fig. 2

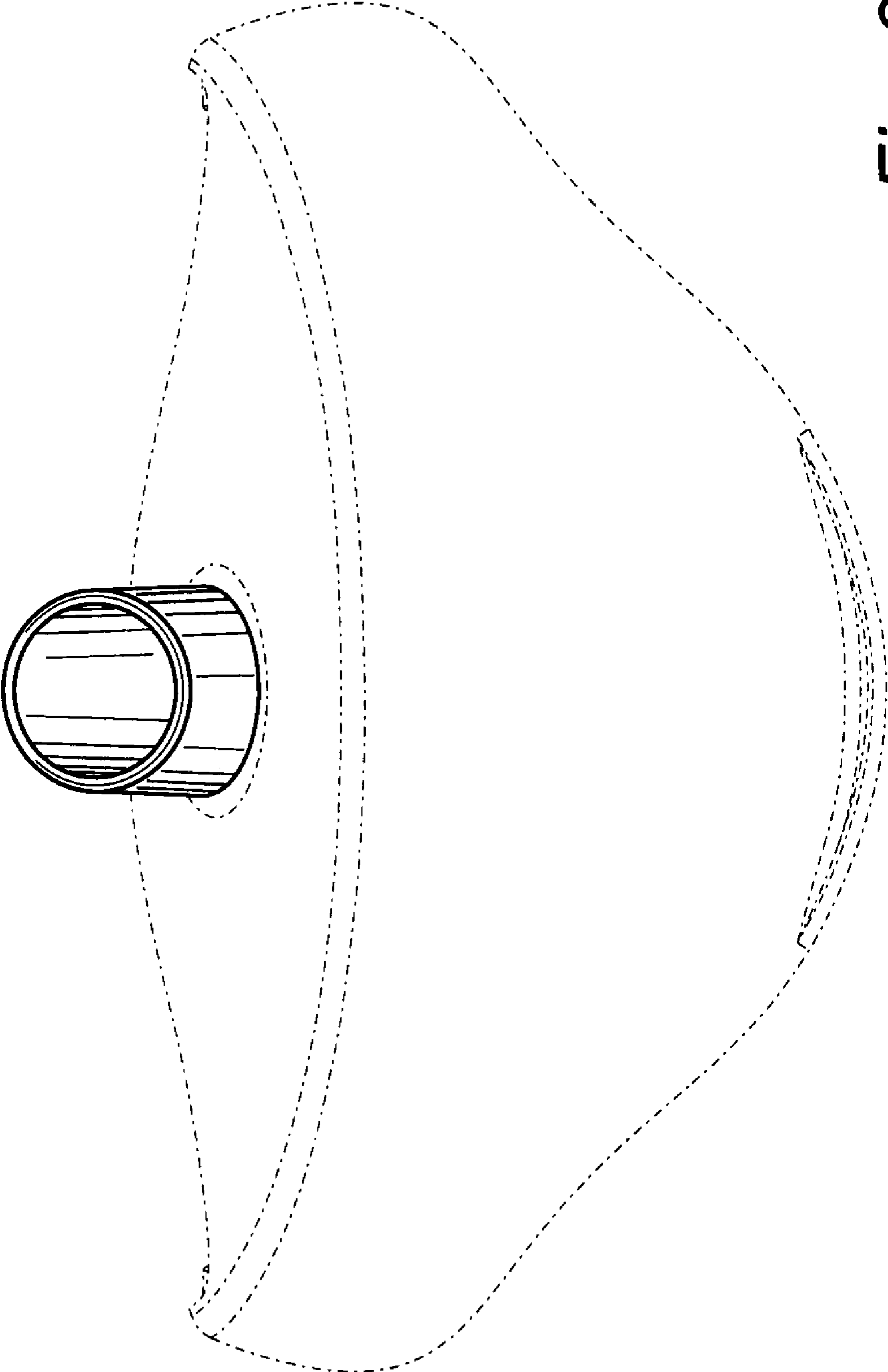


Fig. 3

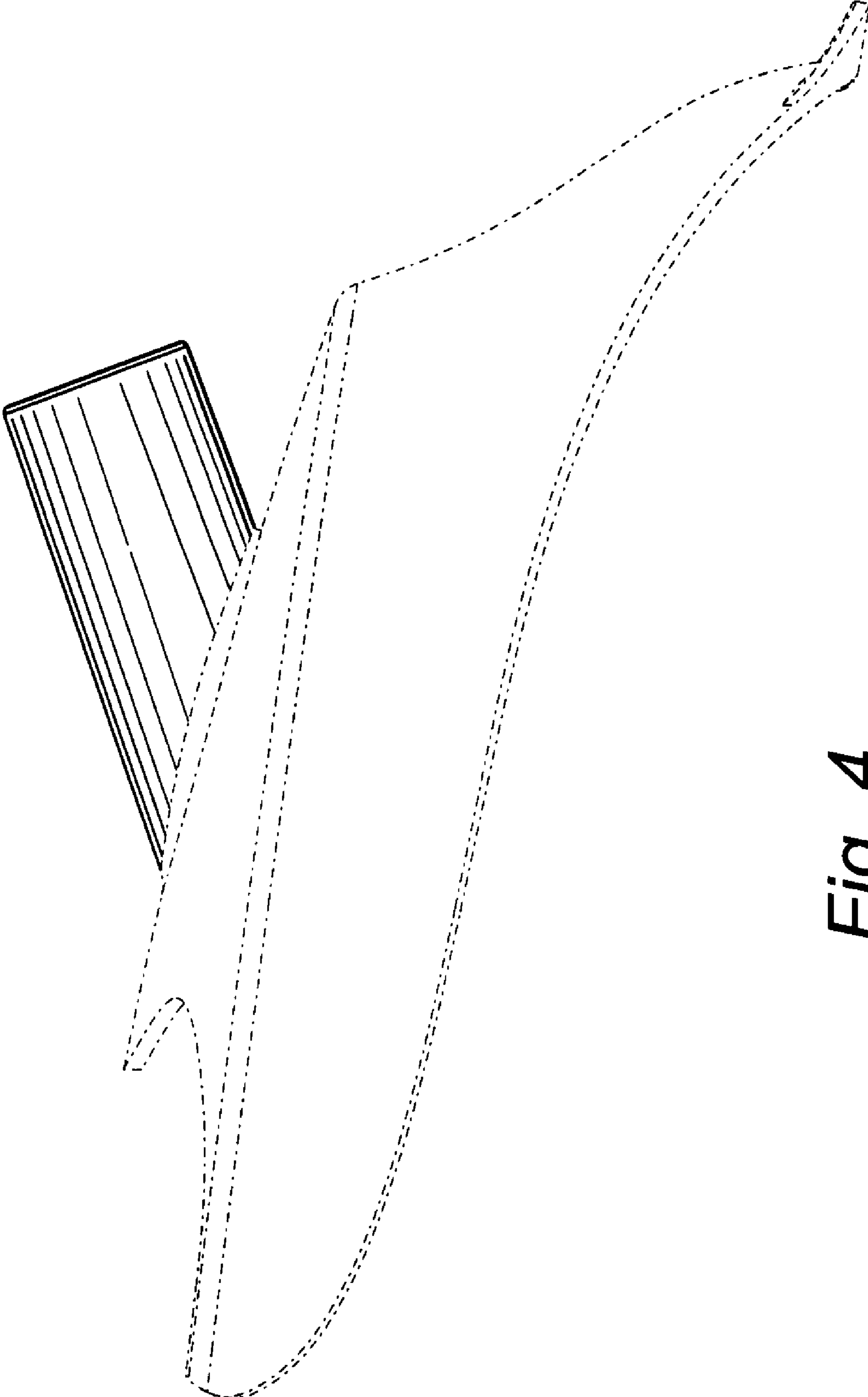


Fig. 4

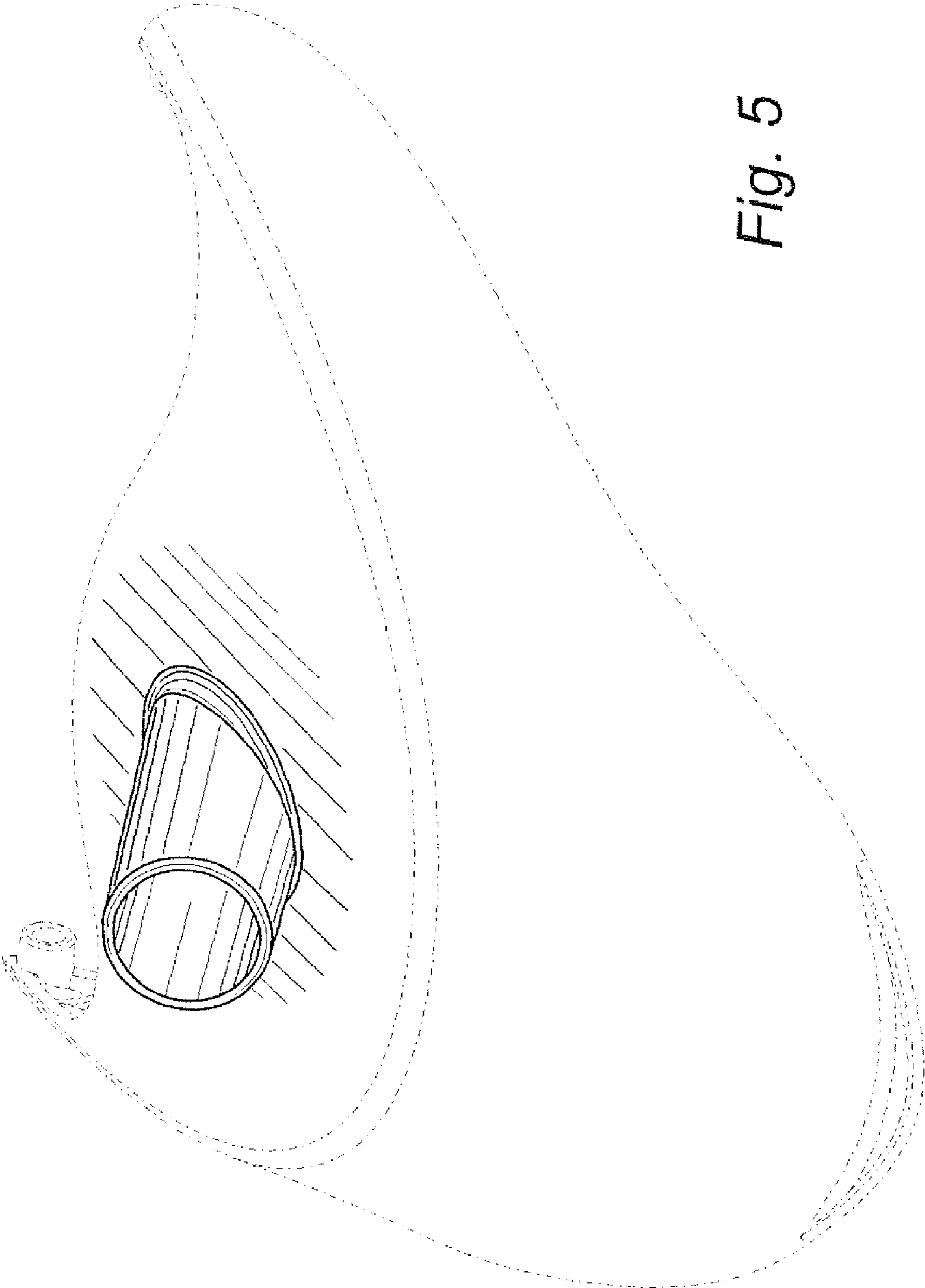


Fig. 5

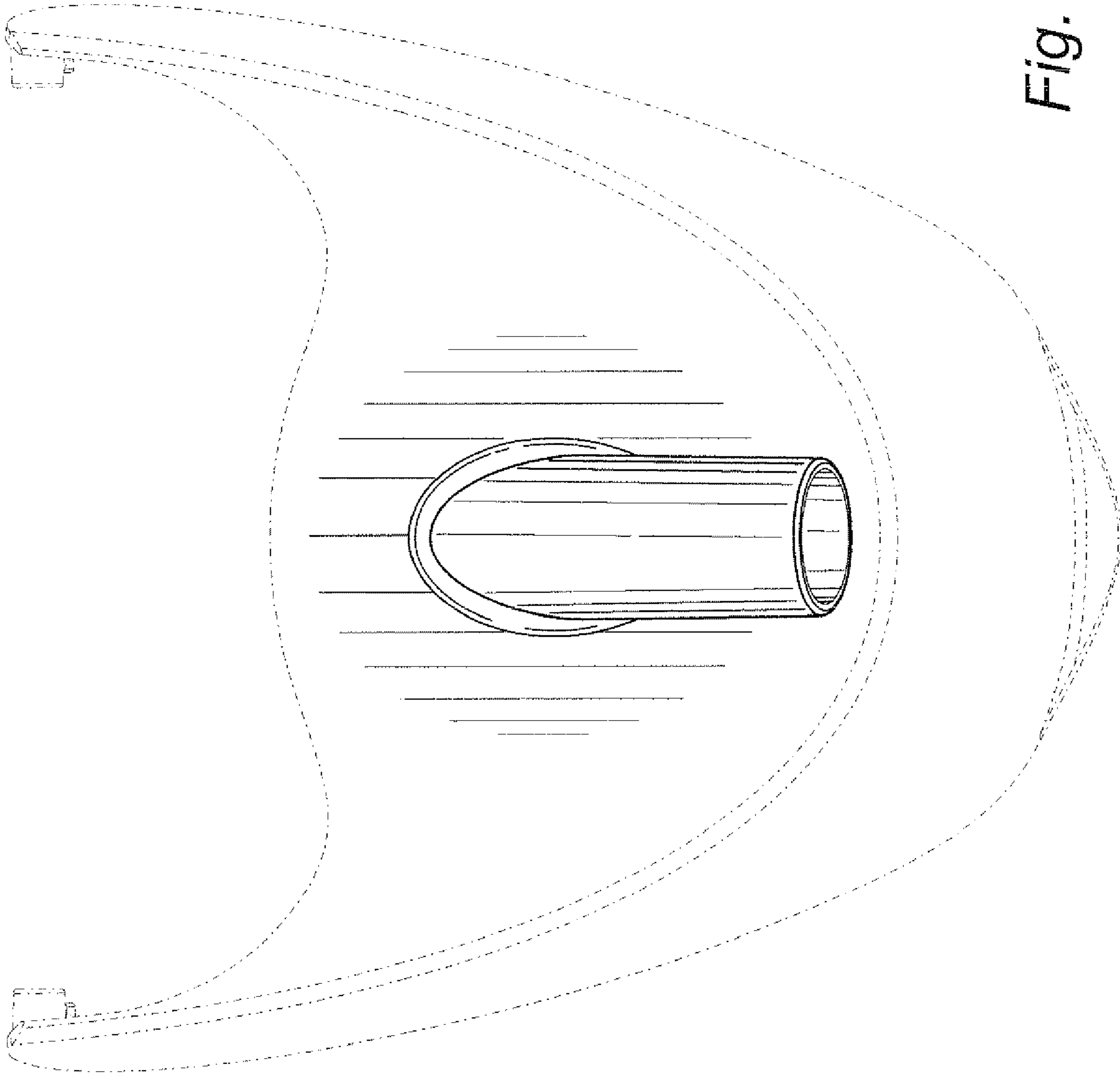


Fig. 6

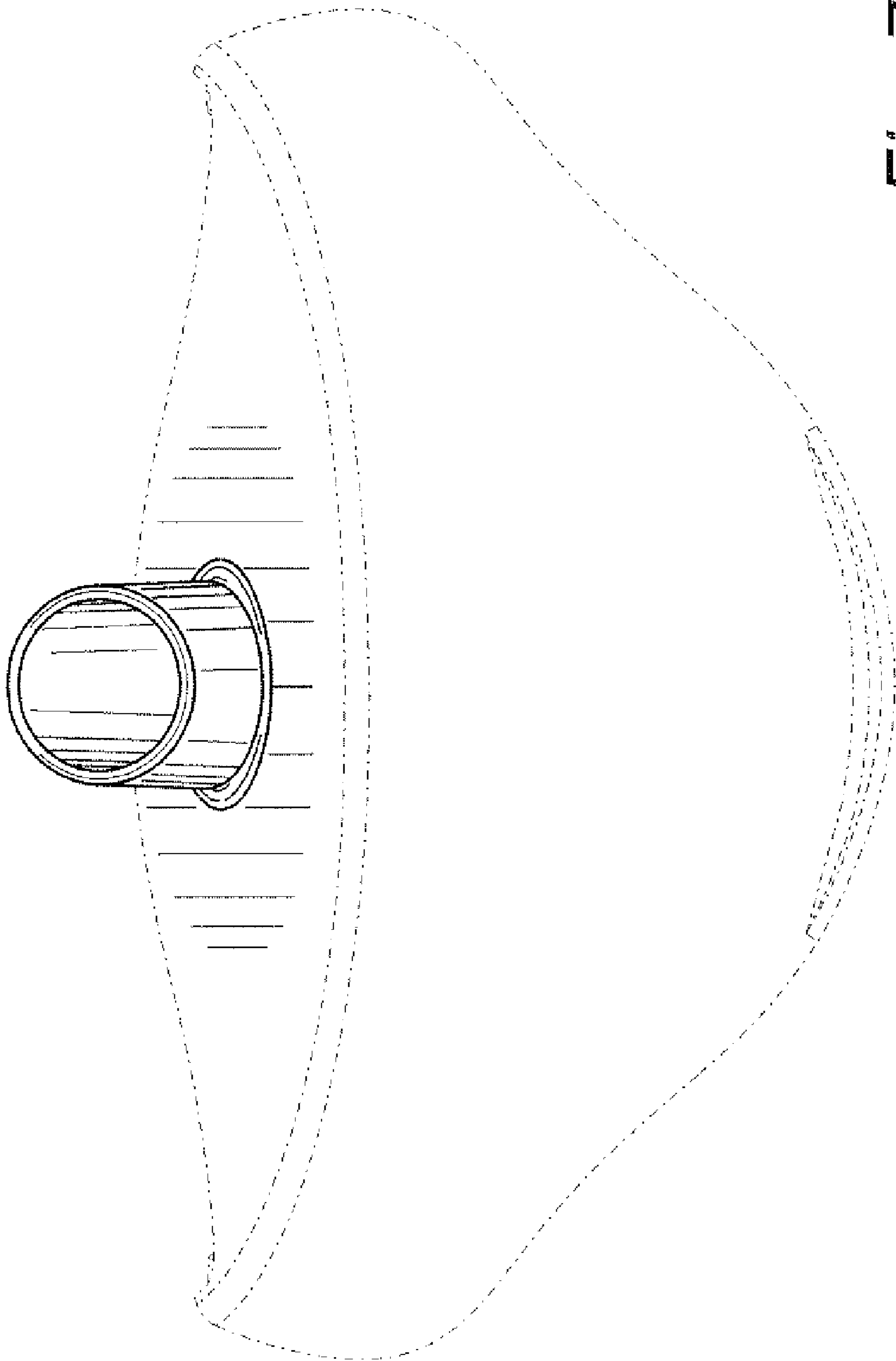


Fig. 7



UNITED STATES PATENT AND TRADEMARK OFFICE  
**CERTIFICATE OF CORRECTION**

PATENT NO. : D621,031 S  
APPLICATION NO. : 29/290128  
DATED : August 3, 2010  
INVENTOR(S) : Perry Lithgow et al.

Page 1 of 1

It is certified that error appears in the above-identified patent and that said Letters Patent is hereby corrected as shown below:

TITLE PAGE: ITEM 75 should read

Perry Lithgow, Glenwood (AU), Duncan Trevor-Wilson, Frenchs Forest (AU), Rohan Primrose, Marsfield (AU), Alexander Virr, Balmain (AU), Mark Bertinetti, Lane Cove (AU), Dan Kao, Chatswood (AU), Michael Janiak, North Epping (AU)

Signed and Sealed this  
Twenty-fourth Day of March, 2015



Michelle K. Lee  
*Director of the United States Patent and Trademark Office*