

US00D621030S

(12) **United States Design Patent**
Falco

(10) **Patent No.:** **US D621,030 S**

(45) **Date of Patent:** **** *Aug. 3, 2010**

(54) **EARPLUG STEM**

(75) Inventor: **Robert Nicolo Falco**, Indianapolis, IN
(US)

(73) Assignee: **3M Innovative Properties Company**,
St. Paul, MN (US)

(*) Notice: This patent is subject to a terminal dis-
claimer.

(**) Term: **14 Years**

(21) Appl. No.: **29/337,618**

(22) Filed: **May 27, 2009**

(51) **LOC (9) Cl.** **24-02**

(52) **U.S. Cl.** **D24/106**

(58) **Field of Classification Search** D24/106;
181/130, 135, 128-129; 128/864-865
See application file for complete search history.

(56) **References Cited**

U.S. PATENT DOCUMENTS

- D269,252 S * 6/1983 Balistreri D9/435
- D274,754 S * 7/1984 Chernack D24/129
- D327,647 S * 7/1992 Lemme D9/434
- D354,656 S * 1/1995 Strawbridge D7/398
- D369,655 S 5/1996 Esler et al.
- D375,551 S 11/1996 Esler et al.
- D413,379 S * 8/1999 Leight D24/106

- D466,995 S 12/2002 Knauer et al.
- D478,658 S * 8/2003 Falco D24/106
- D521,637 S 5/2006 Yang
- D577,812 S * 9/2008 Zwart D24/106
- D595,268 S 6/2009 Kolton

* cited by examiner

Primary Examiner—Elizabeth A Albert

Assistant Examiner—Kelley A Donnelly

(74) *Attorney, Agent, or Firm*—Karl G. Hanson

(57) **CLAIM**

I claim, the ornamental design for an earplug stem, as shown and described.

DESCRIPTION

FIG. 1 is a perspective view of an earplug stem, showing my new design,

FIG. 2 is a first side elevation view thereof, the opposite side being a mirror image thereof;

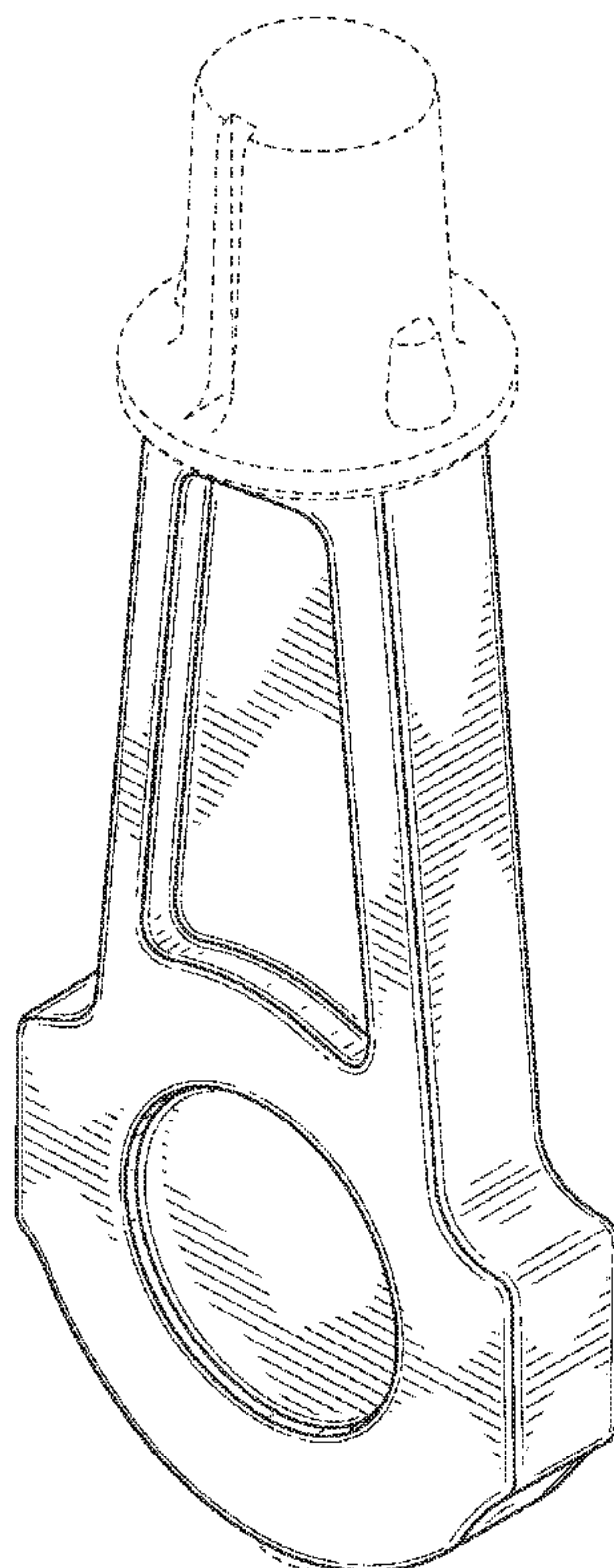
FIG. 3 is a second side elevation view thereof, the opposite side being a mirror image thereof;

FIG. 4 is a top plan view thereof; and,

FIG. 5 is a bottom plan view thereof.

The broken line showing forms no part of the claimed design. The surface shading is provided only to indicate contour. It is not indicative of texture, gloss, etc.

1 Claim, 4 Drawing Sheets



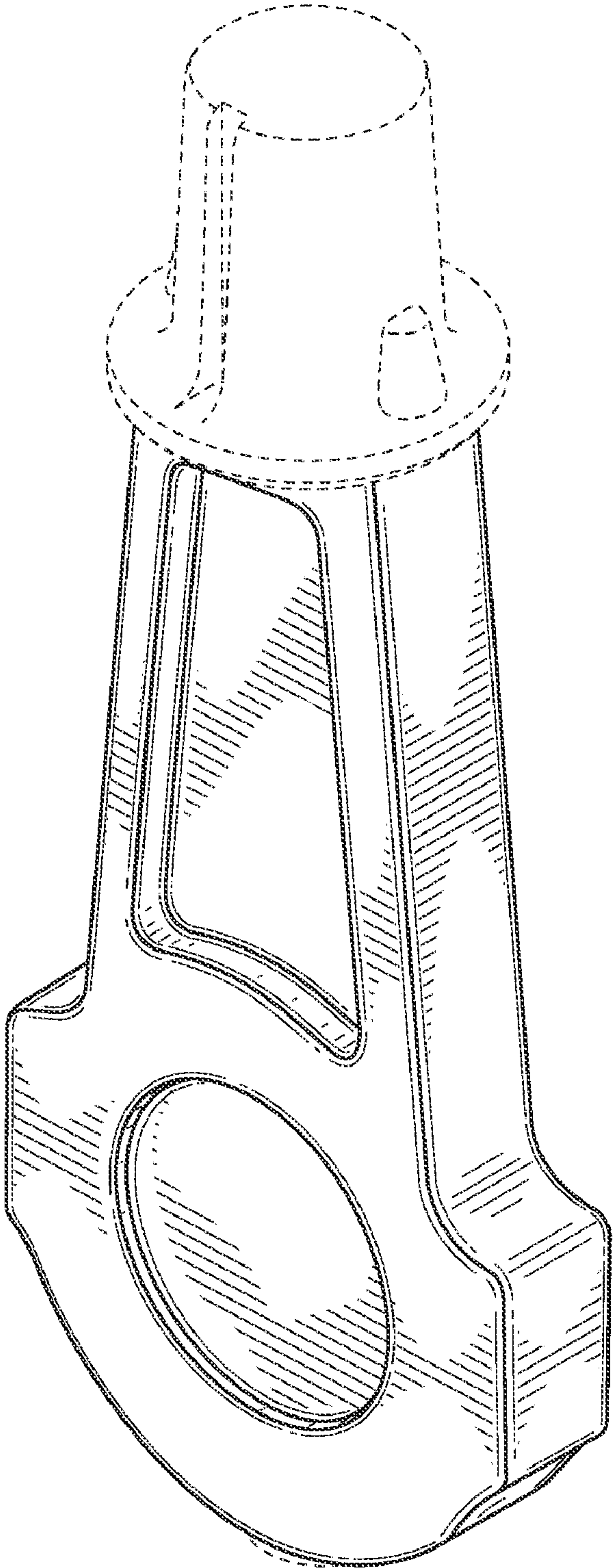


Fig. 1

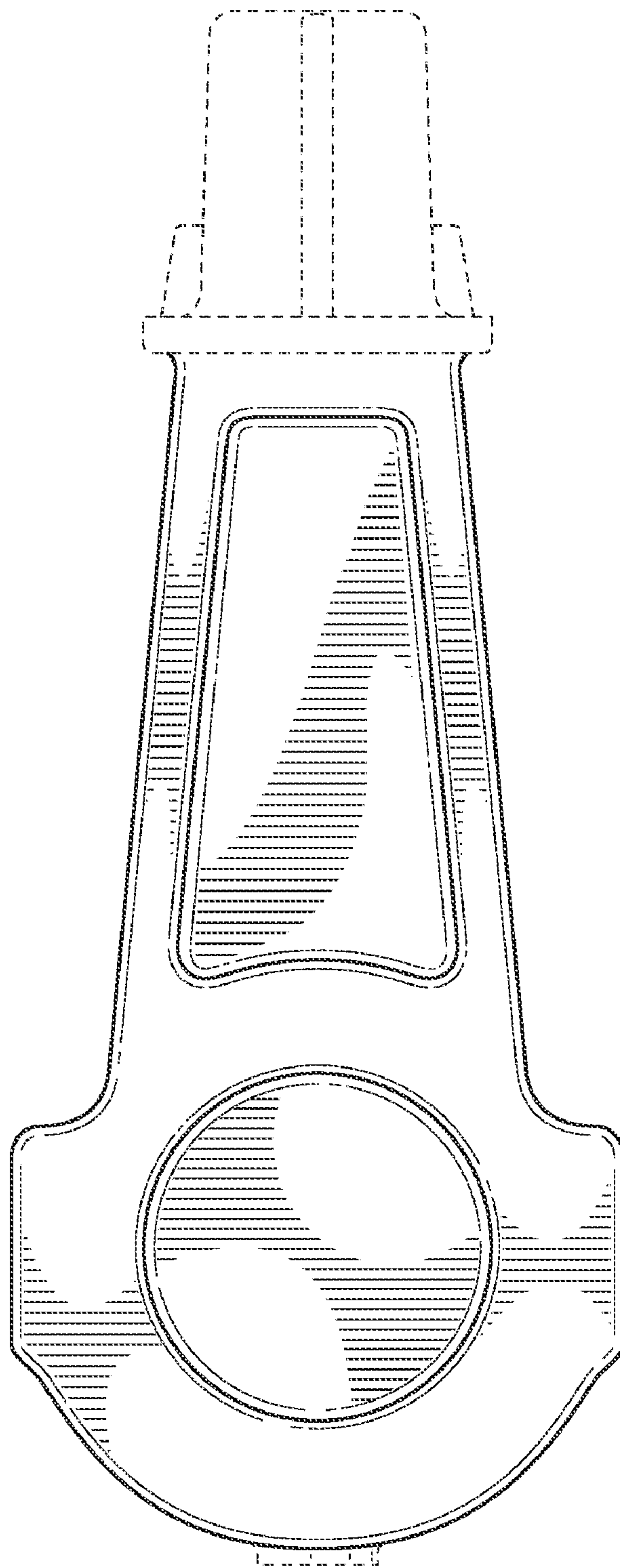


Fig. 2

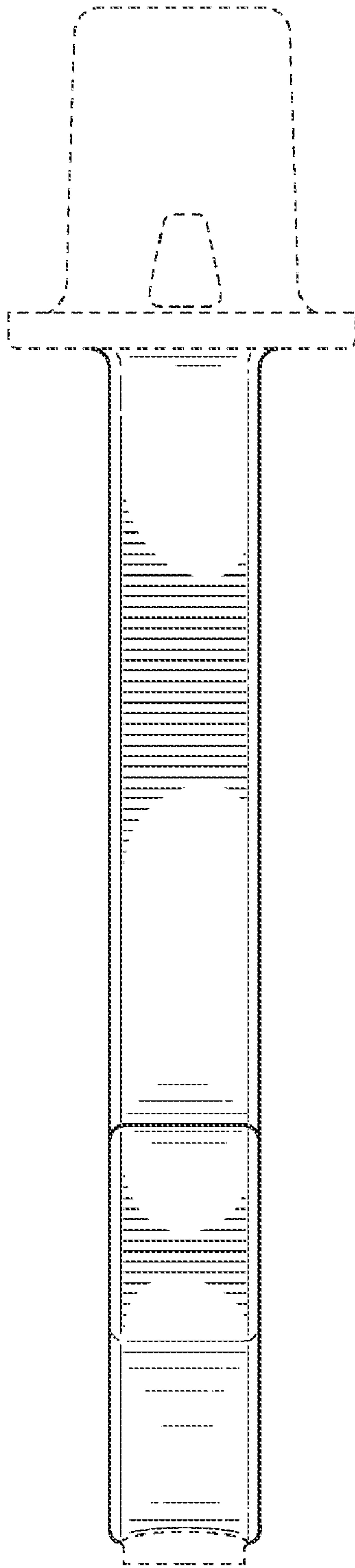


Fig. 3

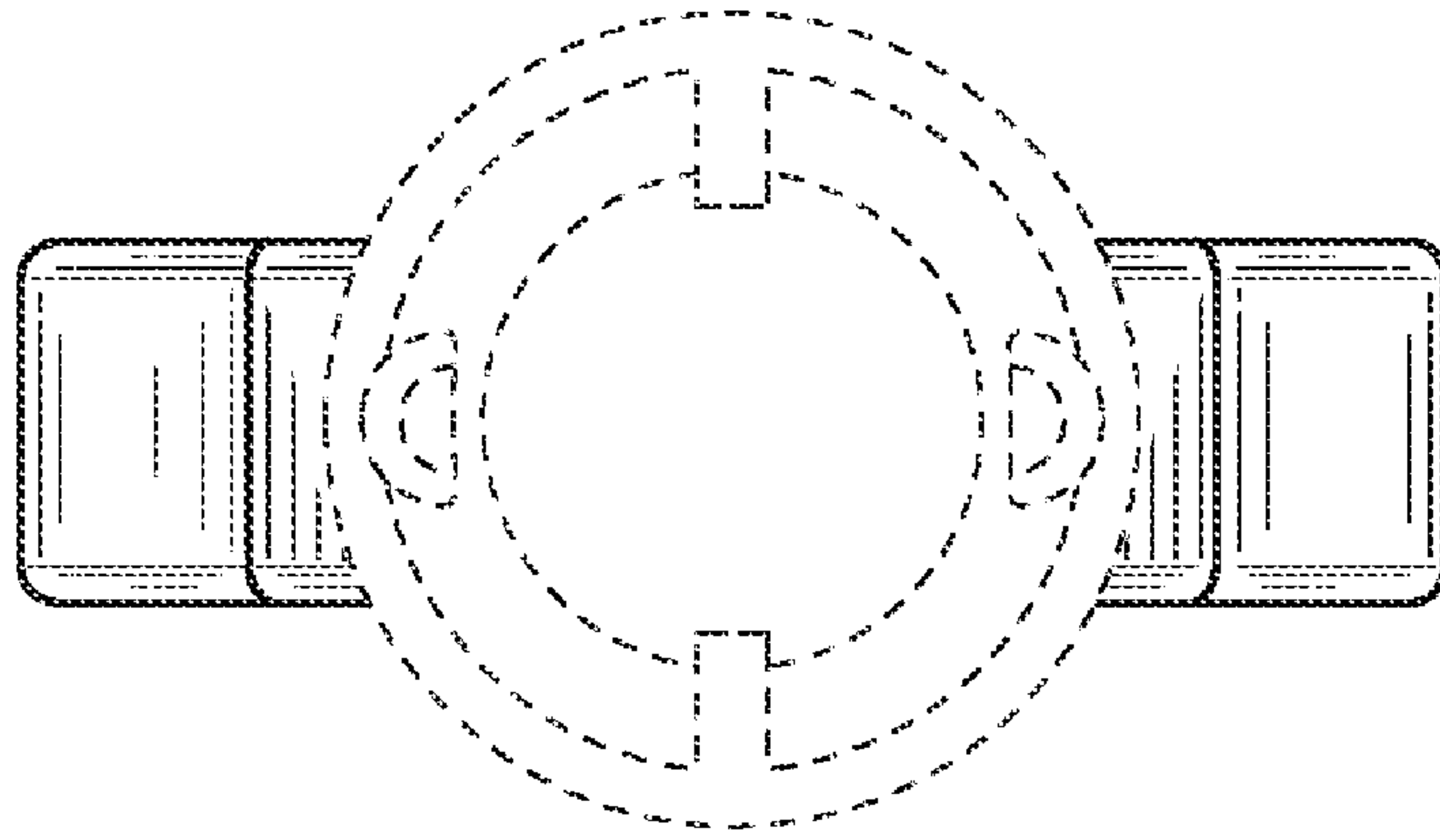


Fig. 4

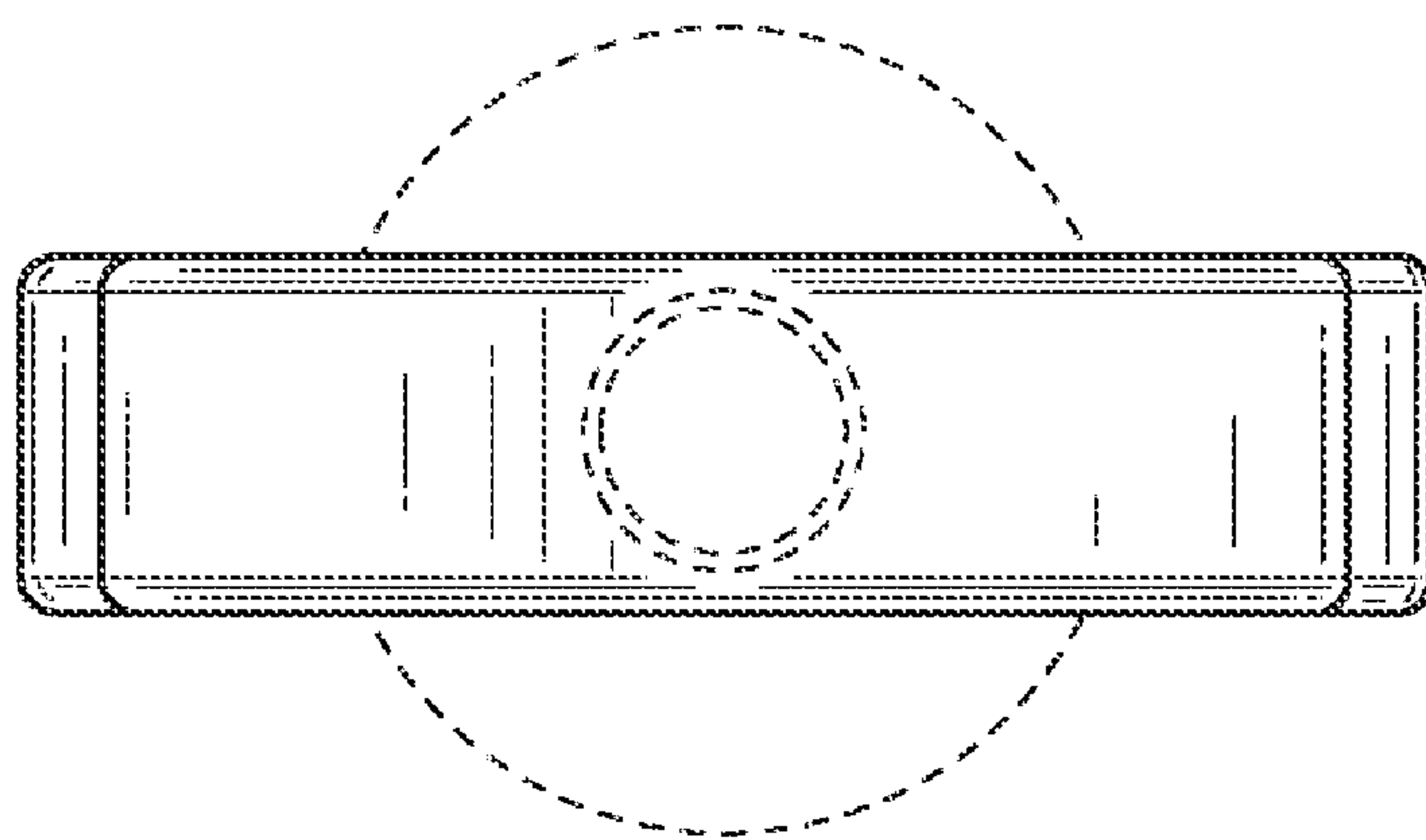


Fig. 5