



US00D621027S

(12) **United States Design Patent**
Peia

(10) **Patent No.:** **US D621,027 S**
(45) **Date of Patent:** **** Aug. 3, 2010**

(54) **FAN HOUSING**

6,779,974 B2 * 8/2004 Chien 415/206

(75) Inventor: **Rodica Peia**, Zimmern Ob Rottweil
(DE)

* cited by examiner

(73) Assignee: **EBM-PAPST St. Georgen GmbH & Co. KG**, St. Georgen (DE)

Primary Examiner—Lisa P Lichtenstein
(74) *Attorney, Agent, or Firm*—Oliver I.P. LLC; Milton Oliver, Esq.

(**) Term: **14 Years**

(57) **CLAIM**

(21) Appl. No.: **29/340,006**

The ornamental design for a fan housing, as shown and described.

(22) Filed: **Jul. 13, 2009**

DESCRIPTION

(30) **Foreign Application Priority Data**

Jan. 14, 2009 (EM) 001075279

FIG. 1 is a perspective view of a first, rounded-bottom-edge embodiment of the invention, with interior fan blades omitted for ease of illustration;

(51) **LOC (9) Cl.** **23-04**

FIG. 2 is a front view thereof;

(52) **U.S. Cl.** **D23/411**

FIG. 3 is a rear view thereof;

(58) **Field of Classification Search** D23/370,
D23/411; 415/208.2, 203

FIG. 4 is a view looking from the right side of FIG. 1;

See application file for complete search history.

FIG. 5 is a view looking from the left side of FIG. 1;

(56) **References Cited**

FIG. 6 is a top view; and,

U.S. PATENT DOCUMENTS

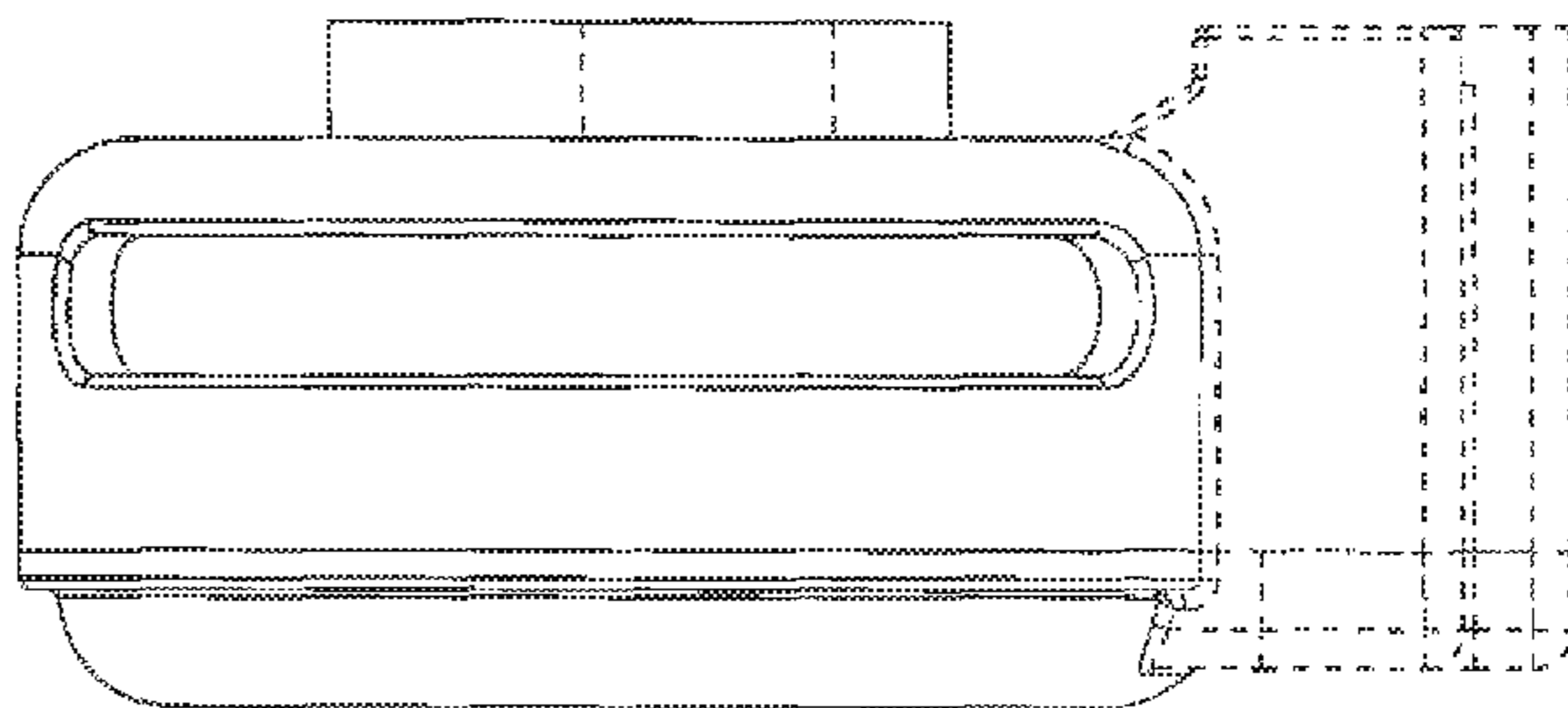
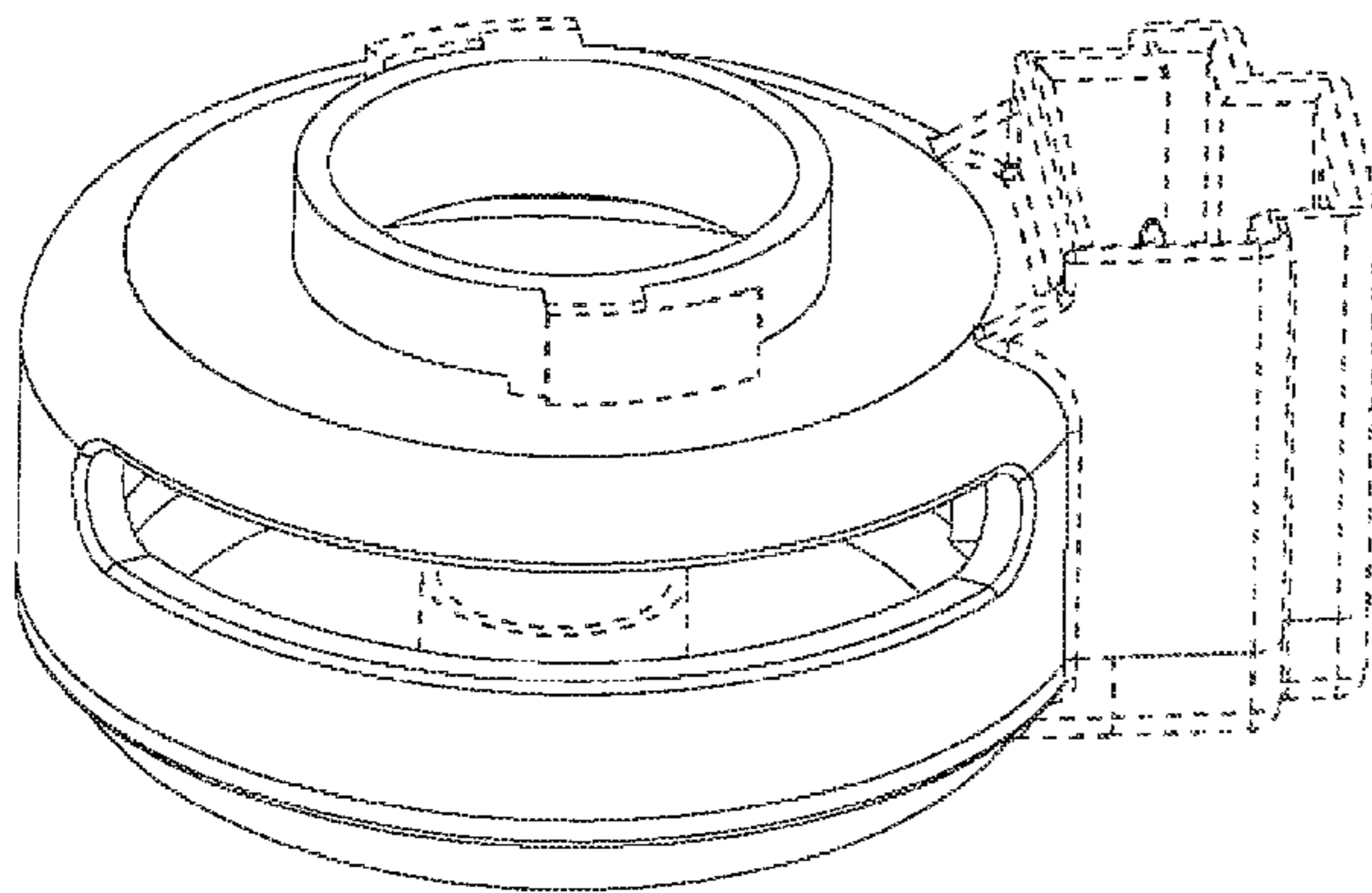
FIG. 7 is a bottom view.

D437,042 S * 1/2001 Kapturowski D23/370

The broken line showing of the attachment member and other portions is included for the purpose of illustrating environmental structure and forms no part of the claimed design.

D439,648 S * 3/2001 Jones et al. D23/370

1 Claim, 7 Drawing Sheets



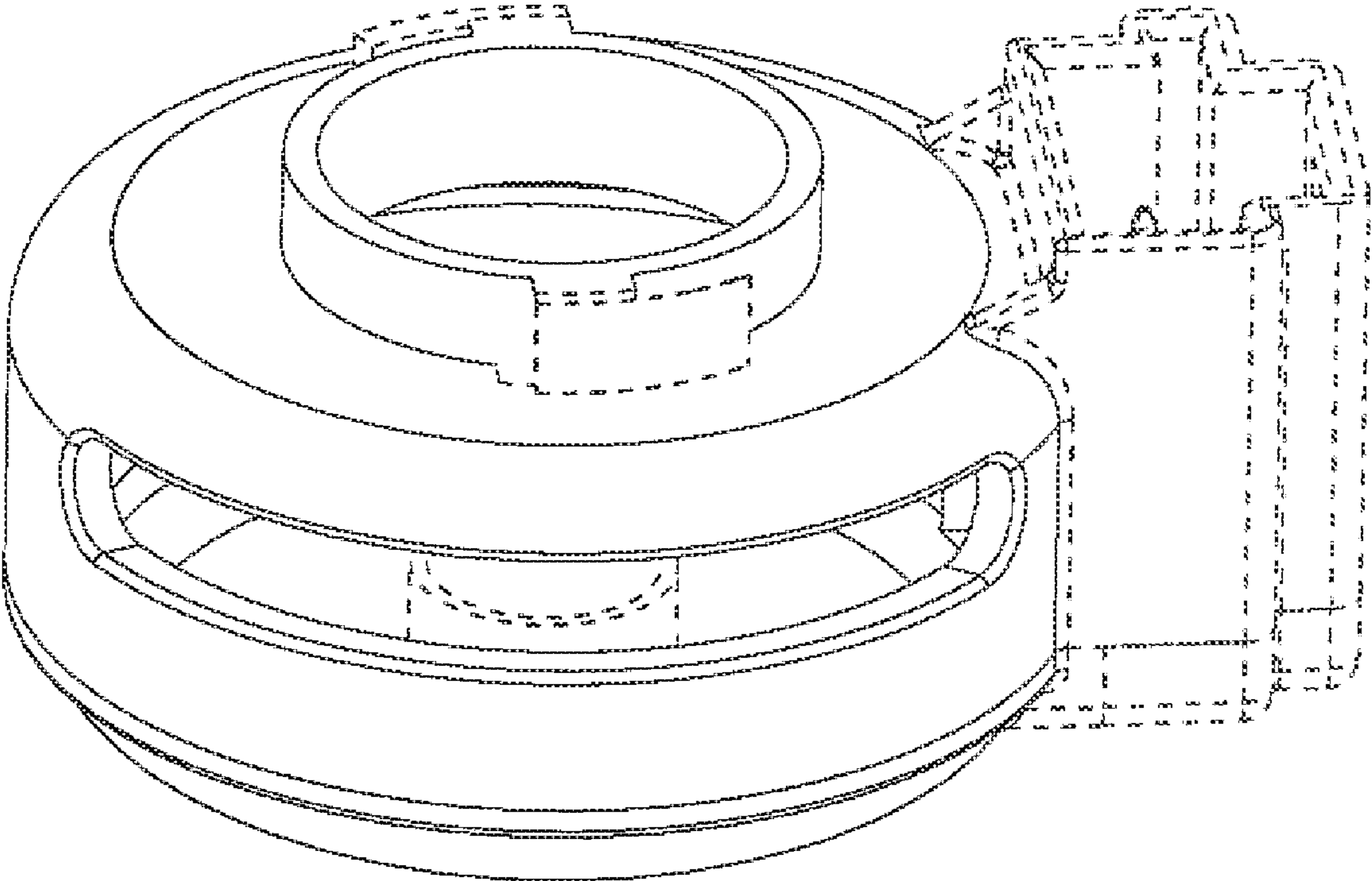


FIG. 1

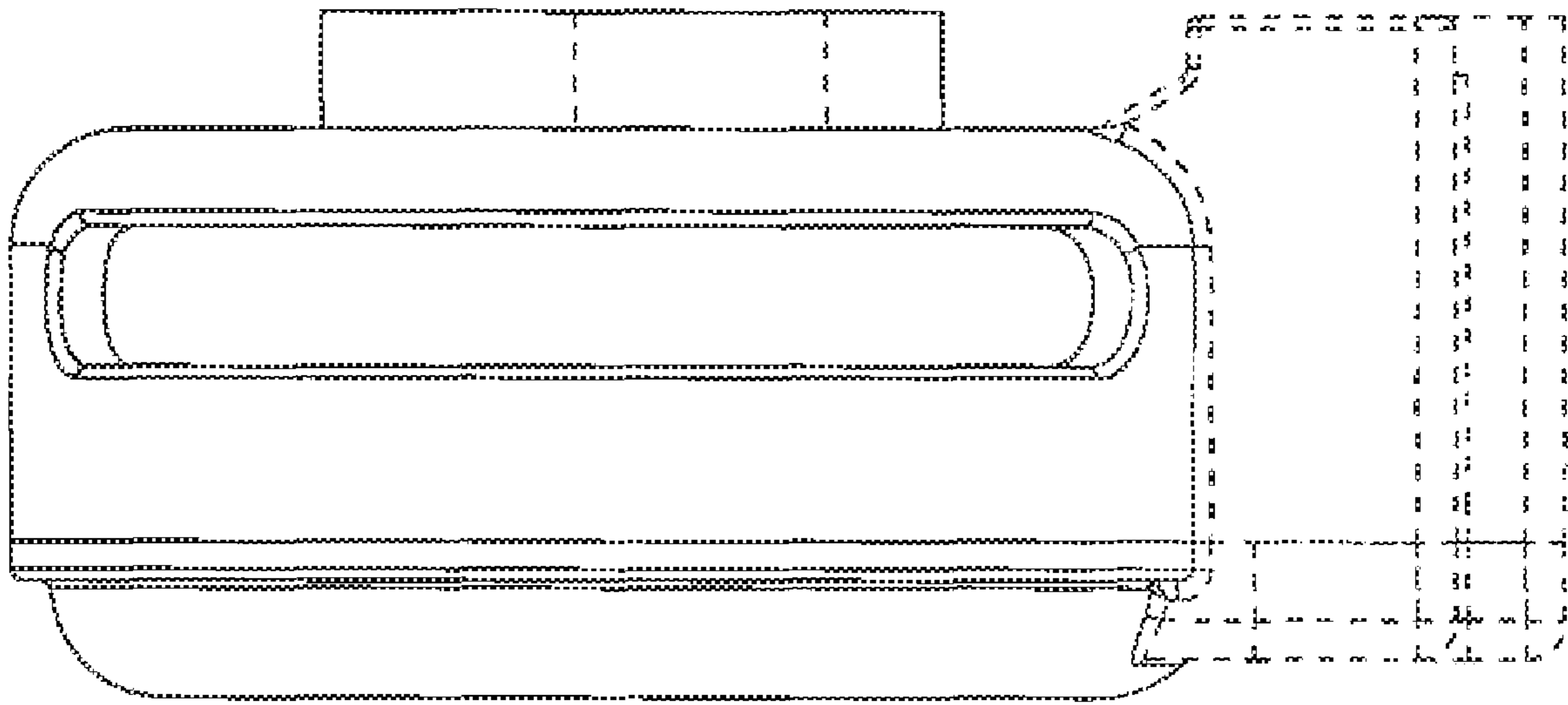


FIG. 2

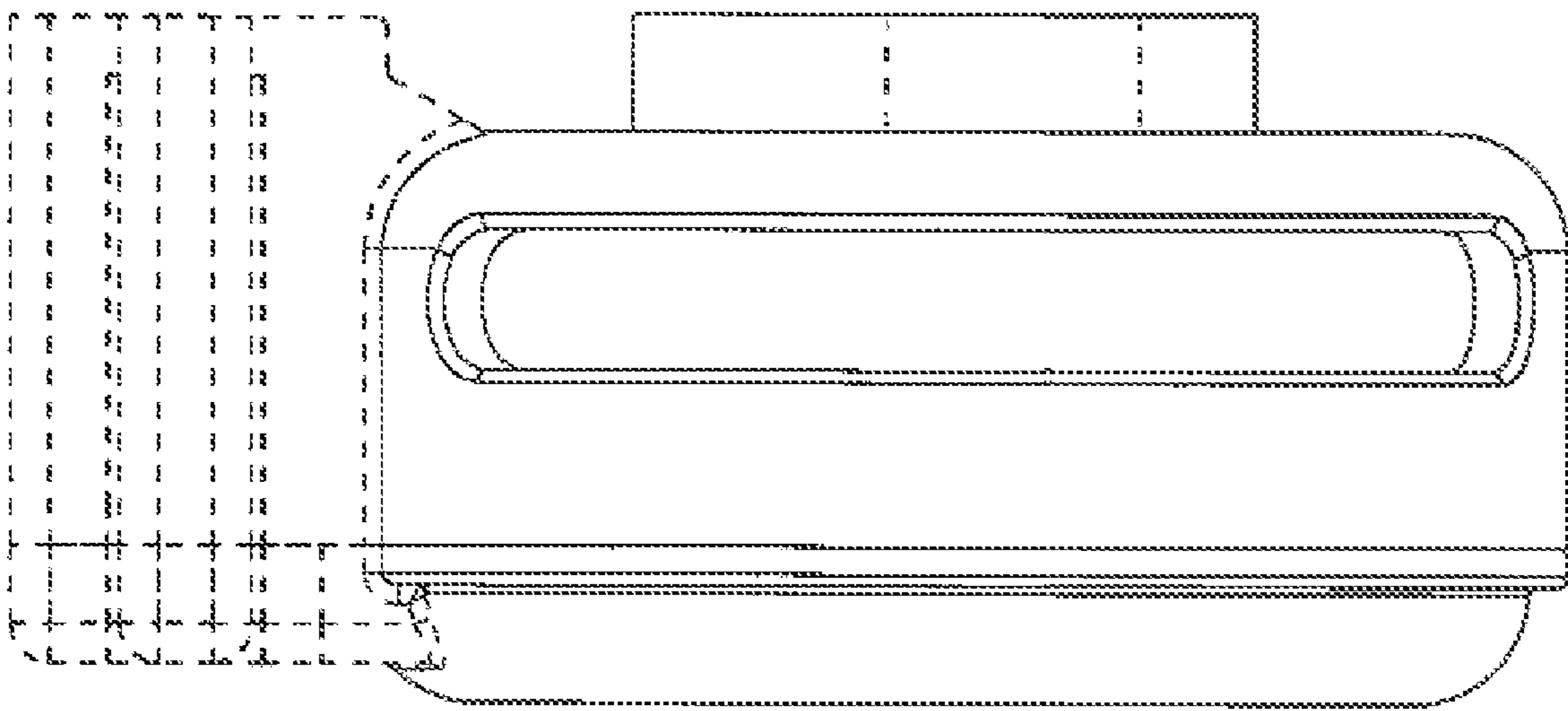


FIG. 3

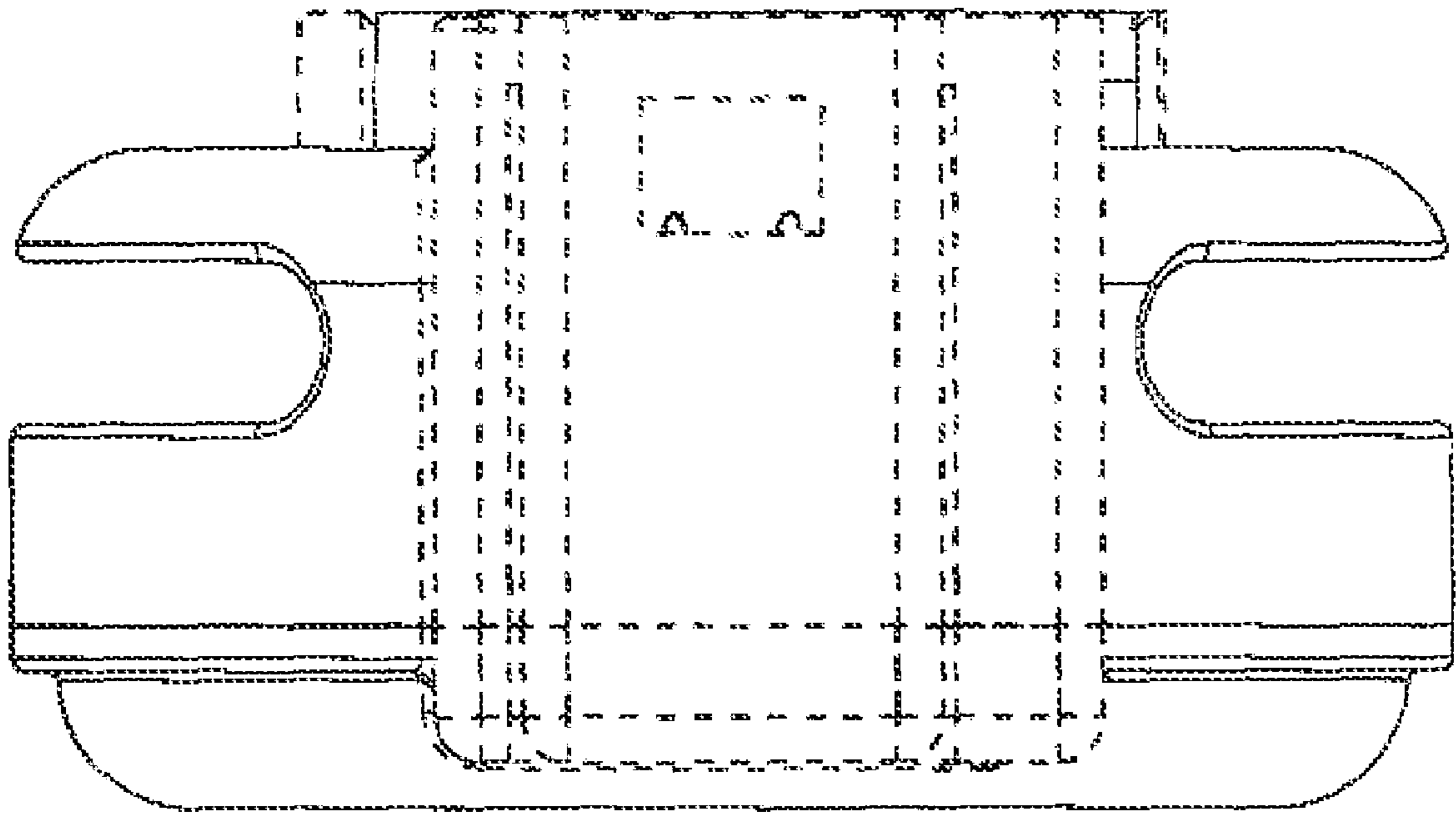


FIG. 4

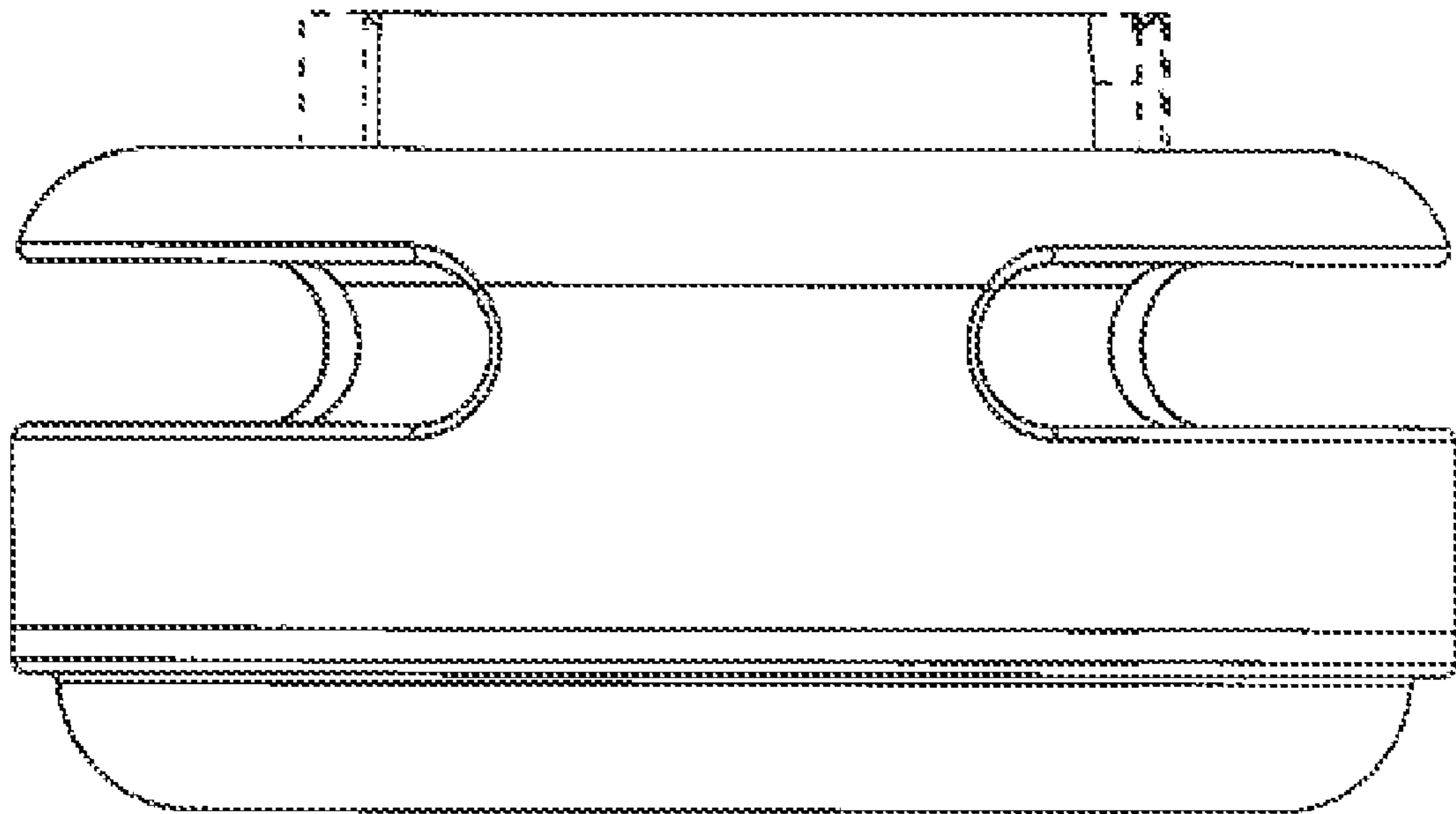


FIG. 5

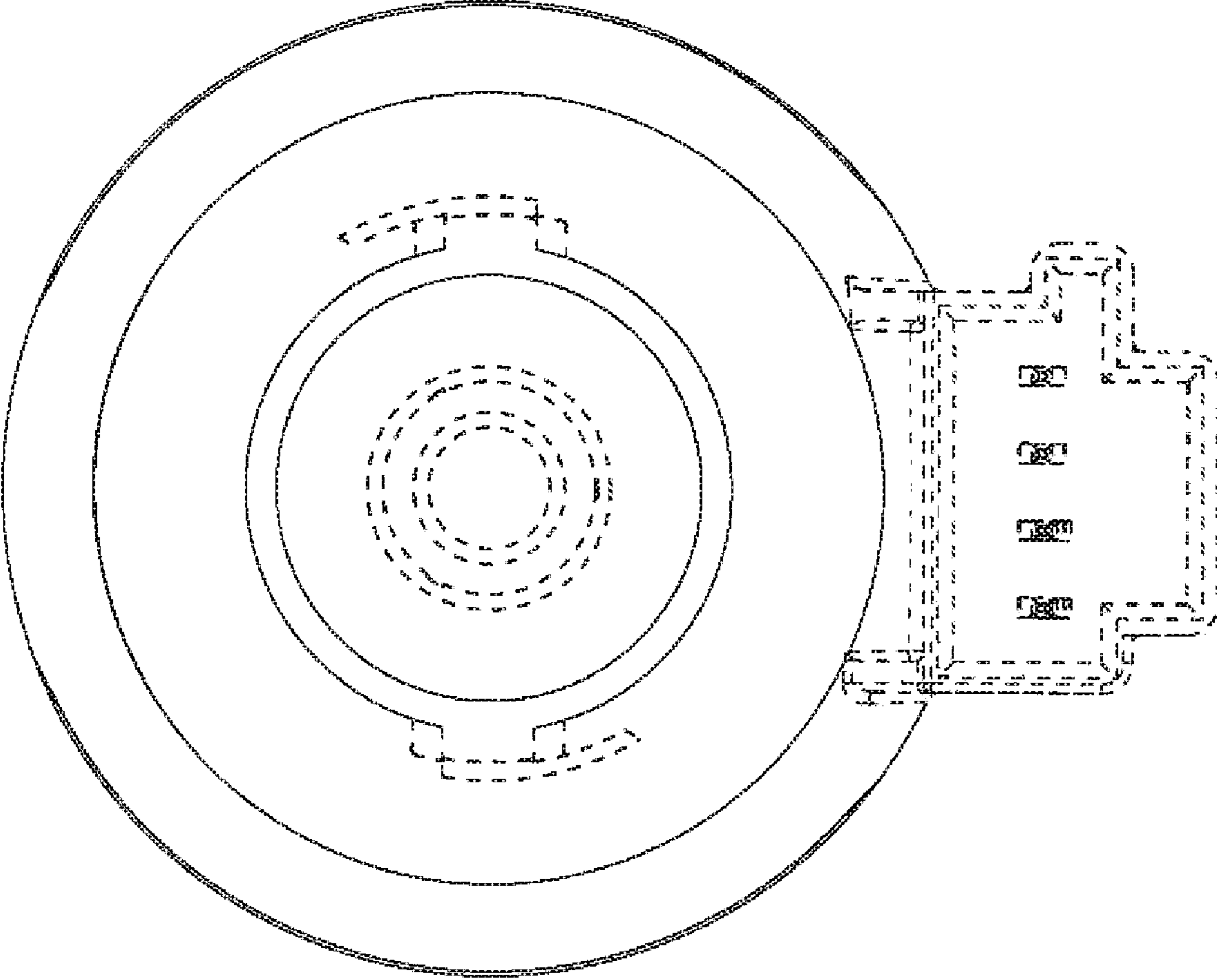


FIG. 6

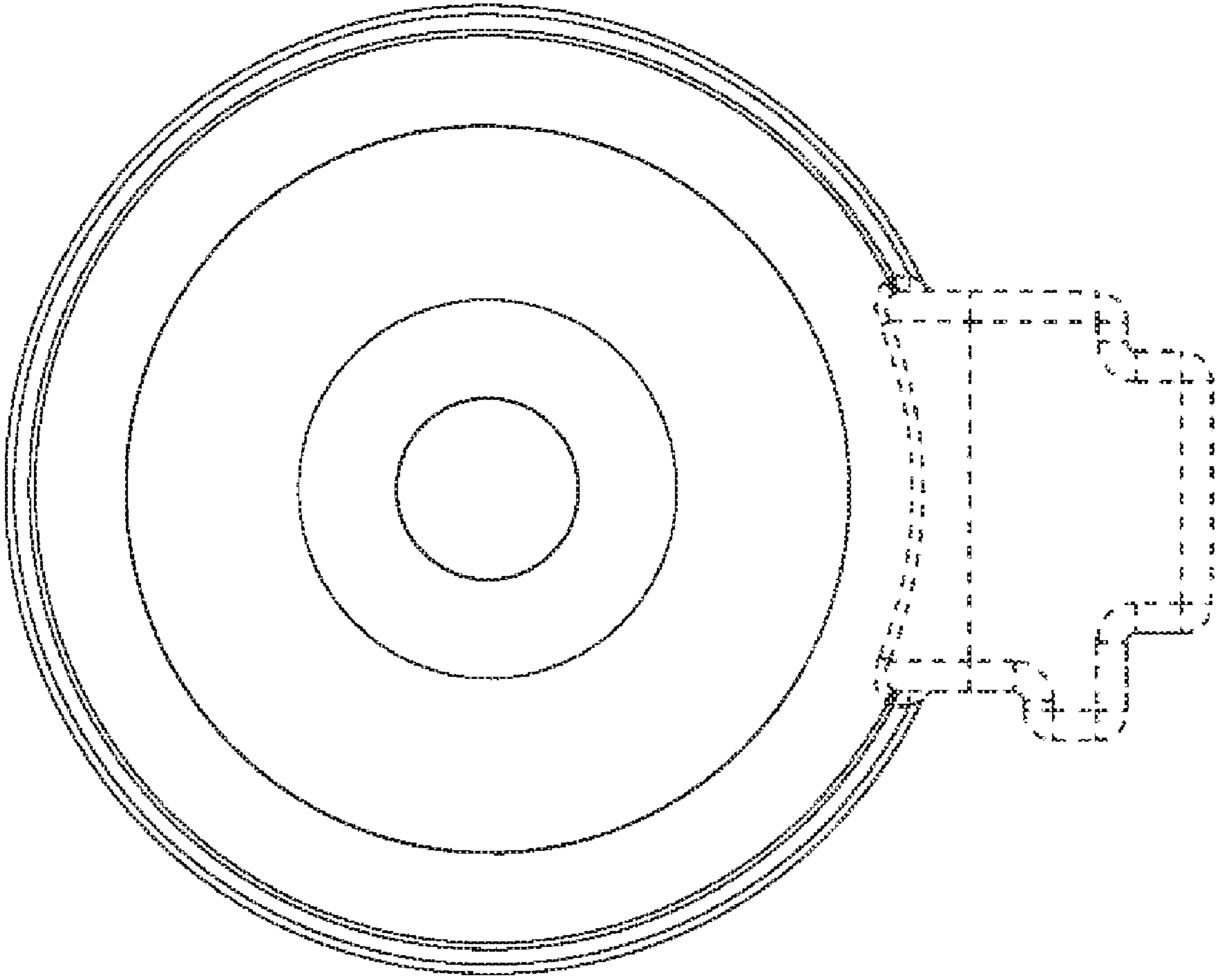


FIG. 7