



US00D621026S

(12) **United States Design Patent**
Peterson et al.

(10) **Patent No.:** **US D621,026 S**

(45) **Date of Patent:** **** Aug. 3, 2010**

(54) **SET OF FAN PARTS**

(75) Inventors: **Christopher Donald Peterson**,
Arlington Heights, IL (US); **Henry
Haiying Wu**, Chicago, IL (US); **Scott W.
Jackson**, Naperville, IL (US); **Manuel
Almanza**, LaGrange Park, IL (US);
Chungkin Yee, Naperville, IL (US)

(73) Assignee: **Camair LLC**, Chicago, IL (US)

(**) Term: **14 Years**

(21) Appl. No.: **29/340,855**

(22) Filed: **Jul. 27, 2009**

(51) **LOC (9) Cl.** **23-04**

(52) **U.S. Cl.** **D23/382**

(58) **Field of Classification Search** D23/411,
D23/370, 381, 382, 332, 412, 335; 416/244 R,
416/247 R

See application file for complete search history.

(56) **References Cited**

U.S. PATENT DOCUMENTS

D312,124 S	11/1990	Coup et al.	
D325,629 S	4/1992	Coup et al.	
D329,089 S	9/1992	Coup et al.	
RE34,551 E	2/1994	Coup et al.	
D376,005 S	11/1996	Litvin	
5,609,473 A	3/1997	Litvin	
D391,631 S	3/1998	Litvin	
D398,983 S	9/1998	Keller et al.	
D400,242 S	* 10/1998	Litvin D23/382
D402,363 S	* 12/1998	Birdsell et al. D23/382
D421,114 S	* 2/2000	Lozzio et al. D23/382

D441,065 S	4/2001	Ediger et al.
D444,222 S	6/2001	Wilson, Jr.
D444,871 S	7/2001	Wilson, Jr.
D451,190 S	11/2001	Chen et al.
D467,326 S	12/2002	Sshapiro
D486,900 S	2/2004	Keller et al.
D537,516 S	2/2007	Ediger et al.
D567,934 S	4/2008	Shapiro
D582,531 S	12/2008	Israel et al.
7,530,783 B1	5/2009	Ediger

* cited by examiner

Primary Examiner—Lisa P Lichtenstein

(74) *Attorney, Agent, or Firm*—Fitch, Even, Tabin & Flannery

(57) **CLAIM**

The ornamental design for a set of fan parts, as shown and described.

DESCRIPTION

FIG. 1 is a perspective view of assembled set of fan parts in accordance with our new design;

FIG. 2 is a front elevational view of the set of fan parts of FIG. 1;

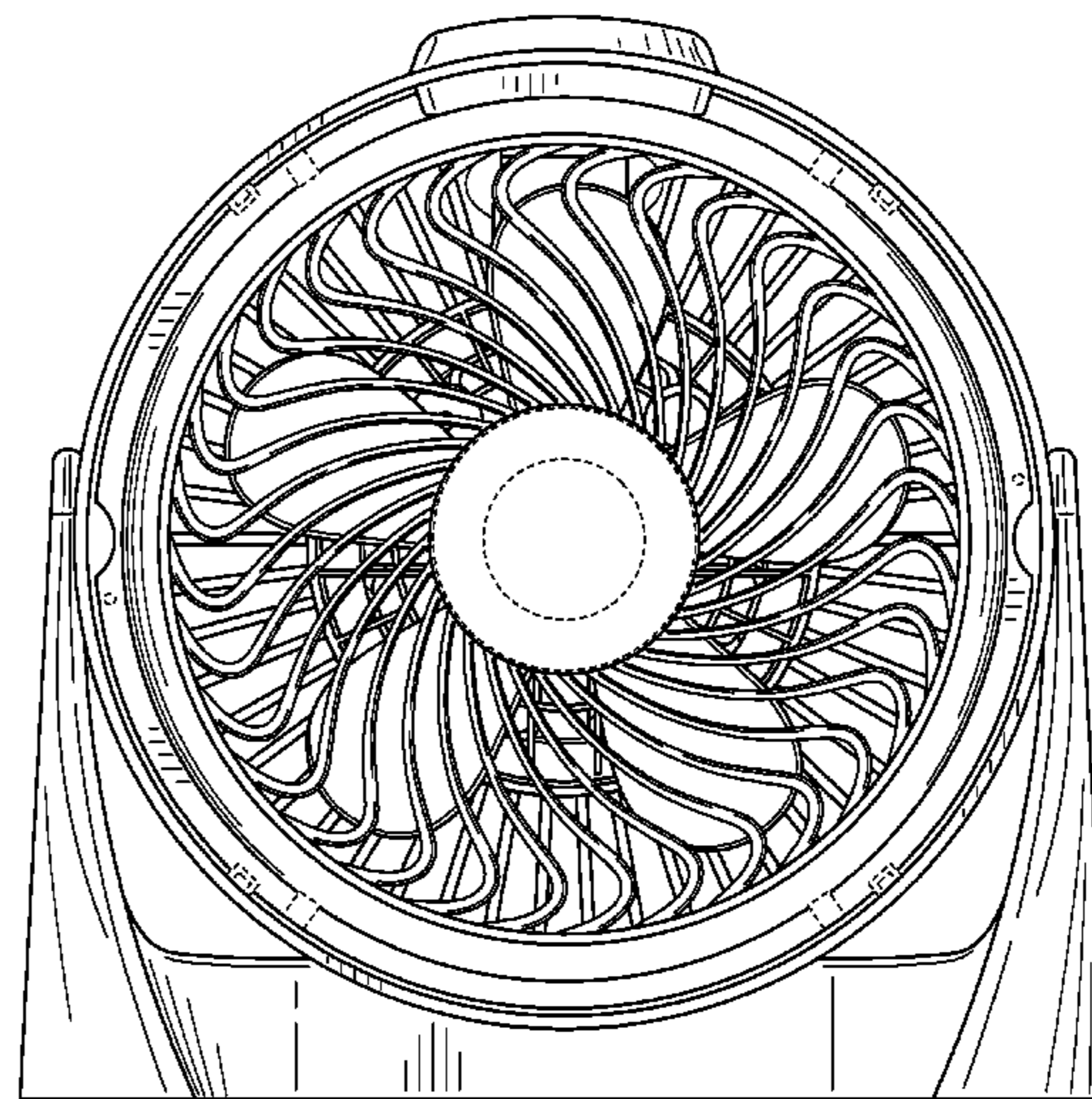
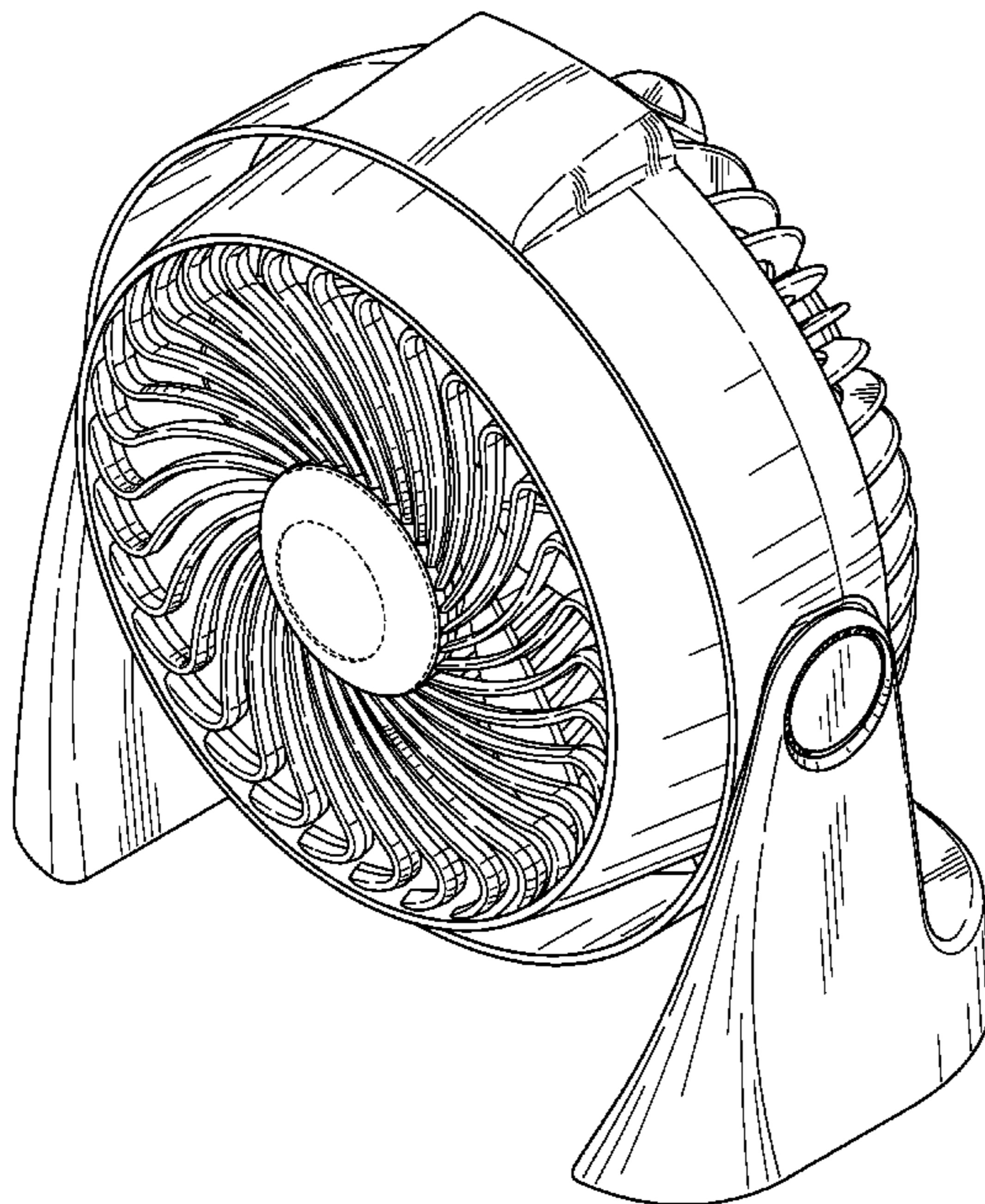
FIG. 3 is a side elevational view of the set of fan parts of FIG. 1 (opposite side is mirror image);

FIG. 4 is a rear elevational view of the set of fan parts of FIG. 1; and,

FIG. 5 is a top plan view of the set of fan parts of FIG. 1.

The broken line showing of portions of a set of fan parts is included for the purpose of illustrating environmental structure and forms no part of the claimed design.

1 Claim, 5 Drawing Sheets



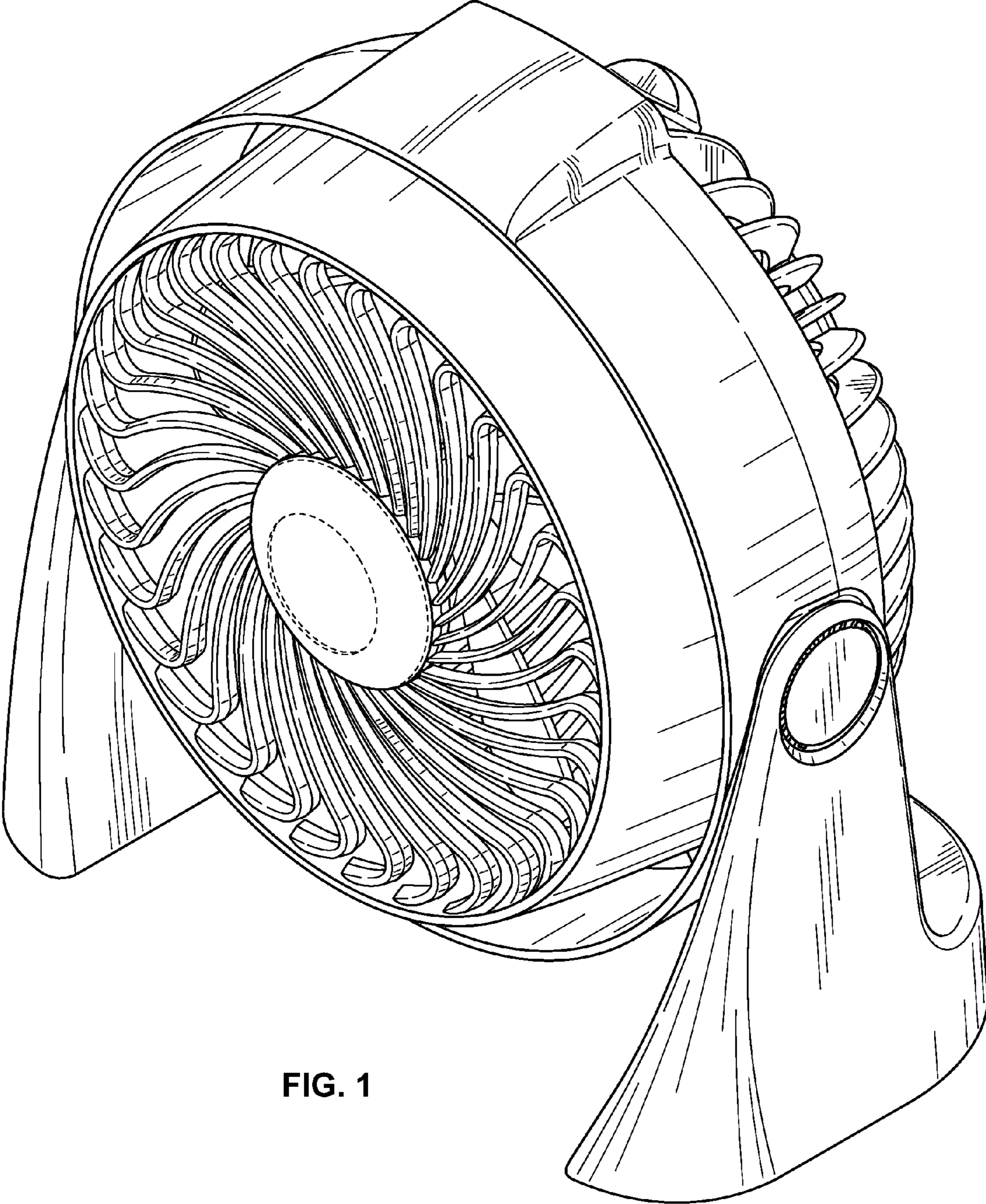


FIG. 1

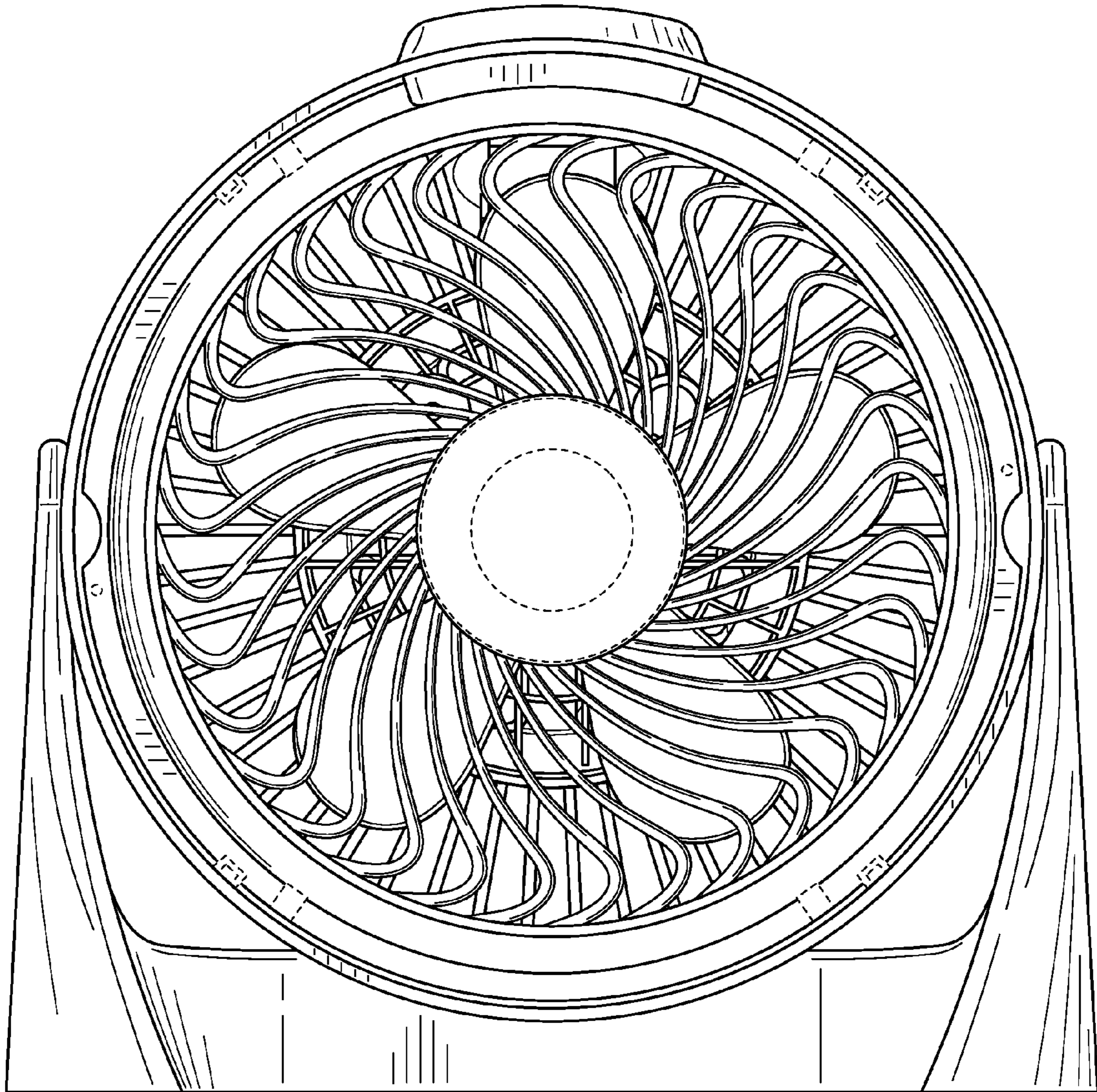


FIG. 2

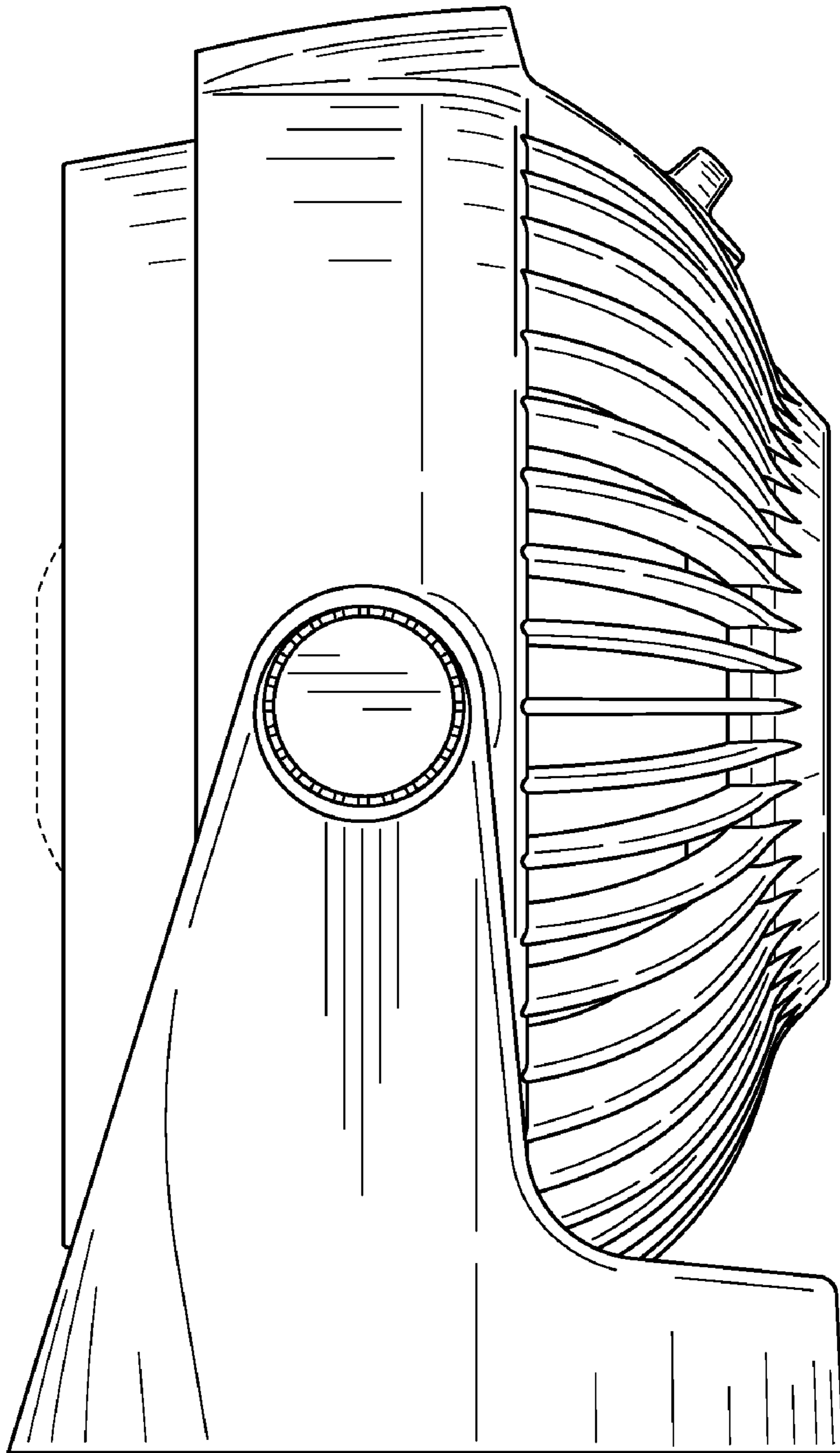


FIG. 3

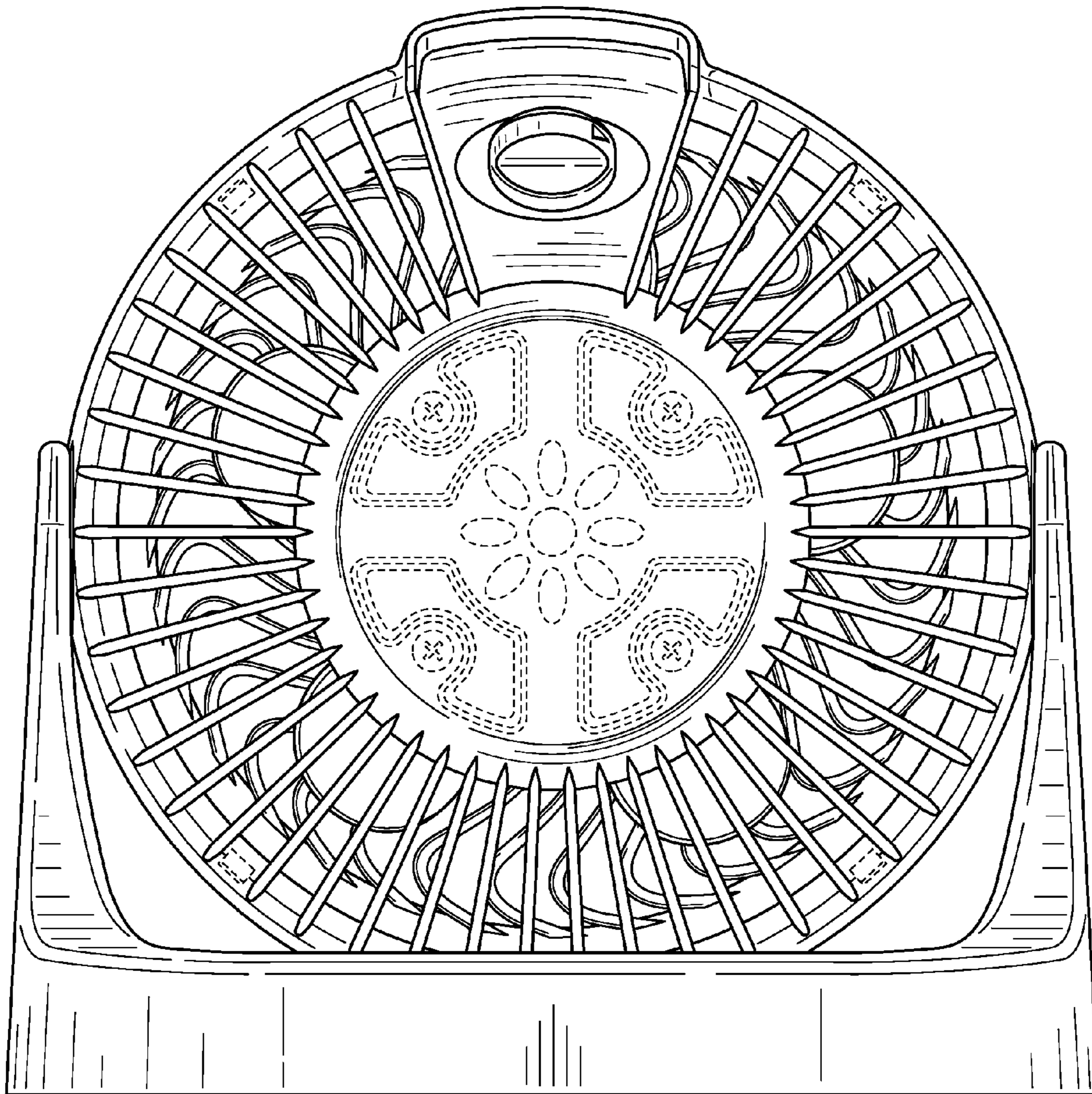


FIG. 4

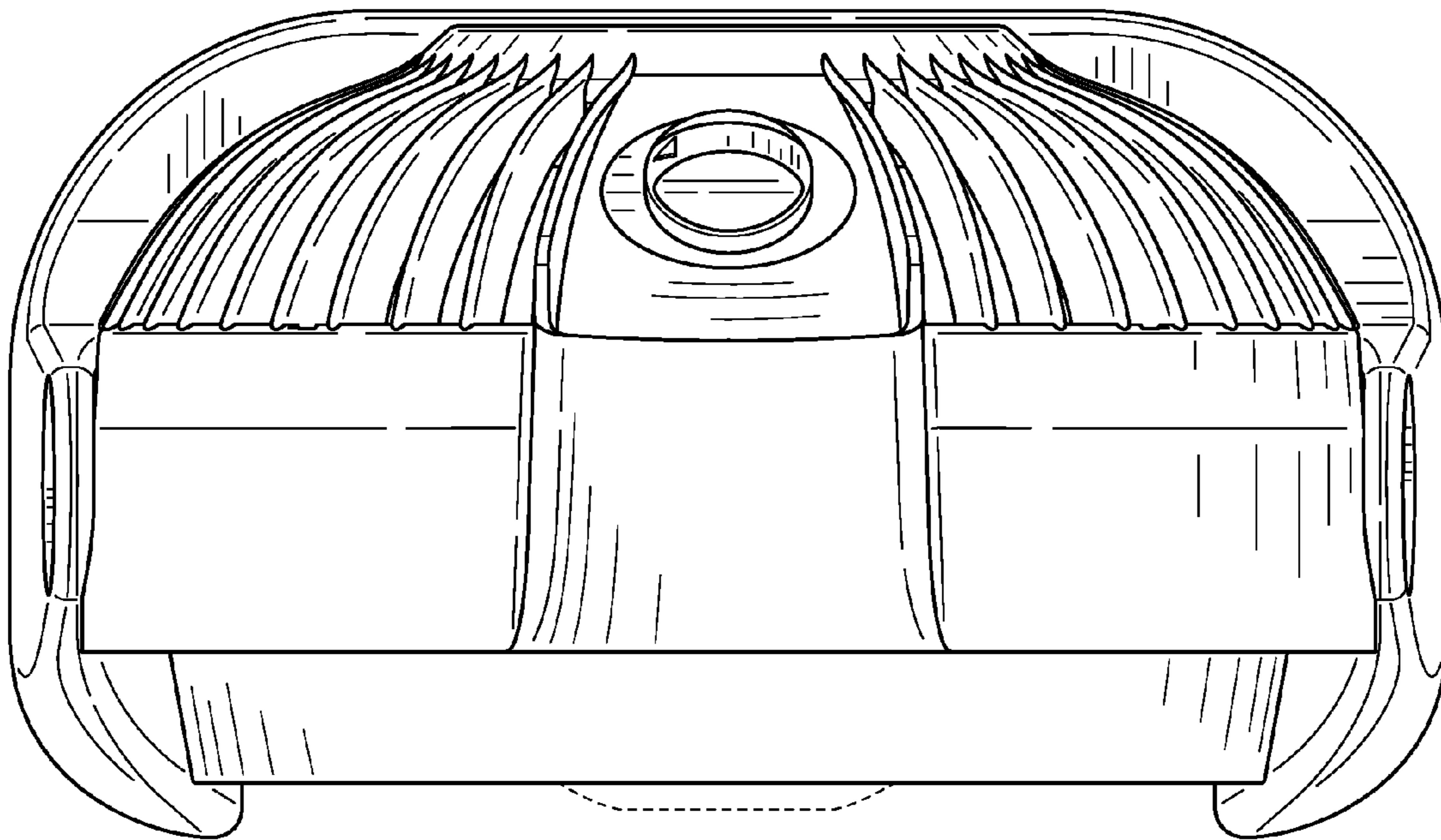


FIG. 5