



US00D621024S

(12) **United States Design Patent**
Orozco

(10) **Patent No.:** **US D621,024 S**

(45) **Date of Patent:** **** Aug. 3, 2010**

(54) **COMBINED CEILING FAN AND LIGHT**

D575,863 S 8/2008 Bucher

D576,265 S 9/2008 Bucher

(75) Inventor: **Sergio Orozco**, New York, NY (US)

(73) Assignee: **Chien Luen Industries Co., Ltd., Inc.**,
Oakland Park, FL (US)

(**) Term: **14 Years**

(21) Appl. No.: **29/357,405**

(22) Filed: **Mar. 11, 2010**

(51) **LOC (9) Cl.** **23-04**

(52) **U.S. Cl.** **D23/377; D26/59**

(58) **Field of Classification Search** D23/377,
D23/379, 385, 411, 413; 416/5; D26/72,
D26/59, 81-88

See application file for complete search history.

(56) **References Cited**

U.S. PATENT DOCUMENTS

D434,845 S	*	12/2000	Gajewski	D23/413
D484,233 S		12/2003	Bucher		
D485,345 S		1/2004	Bucher		
D485,346 S		1/2004	Bucher		
D485,347 S		1/2004	Bucher		
D510,992 S		10/2005	Bucher		
D527,093 S		8/2006	Holmes		
D539,894 S		4/2007	Bucher		
D540,460 S		4/2007	Pickett		
D541,466 S		4/2007	Bucher		
D547,433 S		7/2007	Wang		
D553,240 S		10/2007	Badarello		
D553,731 S		10/2007	Bucher		
D554,252 S		10/2007	Bucher		
D555,779 S		11/2007	Bucher		
D556,881 S		12/2007	Bucher		
D563,541 S		3/2008	Bucher		
D564,652 S		3/2008	Pan		
D566,258 S		4/2008	Bucher		
D566,259 S		4/2008	Bucher		
D567,357 S		4/2008	Curtin		
D567,359 S		4/2008	Teiber		
D568,982 S		5/2008	Hidalgo		
D572,814 S		7/2008	Bucher		

(Continued)

Primary Examiner—Lisa P Lichtenstein

(74) *Attorney, Agent, or Firm*—Brian S. Steinberger; Law
Offices of Brian S. Steinberger, P.A.

(57) **CLAIM**

The ornamental design for a combined ceiling fan and light,
as shown and described.

DESCRIPTION

FIG. 1 is a lower front side perspective view of the ceiling fan and light design.

FIG. 2 is an upper front side perspective view of the ceiling fan and light design of FIG. 1.

FIG. 3 is a front side view of the ceiling fan and light design of FIG. 1.

FIG. 4 is a rear side view of the ceiling fan and light design of FIG. 1.

FIG. 5 is a left side view of the ceiling fan and light design of FIG. 1.

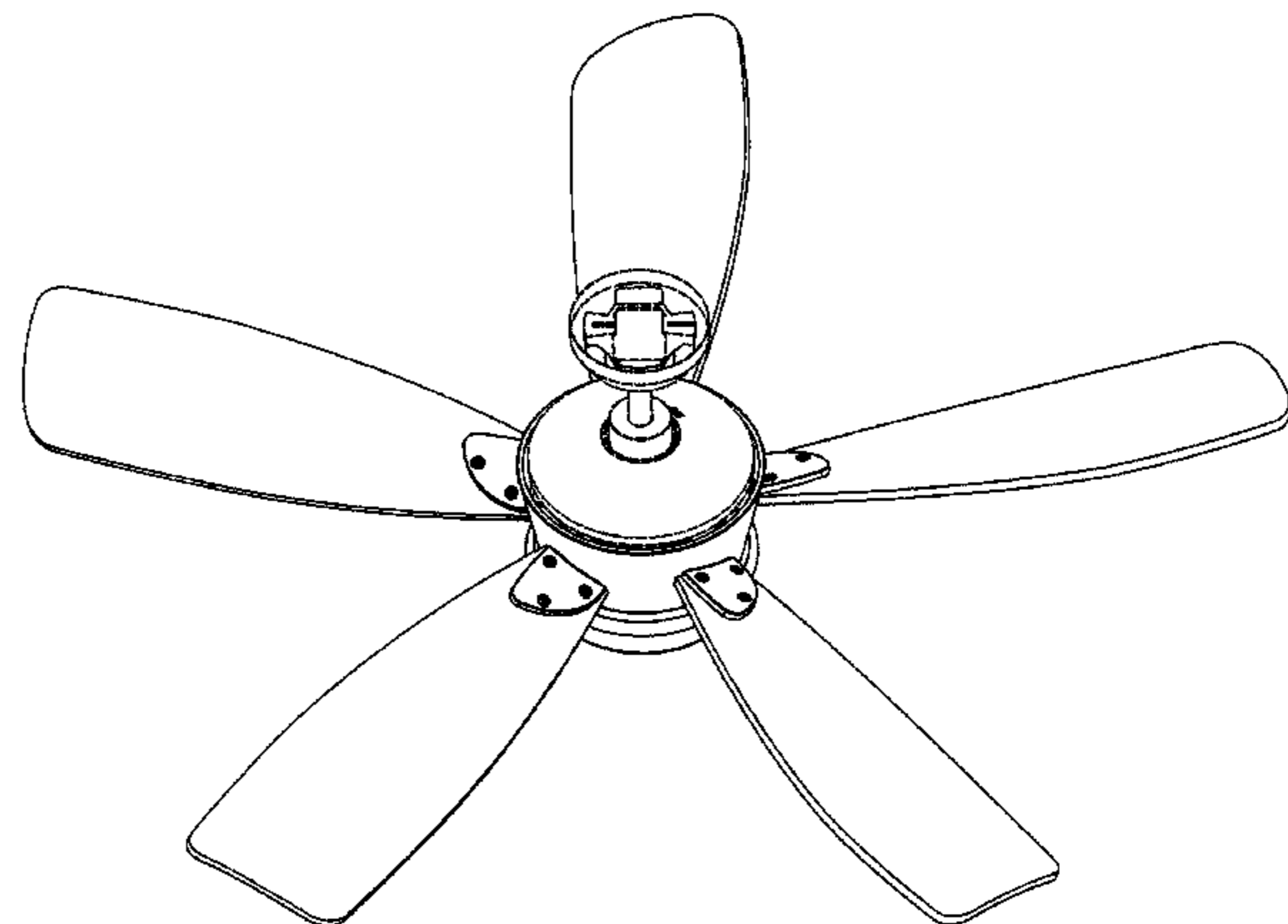
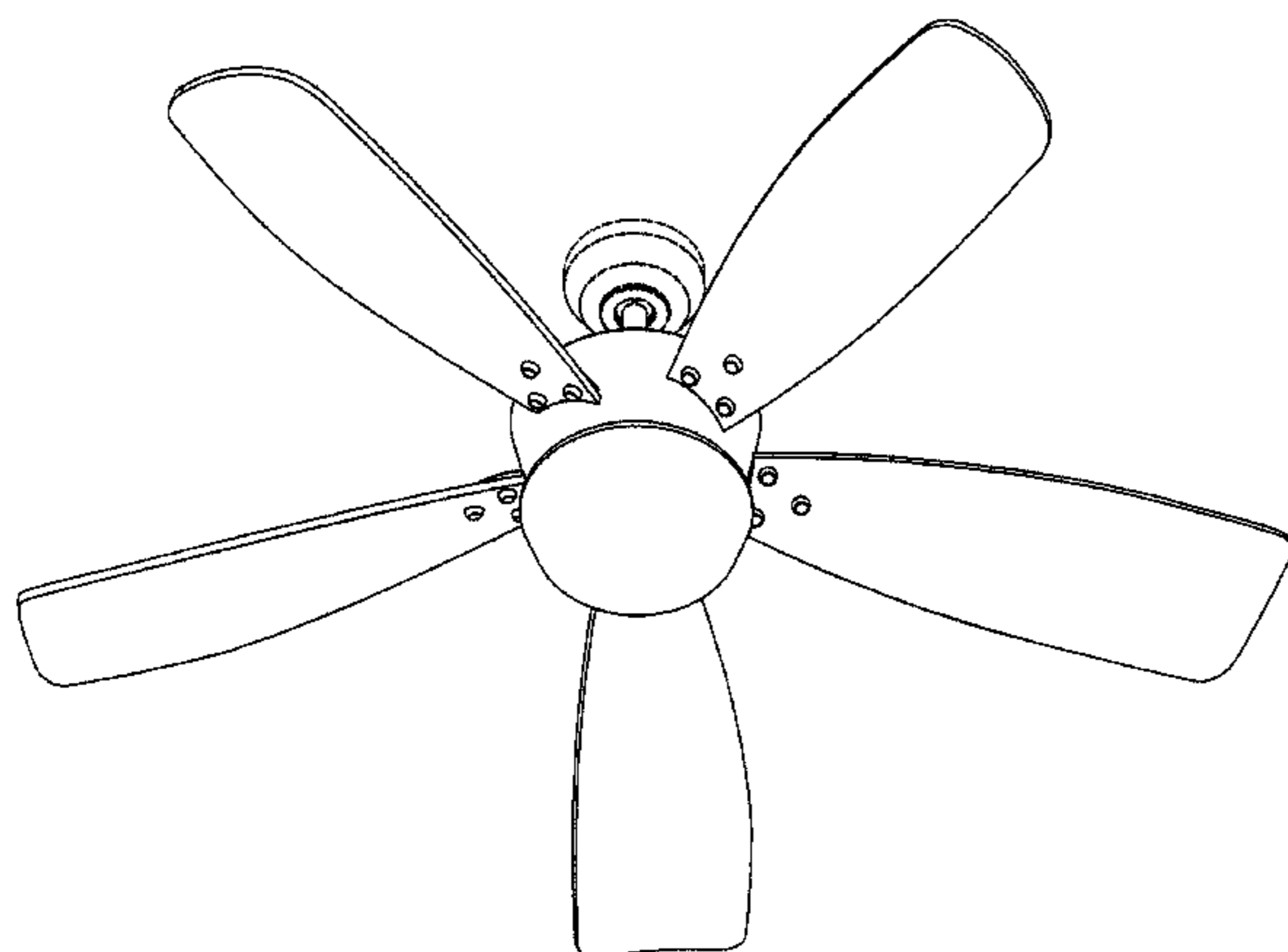
FIG. 6 is a right side view of the ceiling fan and light design of FIG. 1.

FIG. 7 is a bottom view of the ceiling fan and light design of FIG. 1; and,

FIG. 8 is a top view of the ceiling fan and light design of FIG. 1.

The broken line showing of the canopy, down rod, and top of the motor housing and fasteners is included for the purpose of illustrating environmental structure and forms no part of the claimed design.

1 Claim, 8 Drawing Sheets



US D621,024 S

Page 2

U.S. PATENT DOCUMENTS

D576,720 S	9/2008	Bucher	D597,654 S	8/2009	Orozco	
D577,116 S	9/2008	Orozco	D598,090 S	8/2009	Pittmen	
D580,045 S	11/2008	Orozco	D598,091 S	8/2009	Orozco	
D583,923 S	12/2008	Bucher	D598,997 S *	8/2009	Klausing et al. D23/377
D584,396 S	1/2009	Bucher	D599,458 S	9/2009	Love	
D586,452 S	2/2009	Orozco	D599,467 S	9/2009	Bucher	
D586,902 S	2/2009	Orozco	D604,405 S *	11/2009	Searle D23/377
D590,489 S	4/2009	Bucher	D607,096 S	12/2009	Searle	
			D611,136 S *	3/2010	Orozco D23/377

* cited by examiner

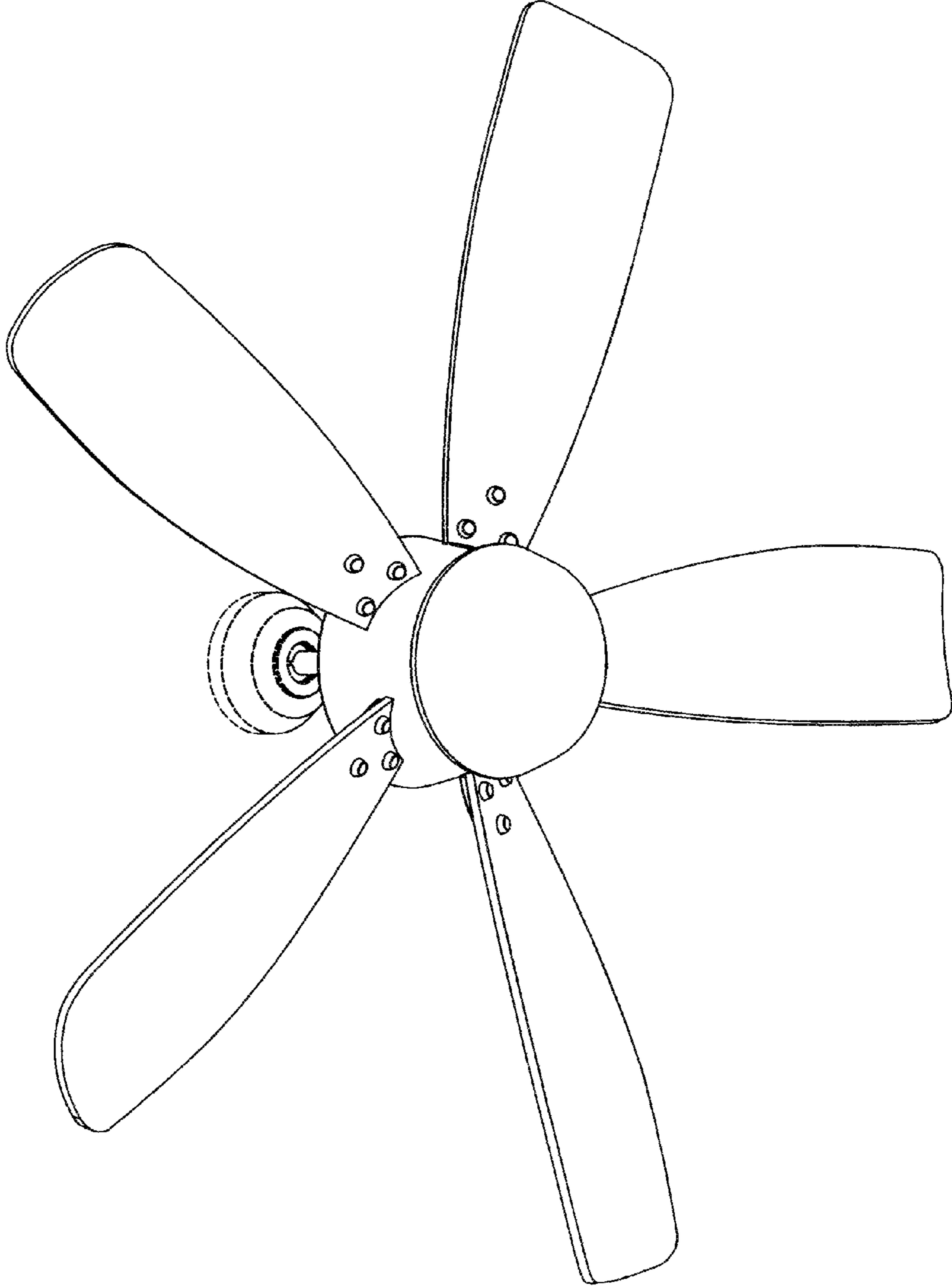


FIG. 1

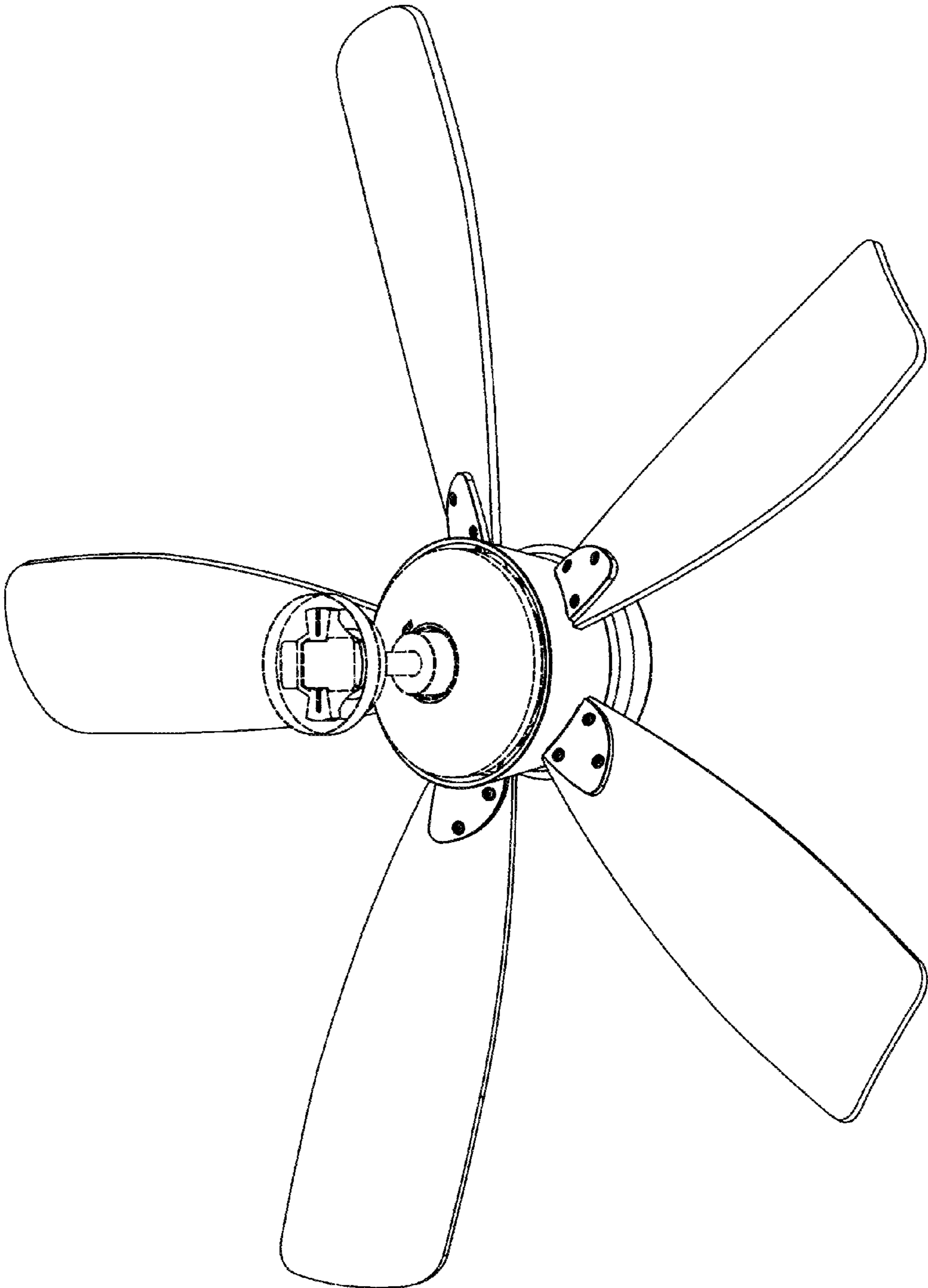


FIG. 2

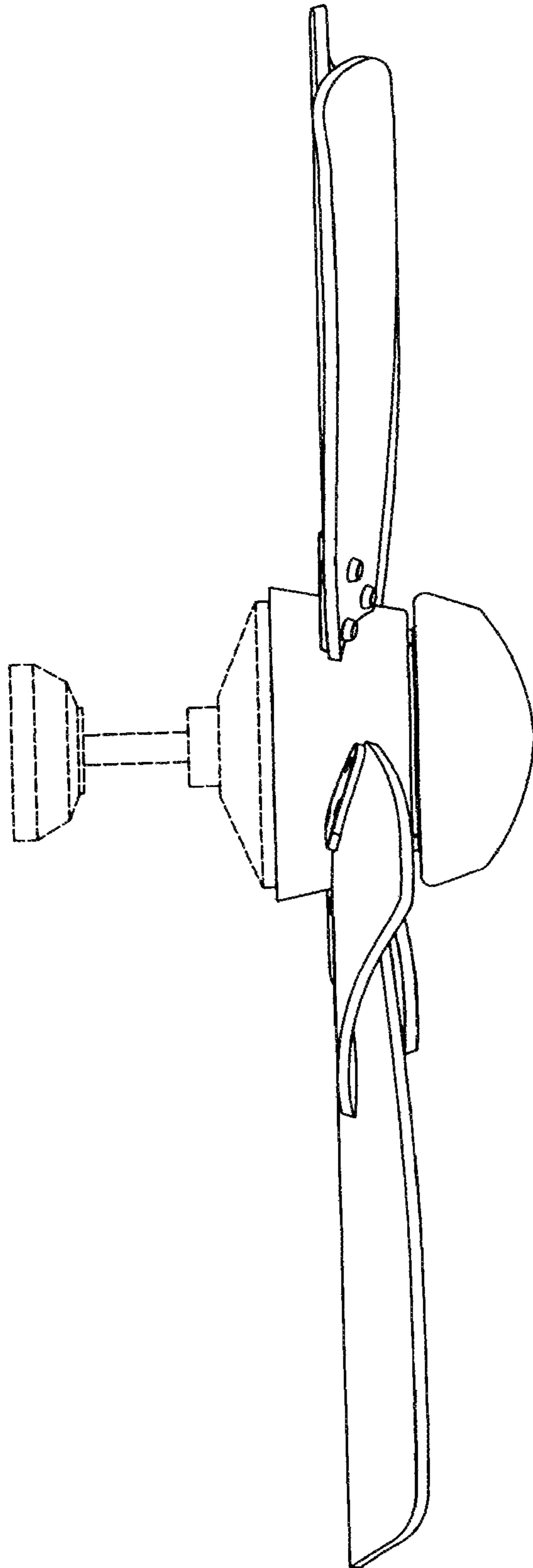


FIG. 3

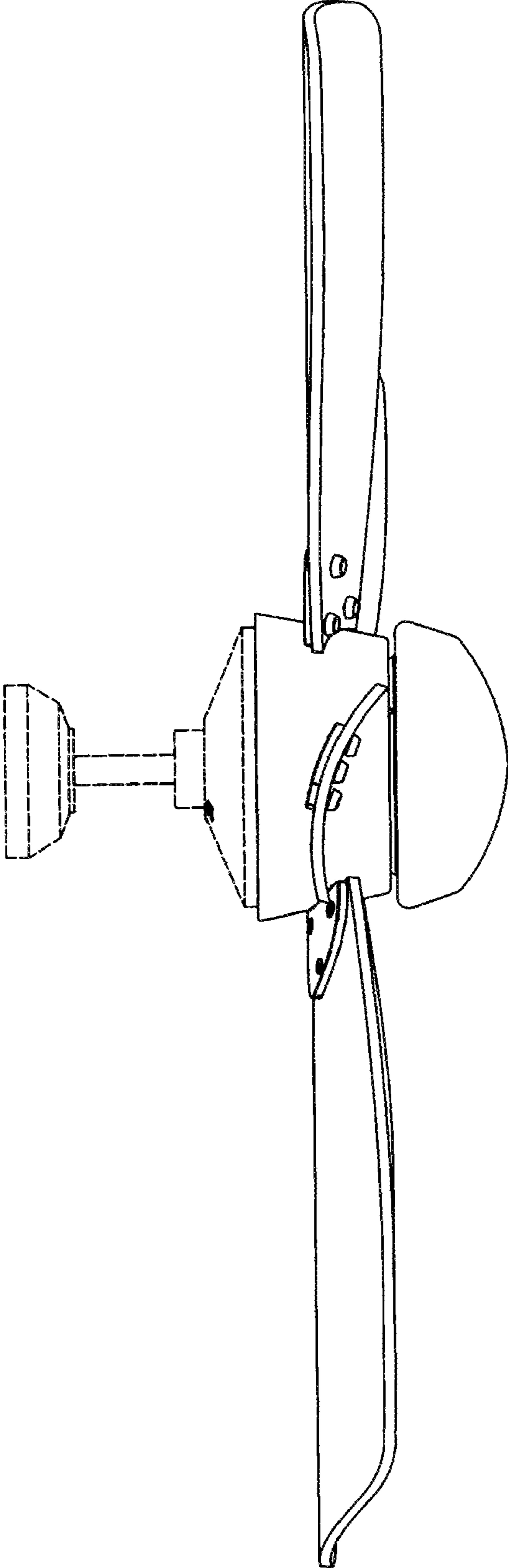


FIG. 4

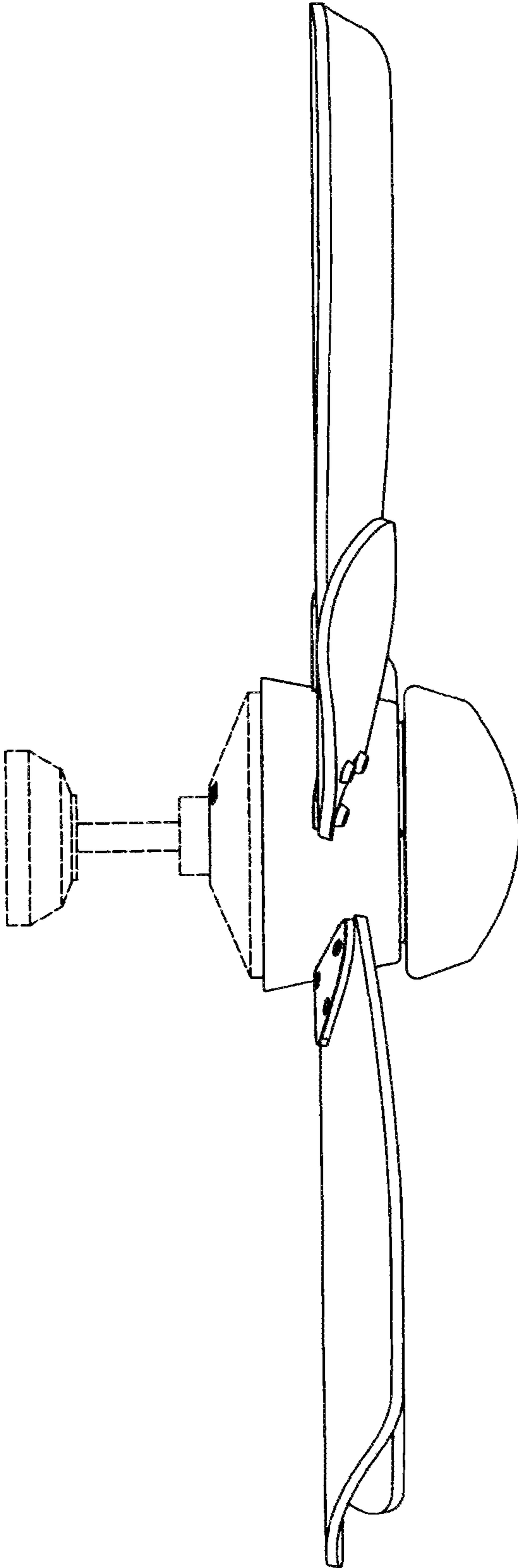


FIG. 5

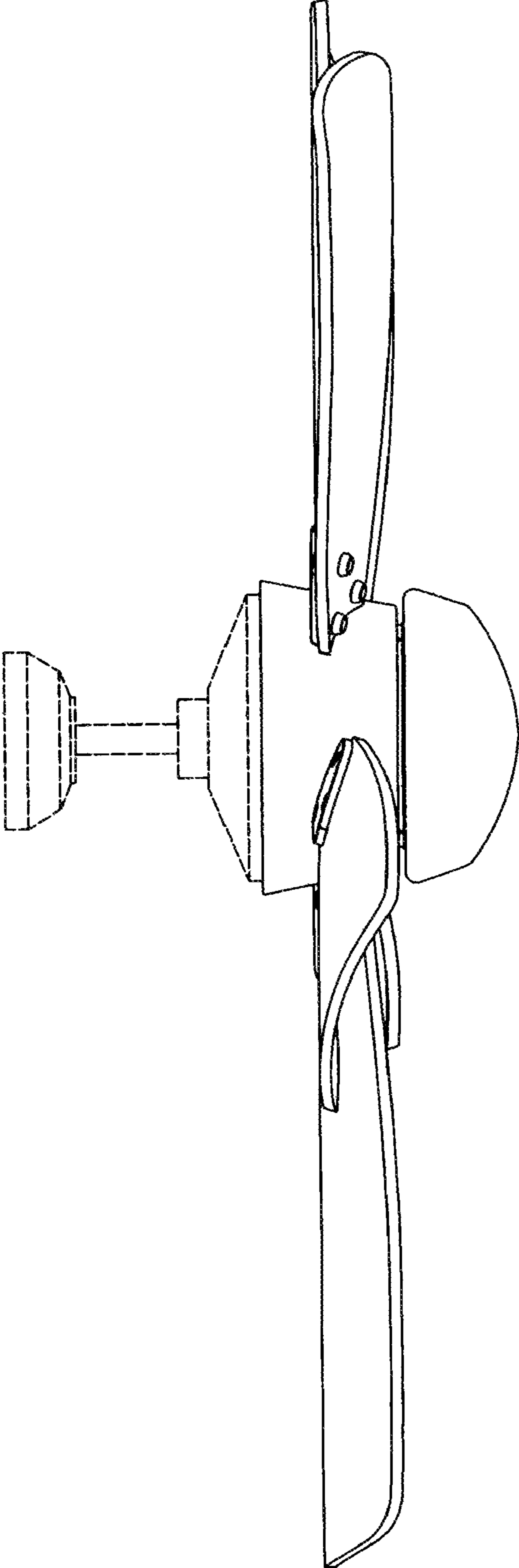


FIG. 6

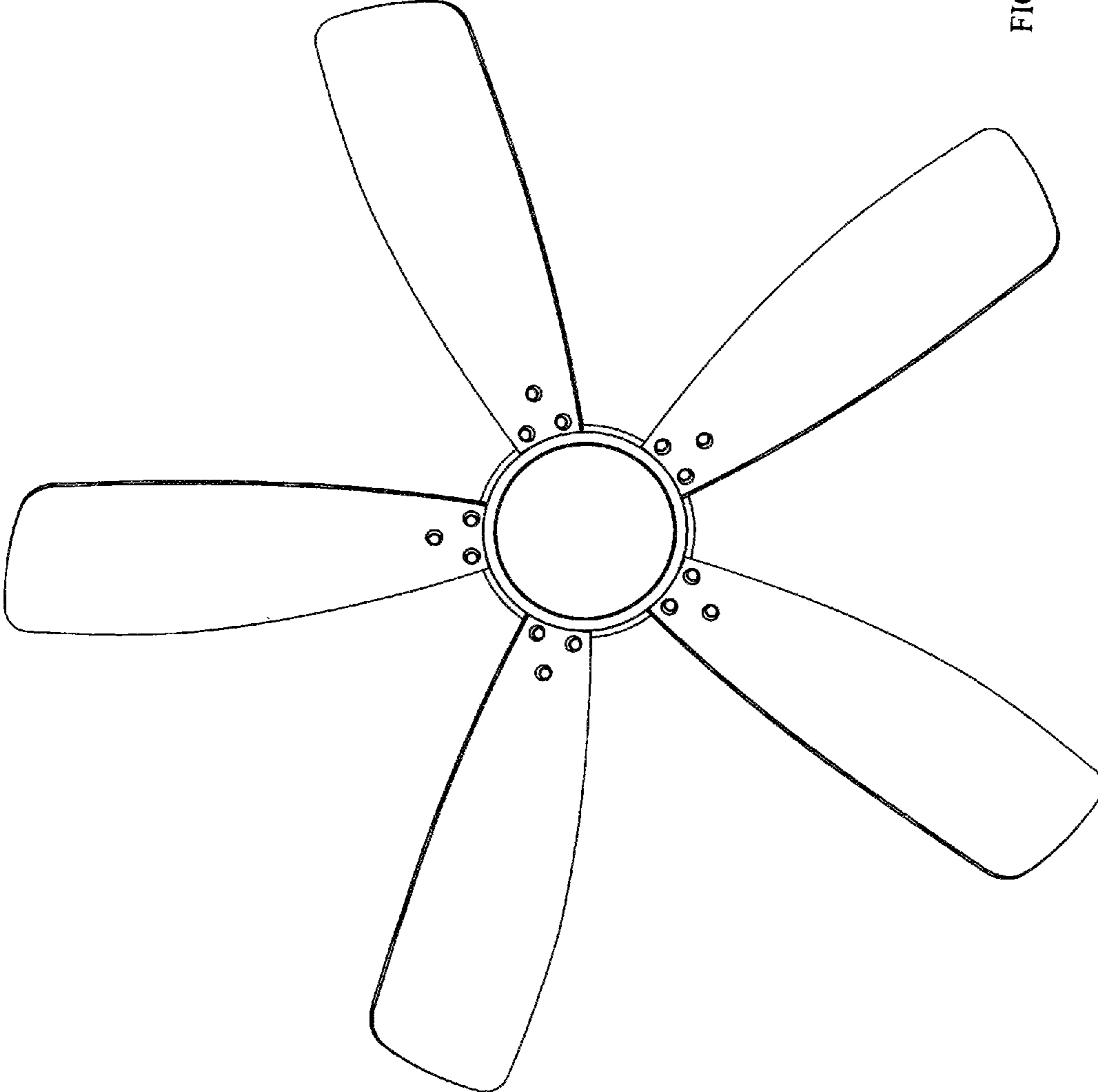


FIG. 7

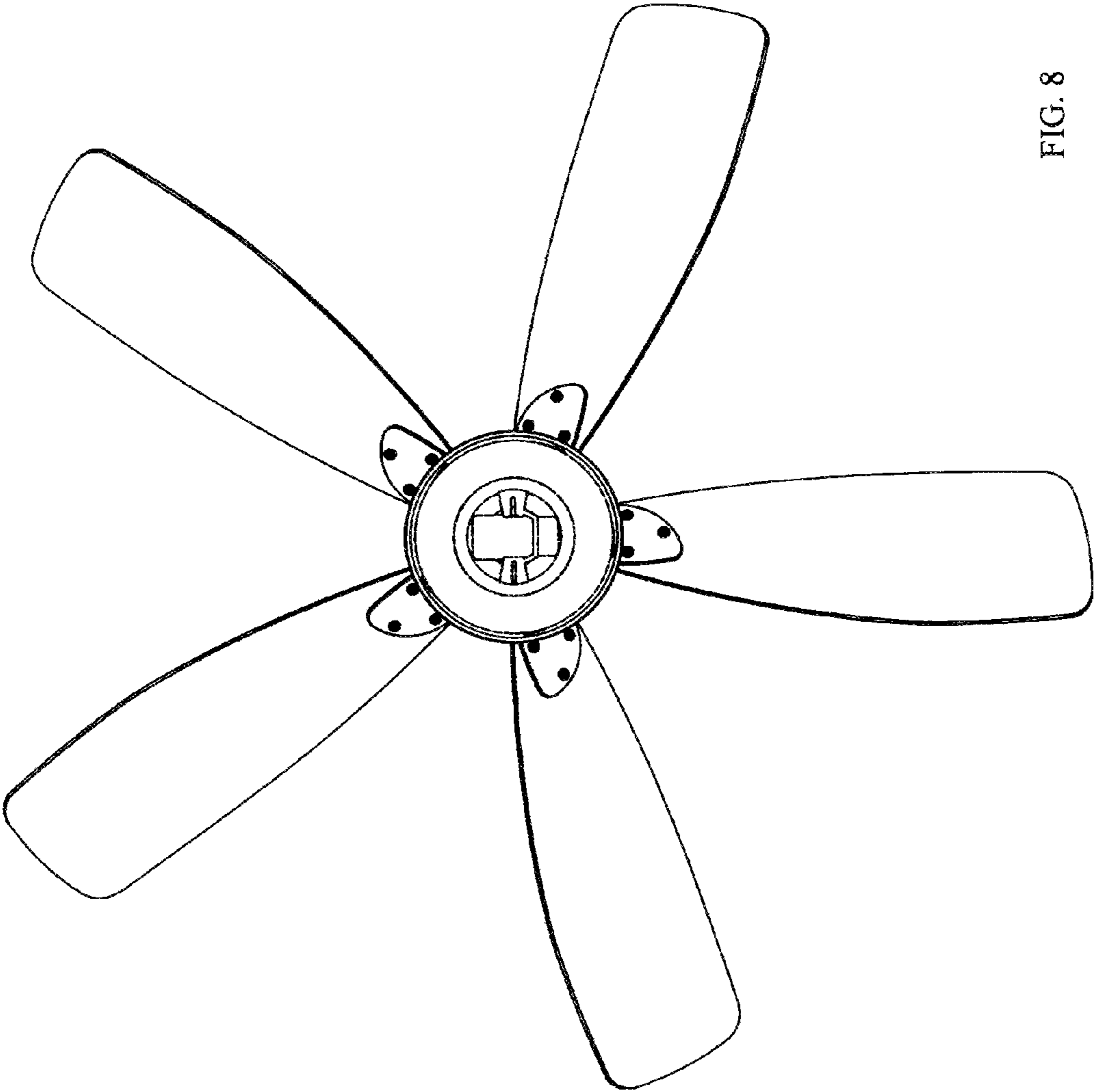


FIG. 8