



US00D621022S

(12) **United States Design Patent**
Funnell

(10) **Patent No.:** **US D621,022 S**

(45) **Date of Patent:** **** Aug. 3, 2010**

(54) **HOOD**

(75) Inventor: **Richard Funnell**, New Bern, NC (US)

(73) Assignee: **BSH Home Appliances Corporation**,
Huntington Beach, CA (US)

(**) Term: **14 Years**

(21) Appl. No.: **29/350,905**

(22) Filed: **Nov. 25, 2009**

(51) **LOC (9) Cl.** **23-04**

(52) **U.S. Cl.** **D23/372**

(58) **Field of Classification Search** D23/372,
D23/371; 126/299 R, 299 D

See application file for complete search history.

(56) **References Cited**

U.S. PATENT DOCUMENTS

- D444,221 S * 6/2001 Strand et al. D23/372
- D516,695 S * 3/2006 Vetter D23/372
- D535,009 S * 1/2007 Sinur et al. D23/372

* cited by examiner

Primary Examiner—Lisa P Lichtenstein

(74) *Attorney, Agent, or Firm*—James E. Howard; Andre Pallapies

(57) **CLAIM**

The ornamental design for a hood, as shown and described.

DESCRIPTION

FIG. 1 is a front perspective view from the top, right side of a hood according to my design;

FIG. 2 is a front view thereof from a slight perspective, with the rear view thereof being identical thereto with the exception of the user interface, which is not included in the rear view;

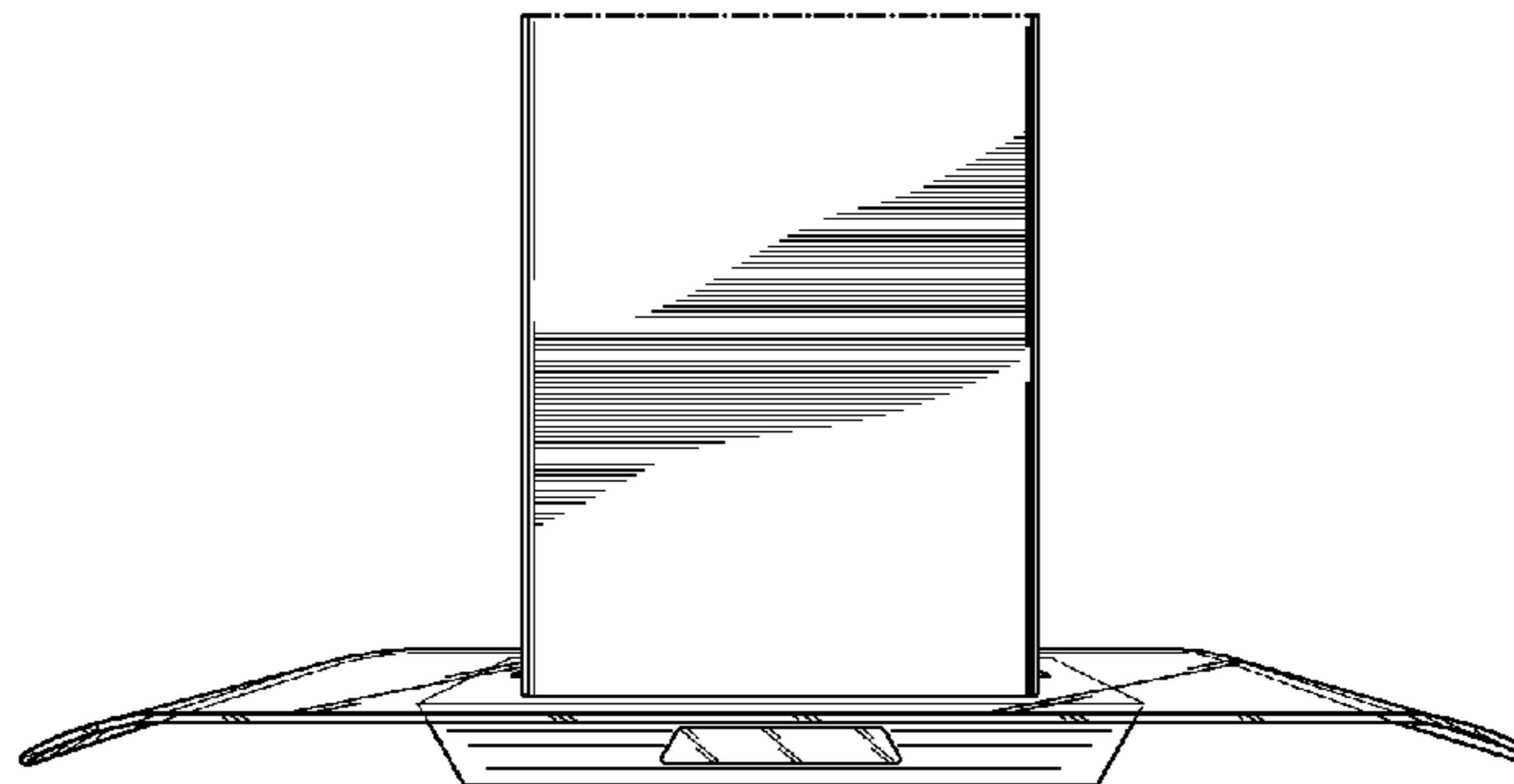
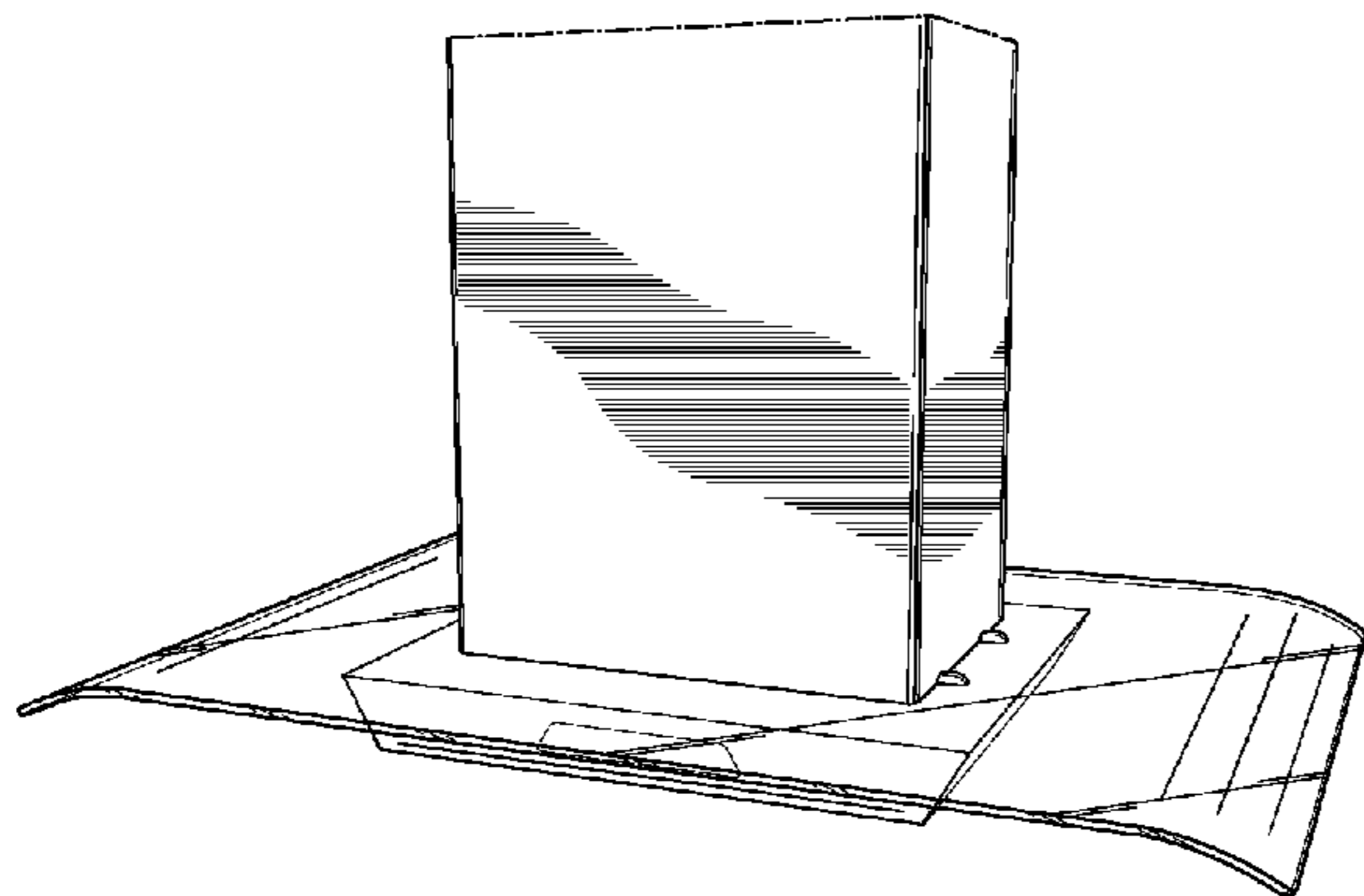
FIG. 3 is a bottom perspective view thereof;

FIG. 4 is a right side view thereof, with the left side view being a mirror image thereof; and,

FIG. 5 is a bottom view thereof.

The broken lines indicate that the exhaust portion is of indefinite length and do not form any part of the claimed design.

1 Claim, 5 Drawing Sheets



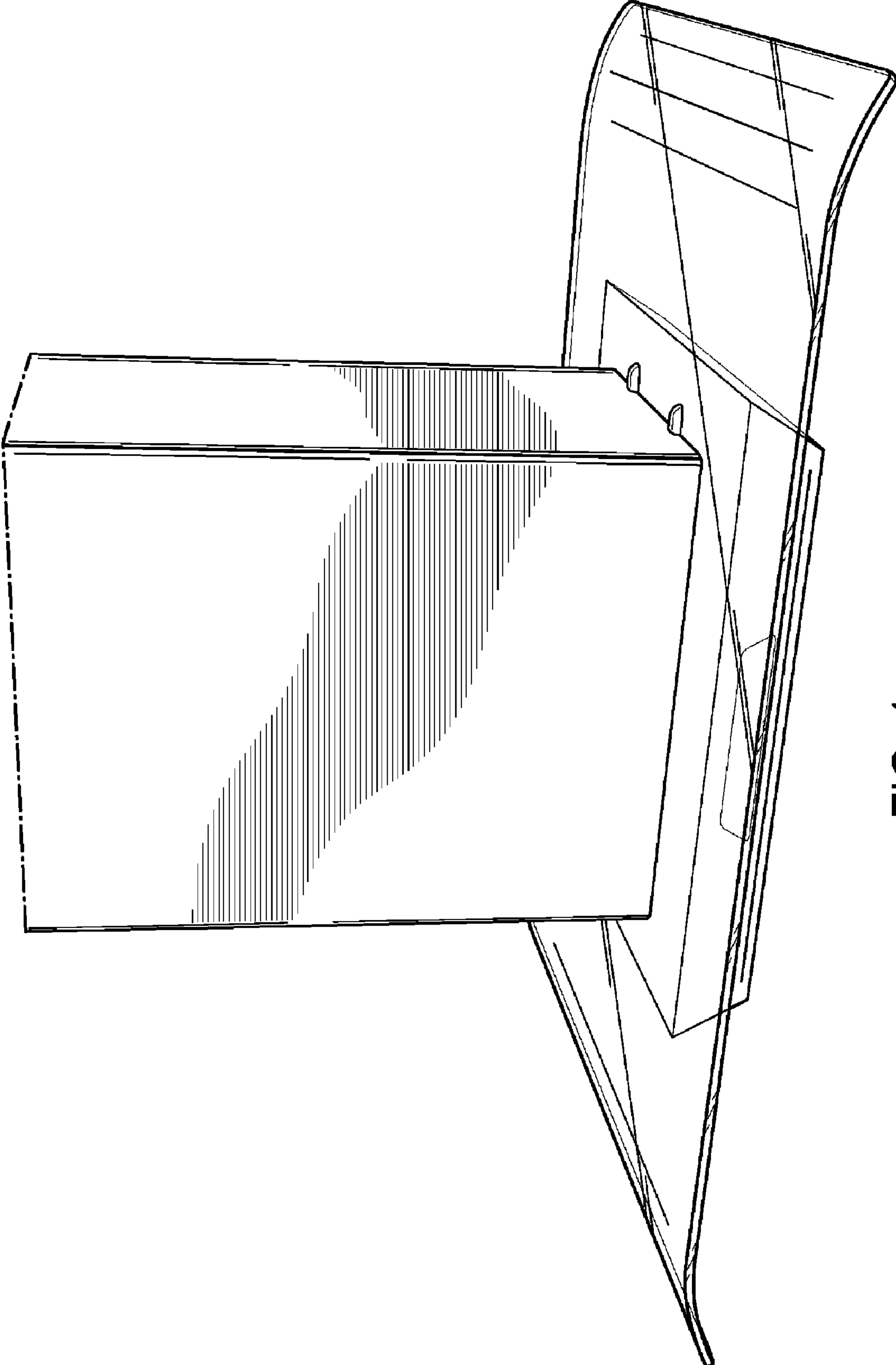


FIG. 1

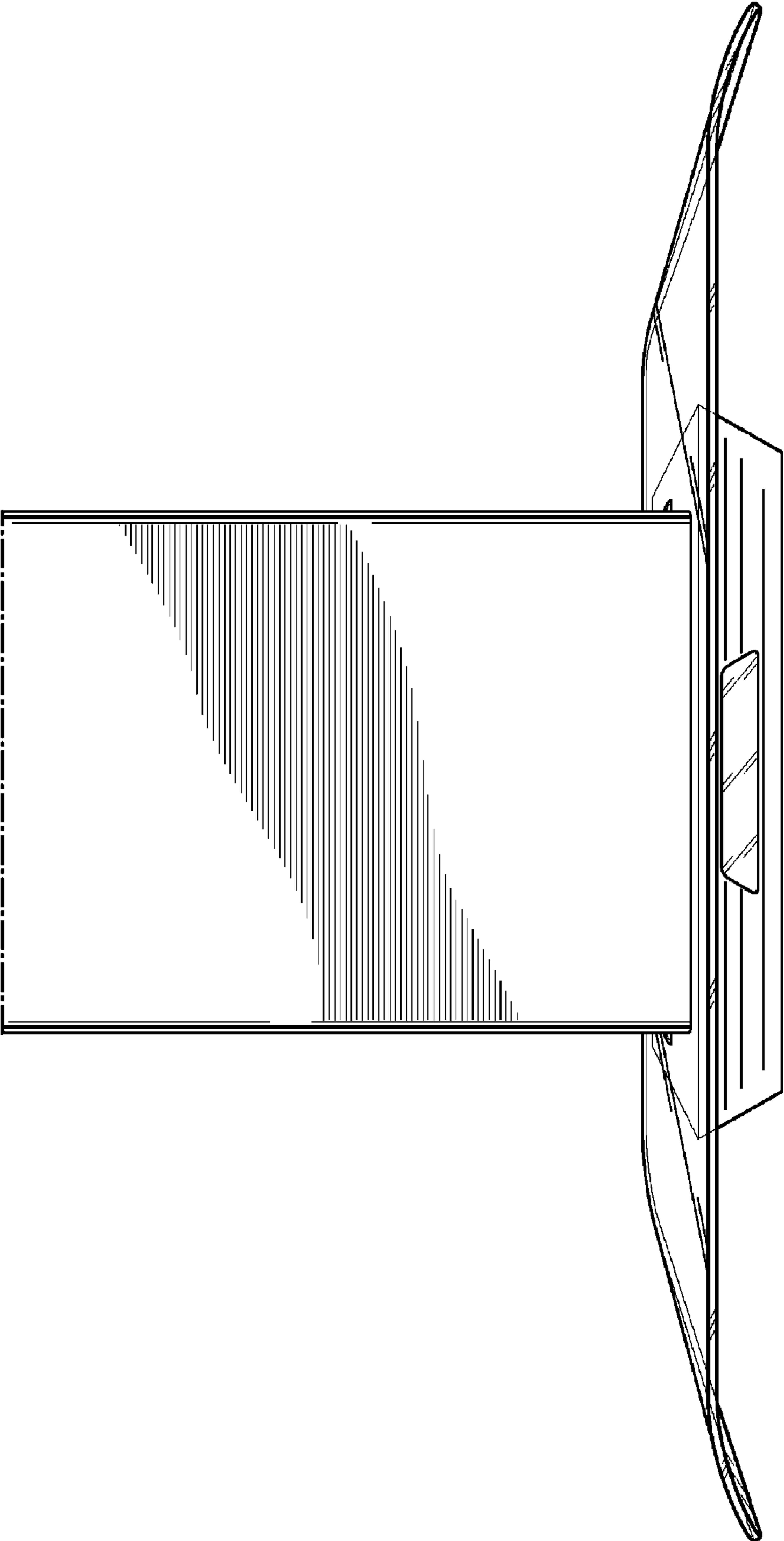


FIG. 2

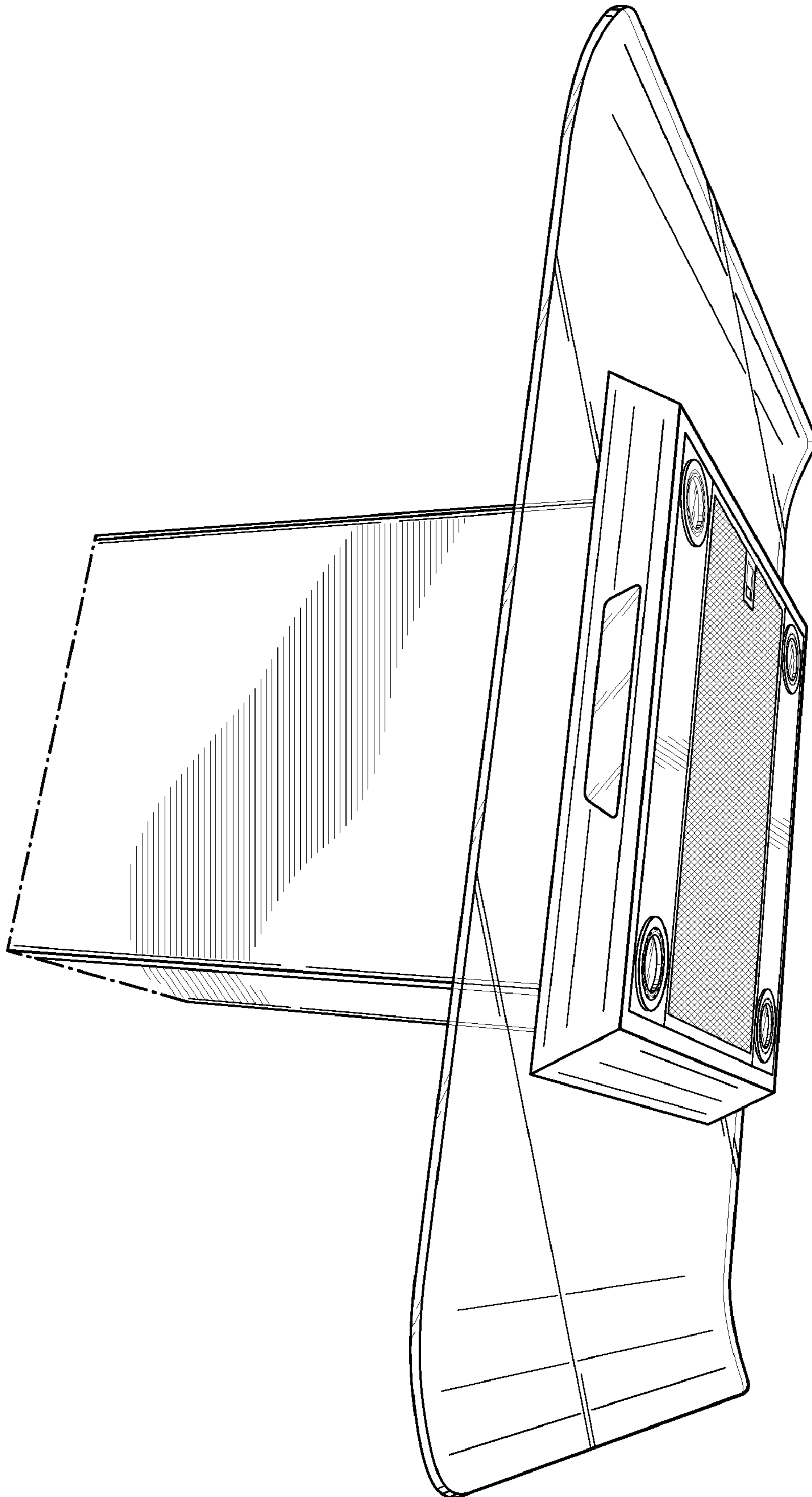


FIG. 3

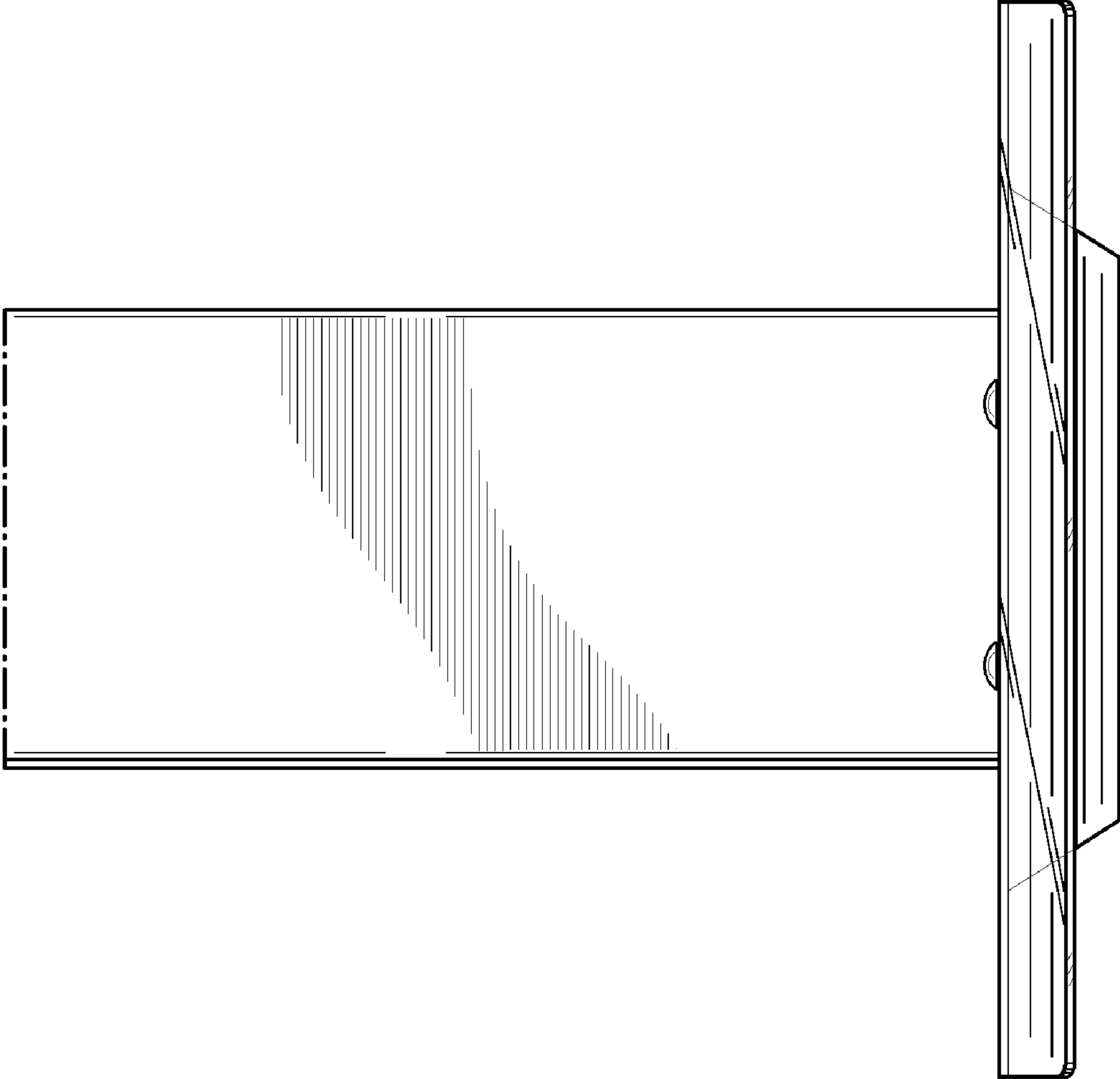


FIG. 4

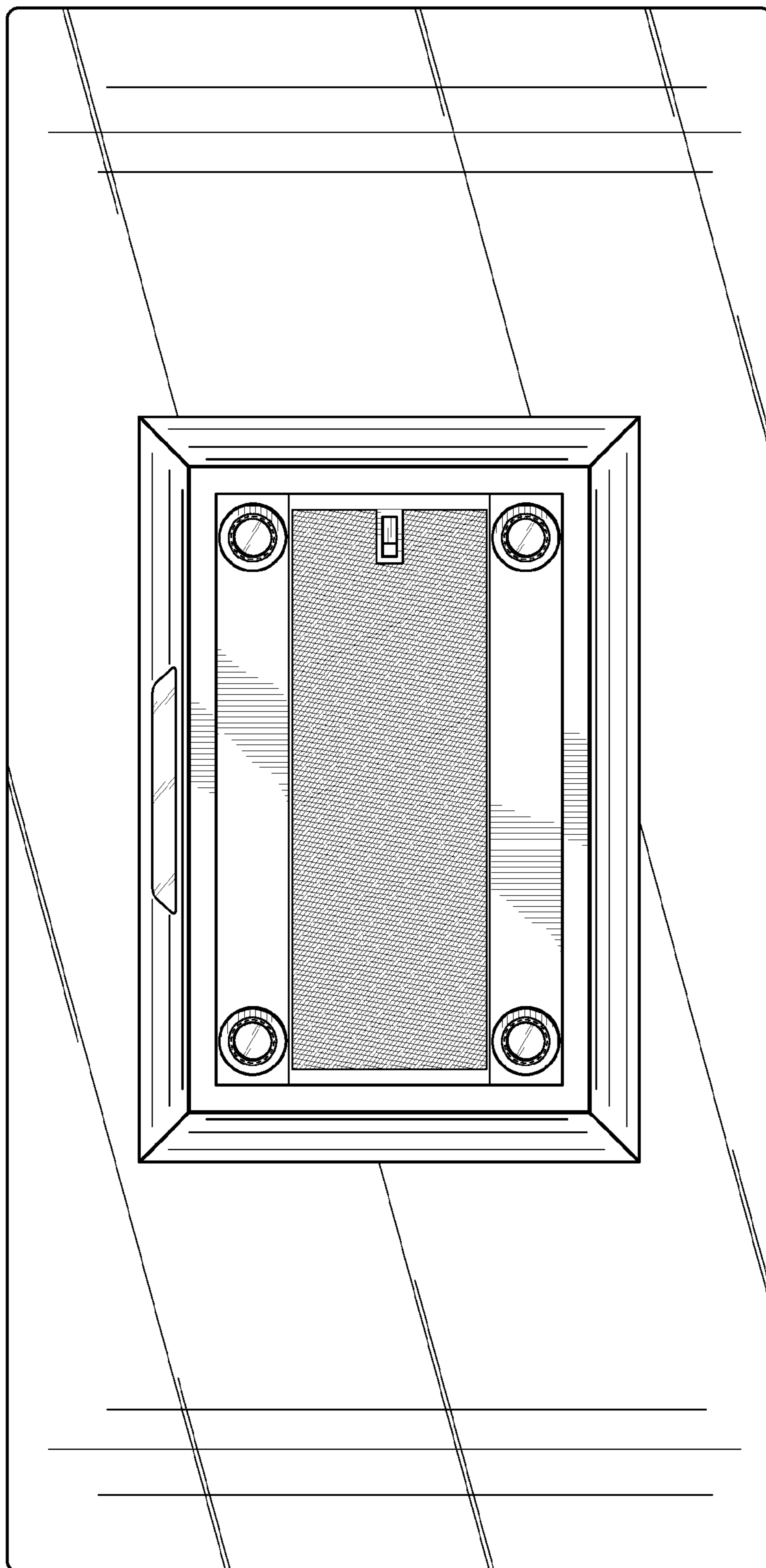


FIG. 5