

US00D621021S

(12) **United States Design Patent**
Koenig et al.

(10) **Patent No.:** **US D621,021 S**

(45) **Date of Patent:** **** Aug. 3, 2010**

(54) **AIR FRESHENING DEVICE**

(75) Inventors: **John William Koenig**, Cincinnati, OH (US); **Dana Paul Gruenbacher**, Fairfield, OH (US); **Bryan Gabriel Comstock**, Mason, OH (US); **Thomas George Crowe**, Lawrenceburg, IN (US); **Ryan Patrick Dullea**, Cincinnati, OH (US); **Walter Sordo**, Trento (IT); **Stefano Baldessari**, Trento (IT); **Rainer Bernhard Teufel**, Worthington, OH (US); **Richard Lee Lane**, Columbus, OH (US)

(73) Assignee: **The Procter & Gamble Company**, Cincinnati, OH (US)

(**) Term: **14 Years**

(21) Appl. No.: **29/351,724**

(22) Filed: **Dec. 10, 2009**

(51) **LOC (9) Cl.** **28-99**

(52) **U.S. Cl.** **D23/368**

(58) **Field of Classification Search** D23/355-369; D28/5, 6; 261/DIG. 17, DIG. 42, DIG. 65, 261/DIG. 88, DIG. 89; 392/386, 390, 391, 392/392, 394, 395, 389, 393; 239/34, 35, 239/43-45, 53, 56, 57, 60, 326, 42, 50, 55

See application file for complete search history.

(56) **References Cited**

U.S. PATENT DOCUMENTS

D334,975 S *	4/1993	Bunce et al.	D23/366
5,478,505 A *	12/1995	McElfresh et al.	261/30
5,527,493 A *	6/1996	McElfresh et al.	261/30
D373,626 S *	9/1996	Dente et al.	D23/366
D403,420 S *	12/1998	Vullion	D23/367
D424,677 S *	5/2000	Chen	D23/366
6,148,143 A *	11/2000	Steinel, Jr.	392/390
D489,123 S *	4/2004	Basaganas Millan	D23/366
D491,257 S *	6/2004	Picken, Jr.	D23/366
D532,893 S *	11/2006	Wu	D23/366

D544,594 S *	6/2007	Zobebe	D23/366
D544,953 S *	6/2007	Kee	D23/368
D550,345 S *	9/2007	Weggelaar	D23/366
D551,333 S *	9/2007	Wu	D23/366
D553,233 S *	10/2007	Hatch et al.	D23/366
D555,778 S *	11/2007	Fellows et al.	D23/366
D561,319 S *	2/2008	Weggelaar	D23/366
D565,164 S *	3/2008	Duston et al.	D23/366
D585,129 S *	1/2009	Huang	D23/366

OTHER PUBLICATIONS

Refresh your car! Odor Eliminating auto vent stick, HandStands, 675 W 14800, S Bluffdale, UT 84065.

Refresh your car! Odor Eliminating scented oil, HandStands, 675 W 14800, S Bluffdale, UT 84065.

Car-ma Aromatherapy vent stick, HandStands, 675 W 14800, S Bluffdale, UT 84065.

Auto expressions odor Out vent odor Neutralizer, distributed by Sopus Products, 609 Science Drive, Moorpark, CA 93065.

Refresh your day—Air Freshners for your home, car, and office. <http://www.refreshyourday.com/products.php> HandStands, 675 W 14800, S Bluffdale, UT 84065.

Autorexpressions air care vent-it vent stix, <http://www.autoexpressions.com/air-care/vent-it/vent-stix/cherry> Sopus Products, 609 Science Drive, Moorpark, CA 93065.

Scentportable Clip & Go Fragrance Unit, Slatkin & Co., 610 Broadway Ste 4, New York, NY 10012.

Off! Clip-On Mosquito Repellent, <http://offprotects.com/clip-on-mosquito-repellent/> SC Johnson, 1525 Howe Street, Racine, Wisconsin 53403-5011.

U.S. Appl. No. 29/355,934, filed Feb. 17, 2010, Koenig et al.

* cited by examiner

Primary Examiner—Sandra Snapp

(74) *Attorney, Agent, or Firm*—Julia A. Glazer; Leonard W. Lewis; Steven W. Miller

(57) **CLAIM**

The ornamental design for an air freshening device, as shown and described.

DESCRIPTION

FIG. 1 is a perspective view of a first embodiment of an air freshening devices having a front dome and the back element in a downward position.

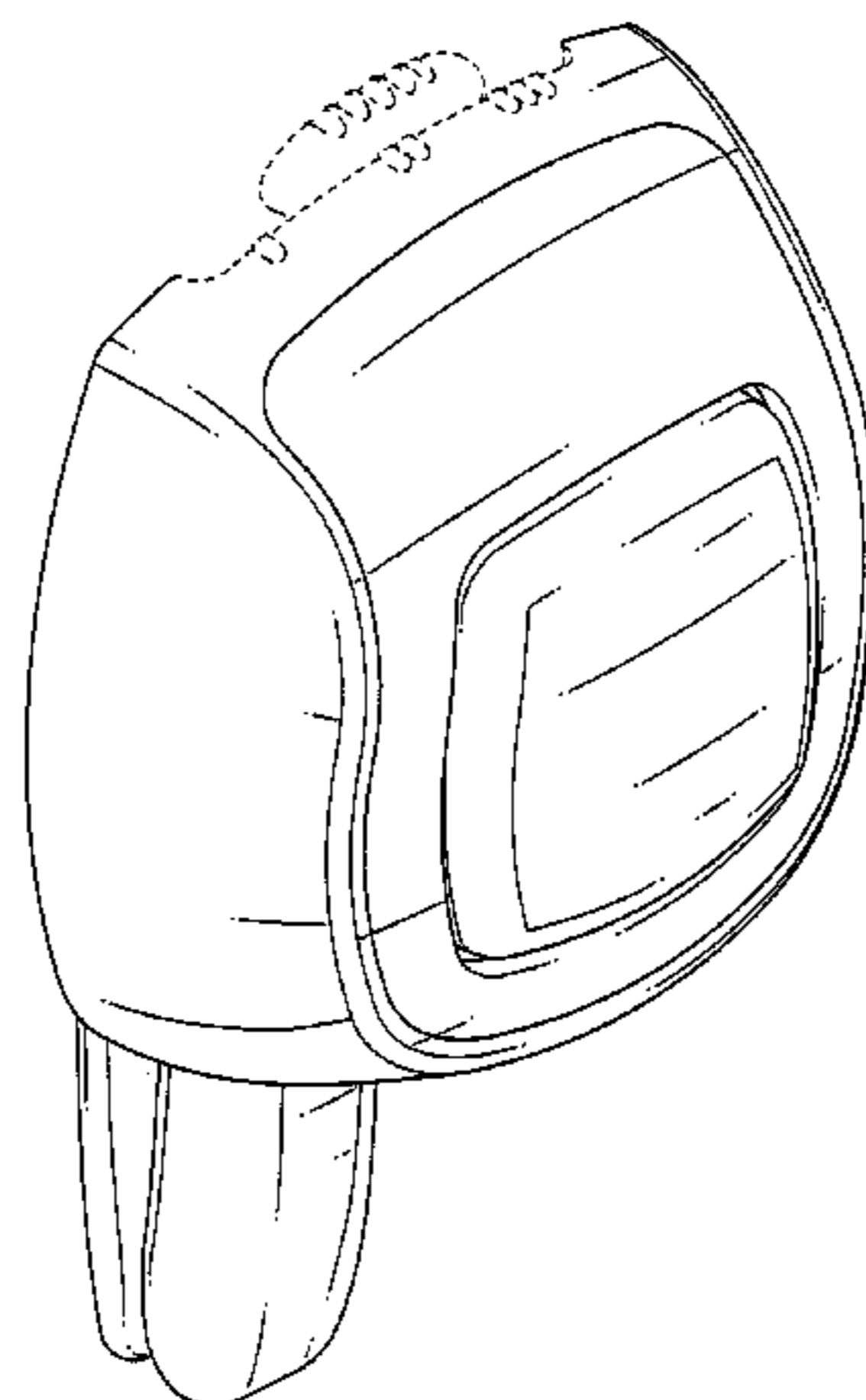


FIG. 2 is a front view of the air freshening device of FIG. 1.

FIG. 3 is a right side view of the air freshening device of FIG. 1.

FIG. 4 is a left side view of the air freshening device of FIG. 1.

FIG. 5 is a back view of the air freshening device of FIG. 1.

FIG. 6 is a top view of the air freshening device of FIG. 1.

FIG. 7 is a bottom view of the air freshening device of FIG. 1.

FIG. 8 is a perspective view of the first embodiment of the air freshening device having a front dome and the back element in an upward position.

FIG. 9 is a front view of the air freshening device of FIG. 8.

FIG. 10 is a right side view of the air freshening device of FIG. 8.

FIG. 11 is a left side view of the air freshening device of FIG. 8.

FIG. 12 is a back view of the air freshening device of FIG. 8.

FIG. 13 is a top view of the air freshening device of FIG. 8.

FIG. 14 is a bottom view of the air freshening device of FIG. 8.

FIG. 15 is a perspective view of a second embodiment of the air freshening device without a front dome and the back element in a downward position.

FIG. 16 is a front view of the air freshening device of FIG. 15.

FIG. 17 is a right side view of the air freshening device of FIG. 15.

FIG. 18 is a left side view of the air freshening device of FIG. 15.

FIG. 19 is a back view of the air freshening device of FIG. 15.

FIG. 20 is a top view of the air freshening device of FIG. 15; and,

FIG. 21 is a bottom view of the air freshening device of FIG. 15.

The broken line showing of environmental structure in the figures is for illustrative purposes only and forms no part of the claimed design.

1 Claim, 18 Drawing Sheets

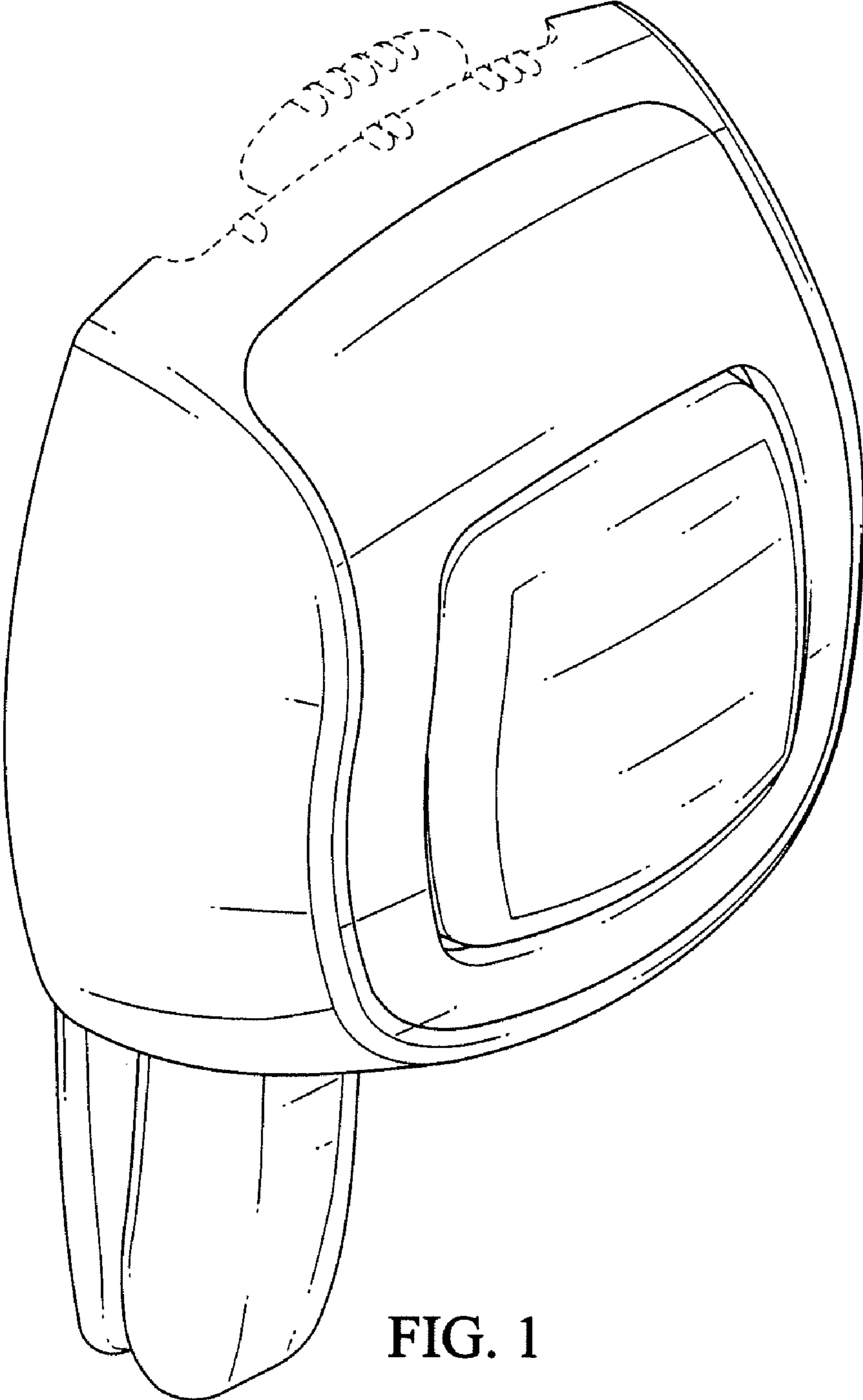


FIG. 1

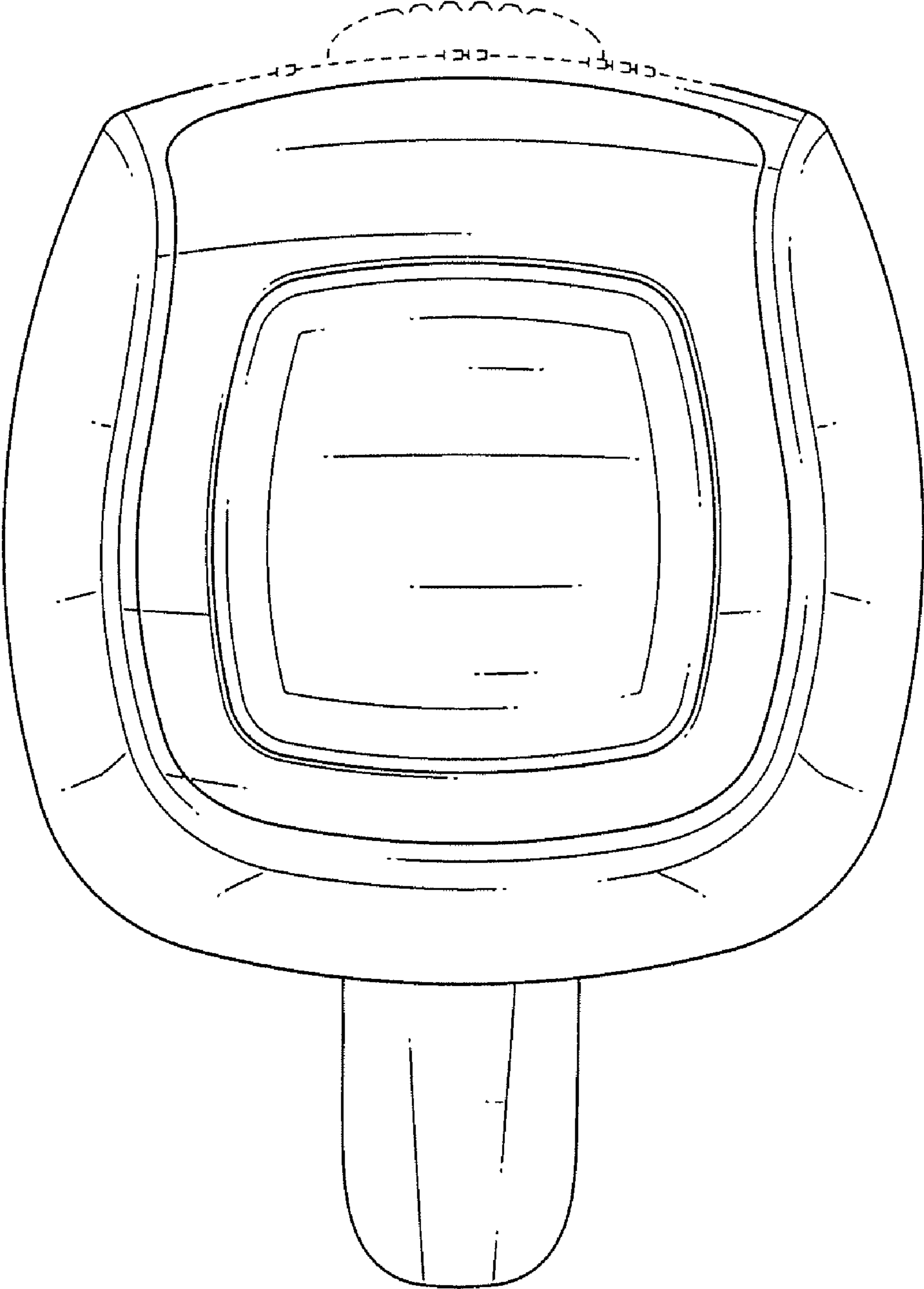


FIG. 2

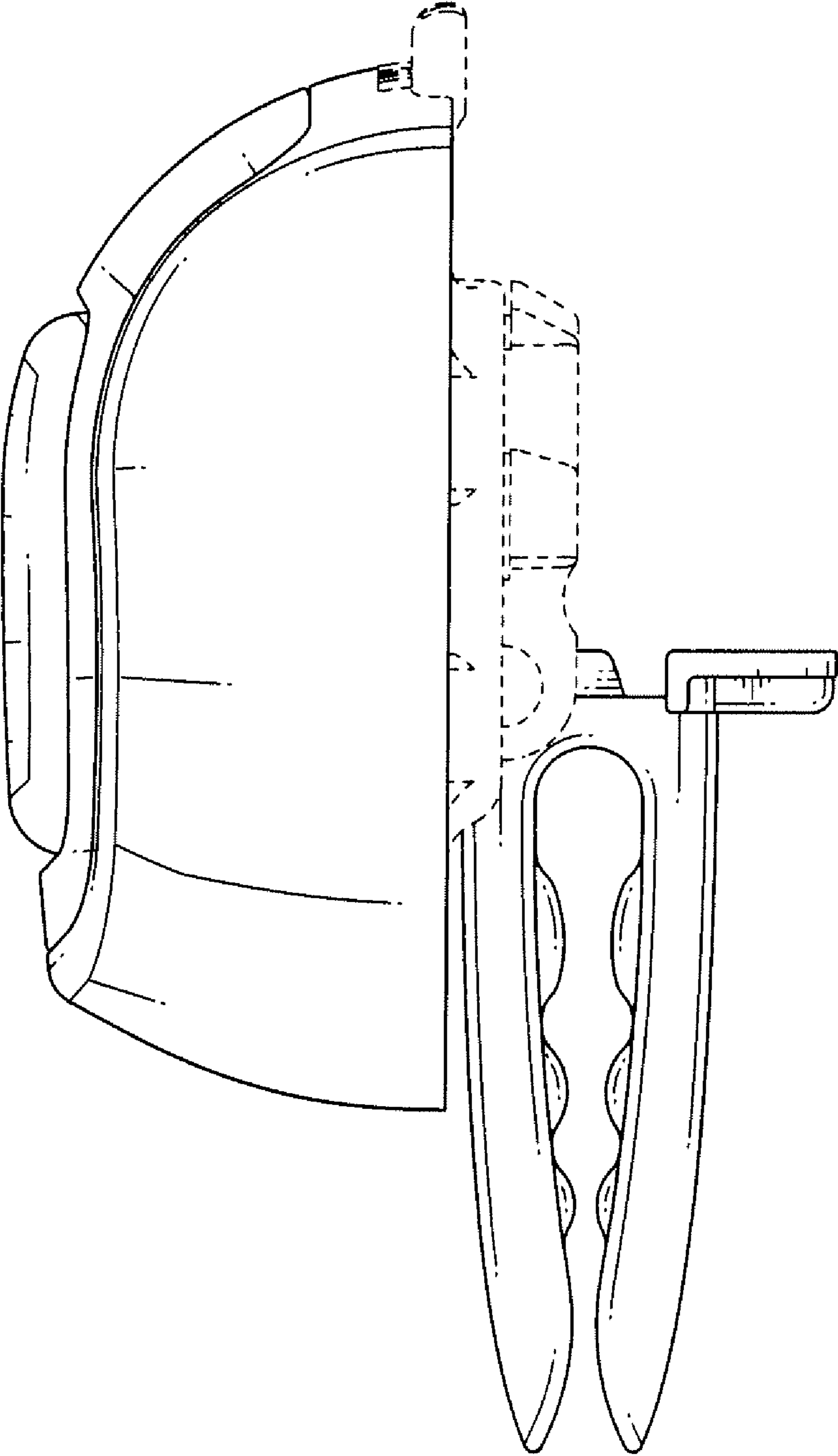


FIG. 3

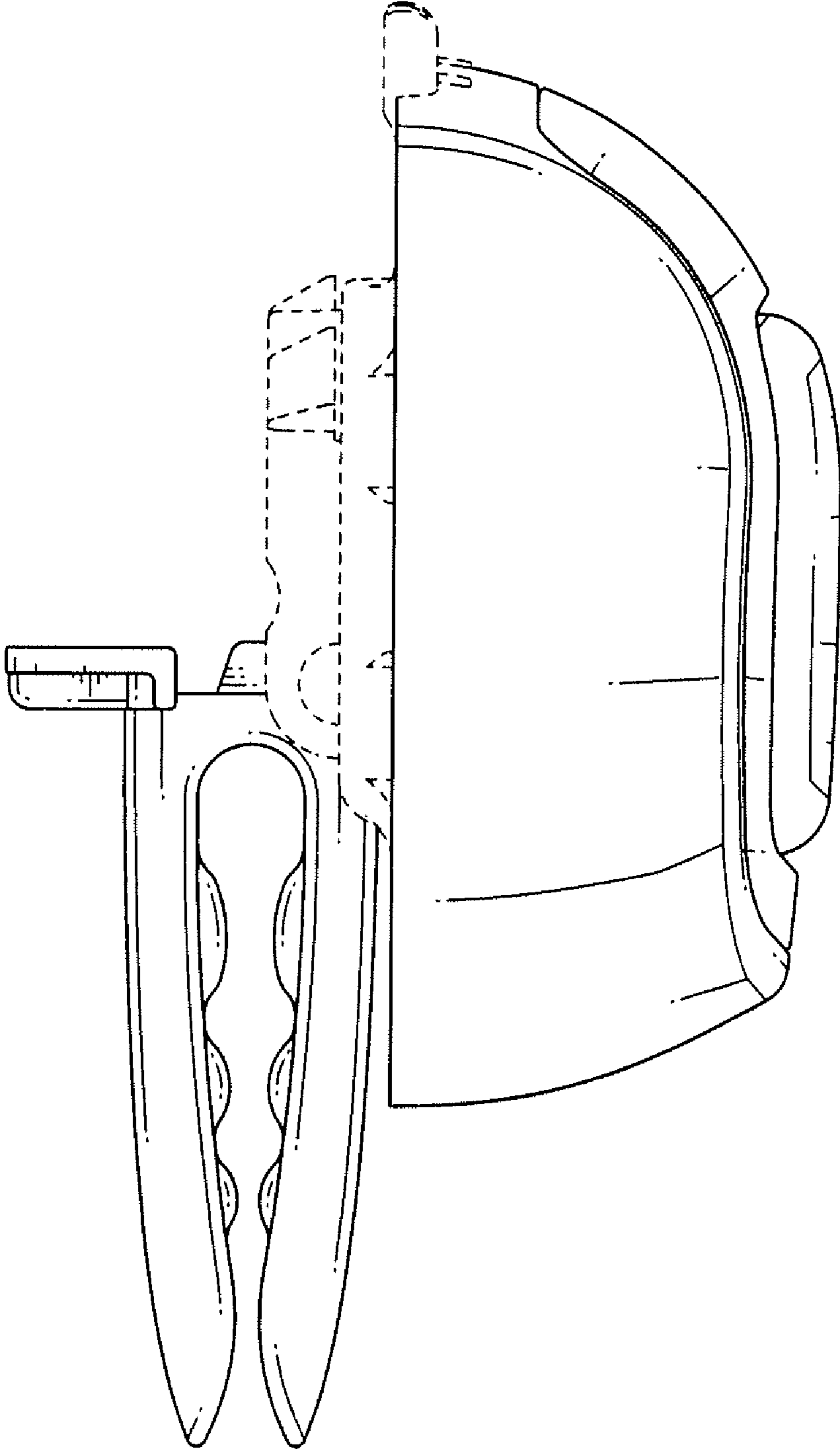


FIG. 4

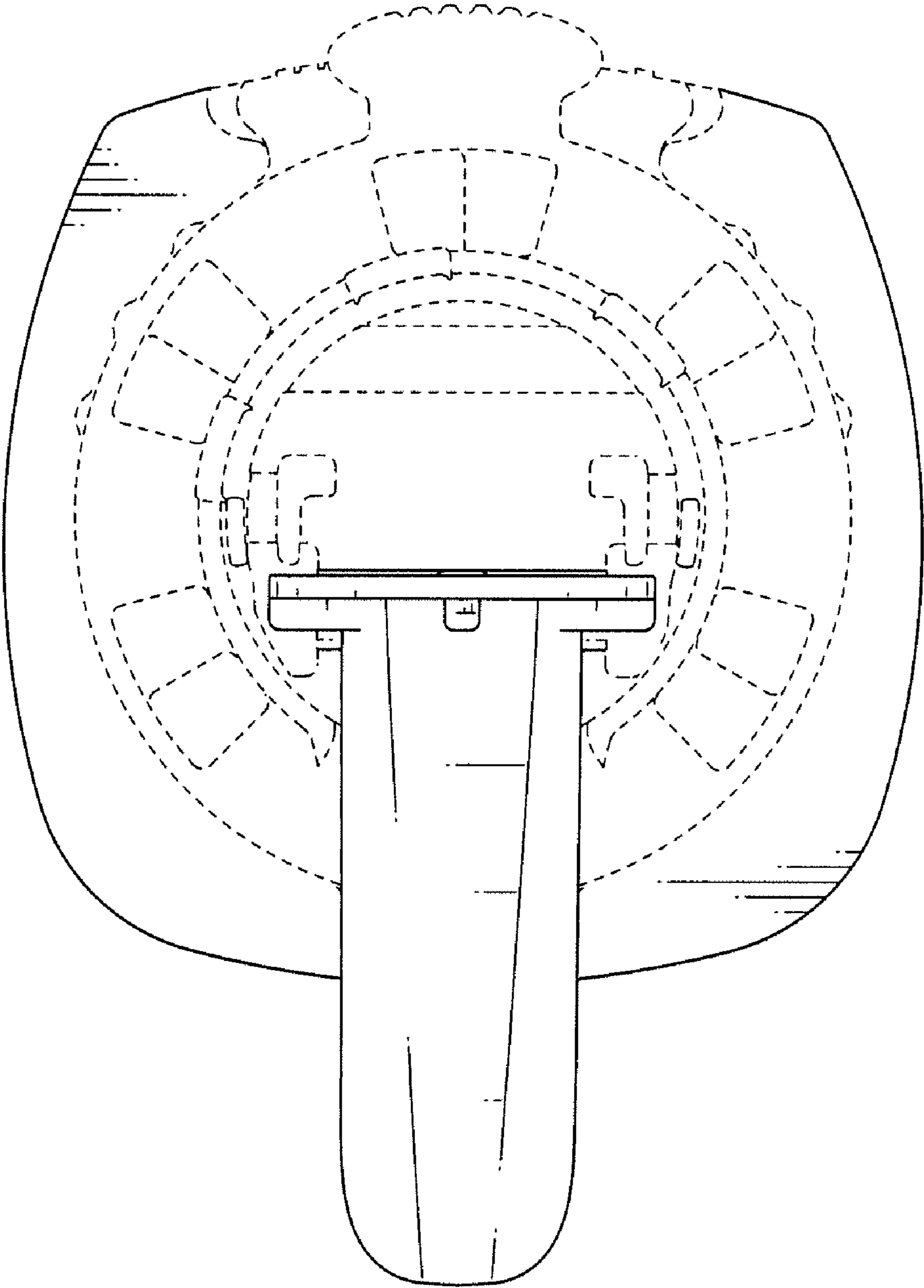


FIG. 5

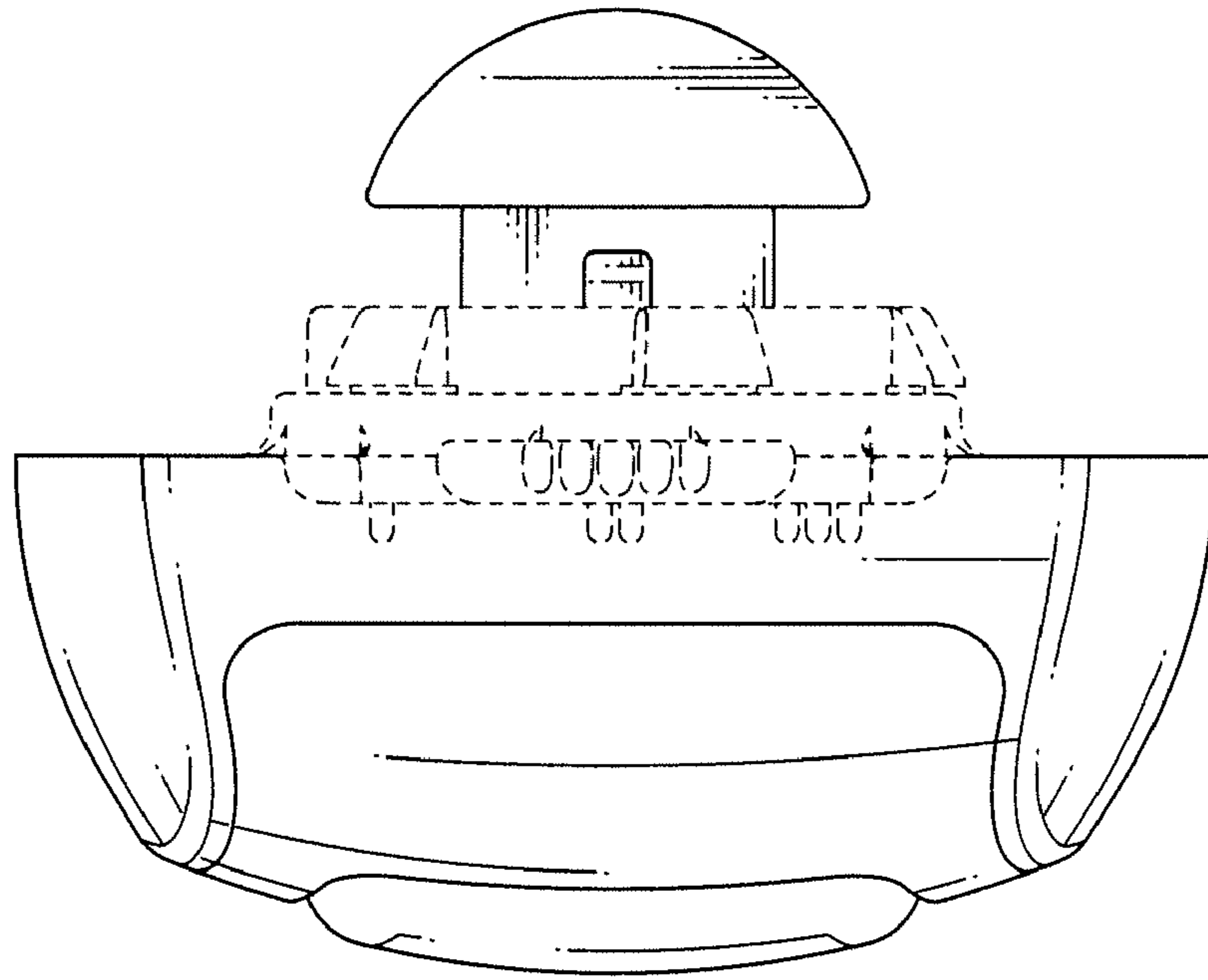


FIG. 6

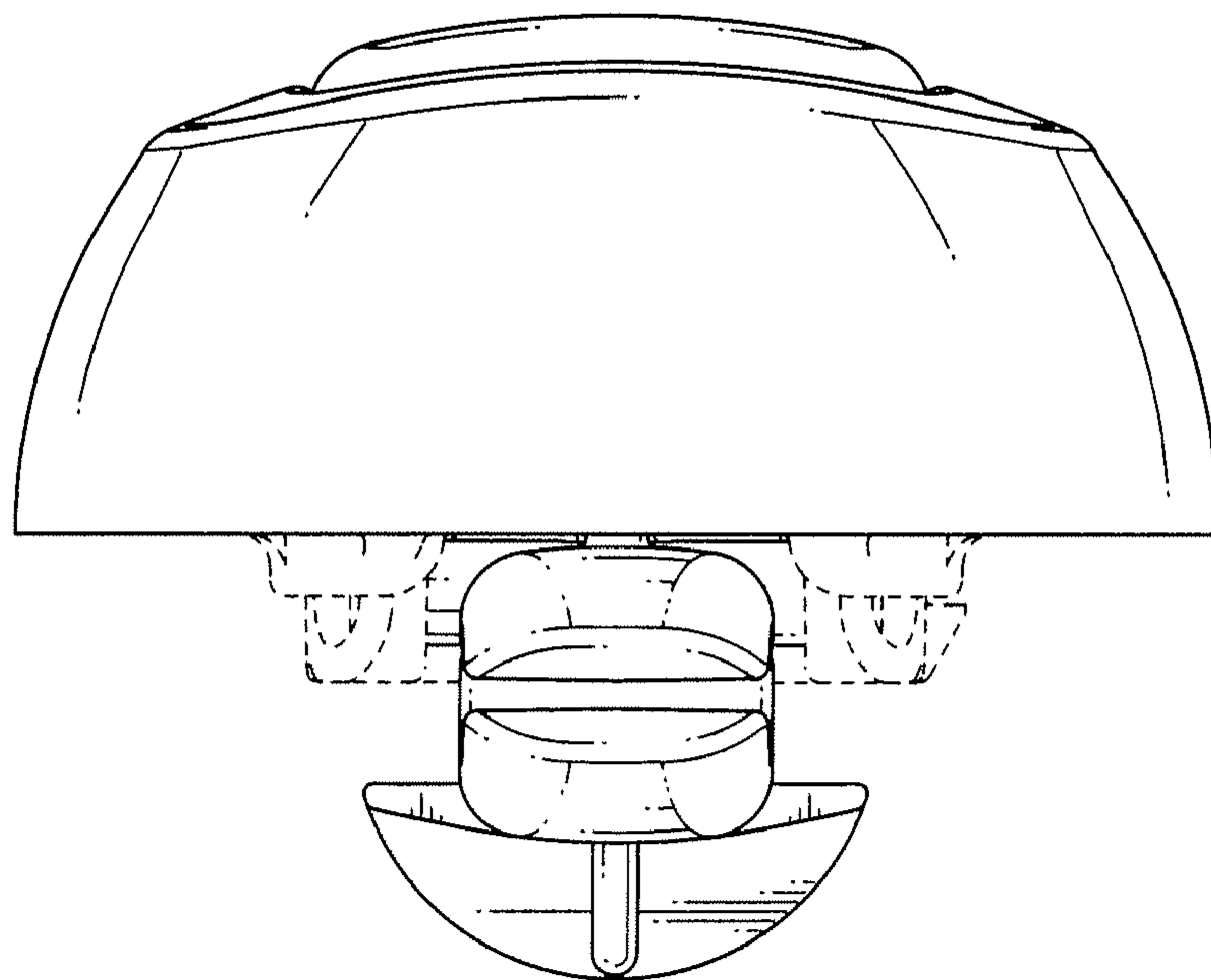


FIG. 7

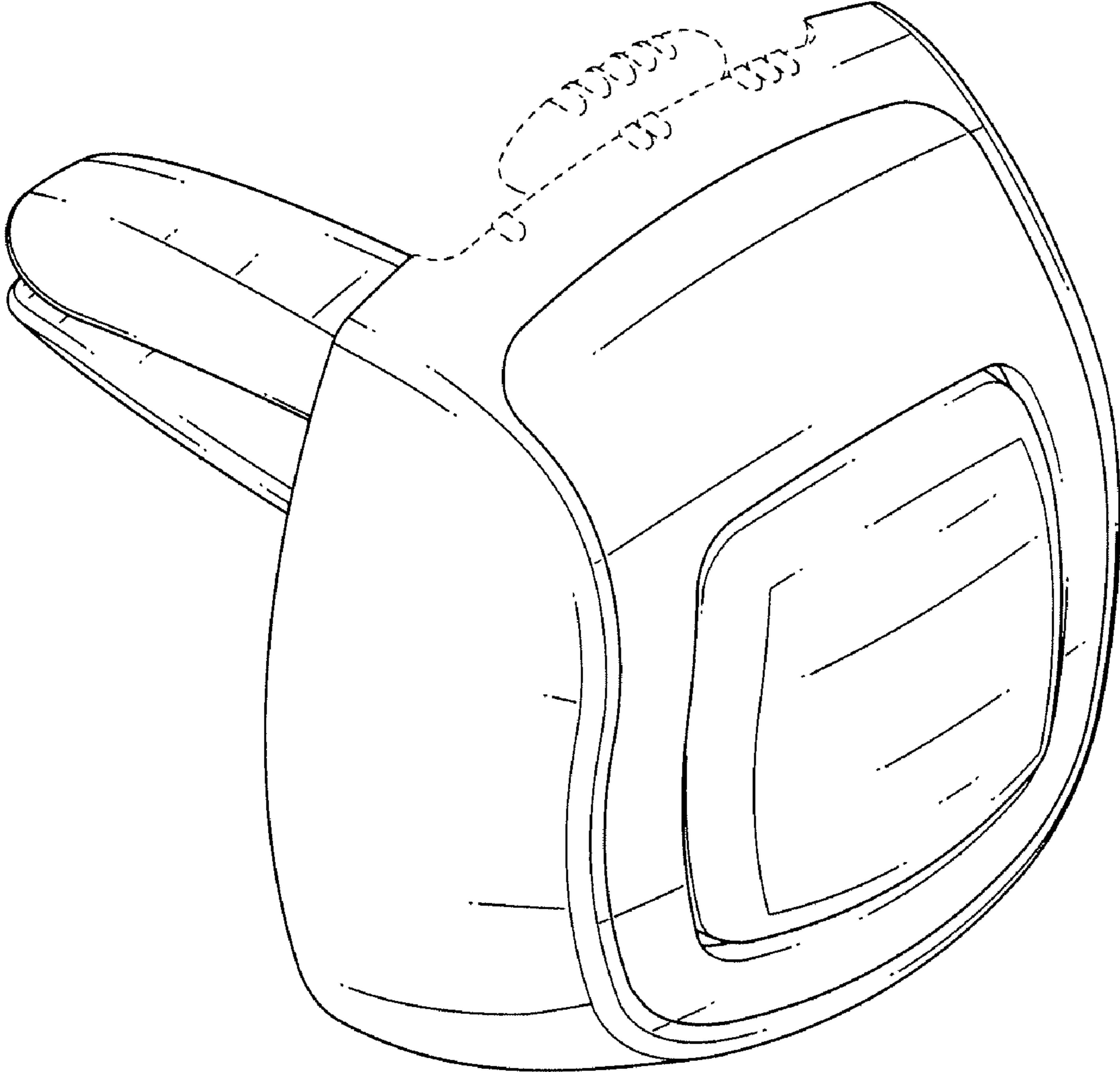


FIG. 8

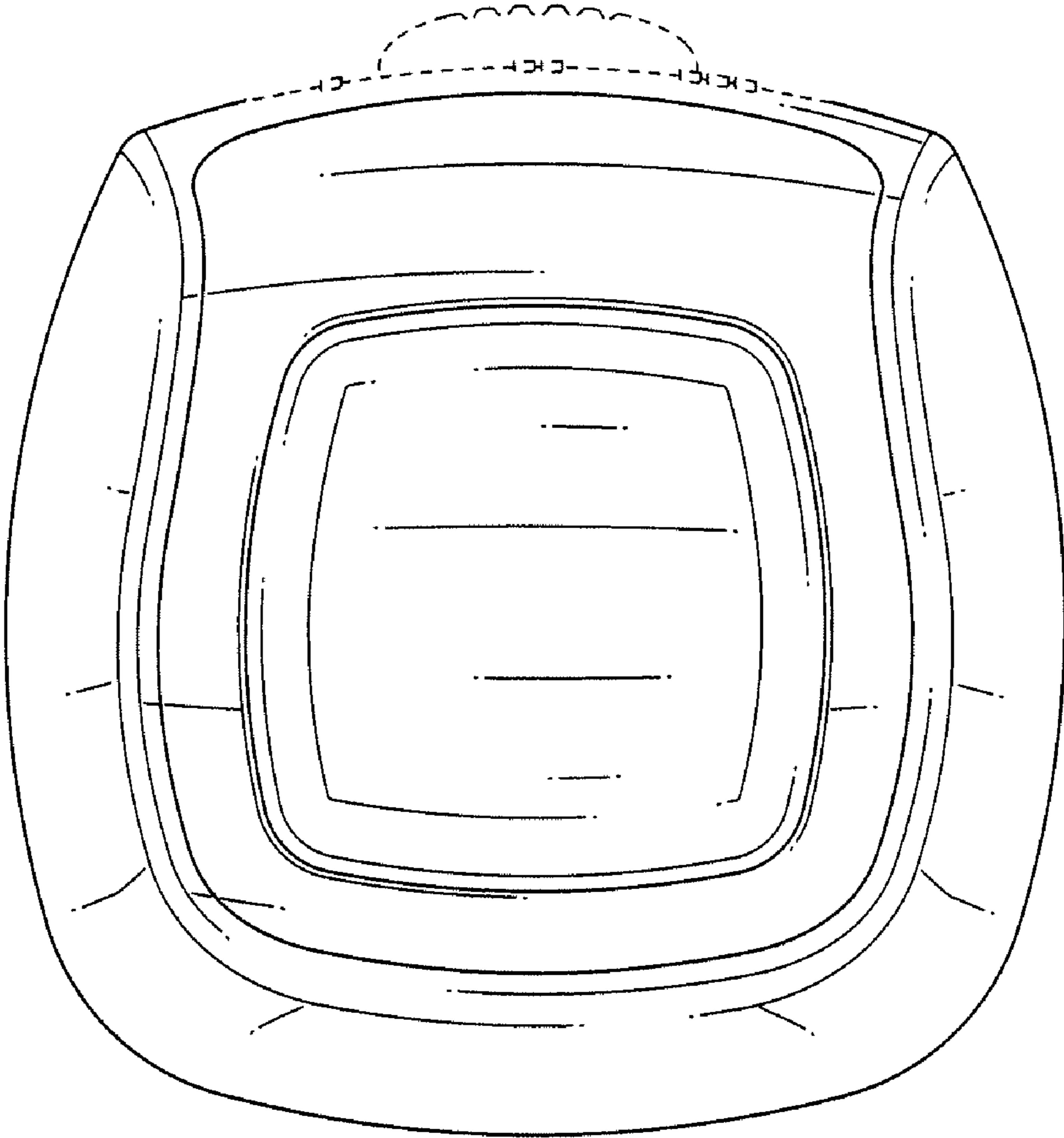


FIG. 9

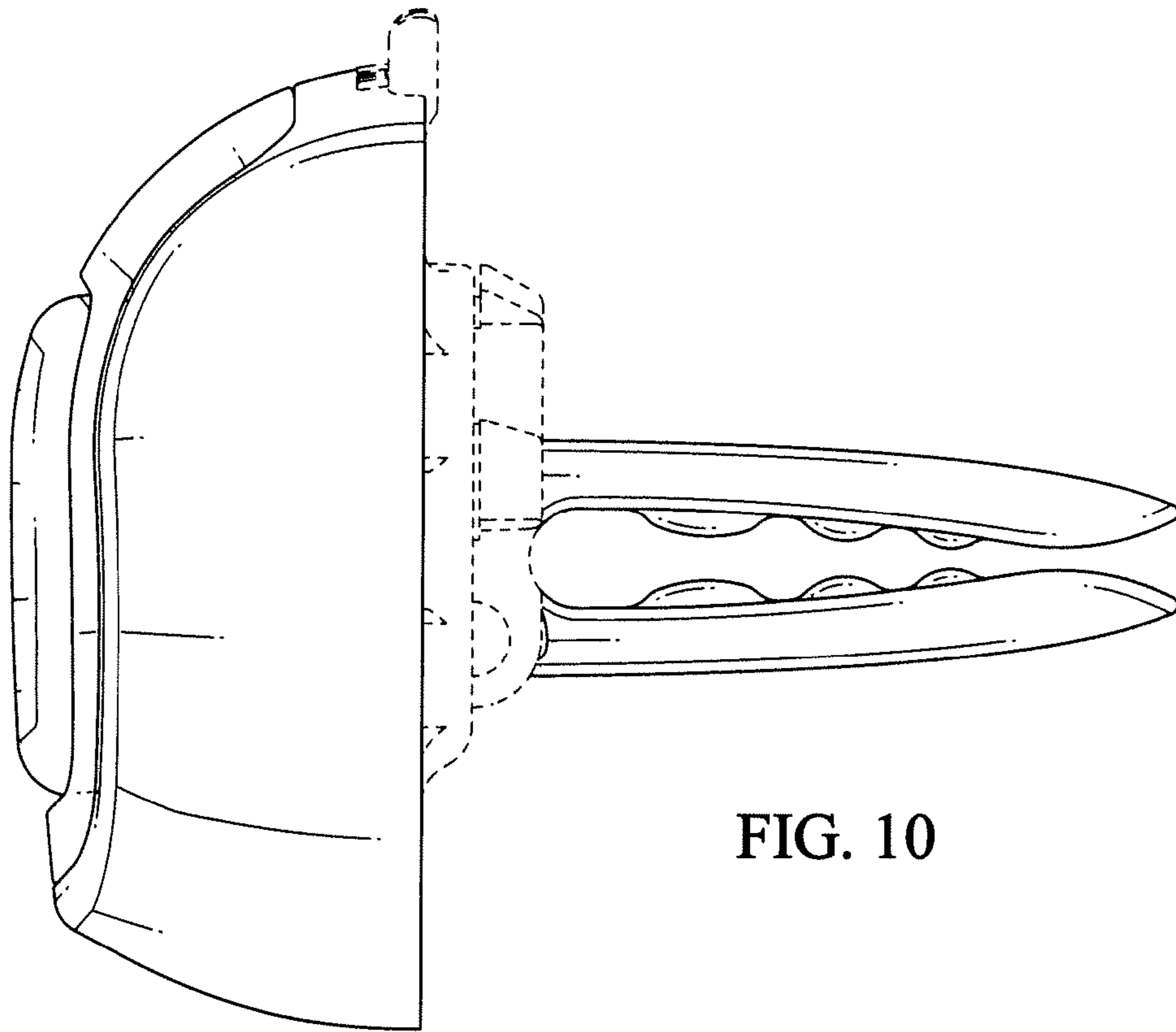


FIG. 10

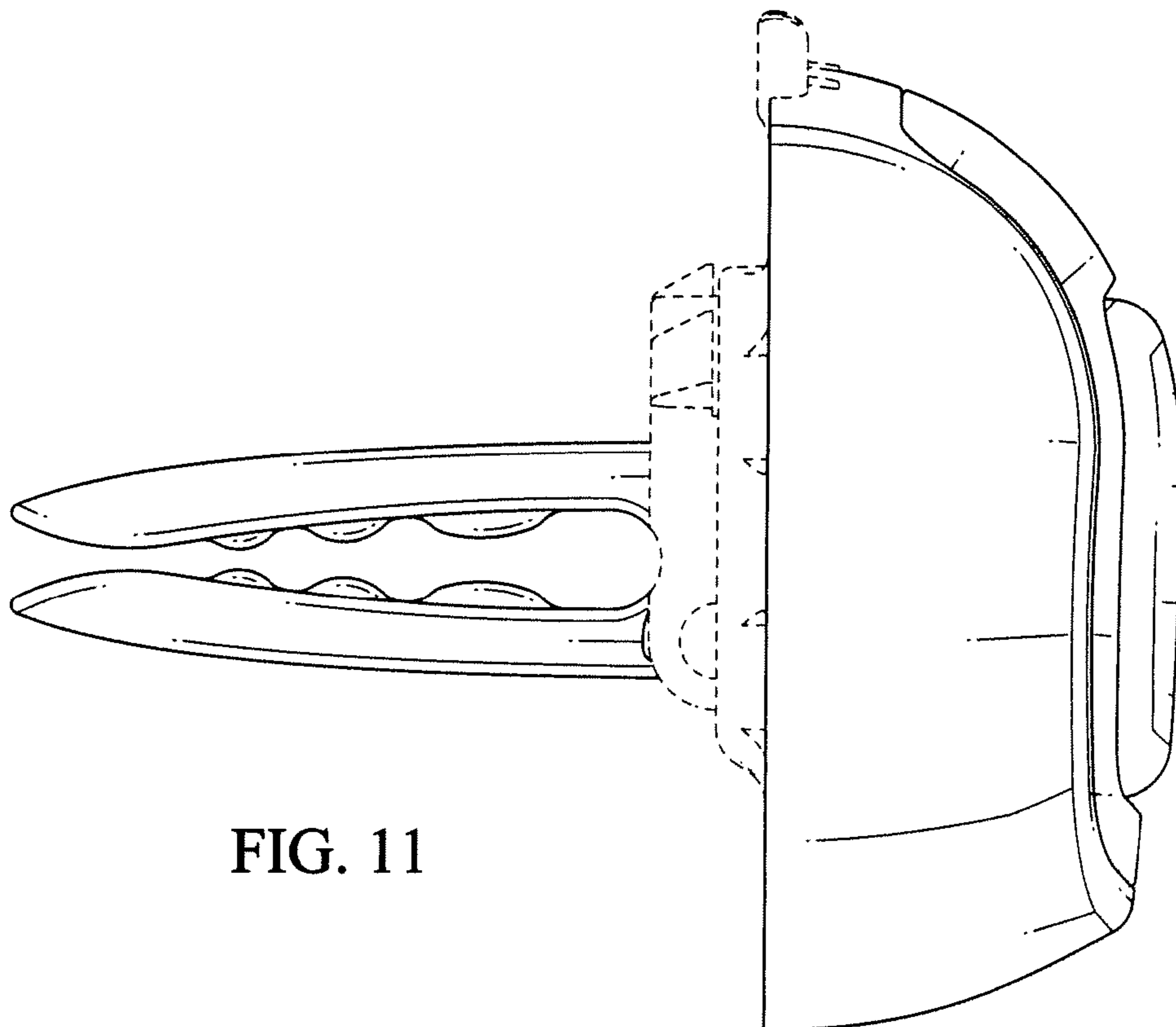


FIG. 11

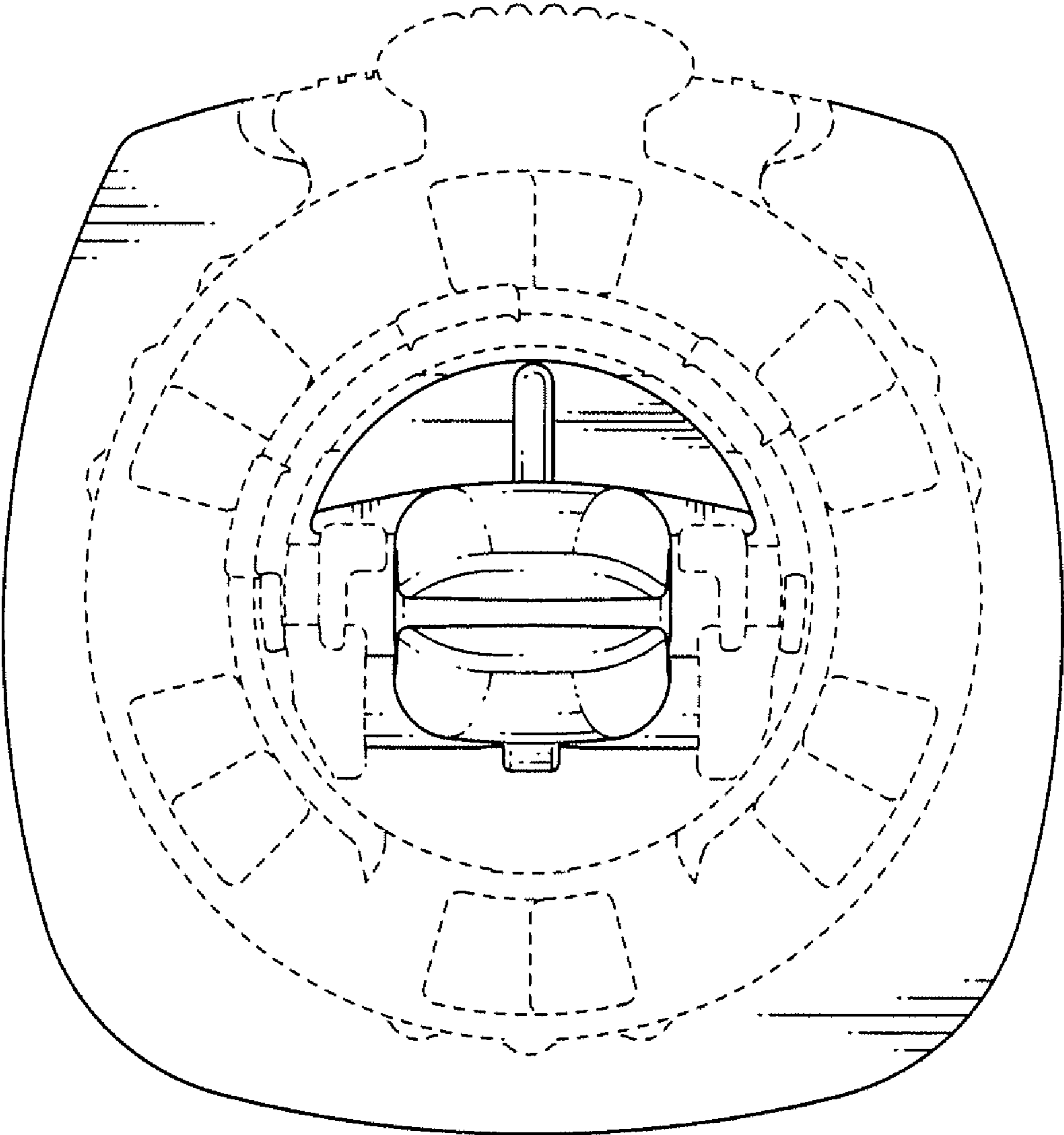


FIG. 12

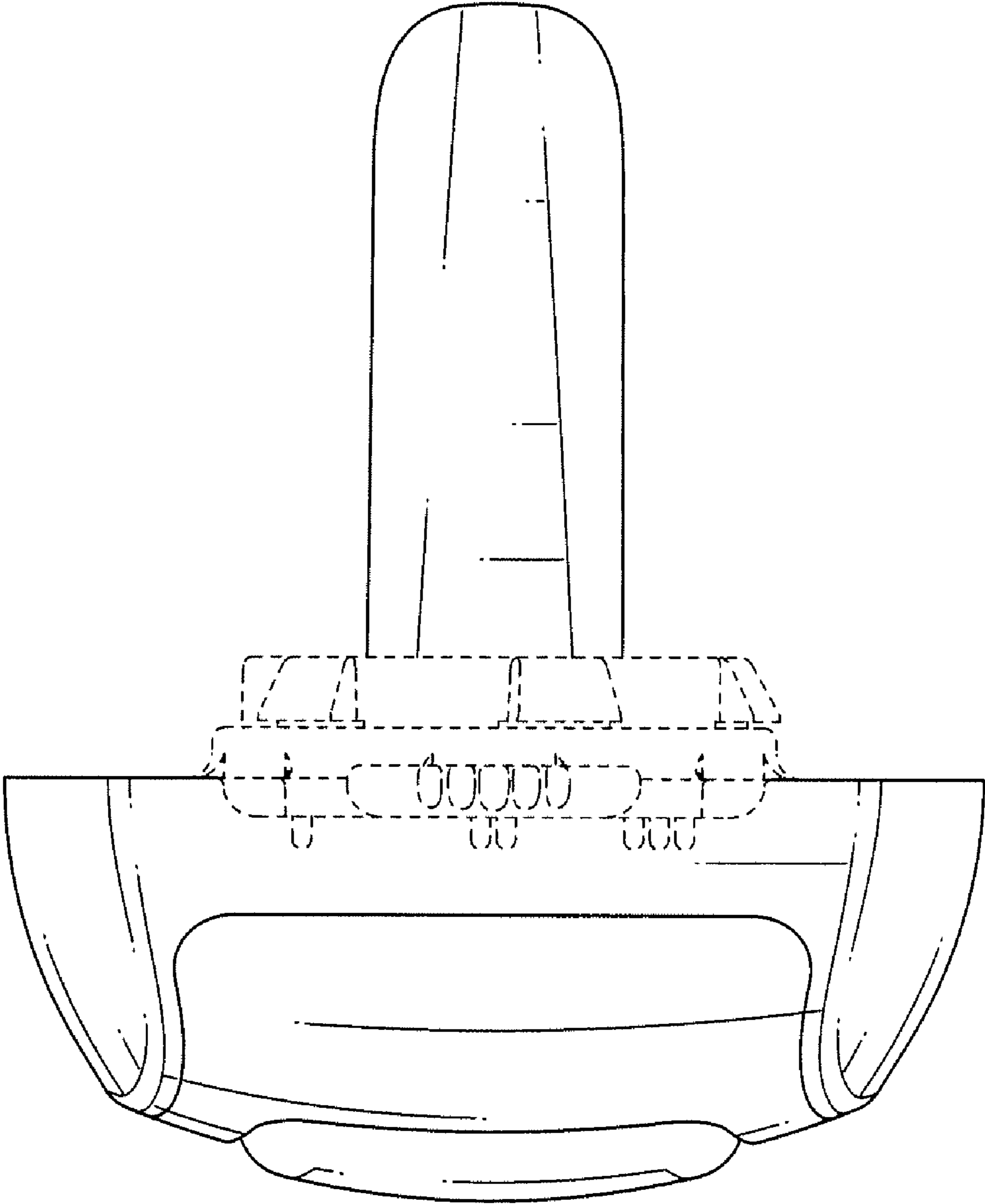


FIG. 13

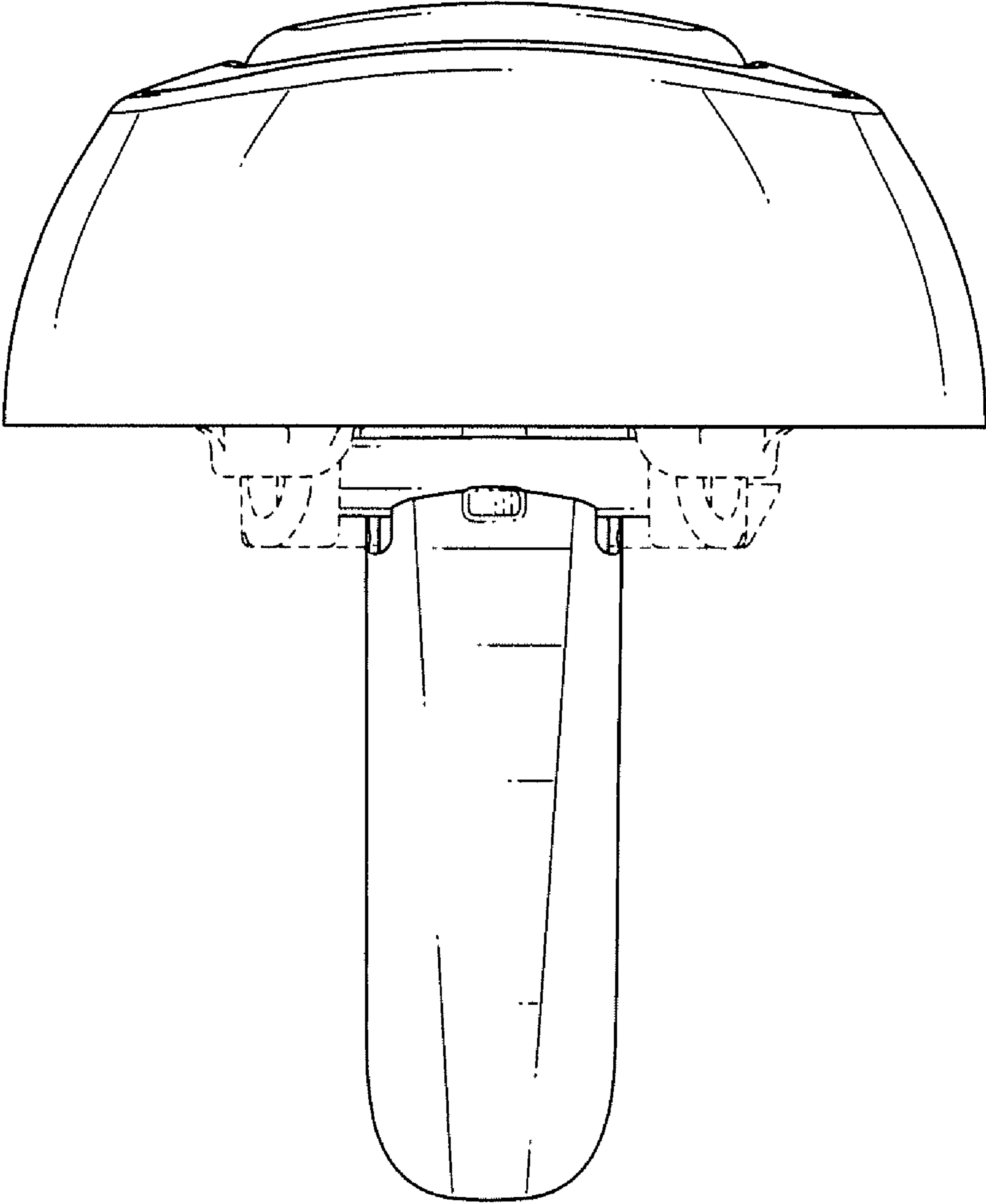


FIG. 14

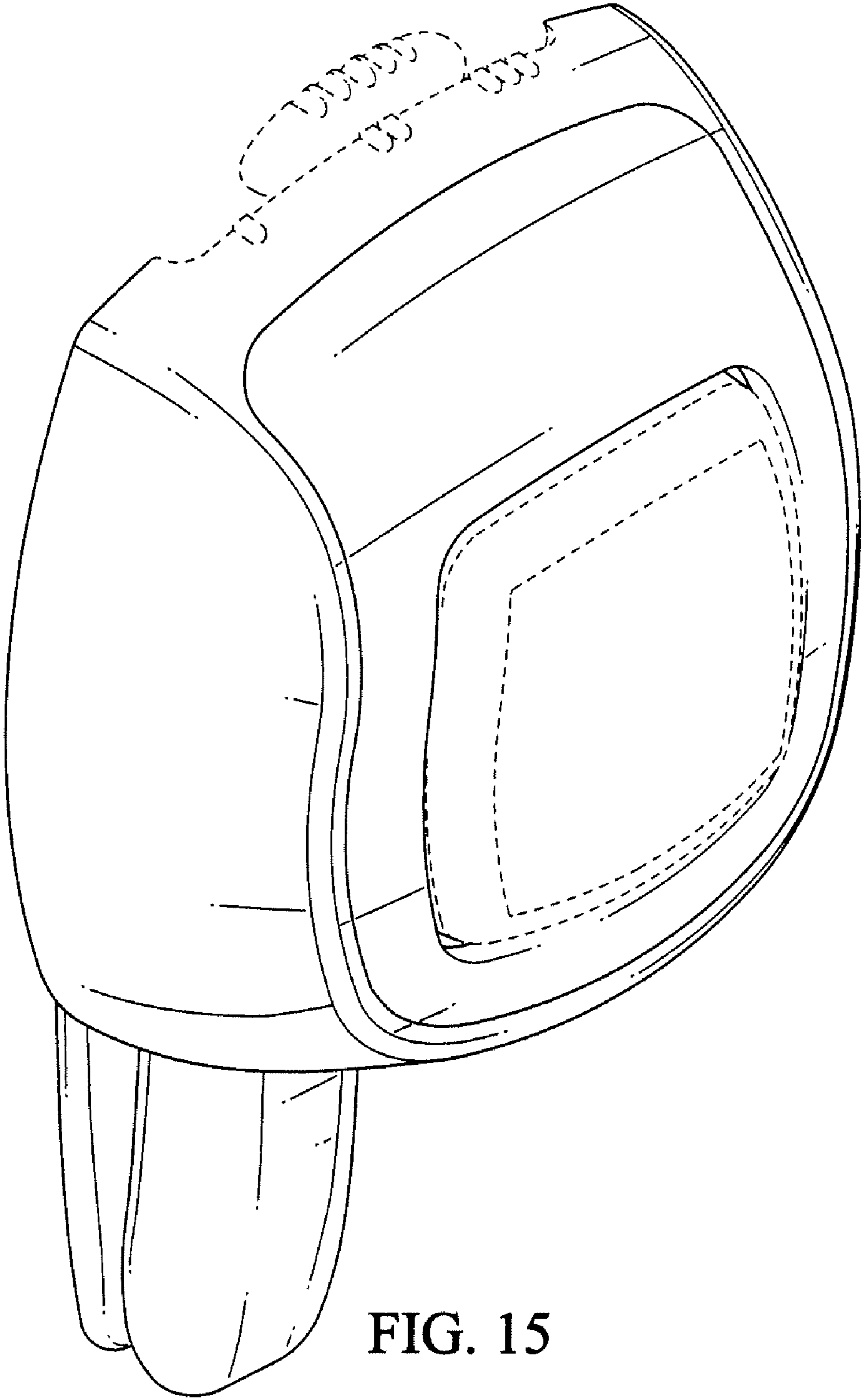


FIG. 15

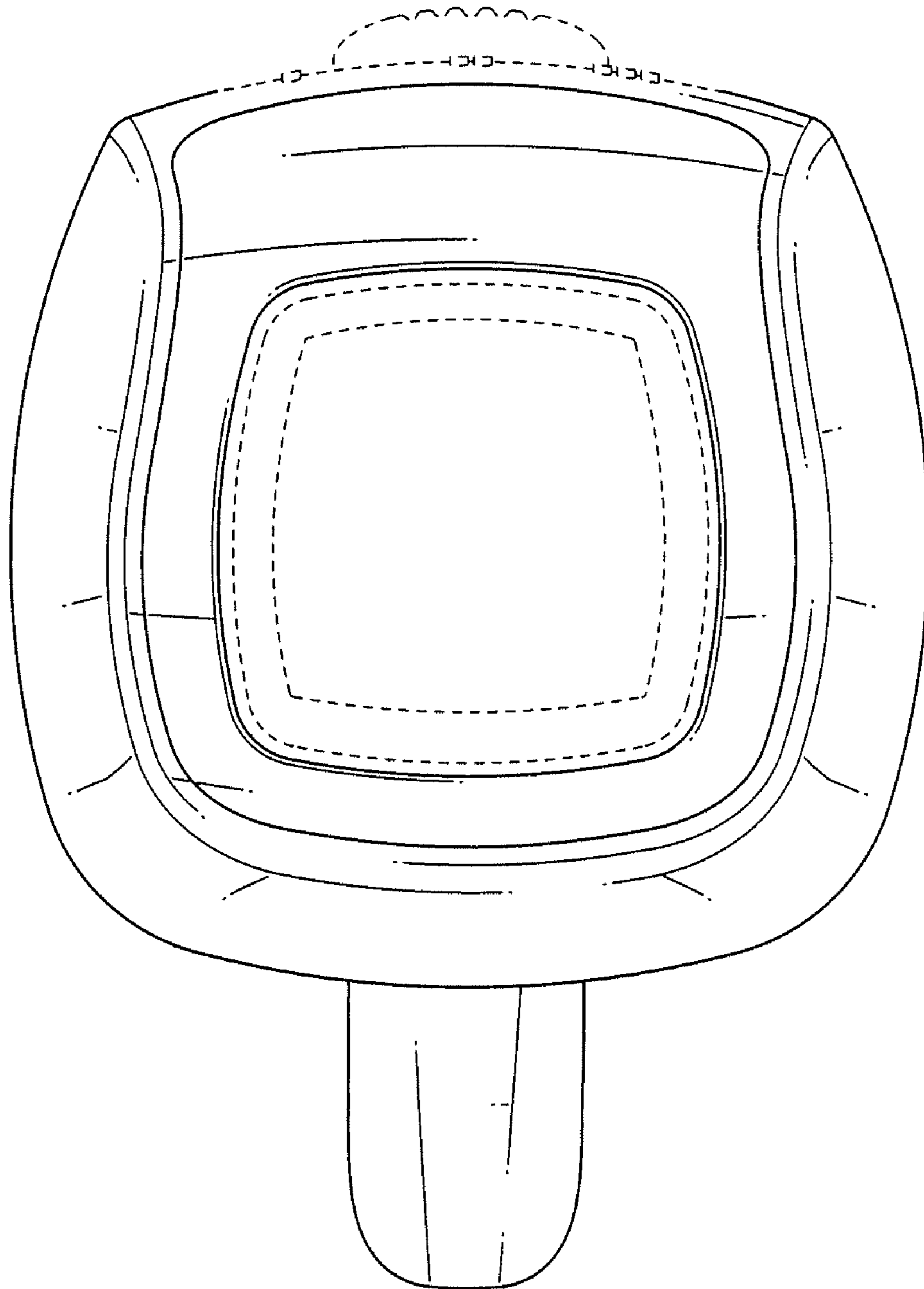


FIG. 16

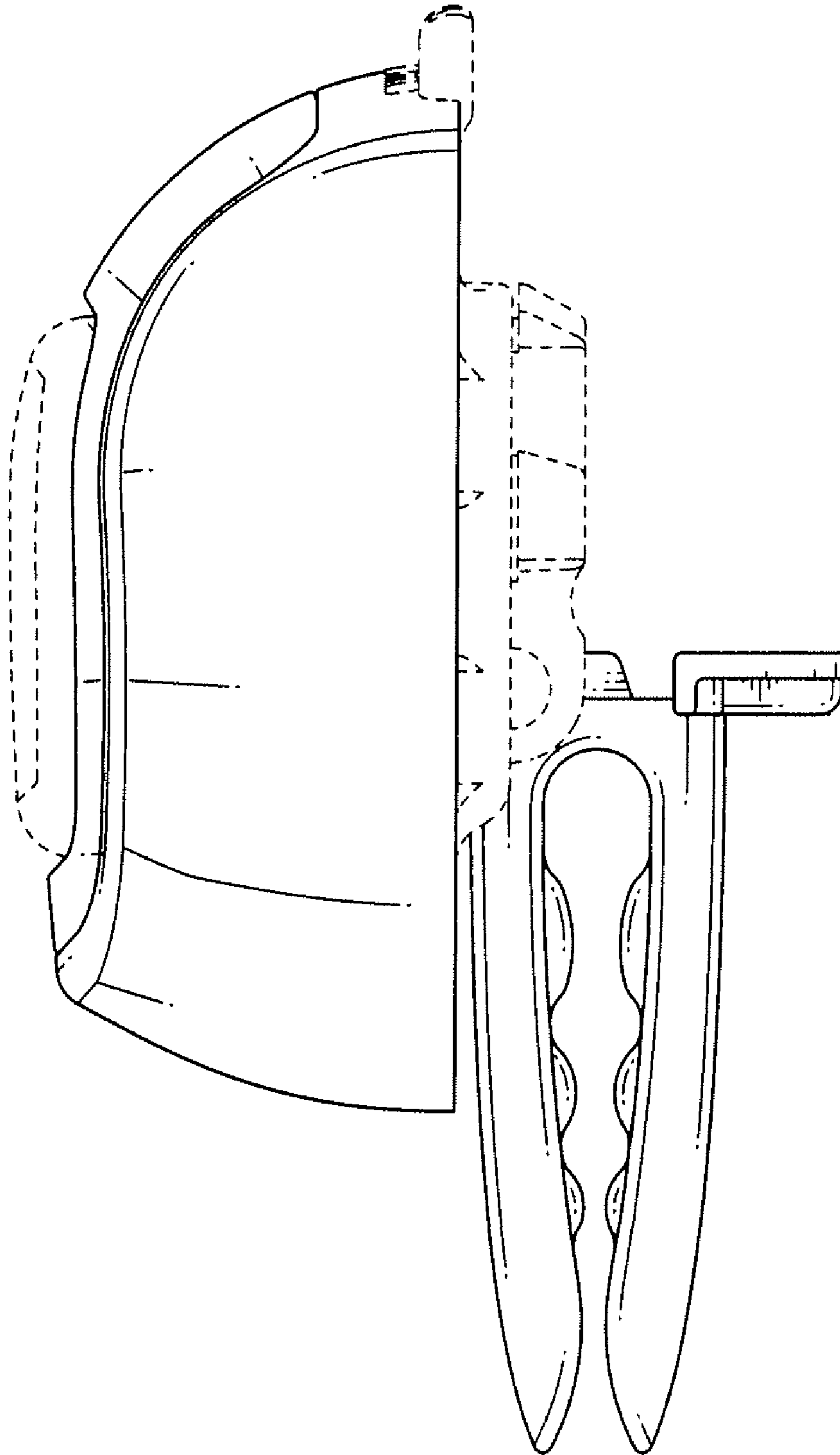


FIG. 17

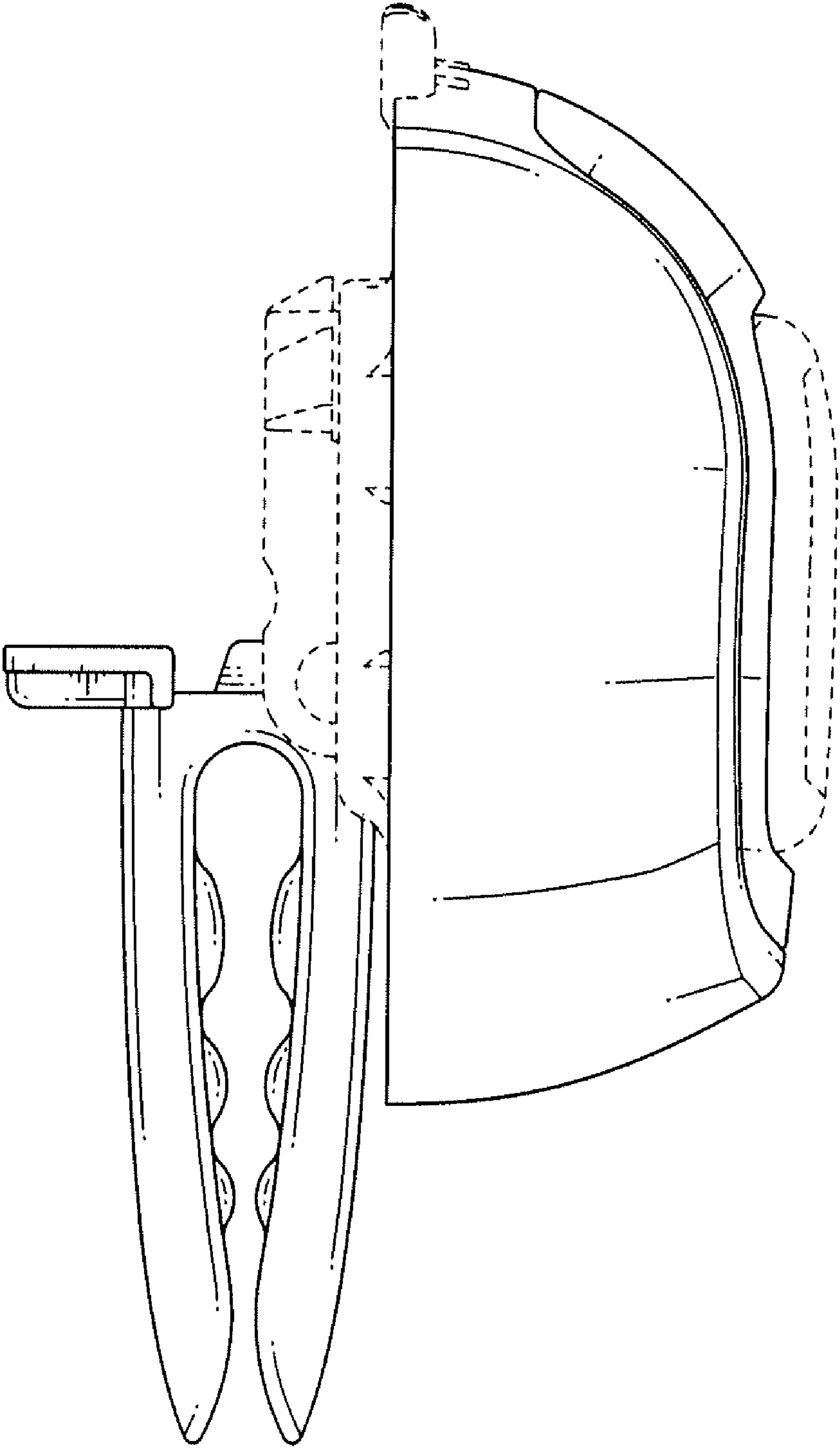


FIG. 18

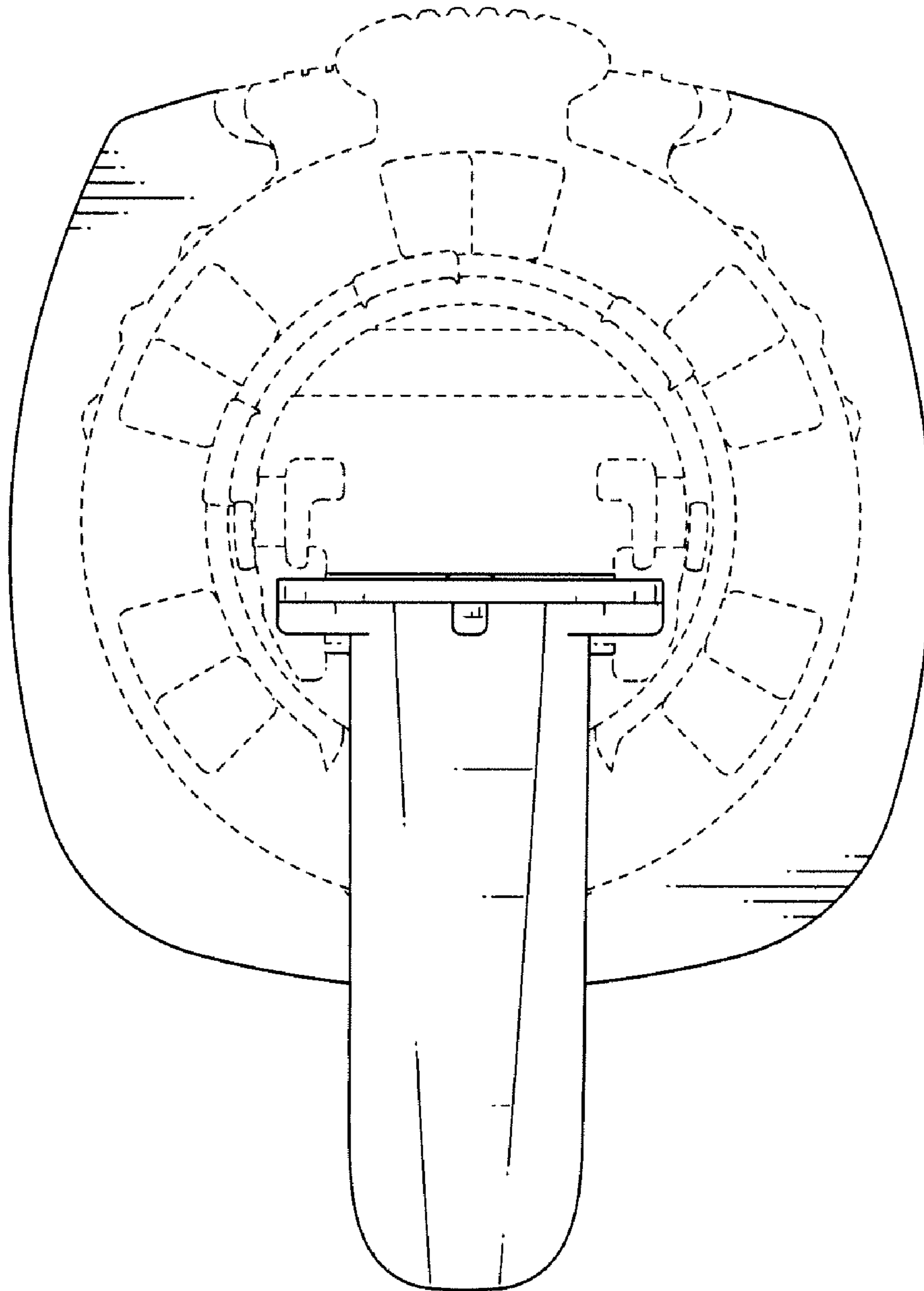


FIG. 19

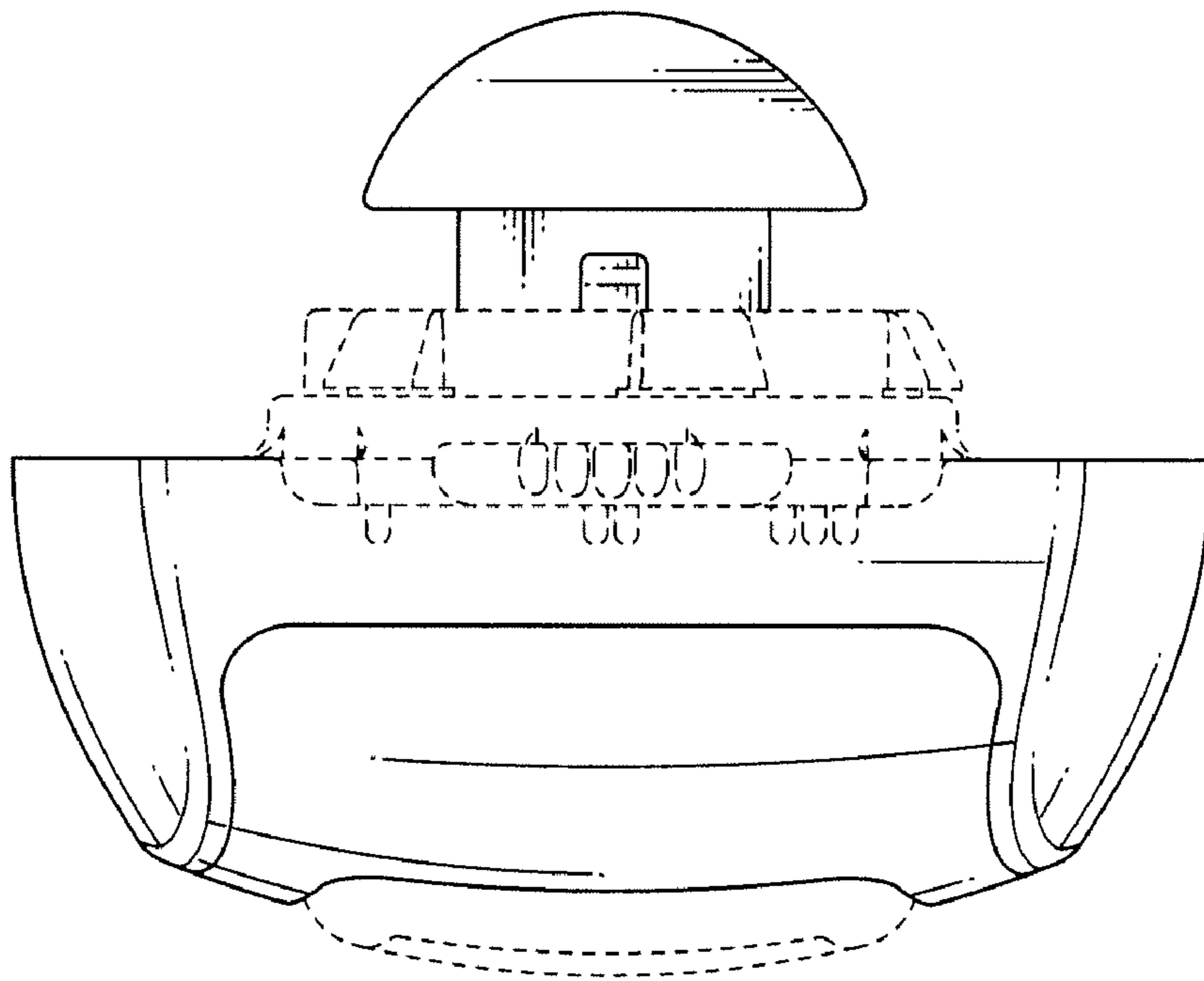


FIG. 20

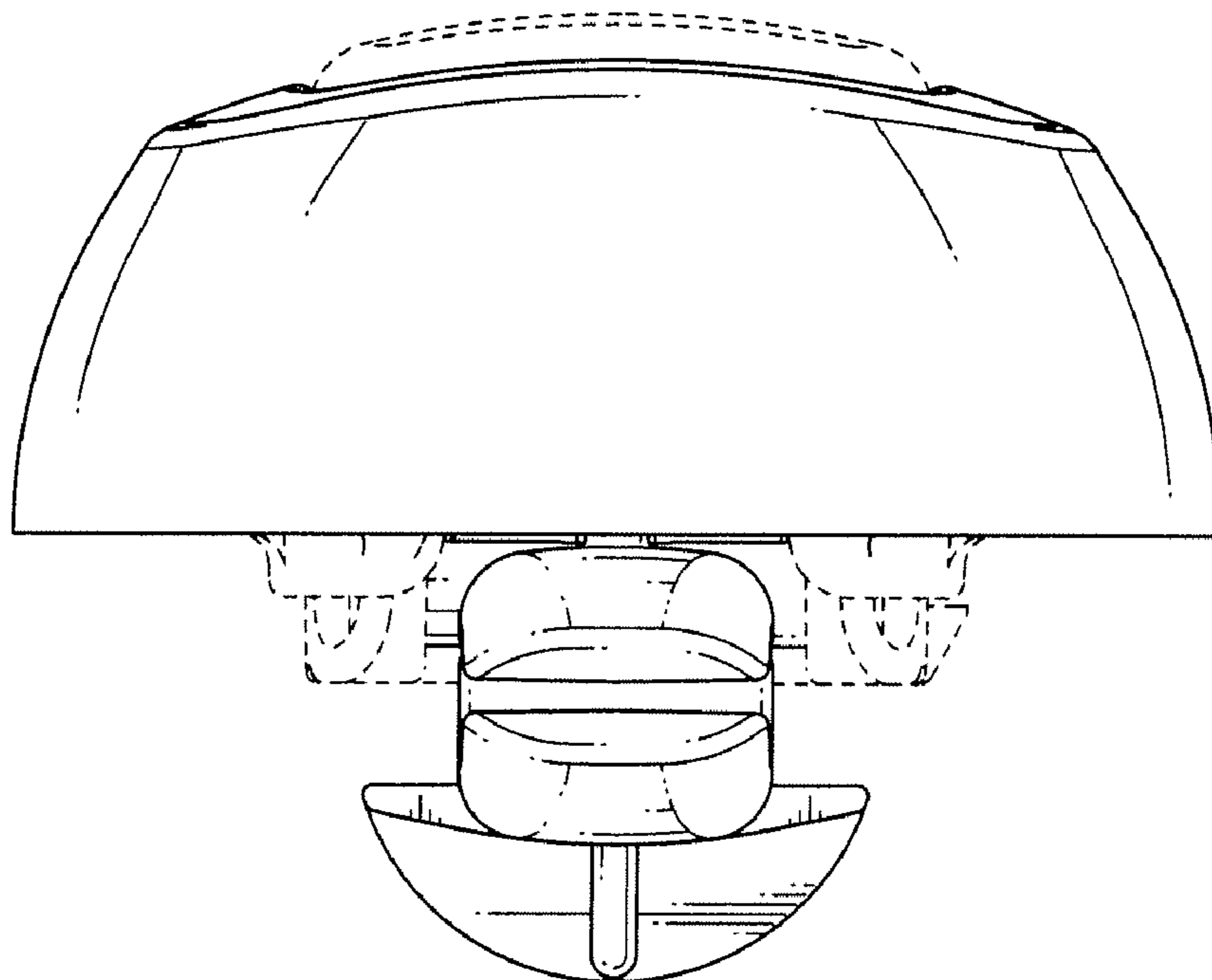


FIG. 21