



US00D621020S

(12) **United States Design Patent**  
**Lehaneur**

(10) **Patent No.:** **US D621,020 S**

(45) **Date of Patent:** **\*\* Aug. 3, 2010**

(54) **BIOLOGICAL AIR FILTER**

(75) Inventor: **Mathieu Lehaneur**, Paris (FR)

(73) Assignee: **Le Labogroup SAS**, Paris (FR)

(\*\*) Term: **14 Years**

(21) Appl. No.: **29/335,070**

(22) Filed: **Apr. 8, 2009**

(30) **Foreign Application Priority Data**

Oct. 8, 2008 (EP) ..... 001017156  
Oct. 8, 2008 (EP) ..... 001017255

(51) **LOC (9) Cl.** ..... **23-04**

(52) **U.S. Cl.** ..... **D23/364**

(58) **Field of Classification Search** ..... D23/362–366,  
D23/351–356, 358–360, 352, 369, 386, 341,  
D23/332–336, 342; 55/385.3, 502, 497,  
55/506, 505, 521, 495, 422, 493, DIG. 30,  
55/356, 473, 504; 210/497.1; 422/120, 122;  
96/97; D14/188, 170, 172, 496; 261/DIG. 17,  
261/DIG. 65, DIG. 88, DIG. 31; D19/85  
See application file for complete search history.

(56) **References Cited**

**U.S. PATENT DOCUMENTS**

D274,837 S \* 7/1984 Lynch et al. .... D23/364  
D295,783 S \* 5/1988 Gutkowski ..... D23/366  
D448,417 S \* 9/2001 Kwok ..... D19/85  
D468,415 S \* 1/2003 Moreno et al. .... D23/341  
D522,641 S \* 6/2006 Matsuda et al. .... D23/366  
D522,642 S \* 6/2006 Matsuda et al. .... D23/366  
D531,294 S \* 10/2006 Kazakevicius et al. .... D23/366  
D545,950 S \* 7/2007 Ching et al. .... D23/335

D551,333 S \* 9/2007 Wu ..... D23/366  
D551,745 S \* 9/2007 Aulwes et al. .... D23/355  
D592,295 S \* 5/2009 Nanda ..... D23/356  
D598,527 S \* 8/2009 Fitsch ..... D23/356  
D598,770 S \* 8/2009 Delfino, Jr. .... D23/366

**FOREIGN PATENT DOCUMENTS**

WO WO 2009/048925 4/2009

**OTHER PUBLICATIONS**

Japanese Patent Office, "Notification of Reasons for Refusal", JP Application No. 2009-8119, mailed on Jul. 31, 2009 (6 pages).  
*Pen*, vol. 11, Issue 15, p. 100.

\* cited by examiner

*Primary Examiner*—T. Chase Nelson

*Assistant Examiner*—David G Muller

(74) *Attorney, Agent, or Firm*—Fish & Richardson P.C.

(57) **CLAIM**

The ornamental design for a biological air filter, substantially as shown and described.

**DESCRIPTION**

FIG. 1 shows a perspective view of the design.

FIG. 2 shows a rear view of the design.

FIG. 3 shows a front view of the design.

FIG. 4 shows a left side view of the design.

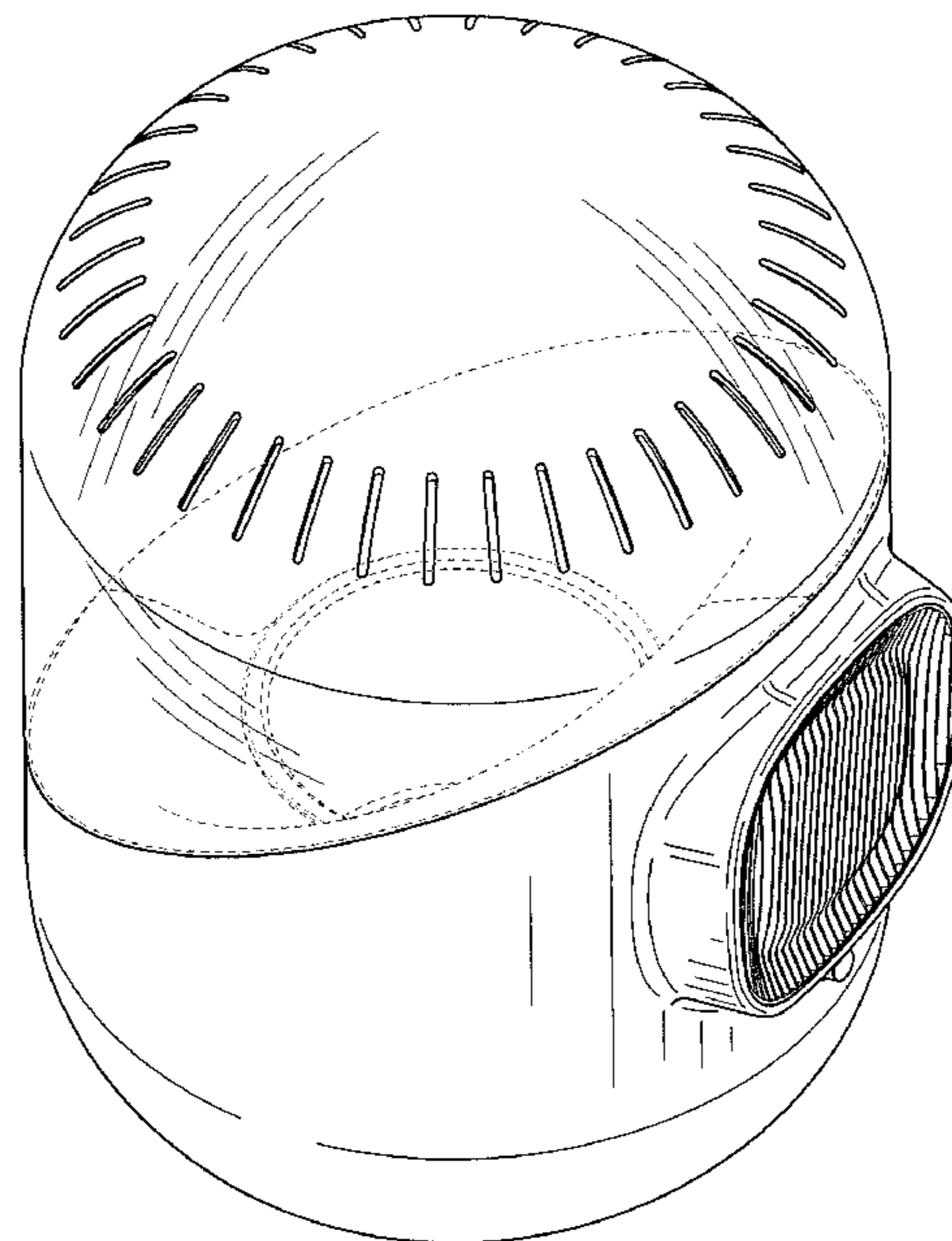
FIG. 5 shows a right side view of the design.

FIG. 6 shows a top view of the design; and,

FIG. 7 shows a bottom view of the design.

The broken lines depict portions of the air filter that form no part of the claimed design.

**1 Claim, 6 Drawing Sheets**



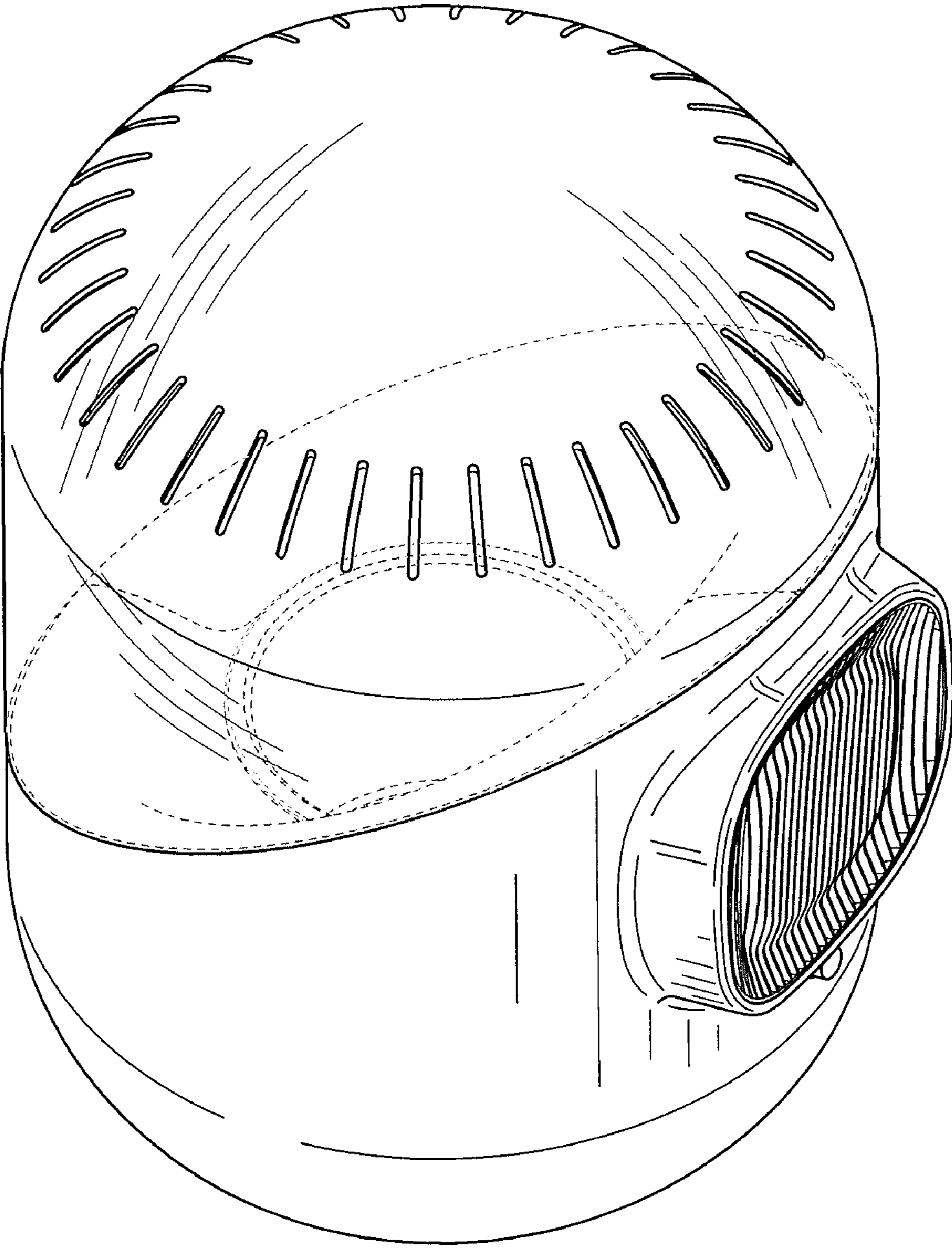


FIG. 1

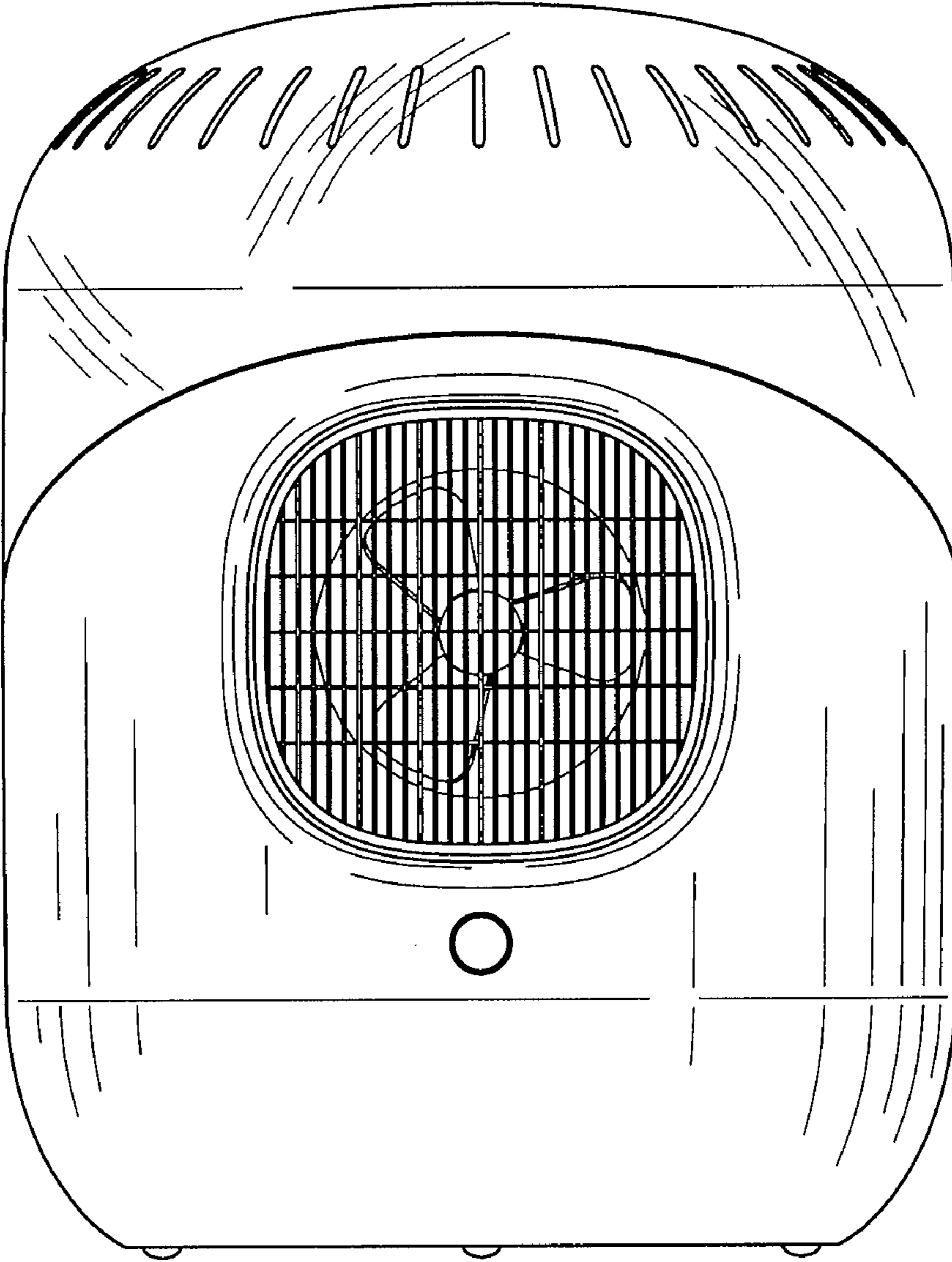


FIG. 2

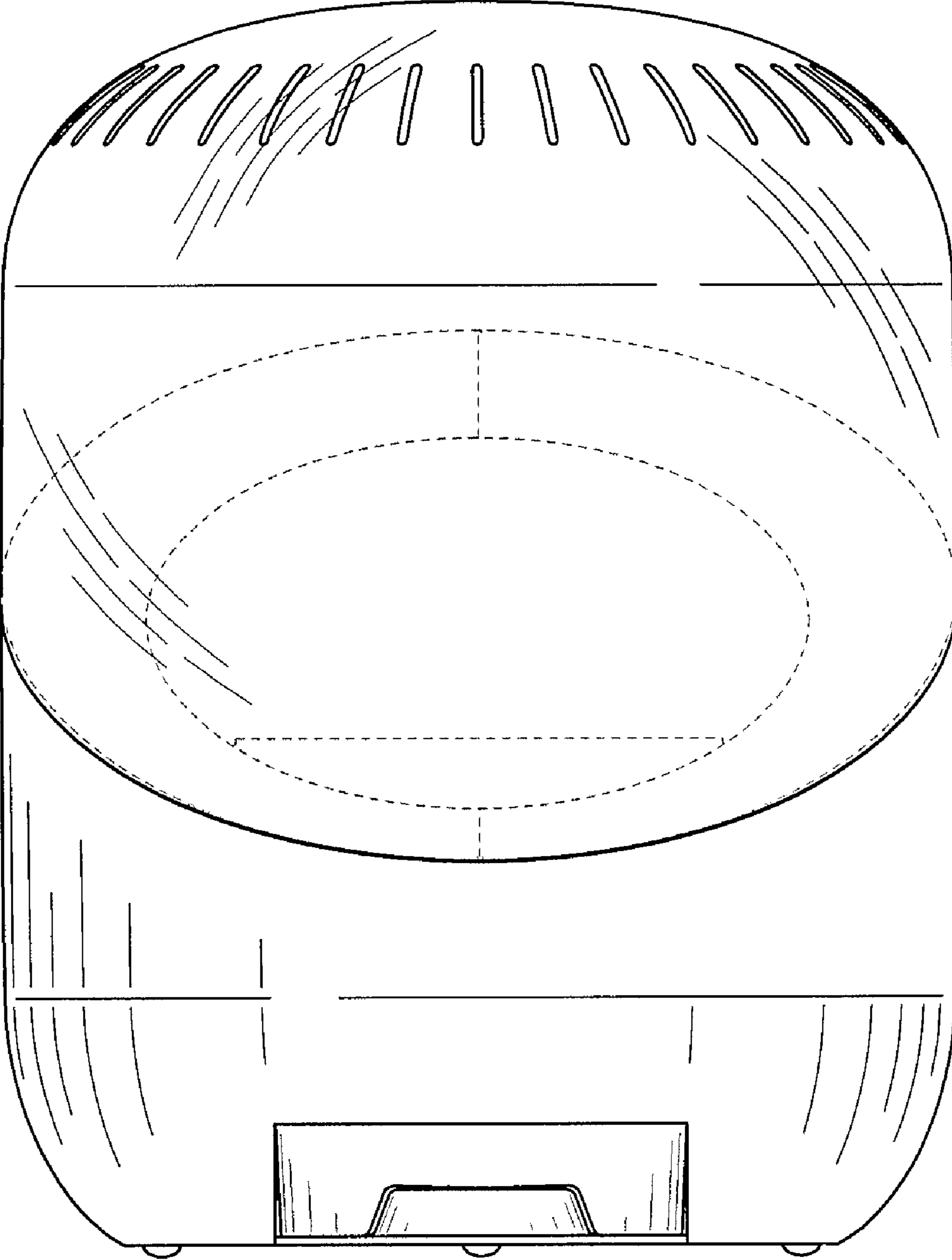


FIG. 3



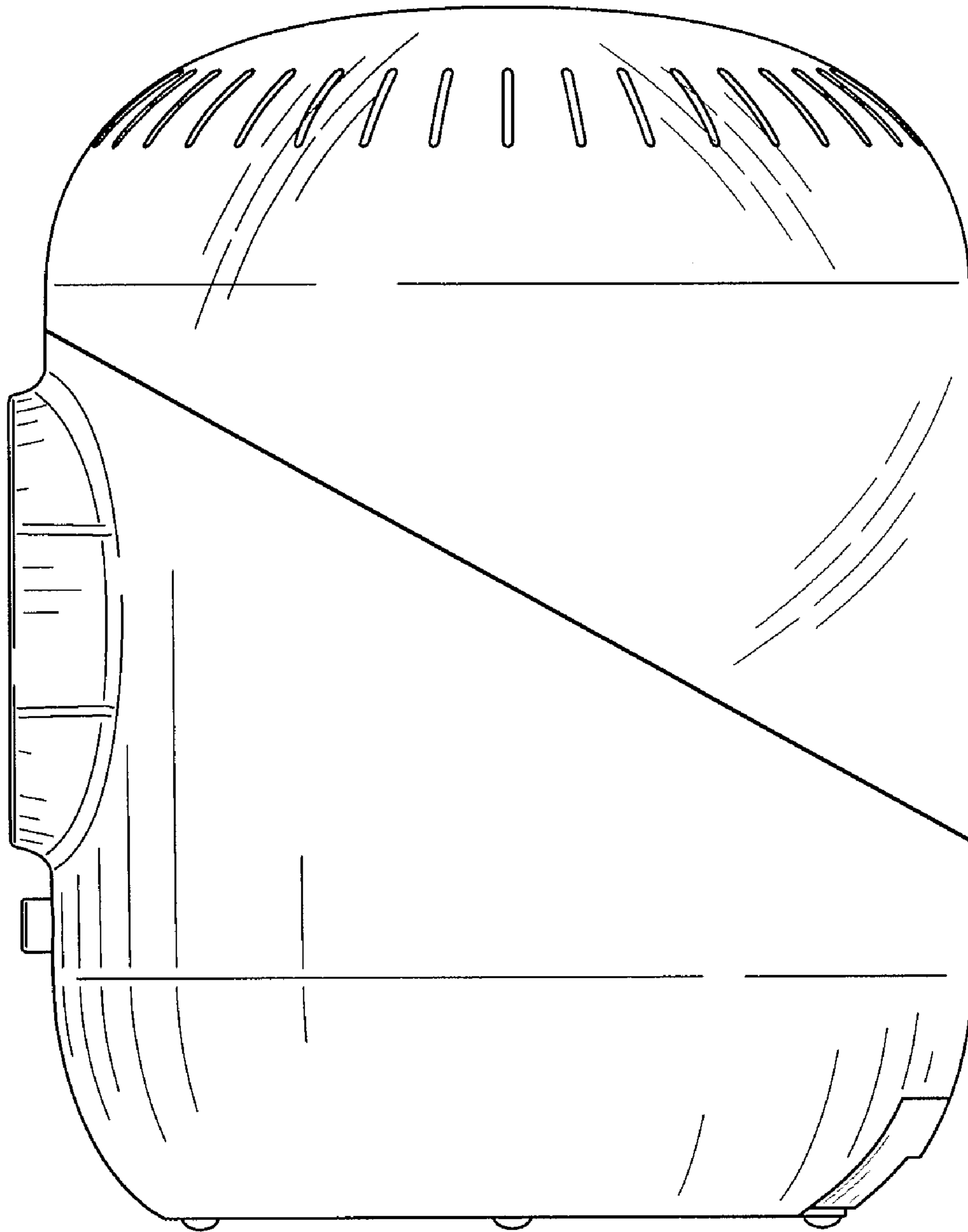


FIG. 4

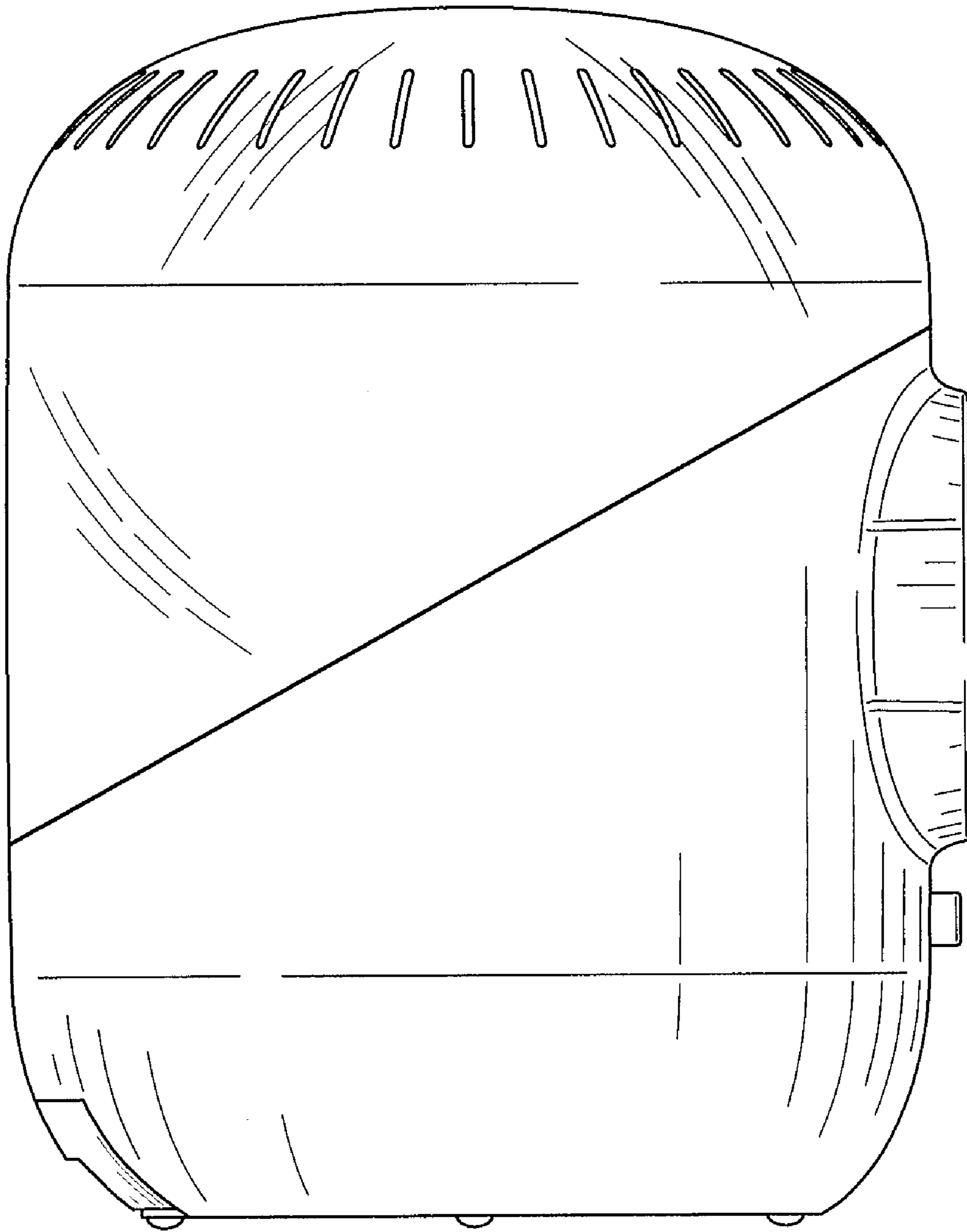


FIG. 5

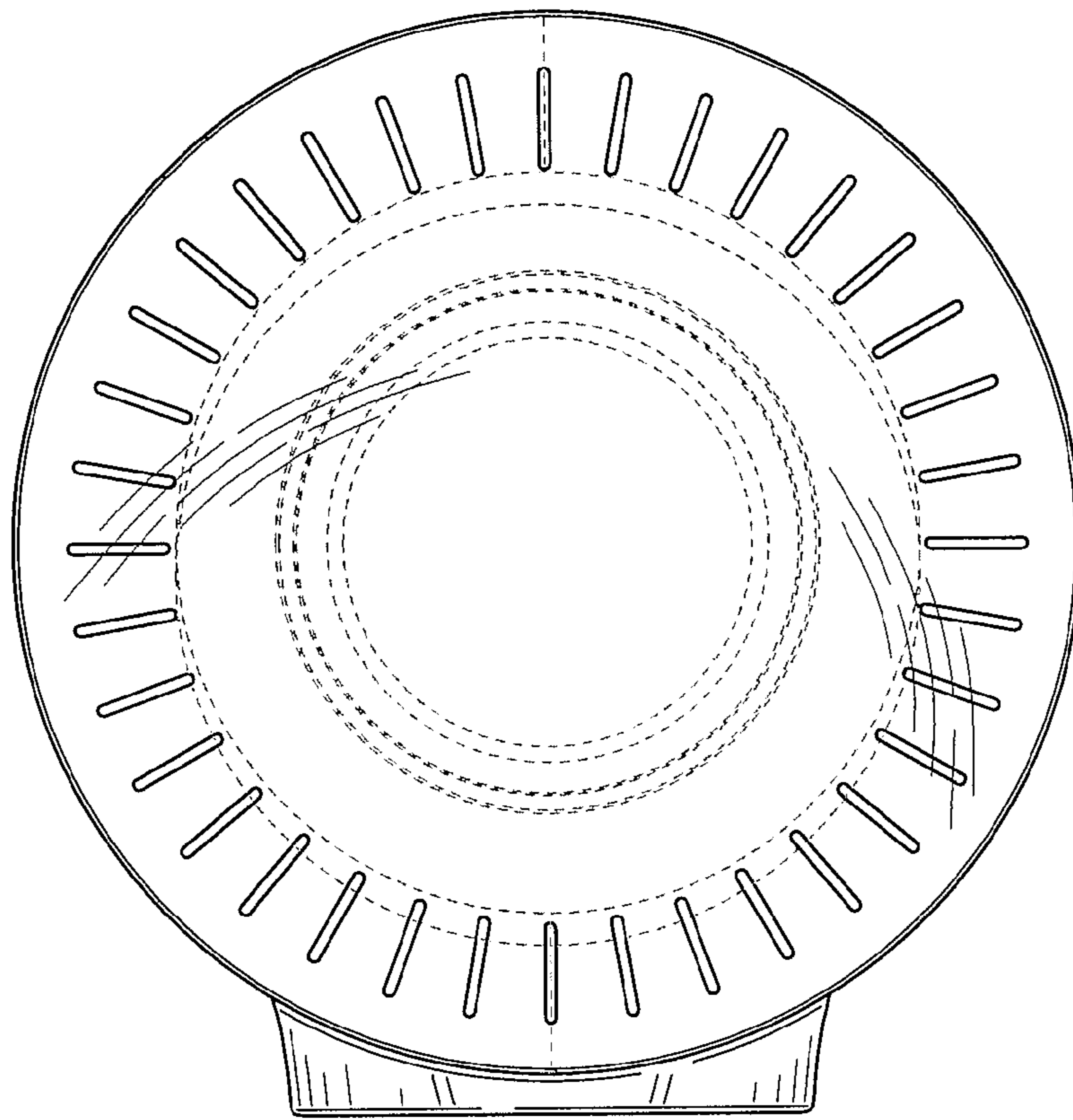


FIG. 6

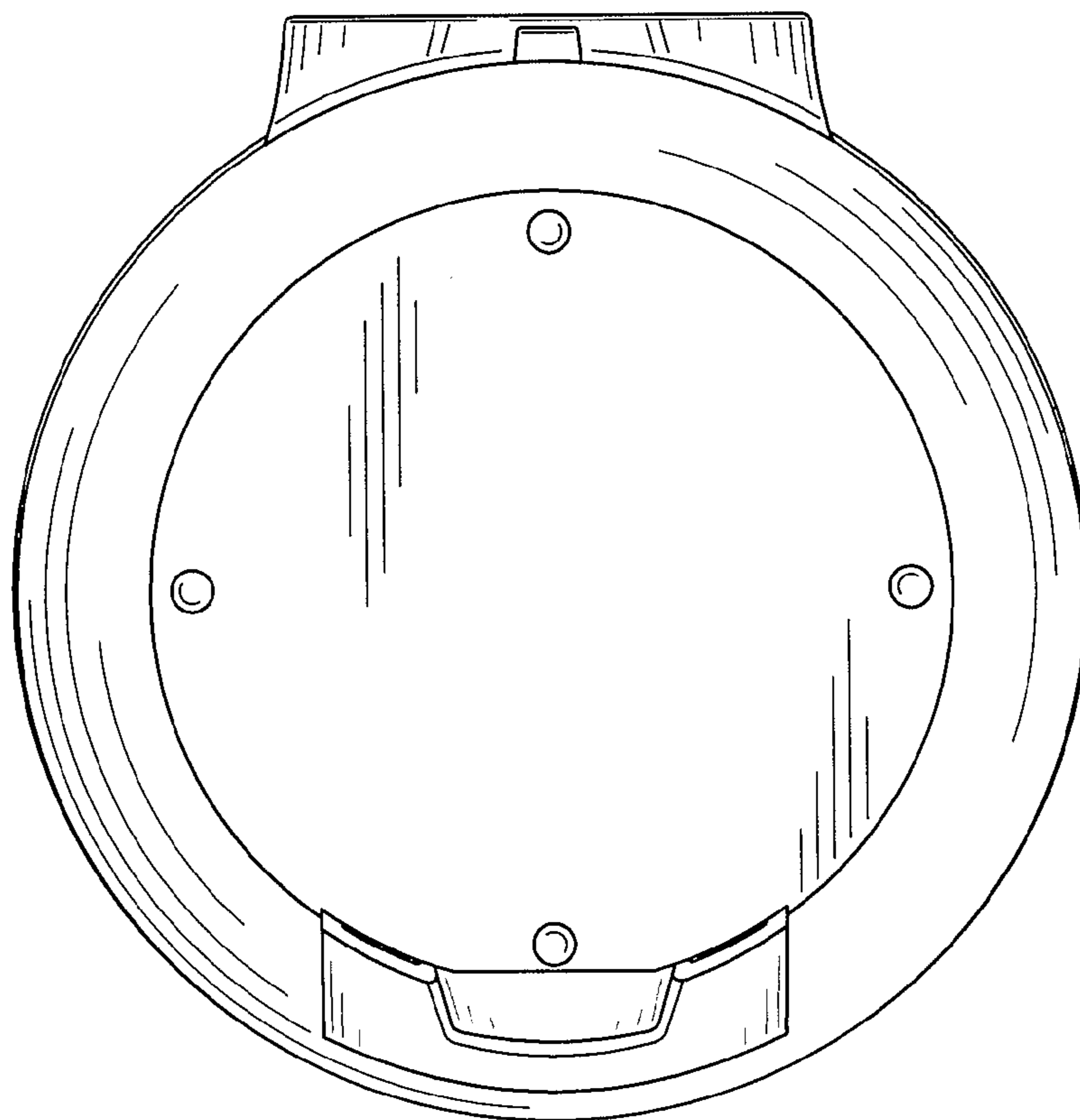


FIG. 7