



US00D621019S

(12) **United States Design Patent**
Kim et al.

(10) **Patent No.:** **US D621,019 S**
(45) **Date of Patent:** **** Aug. 3, 2010**

(54) **HUMIDIFIER WITH AIR CLEANING MEANS**

(75) Inventors: **Jae-Jun Kim**, Seoul (KR); **Ji-Hyeong Lee**, Seoul (KR)

(73) Assignee: **Samsung Electronics Co., Ltd.**,
Kyunggi-do (KR)

(**) Term: **14 Years**

(21) Appl. No.: **29/348,518**

(22) Filed: **Jan. 14, 2010**

(51) **LOC (9) Cl.** **23-04**

(52) **U.S. Cl.** **D23/356**

(58) **Field of Classification Search** D23/364,
D23/355, 356, 359, 360, 366, 369, 332, 333,
D23/335, 342, 351; 422/120, 122; 55/356,
55/473, 504; 96/97; D14/188, 170, 172,
D14/168; 261/DIG. 17, DIG. 65, DIG. 88,
261/DIG. 31; D18/34.6

See application file for complete search history.

(56) **References Cited**

U.S. PATENT DOCUMENTS

- D327,682 S * 7/1992 Shimazu D14/188
- D462,754 S * 9/2002 Briggs et al. D23/364
- D518,160 S * 3/2006 Normark D23/366
- D523,542 S 6/2006 Oh et al.
- D523,943 S 6/2006 Oh et al.
- D523,944 S 6/2006 Oh et al.
- D523,945 S 6/2006 Oh et al.
- D523,946 S 6/2006 Oh et al.
- D524,431 S 7/2006 Oh et al.
- D524,432 S 7/2006 Oh et al.
- D529,593 S 10/2006 Mishiro et al.
- D531,292 S 10/2006 Kim et al.
- D534,261 S 12/2006 Oh et al.
- D534,638 S 1/2007 Ryu et al.
- D537,512 S * 2/2007 Nakajima D23/359
- D539,405 S 3/2007 Jung et al.
- D539,883 S 4/2007 Lee et al.
- D539,890 S 4/2007 Jeong et al.
- D548,315 S * 8/2007 Lin et al. D23/364

- D551,652 S * 9/2007 Nakamura D14/168
- D556,879 S 12/2007 Lee
- D557,735 S * 12/2007 Ho et al. D18/34.6
- D557,781 S 12/2007 Kim et al.
- D558,318 S 12/2007 Choi et al.
- D558,868 S 1/2008 Choi
- D562,955 S 2/2008 Choi
- D566,254 S 4/2008 Lim
- D567,346 S * 4/2008 Lin D23/332
- D568,975 S 5/2008 Lim
- D568,976 S 5/2008 Choi et al.

(Continued)

OTHER PUBLICATIONS

U.S. Appl. No. 29/348,516, Applicant: Ji-Hyeong Lee, et al., filed Jan. 14, 2010 entitled Air Cleaner With Humidifying Means.

Primary Examiner—T. Chase Nelson

Assistant Examiner—David G Muller

(74) *Attorney, Agent, or Firm*—Flynn, Thiel, Boutell & Tanis, P.C.

(57) **CLAIM**

The ornamental design for a humidifier with air cleaning means, as shown and described.

DESCRIPTION

FIG. 1 is a top front perspective view of a humidifier with air cleaning means showing our new design;

FIG. 2 is a front elevational view thereof;

FIG. 3 is a rear elevational view thereof

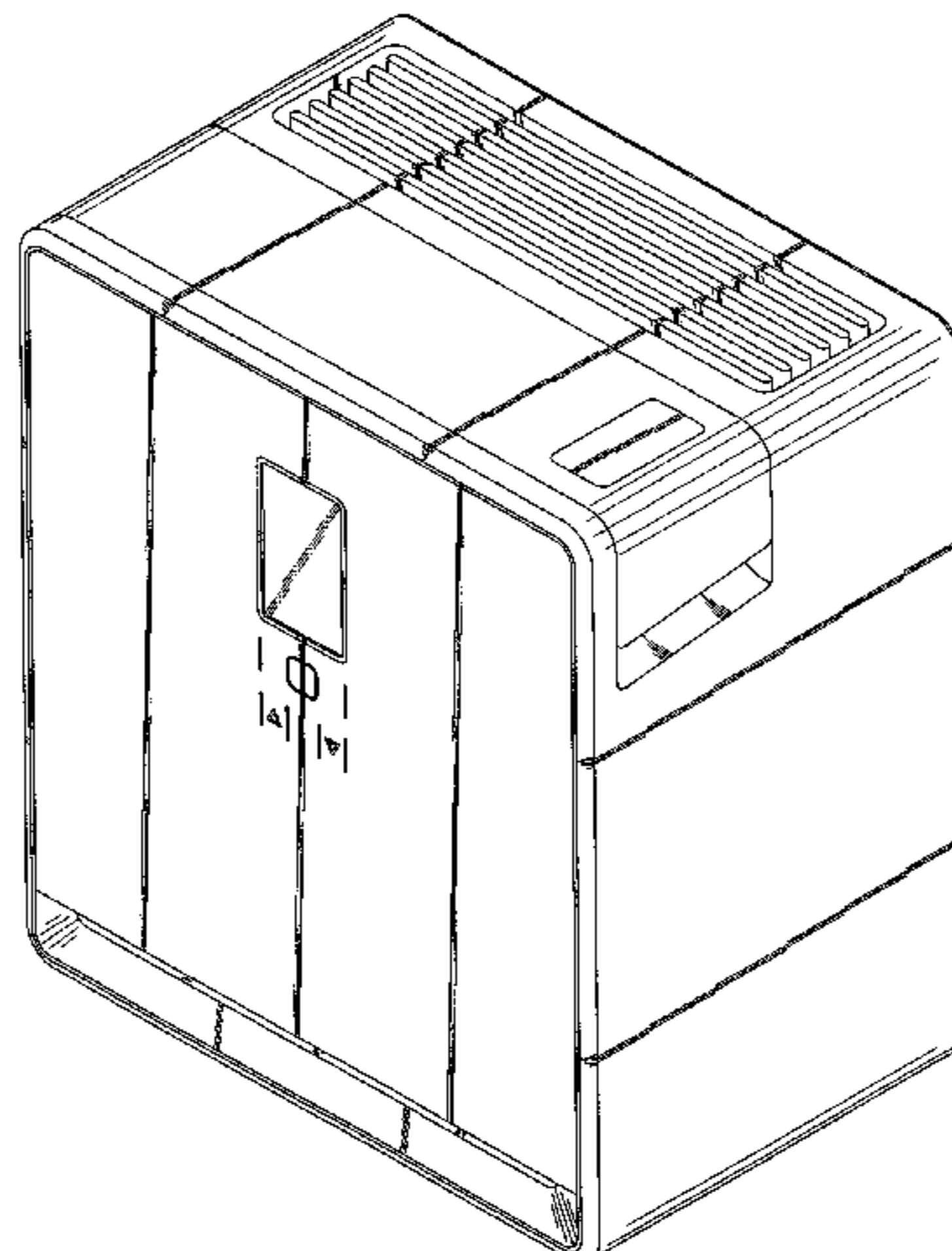
FIG. 4 is a left side elevational view thereof;

FIG. 5 is a right side elevational view thereof, the right side elevational view being a mirror image to the left side elevational view;

FIG. 6 is a top plan view thereof; and,

FIG. 7 is a bottom plan view thereof.

1 Claim, 6 Drawing Sheets



US D621,019 S

Page 2

U.S. PATENT DOCUMENTS

D570,464 S	*	6/2008	Normark	D23/364	D584,389 S	1/2009	Oh et al.	
D571,907 S		6/2008	Choi		D584,806 S	1/2009	Oh et al.	
D578,195 S		10/2008	Chun et al.		D590,487 S	*	4/2009	Chen
D580,534 S		11/2008	Oh et al.		D595,827 S	*	7/2009	Satou
D580,535 S		11/2008	Chun et al.		D600,336 S	*	9/2009	Lin
D580,536 S		11/2008	Oh et al.		D606,184 S	*	12/2009	Chiu

* cited by examiner

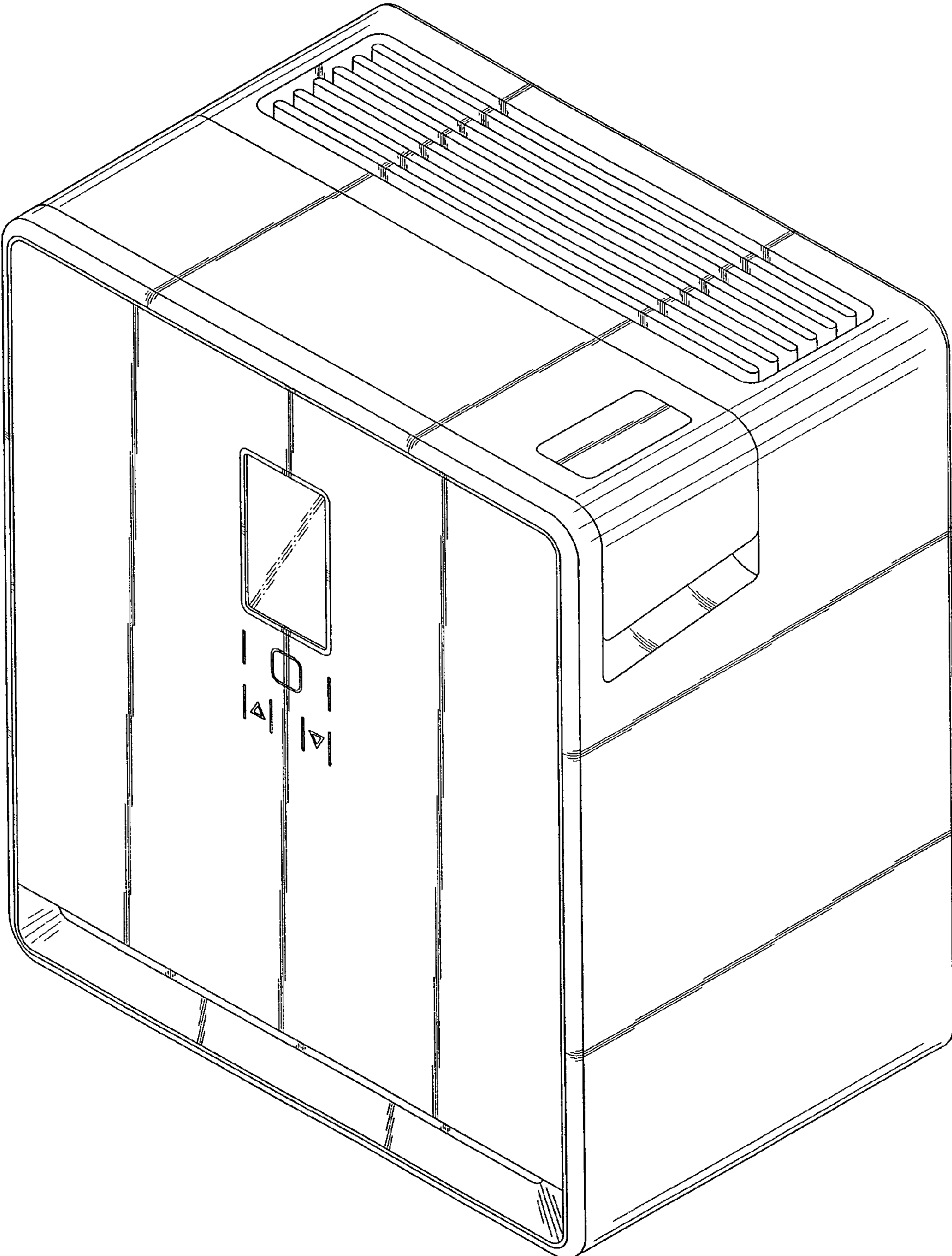


FIG. 1

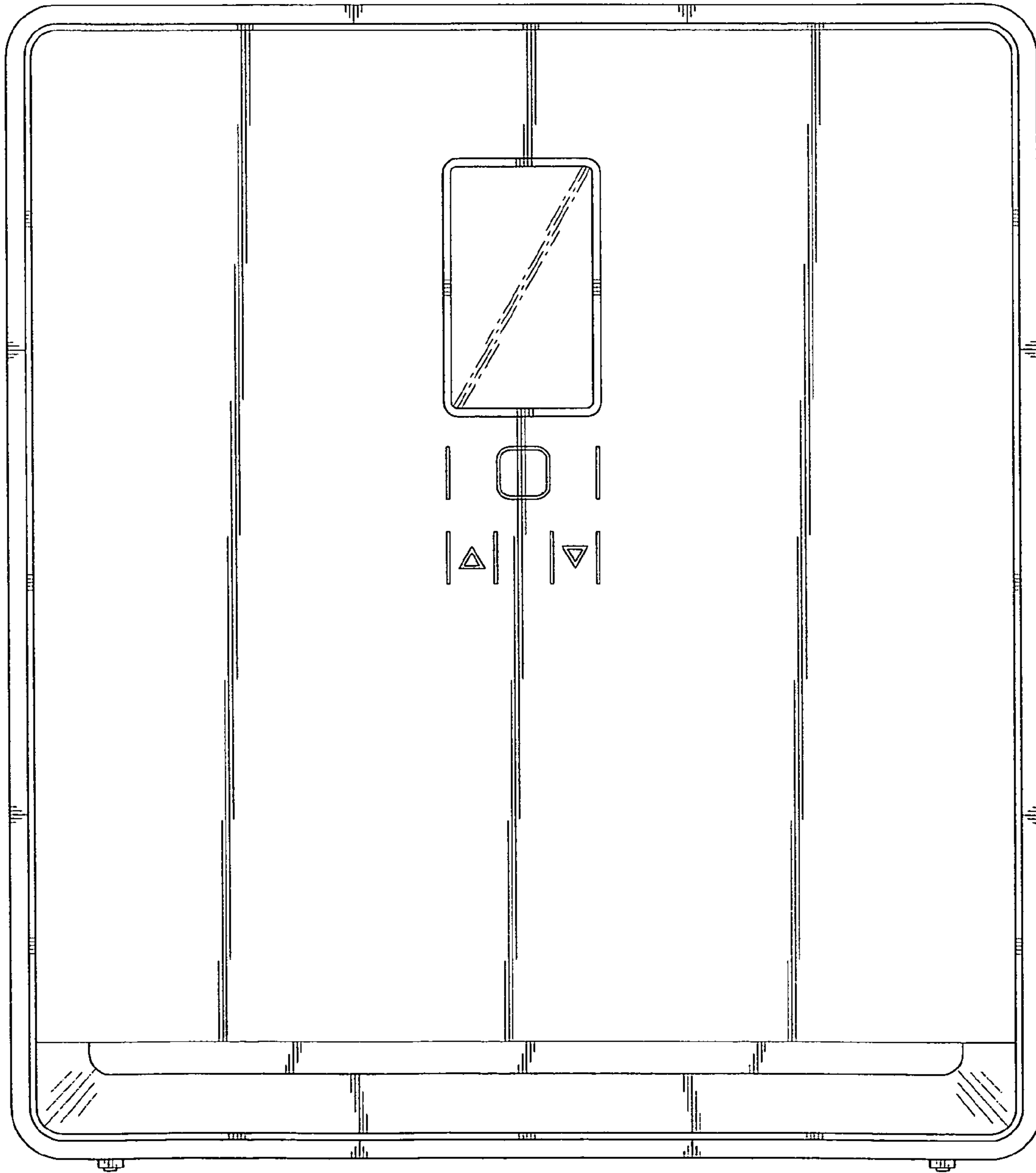


FIG. 2

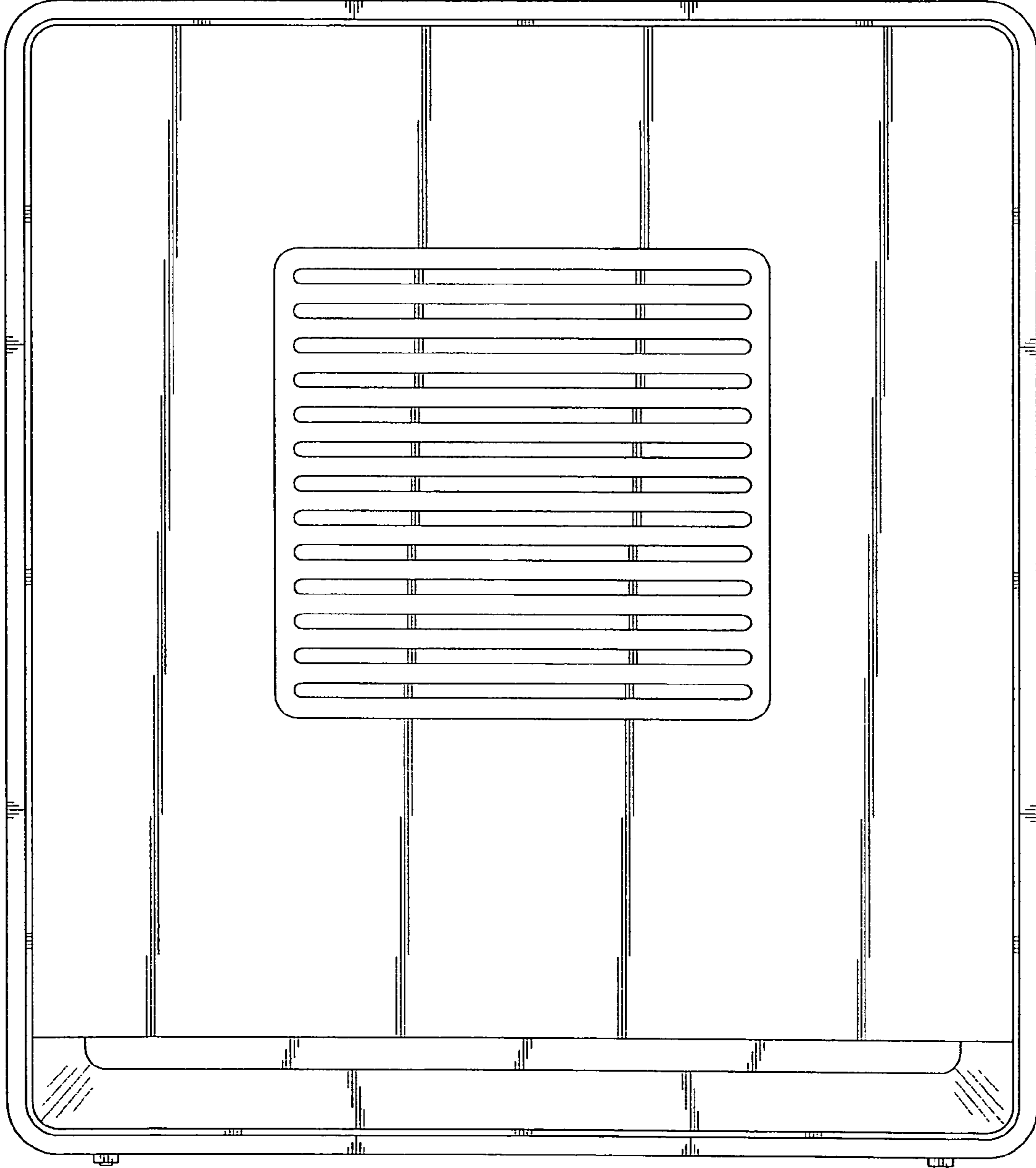


FIG. 3

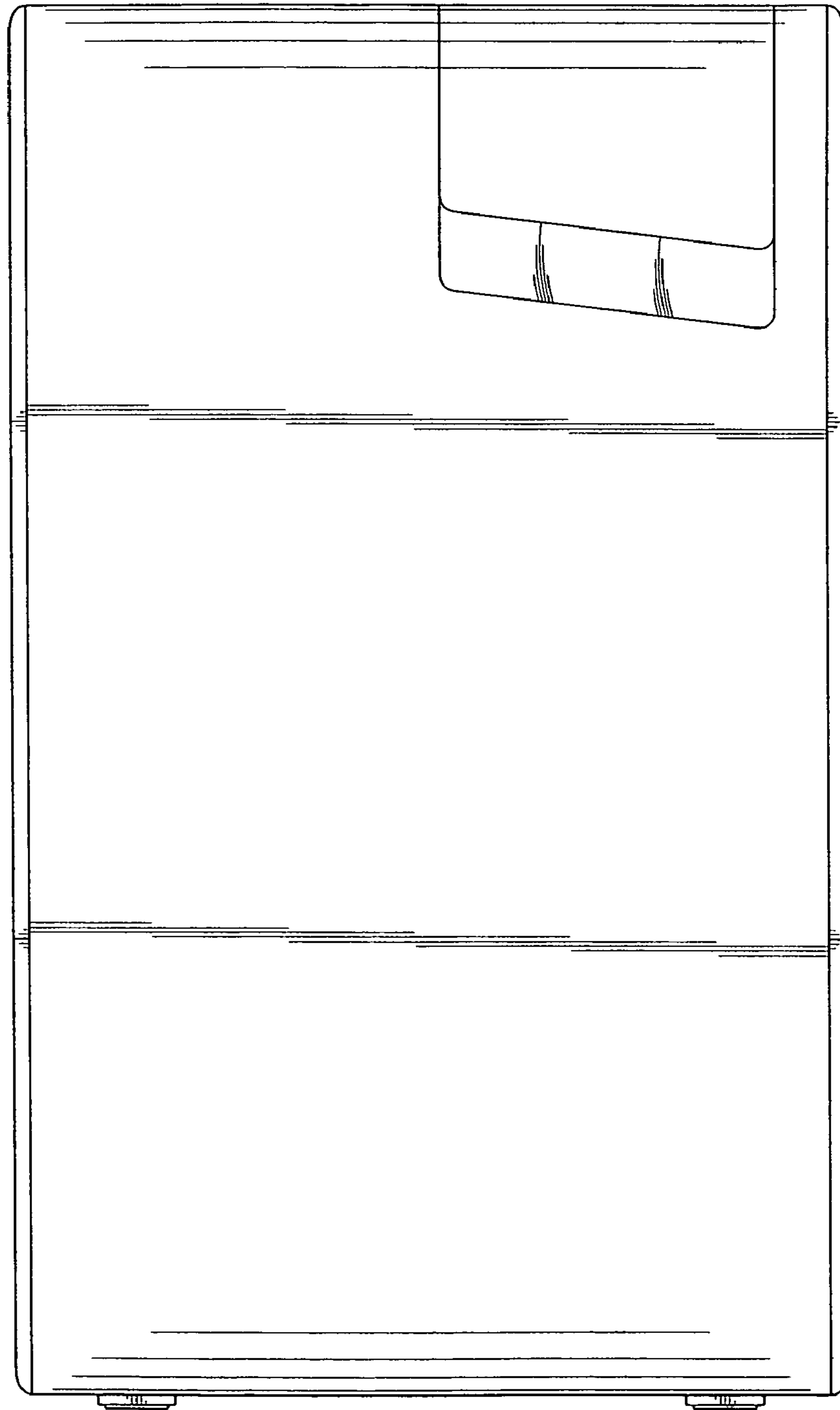


FIG. 4

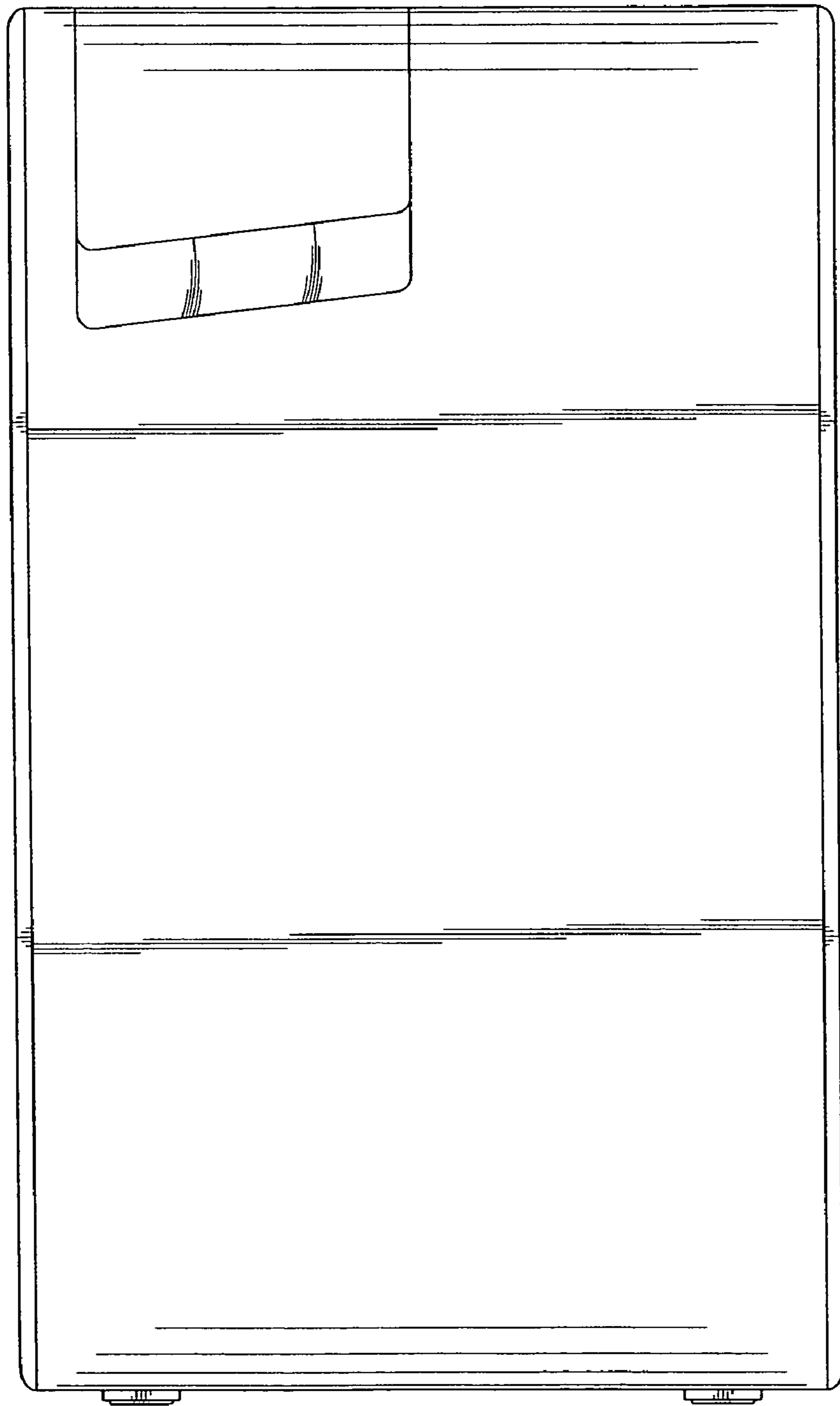


FIG. 5

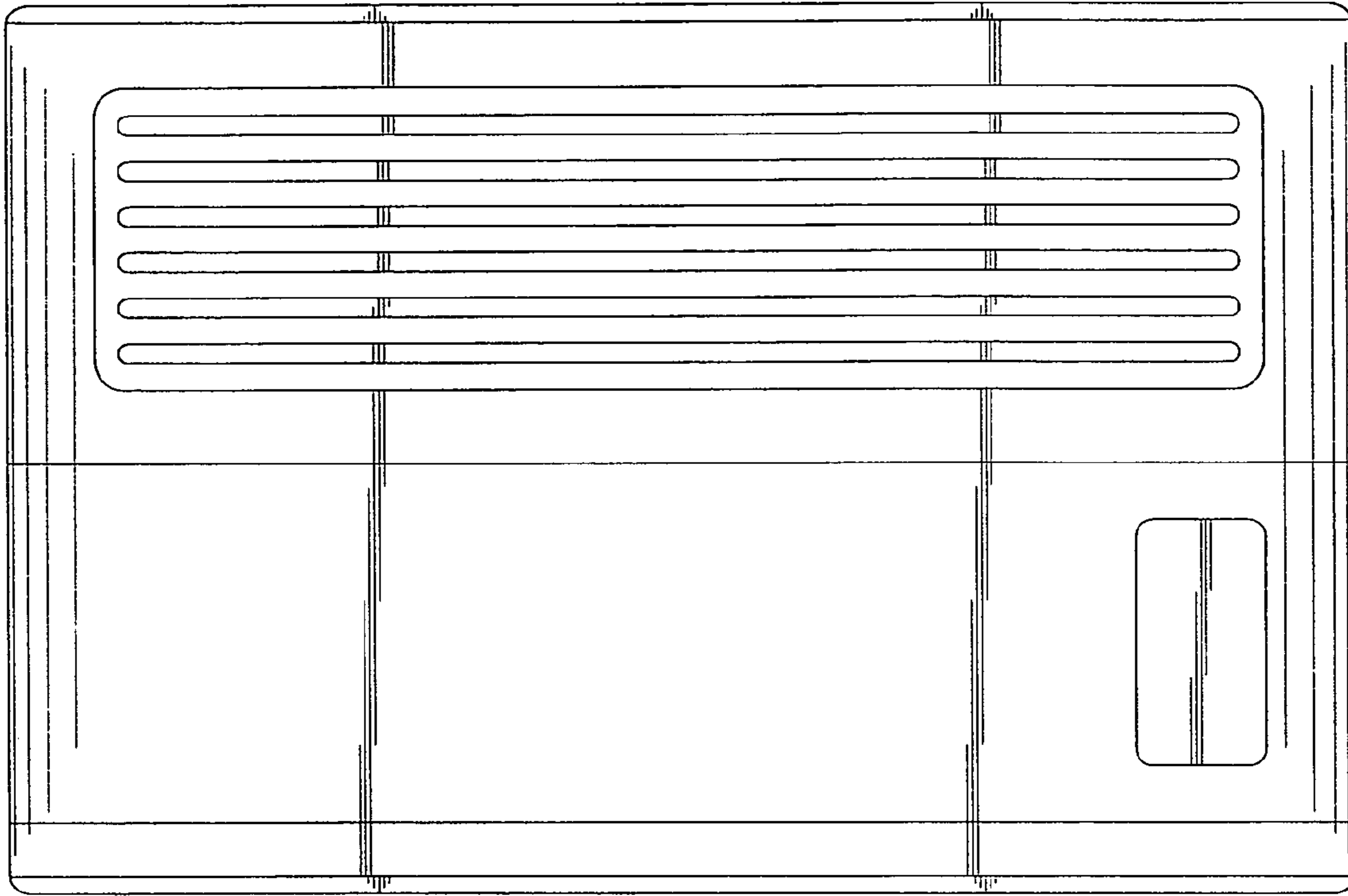


FIG. 6

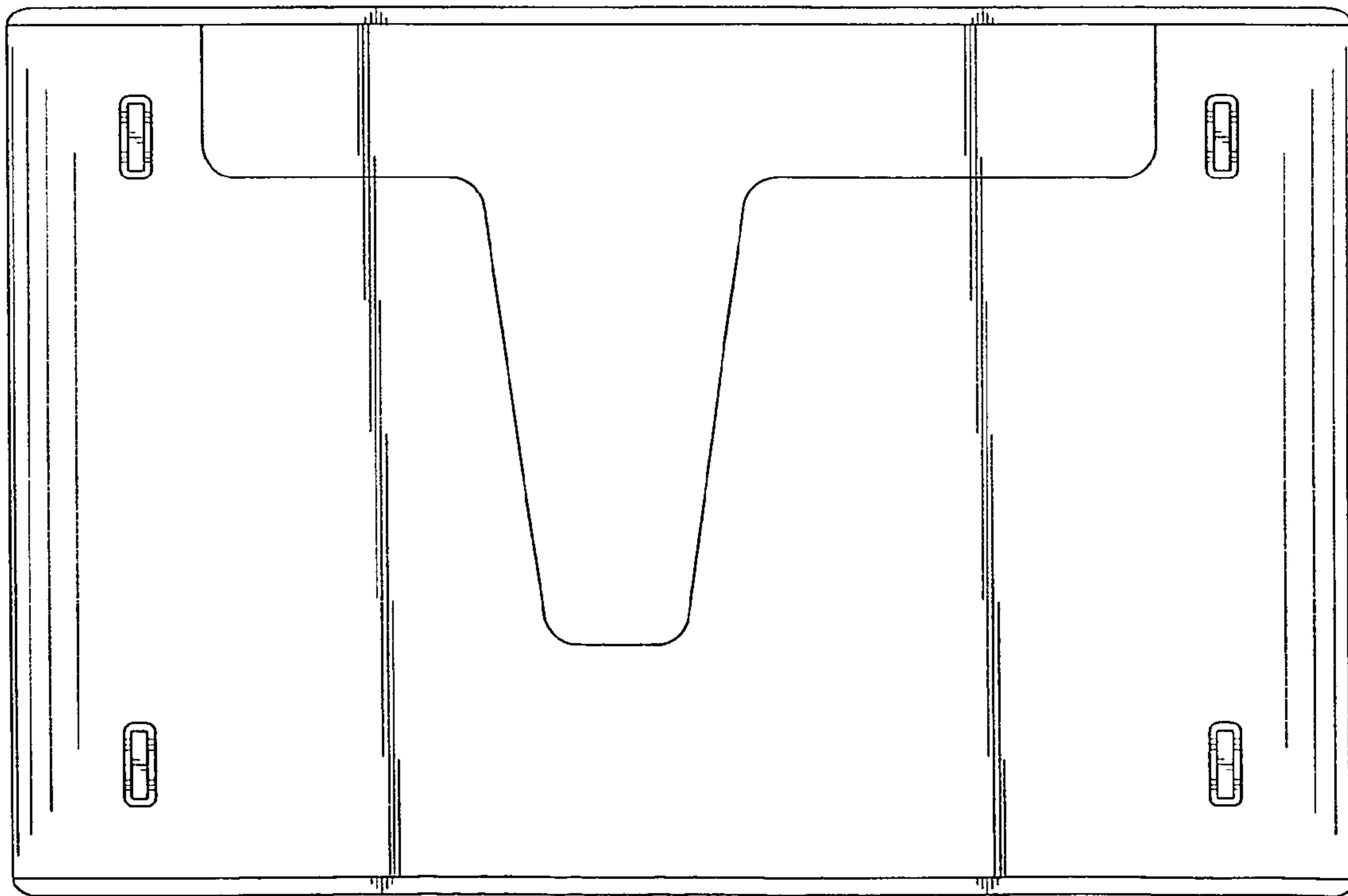


FIG. 7