



US00D621018S

(12) **United States Design Patent**
Nagahori et al.

(10) **Patent No.:** **US D621,018 S**

(45) **Date of Patent:** **** Aug. 3, 2010**

(54) **AIR CONDITIONER**

(75) Inventors: **Masataka Nagahori**, Chiyoda-ku (JP);
Takanori Miyake, Chiyoda-ku (JP); **Sou Nakai**, Chiyoda-ku (JP)

(73) Assignee: **Mitsubishi Electric Corporation**,
Tokyo (JP)

(**) Term: **14 Years**

(21) Appl. No.: **29/339,578**

(22) Filed: **Jul. 2, 2009**

(30) **Foreign Application Priority Data**

Feb. 20, 2009 (JP) 2009-003546

(51) **LOC (9) Cl.** **23-04**

(52) **U.S. Cl.** **D23/351**

(58) **Field of Classification Search** D23/351-354,
D23/385, 355, 357, 361; 312/236; 62/259.1,
62/259.4, 262-263, 304; 454/330-331, 349-350
See application file for complete search history.

(56) **References Cited**

U.S. PATENT DOCUMENTS

| | | | | |
|--------------|---------|-----------------|-------|---------|
| D529,595 S * | 10/2006 | Ueno et al. | | D23/351 |
| D553,721 S * | 10/2007 | Seki et al. | | D23/351 |
| D565,158 S * | 3/2008 | Nagahori | | D23/351 |
| D579,095 S * | 10/2008 | Nagahori et al. | | D23/351 |
| D580,037 S * | 11/2008 | Seki et al. | | D23/351 |
| D580,038 S * | 11/2008 | Seki et al. | | D23/351 |

| | | | | |
|--------------|---------|-----------------|-------|---------|
| D584,806 S * | 1/2009 | Oh et al. | | D23/351 |
| D593,666 S * | 6/2009 | Nakamura | | D23/351 |
| D599,455 S * | 9/2009 | Alexanderson | | D23/351 |
| D605,265 S * | 12/2009 | Nakamura et al. | | D23/351 |
| D605,266 S * | 12/2009 | Nakamura et al. | | D23/351 |
| D605,267 S * | 12/2009 | Nakamura et al. | | D23/351 |

* cited by examiner

Primary Examiner—Brian N Vinson

(74) *Attorney, Agent, or Firm*—Sughrue Mion, PLLC

(57) **CLAIM**

The ornamental design for an air conditioner, as shown and described.

DESCRIPTION

FIG. 1 is a bottom, front, and right side perspective view of an air conditioner showing our new design;

FIG. 2 is a front elevational view thereof;

FIG. 3 is a rear elevational view thereof;

FIG. 4 is a top plan view thereof;

FIG. 5 is a bottom plan view thereof;

FIG. 6 is a right side elevational view thereof;

FIG. 7 is a left side elevational view thereof; and,

FIG. 8 is an enlarged vertical cross-sectional view thereof taken in the direction of line 8—8 in FIG. 2, the broken-line disclosure of internal elements being understood to be part of the article in which the claimed design is embodied, but which forms no part of the claimed design.

1 Claim, 3 Drawing Sheets

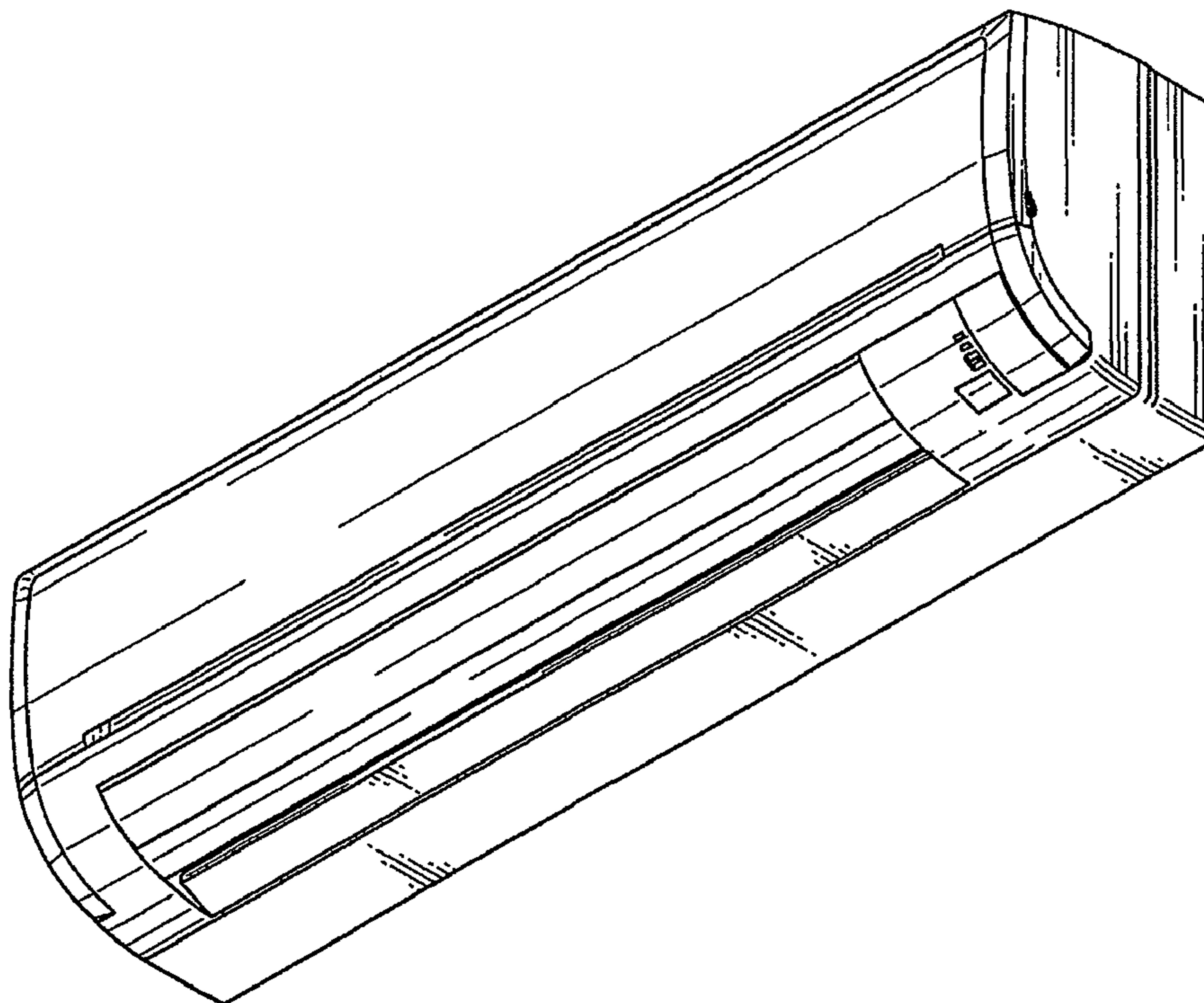


FIG. 1

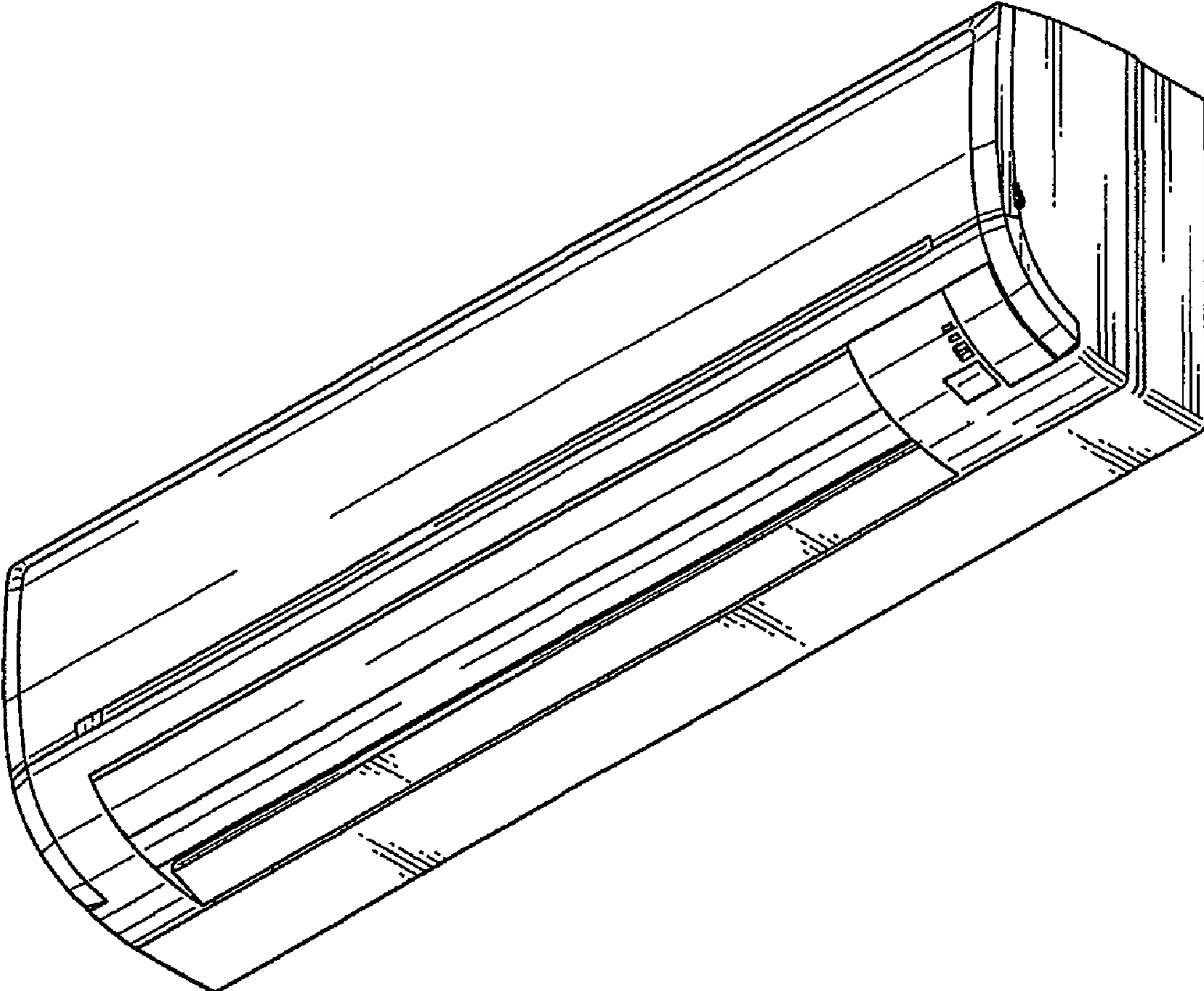
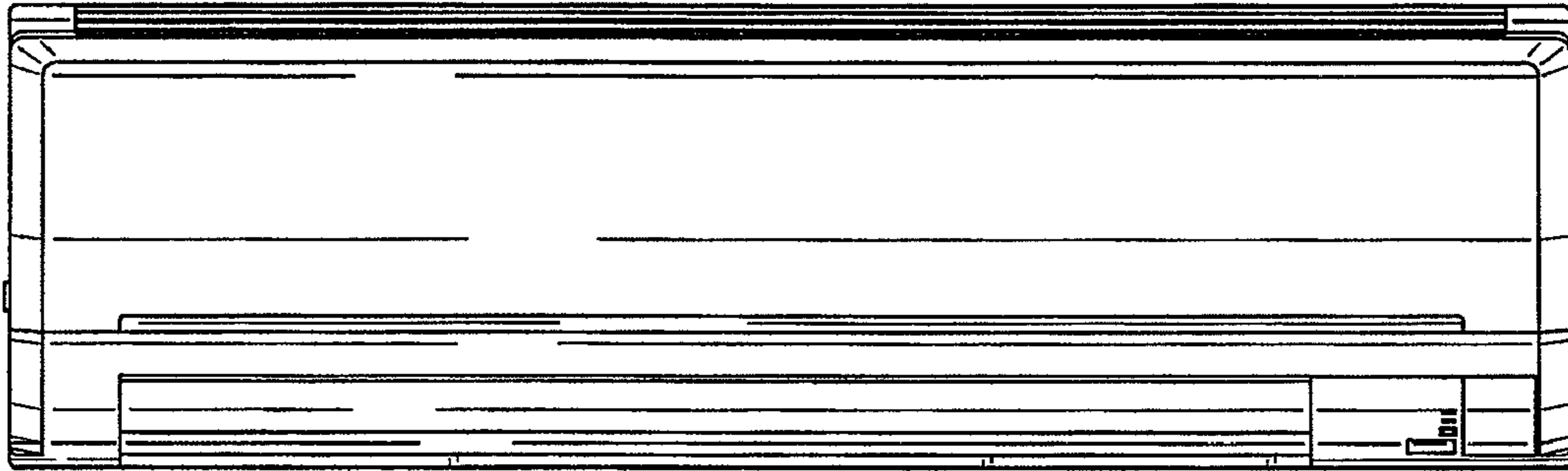


FIG.2

8 ←



8 ←

FIG.3

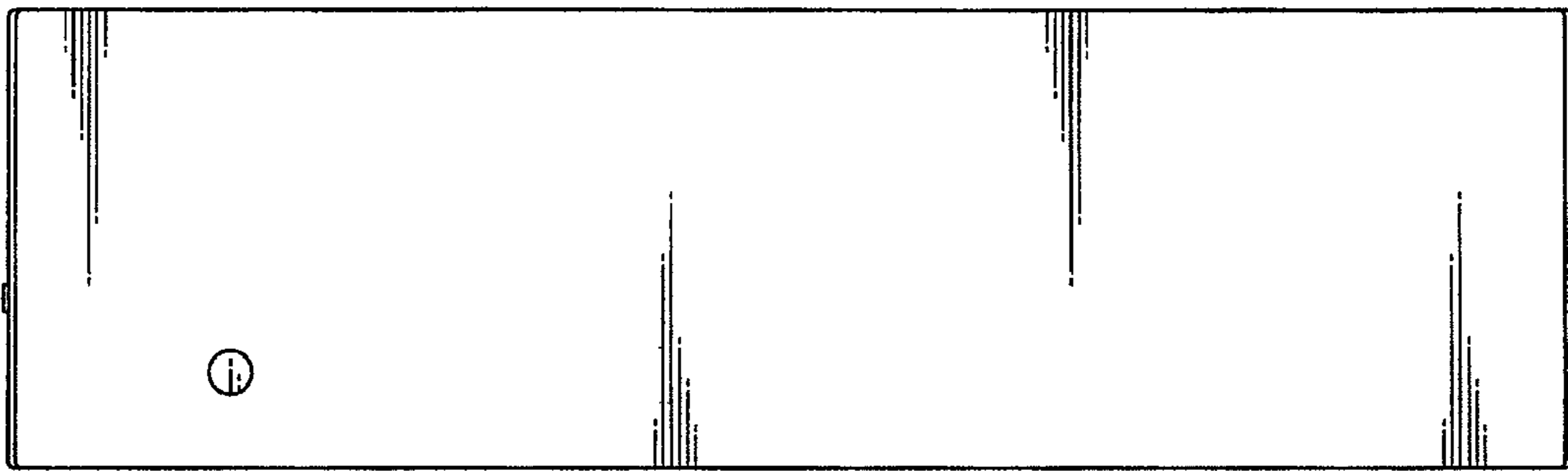


FIG.4

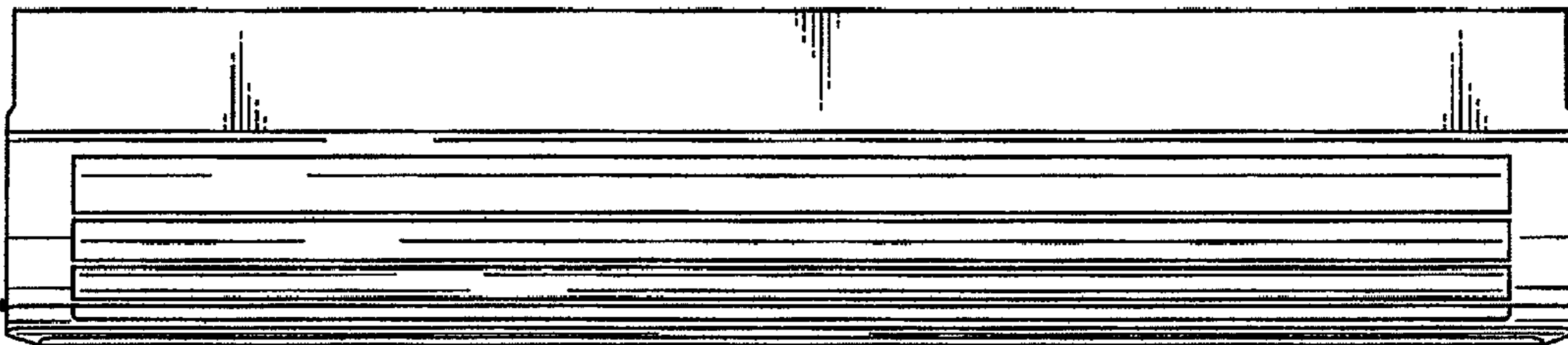


FIG.5

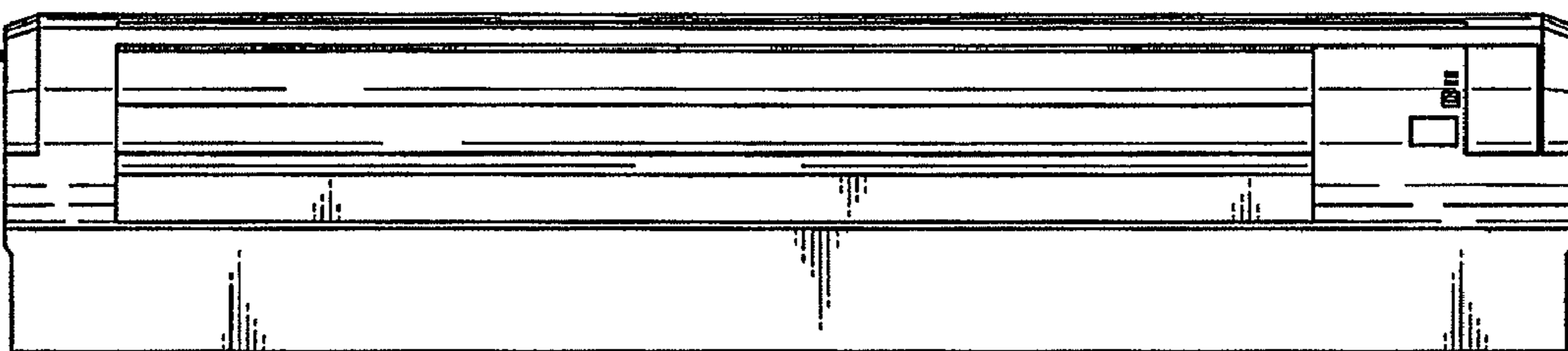


FIG.7

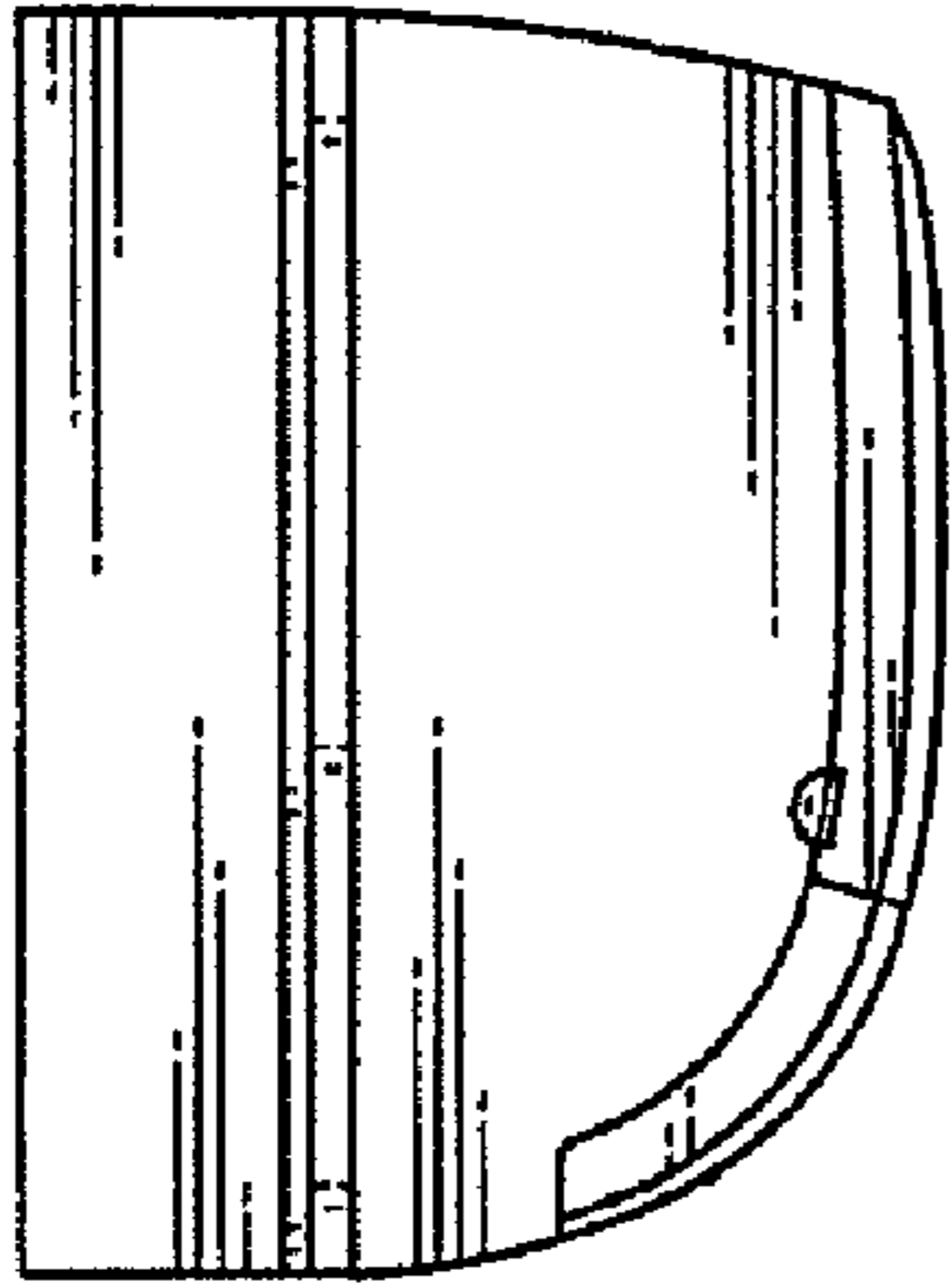


FIG.6

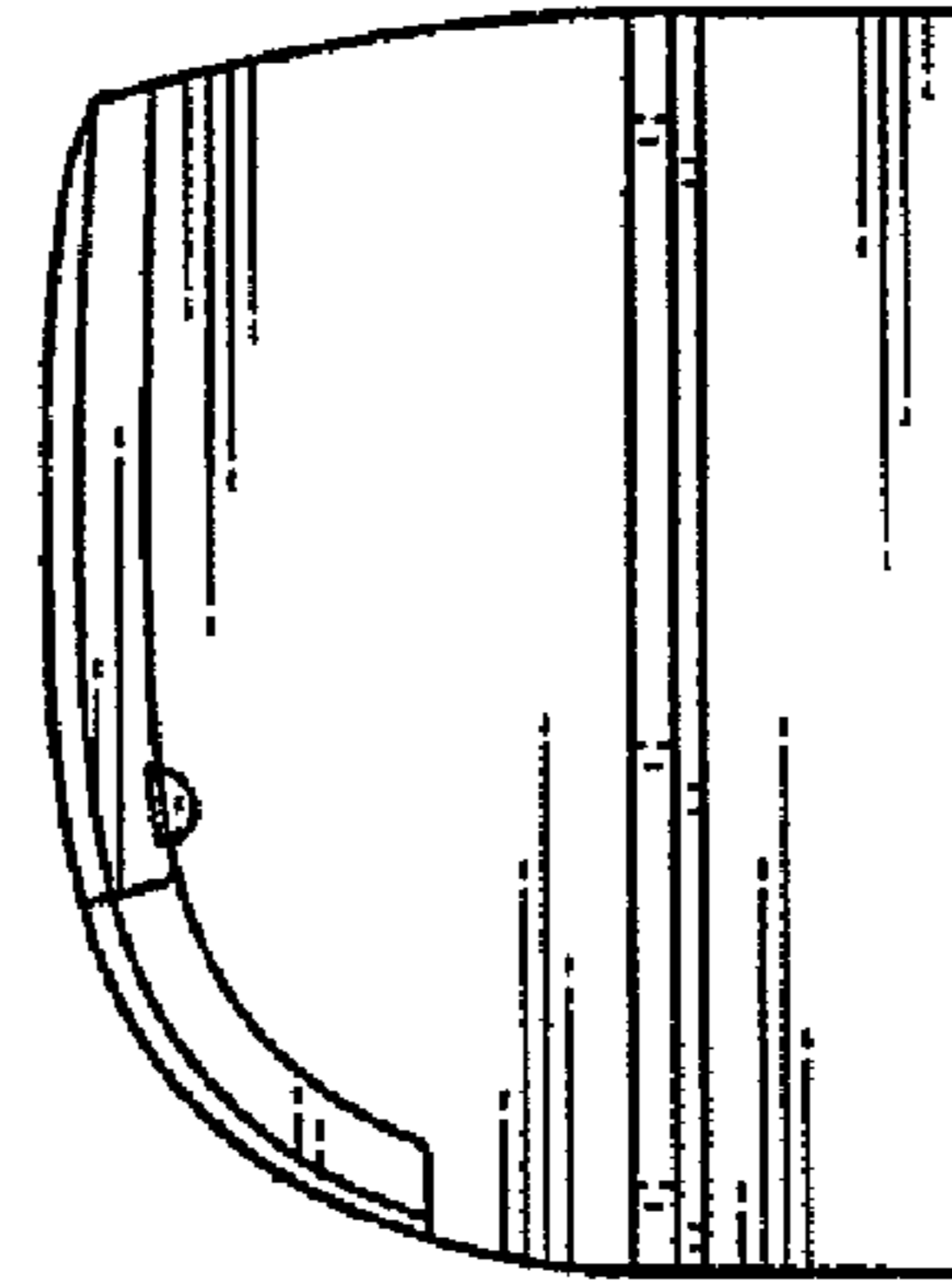


FIG.8

