



US00D621017S

(12) **United States Design Patent**
Quinn et al.

(10) **Patent No.:** **US D621,017 S**
(45) **Date of Patent:** **** Aug. 3, 2010**

(54) **AIR DRYER**

(75) Inventors: **Leonard A. Quinn**, Lagrange, OH (US);
Gregory Ashley, Amherst, OH (US)

(73) Assignee: **Bendix Commercial Vehicle Systems LLC**, Elyria, OH (US)

(**) Term: **14 Years**

(21) Appl. No.: **29/345,914**

(22) Filed: **Oct. 23, 2009**

Related U.S. Application Data

(62) Division of application No. 29/257,655, filed on Apr. 7, 2006, now Pat. No. Des. 604,821.

(51) **LOC (9) Cl.** **23-01**

(52) **U.S. Cl.** **D23/347**

(58) **Field of Classification Search** D23/332-350,
D23/355, 359, 365, 202, 205; 34/351, 80;
96/147; 55/385.3; 285/62, 913; 95/118
See application file for complete search history.

(56) **References Cited**

U.S. PATENT DOCUMENTS

D297,256 S	8/1988	Schwarz
D360,459 S	7/1995	Tschaeppler
5,622,544 A	4/1997	Shamine et al.
5,853,024 A	12/1998	Life

(Continued)

FOREIGN PATENT DOCUMENTS

EP 214373 A1 3/1987
(Continued)

OTHER PUBLICATIONS

Bendix Service Data SD-03-824, Bendix TC-7 Trailer Control Brake Valve, 4 pages, Mar. 2004, printed USA.
(Continued)

Primary Examiner—T. Chase Nelson
Assistant Examiner—Eric L Goodman
(74) *Attorney, Agent, or Firm*—Calfee, Halter & Griswold LLP

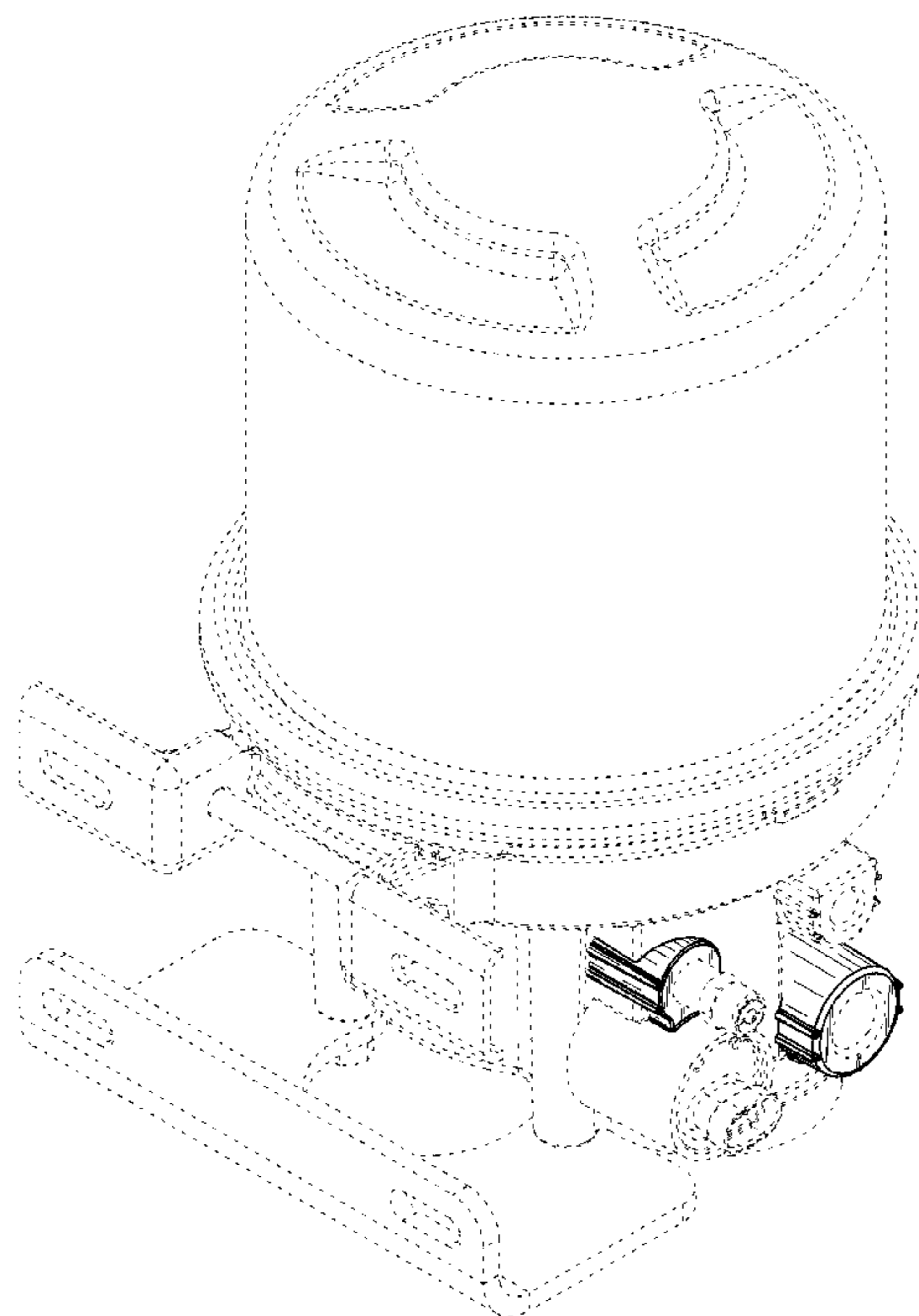
(57) **CLAIM**

We claim the ornamental design for an air dryer, as shown and described.

DESCRIPTION

FIG. 1 is a perspective view of an air dryer that is a first embodiment of the new design;
FIG. 2 is a first side view of the air dryer of FIG. 1;
FIG. 3 is a second side view of the air dryer of FIG. 1;
FIG. 4 is a third side view of the air dryer of FIG. 1;
FIG. 5 is a fourth view of the air dryer of FIG. 1;
FIG. 6 is a top view of the air dryer of FIG. 1; and,
FIG. 7 is a bottom view of the air dryer of FIG. 1.
The portions of the Figures shown in phantom lines are not part of the claimed design and are for illustration only.

1 Claim, 7 Drawing Sheets



US D621,017 S

Page 2

U.S. PATENT DOCUMENTS

6,701,709 B2 3/2004 Isaac, Jr. et al.
6,730,143 B1 5/2004 Nichols et al.
D495,036 S 8/2004 Fukai
D498,820 S 11/2004 Fukai
D499,172 S 11/2004 Tripp et al.
6,824,594 B2 11/2004 Larsson
7,878,194 4/2005 Hoffman et al.
D513,786 S 1/2006 Montano et al.
D518,874 S 4/2006 Takeda et al.
D519,188 S 4/2006 Hay
7,100,305 B2 9/2006 Hoffman et al.
D542,888 S 5/2007 Ye et al.
D546,419 S 7/2007 Steinberg
D546,920 S 7/2007 Fulkerson
7,273,072 B2 9/2007 Muller
D570,880 S 6/2008 Miller et al.
D574,940 S 8/2008 Quinn et al.
D578,549 S 10/2008 Nimberger
7,469,708 B2 12/2008 Koester
7,544,234 B2* 6/2009 Fornof 96/117.5

D597,630 S 8/2009 Easton
7,568,496 B2 8/2009 Kraenzle
D604,821 S * 11/2009 Quinn et al. D23/347
D606,163 S 12/2009 Bobby et al.
D607,087 S 12/2009 Bobby et al.
2002/0017283 A1 2/2002 Furuya
2004/0083893 A1 5/2004 Larsson
2007/0084348 A1 4/2007 Hoffman et al.
2008/0307965 A1* 12/2008 Hoffman et al. 95/119
2009/0199523 A1* 8/2009 Hilberer 55/385.3

FOREIGN PATENT DOCUMENTS

WO 8911054 A1 11/1989

OTHER PUBLICATIONS

Bendix Service Data SD-03-821, Bendix TC-6 Trailer Control Brake Valve, 4 pages, Mar. 2004, printed USA.
Bendix Air System Components 03, Brake Valves, 5 pages, Mar. 2004, printed USA.

* cited by examiner

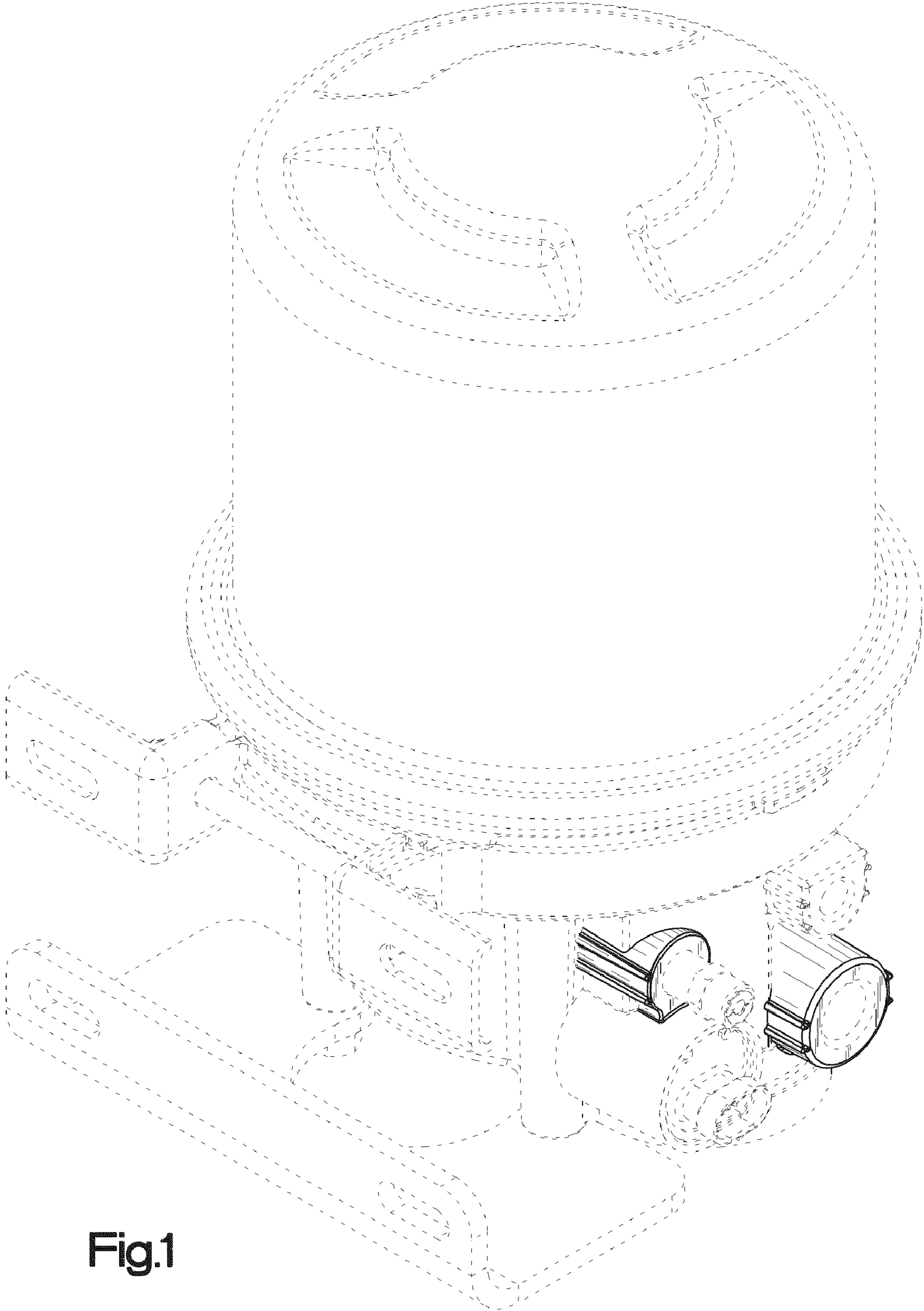


Fig.1

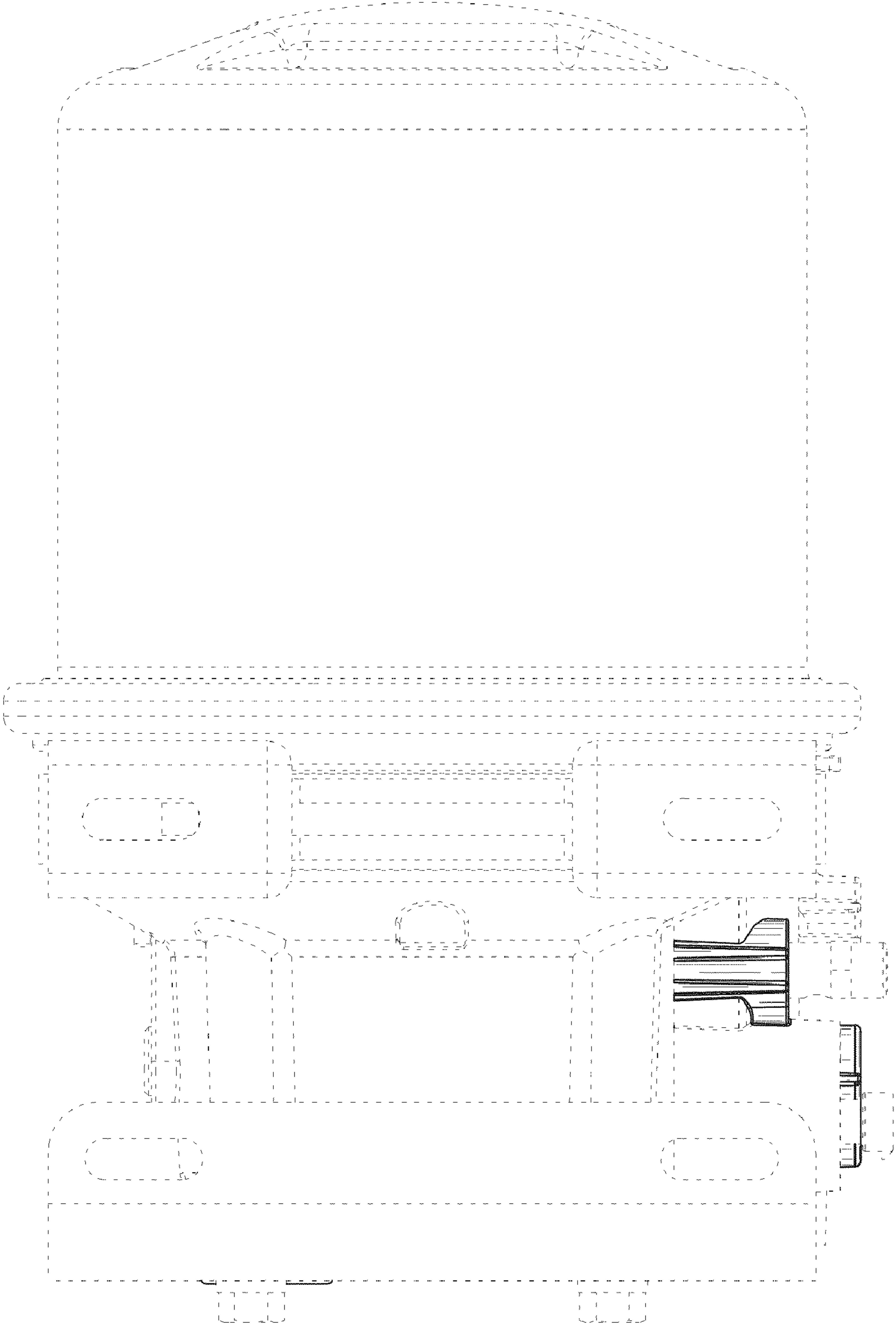


Fig.2

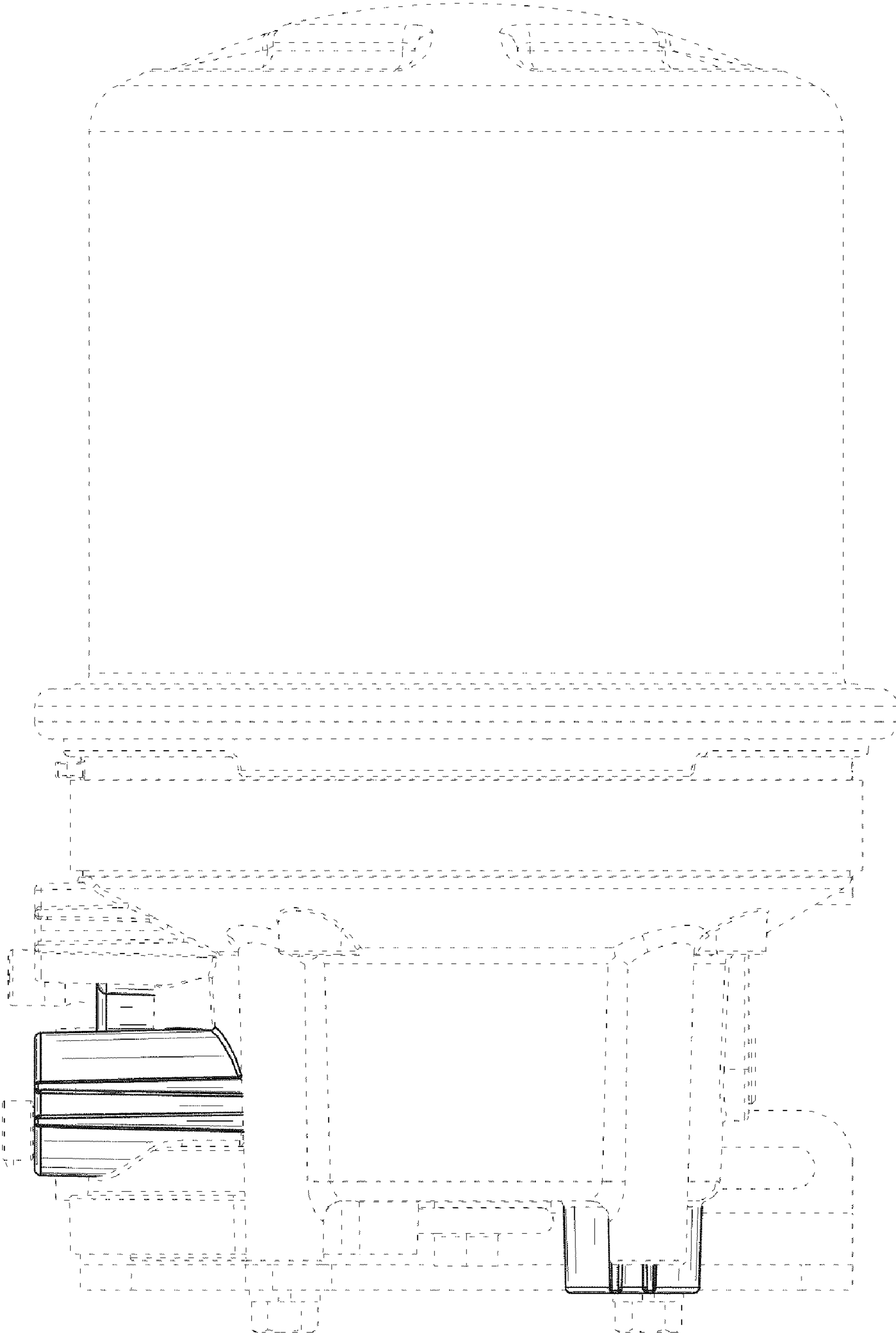


Fig.3

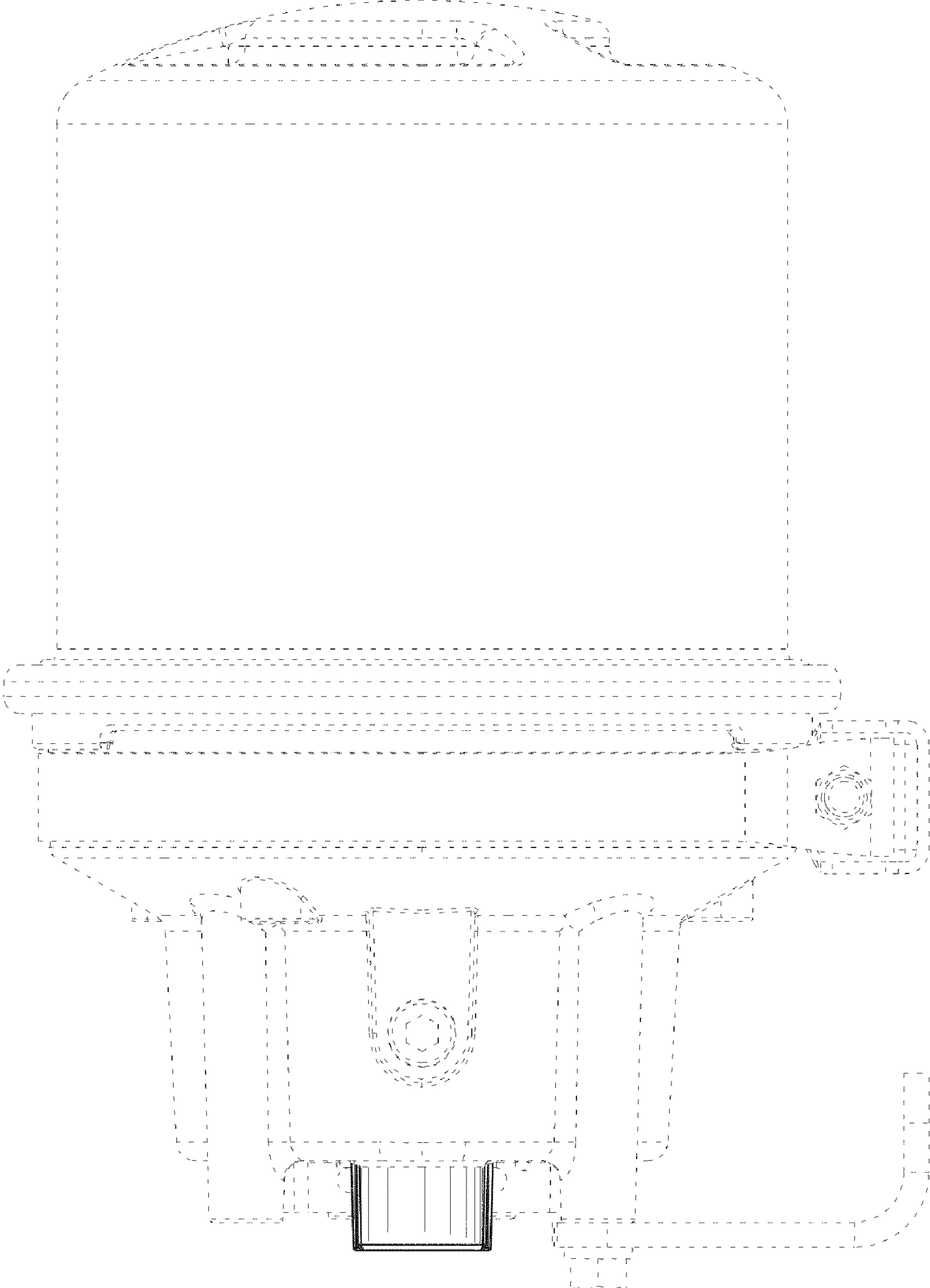


Fig.4

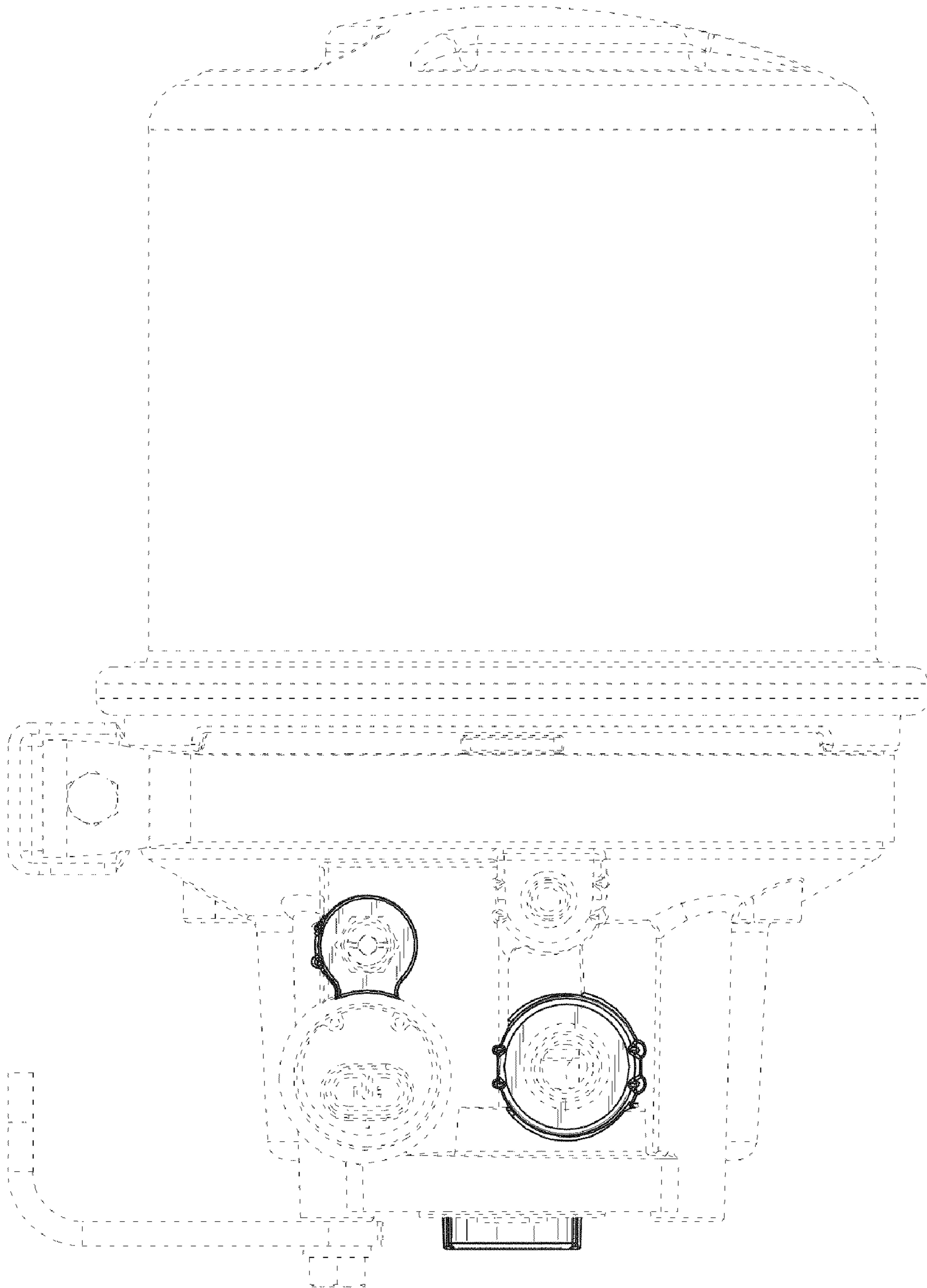


Fig.5

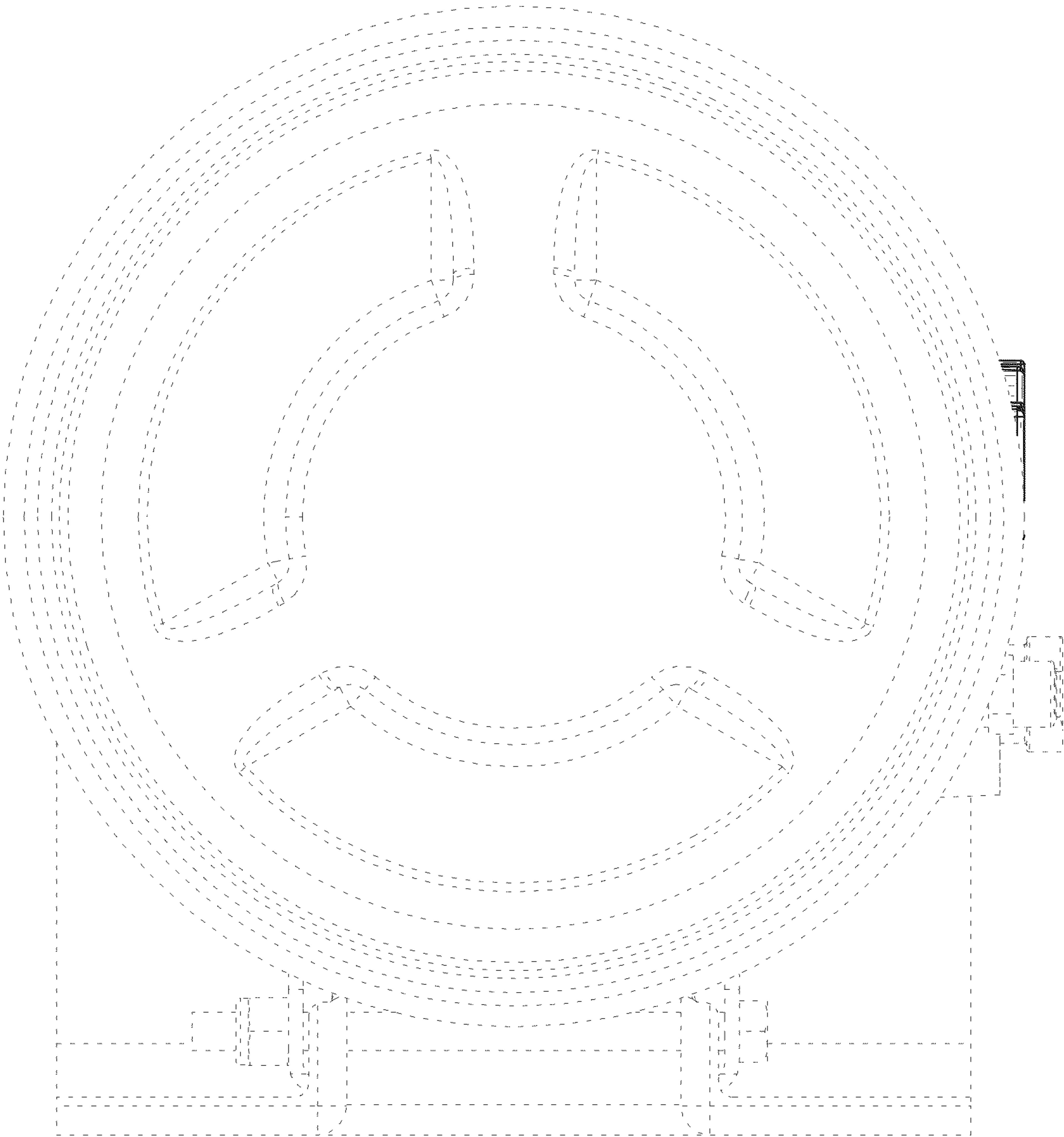


Fig.6

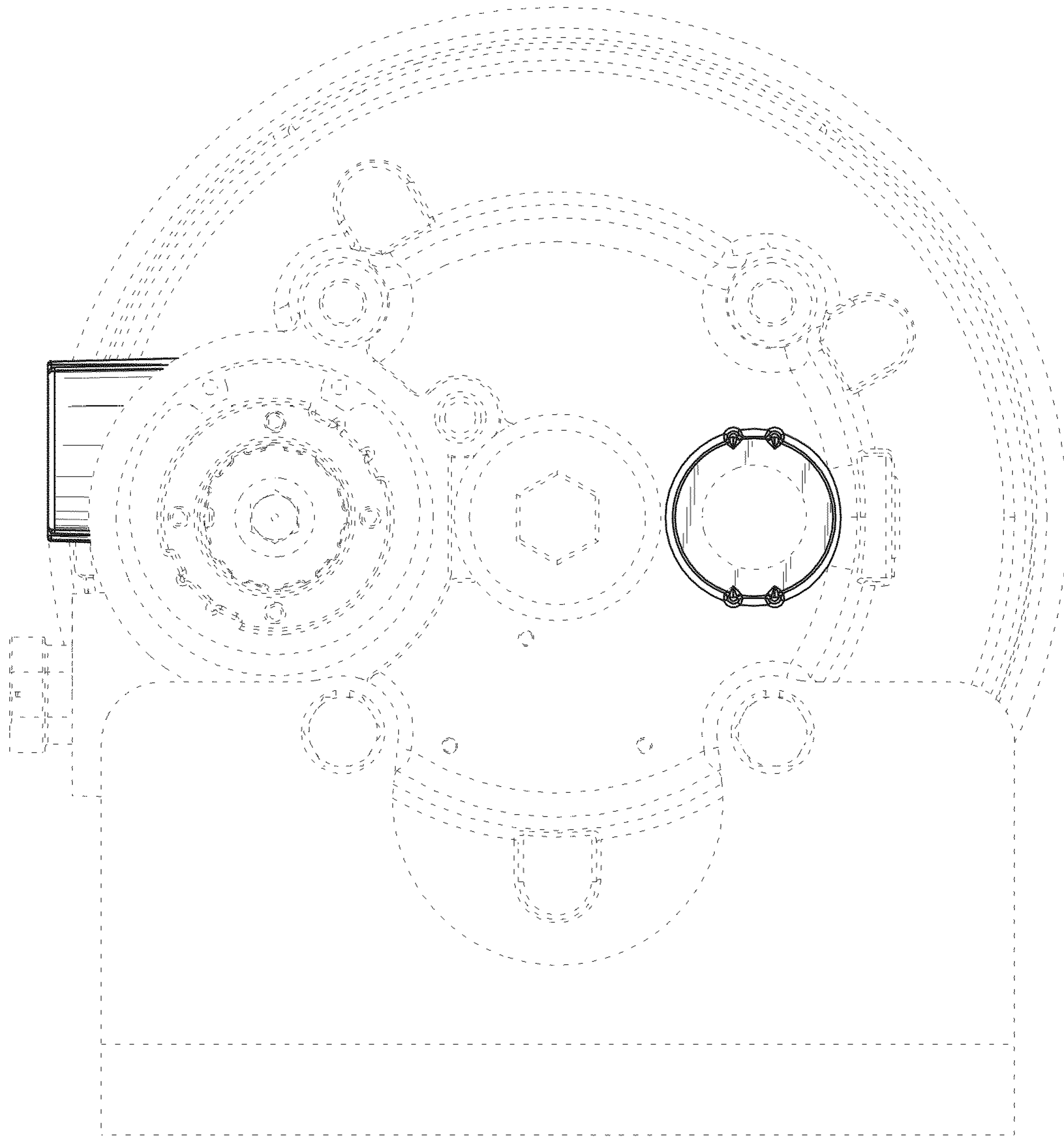


Fig.7