



US00D621016S

(12) **United States Design Patent**
Garcia

(10) **Patent No.:** **US D621,016 S**

(45) **Date of Patent:** **** Aug. 3, 2010**

(54) **RADIATOR FOR HEATING**

(75) Inventor: **Pedro Luis Llana Garcia**, Asturias (ES)

(73) Assignee: **Climaster Global Company, S.L.**,
Asturias (ES)

(**) Term: **14 Years**

(21) Appl. No.: **29/336,369**

(22) Filed: **May 1, 2009**

(30) **Foreign Application Priority Data**

Nov. 26, 2008 (EM) 001046106

(51) **LOC (9) Cl.** **23-03**

(52) **U.S. Cl.** **D23/330**

(58) **Field of Classification Search** D23/317,
D23/314, 332, 333, 334, 335, 337, 342, 351,
D23/355, 378, 370, 381, 364, 336, 341, 330;
416/244 R, 247 R, 53.1-53.3; 392/365, 367
See application file for complete search history.

(56) **References Cited**

U.S. PATENT DOCUMENTS

D191,086 S * 8/1961 Wahlstorm D23/335
D240,827 S * 8/1976 Hill D23/351

D287,750 S * 1/1987 Hamalainen D23/342
D298,771 S * 11/1988 DeMars D23/314
D306,757 S * 3/1990 Lane D23/335
D325,962 S * 5/1992 Dubin et al. D23/335

* cited by examiner

Primary Examiner—T. Chase Nelson
Assistant Examiner—Ania K Dworzecka
(74) *Attorney, Agent, or Firm*—Fish & Richardson P.C.

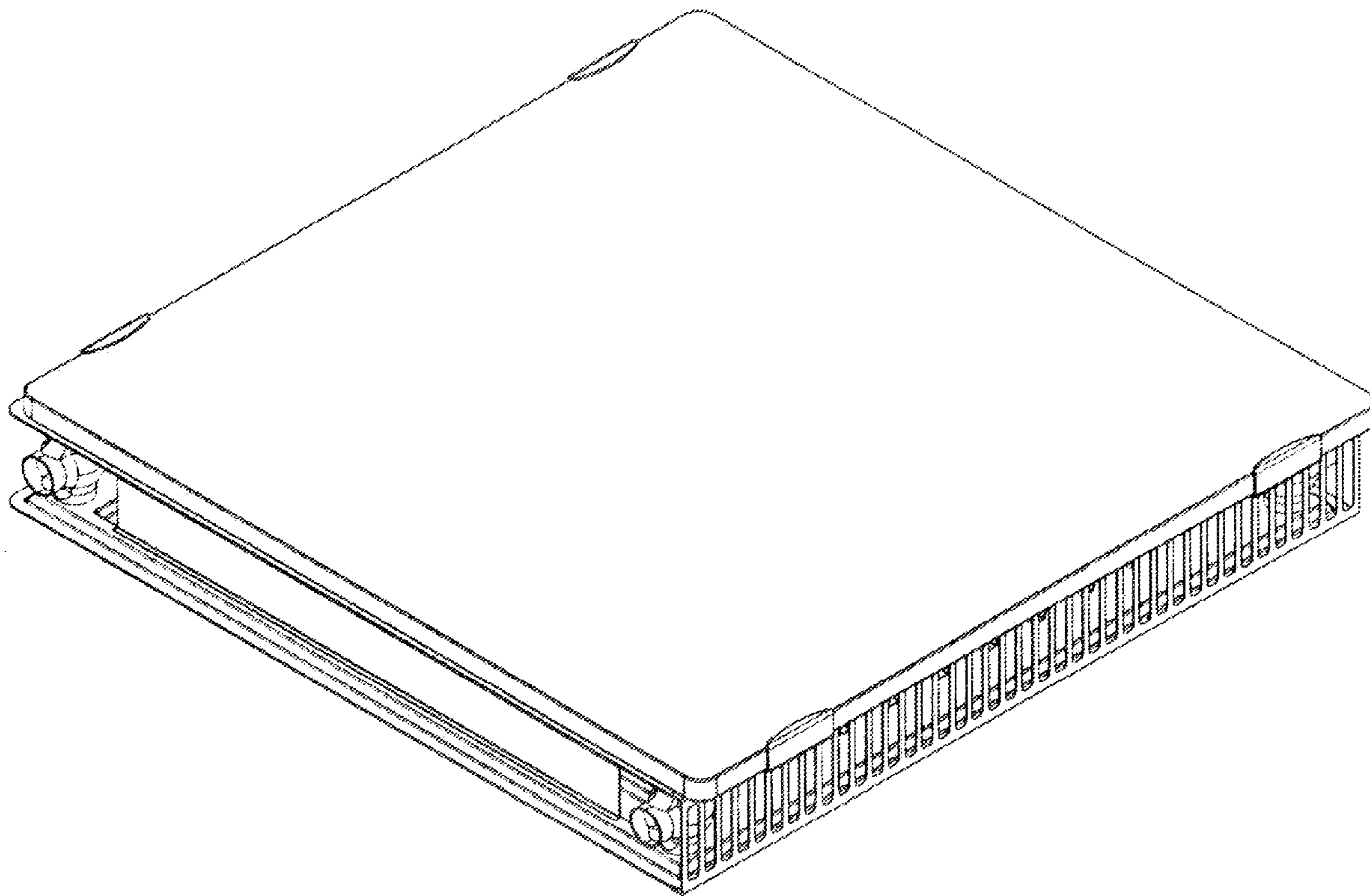
(57) **CLAIM**

The ornamental design for a radiator for heating, substantially as shown and described.

DESCRIPTION

FIG. 1 is a front perspective view of a radiator for heating showing my new design;
FIG. 2 is a rear perspective view.
FIG. 3 is a front elevation view.
FIG. 4 is a top plan view.
FIG. 5 is a right side elevation view.
FIG. 6 is a rear elevation view; and,
FIG. 7 is a left side elevation view.

1 Claim, 7 Drawing Sheets



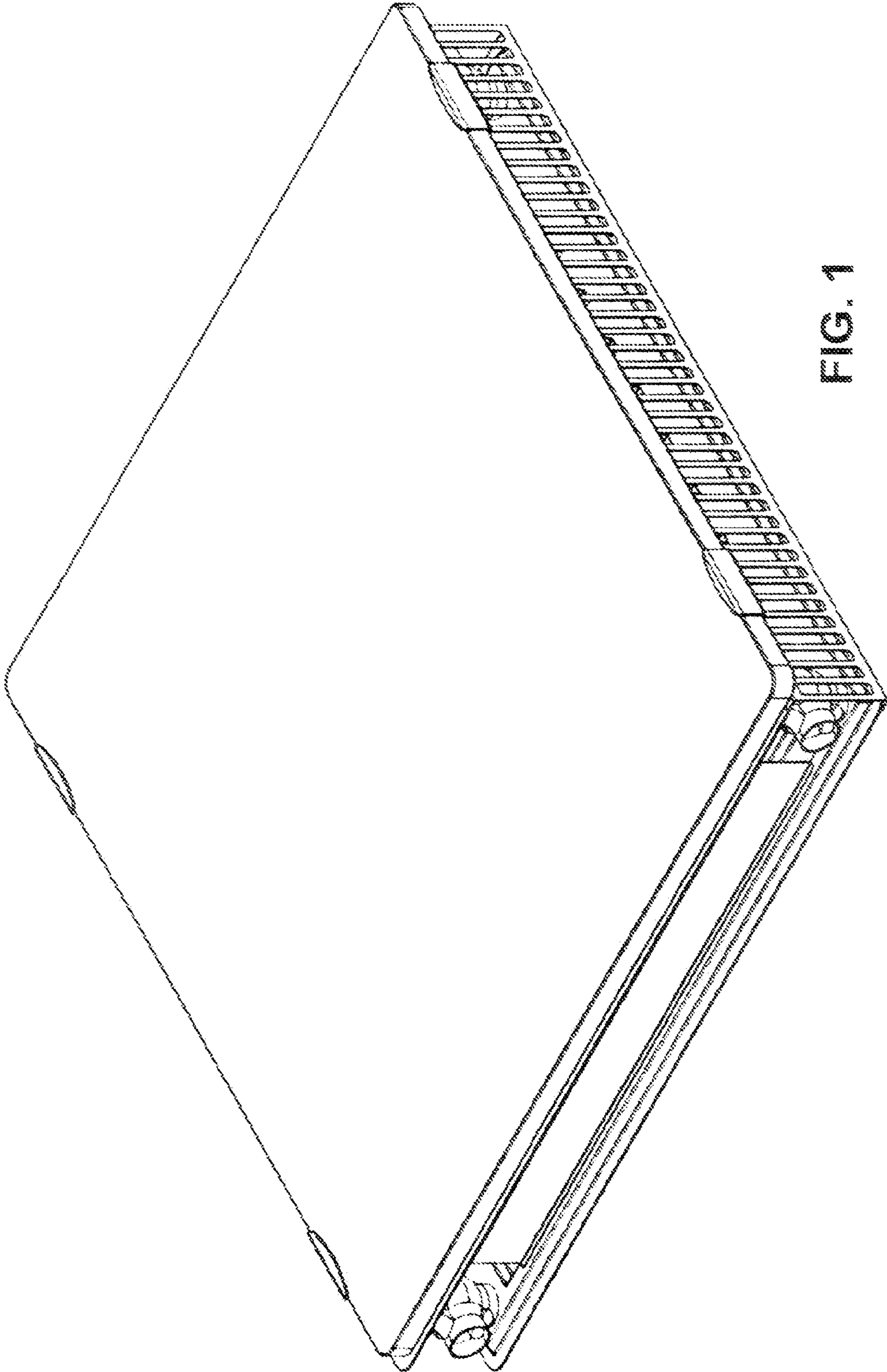


FIG. 1

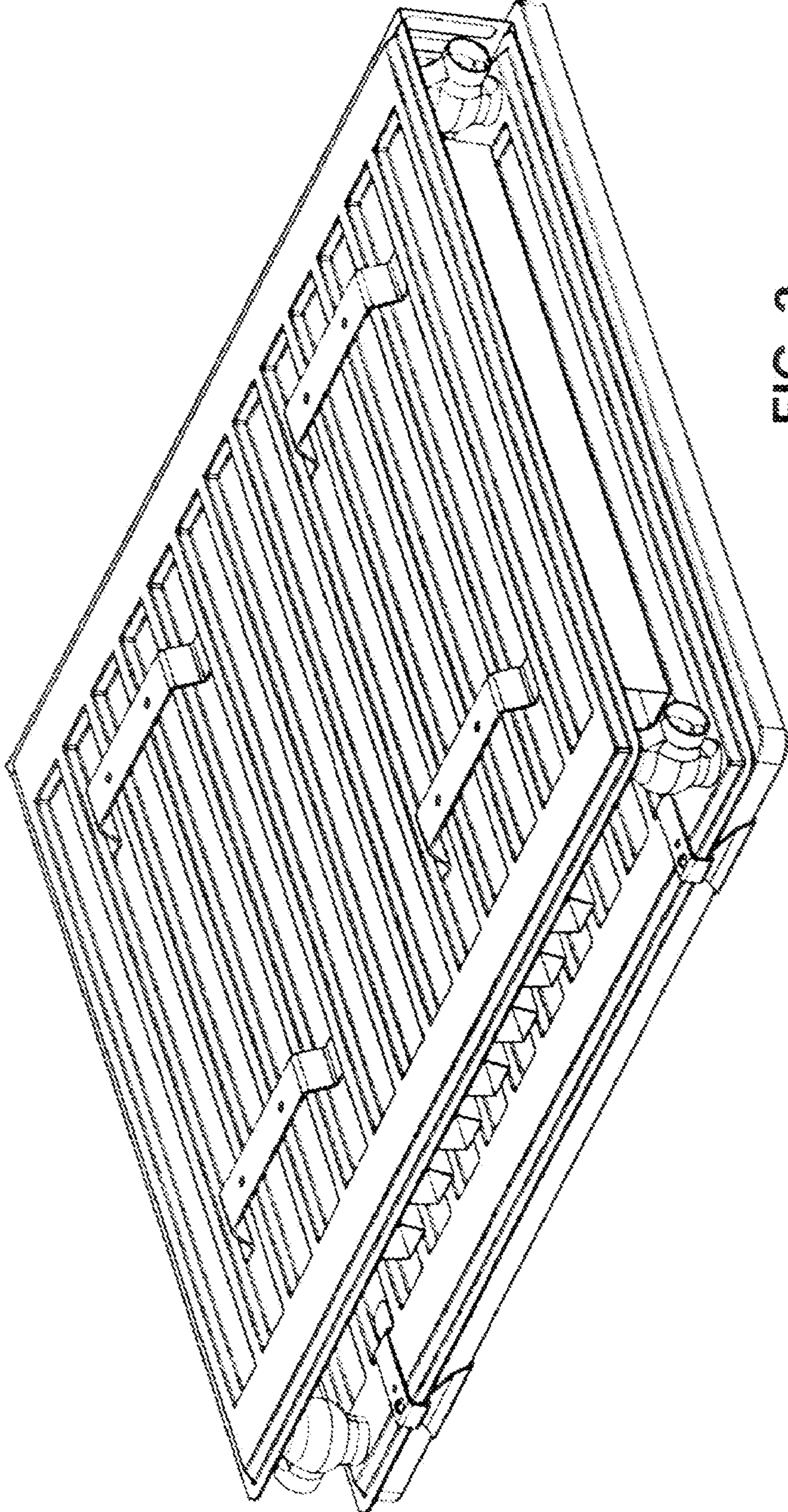


FIG. 2

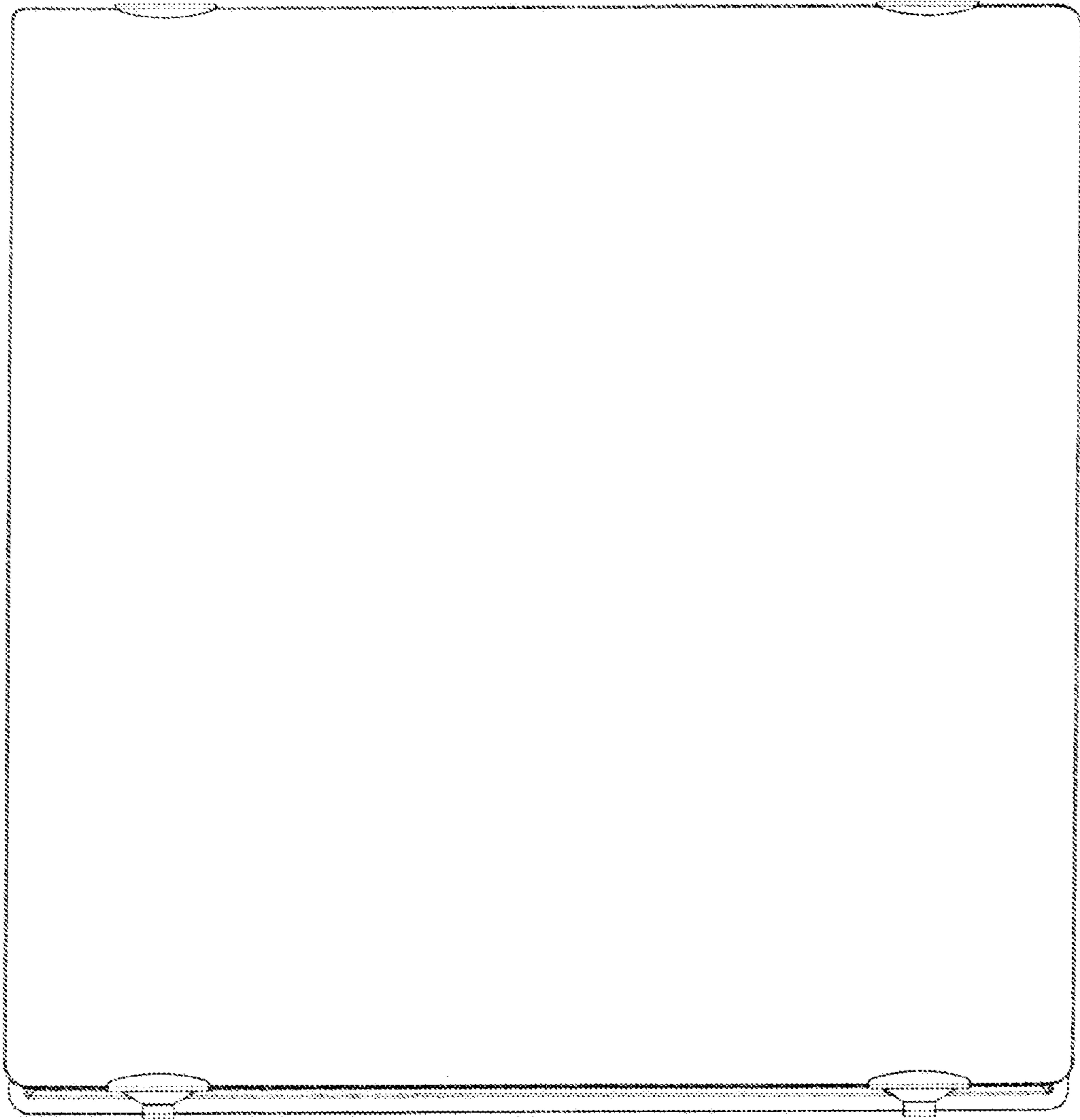


FIG. 3

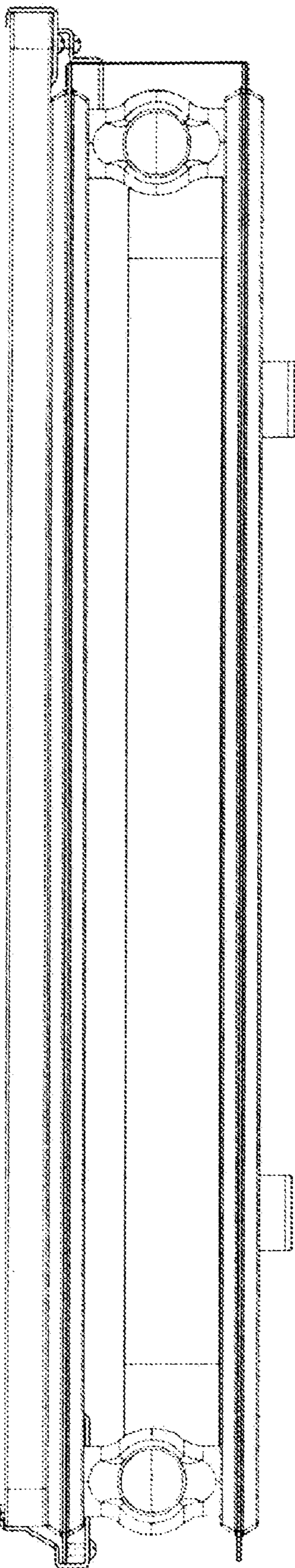


FIG. 4

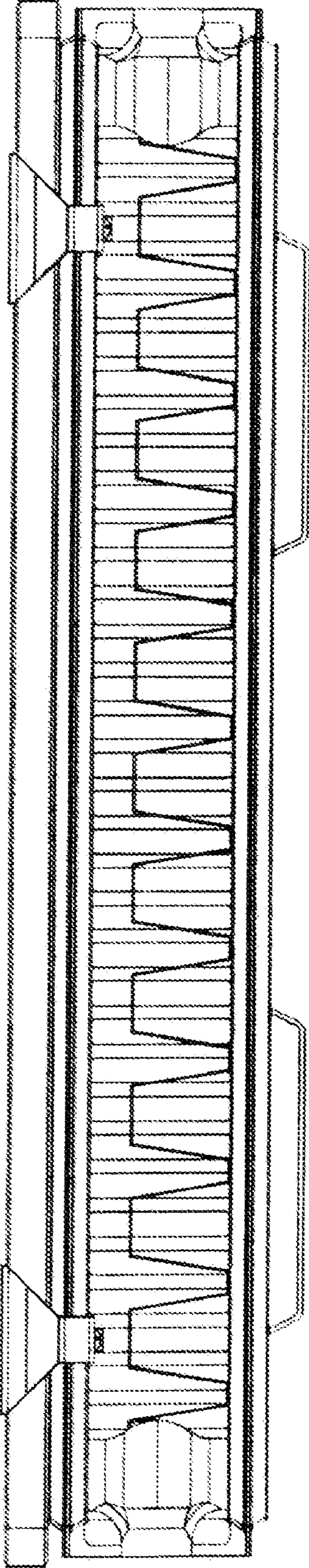


FIG. 5

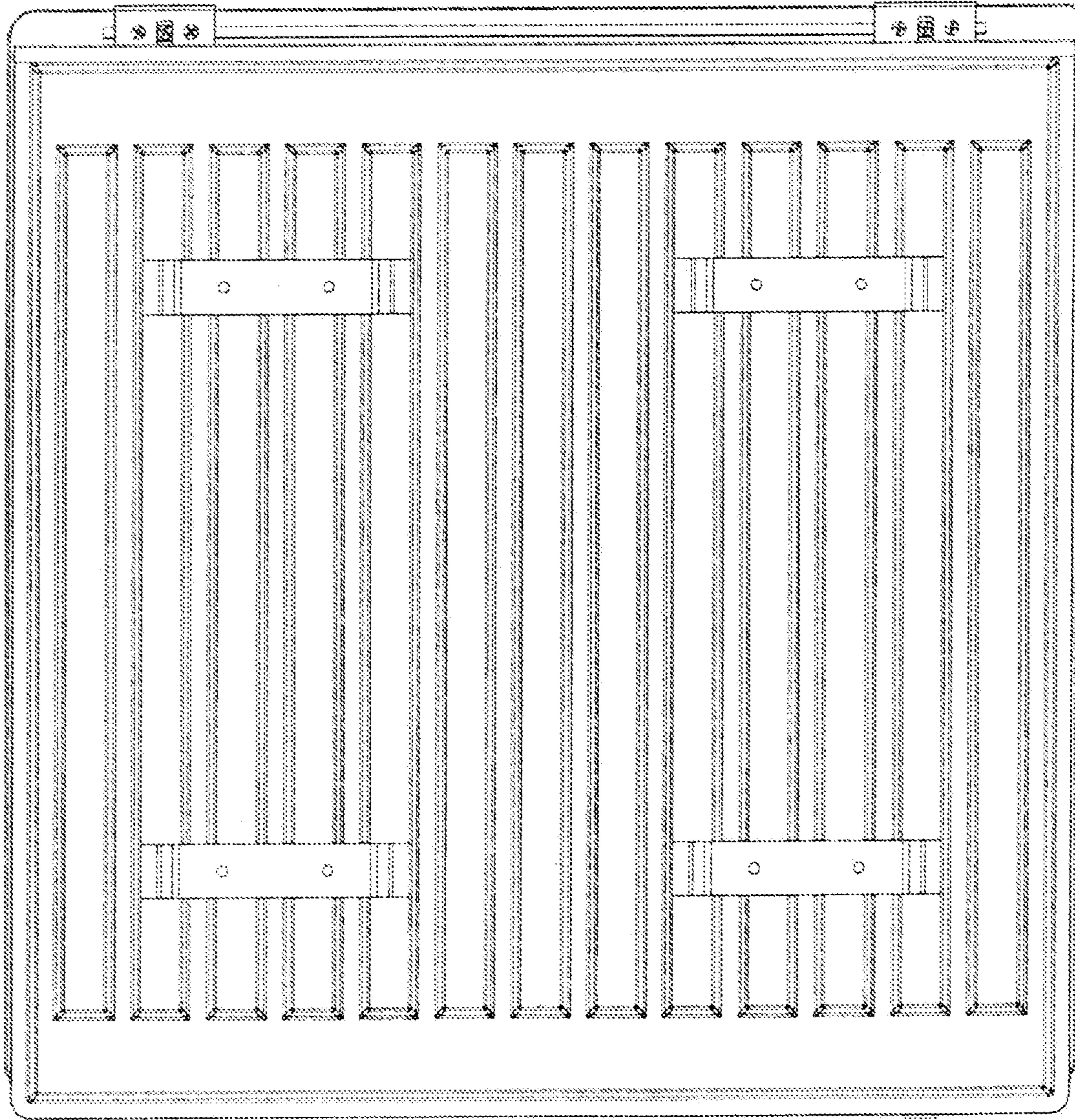


FIG. 6

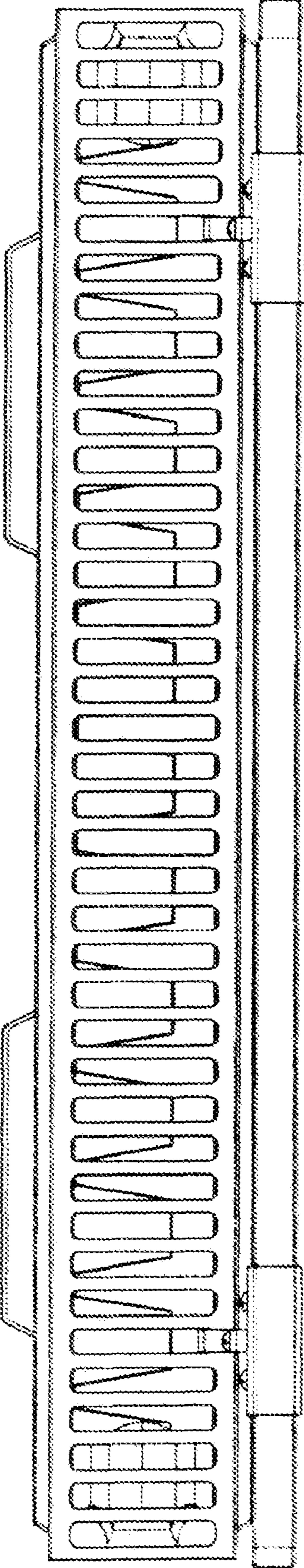


FIG. 7