



US00D621014S

(12) **United States Design Patent**
Taylor et al.

(10) **Patent No.:** **US D621,014 S**

(45) **Date of Patent:** **** Aug. 3, 2010**

(54) **TOWEL WARMING DEVICE**

(75) Inventors: **Curtis Taylor**, Chagrin Falls, OH (US);
Douglas E. Whitner, Chagrin Falls, OH
(US); **Marc Louis Vitantonio**, South
Russell, OH (US)

(73) Assignee: **Heatwave Products, LLC**, Cleveland,
OH (US)

(**) Term: **14 Years**

(21) Appl. No.: **29/335,843**

(22) Filed: **Apr. 23, 2009**

(51) **LOC (9) Cl.** **23-03**

(52) **U.S. Cl.** **D23/315**

(58) **Field of Classification Search** D23/314,
D23/315; D7/609; D6/440; 219/386, 400,
219/401, 521

See application file for complete search history.

(56) **References Cited**

U.S. PATENT DOCUMENTS

1,914,190 A	6/1933	Herr	
3,138,699 A	6/1964	Taylor	
3,626,152 A	12/1971	Governale	
3,839,622 A	10/1974	Mastin	
3,849,629 A	11/1974	Graham, Jr.	
4,084,080 A	4/1978	McMahan	
4,117,309 A *	9/1978	Cayley	219/385
4,559,442 A	12/1985	Graham	
4,644,136 A	2/1987	Watchman	
4,684,787 A	8/1987	Bunting	
4,694,146 A	9/1987	DeMars	
4,694,973 A	9/1987	Rose et al.	
4,700,048 A	10/1987	Levy	
RE32,616 E	3/1988	Graham	
4,760,243 A	7/1988	Tedioli	
4,794,228 A	12/1988	Braun, Jr.	
4,837,421 A	6/1989	Luthy	
4,849,610 A	7/1989	Alvarez	
4,918,290 A	4/1990	DeMars	
4,927,995 A	5/1990	Lovett et al.	

5,014,446 A	5/1991	Reesman
5,210,396 A	5/1993	Sanders
5,231,266 A	7/1993	Warren
5,341,992 A	8/1994	Bishopp
5,397,875 A	3/1995	Bechtold, Jr.
5,408,576 A	4/1995	Bishop
5,569,403 A	10/1996	Swanson
5,606,640 A	2/1997	Murphy
5,642,462 A	6/1997	Huff
5,736,714 A	4/1998	Bechtold
5,842,287 A	12/1998	Murphy

(Continued)

FOREIGN PATENT DOCUMENTS

WO WO 03053101 A1 6/2003

Primary Examiner—T. Chase Nelson
Assistant Examiner—Ania K Dworzecka

(74) *Attorney, Agent, or Firm*—Fay Sharpe LLP; Brian E.
Turung

(57) **CLAIM**

The ornamental design for a towel warming device, as shown
and described.

DESCRIPTION

FIG. 1 is a perspective view of a towel warming device
showing my new design;

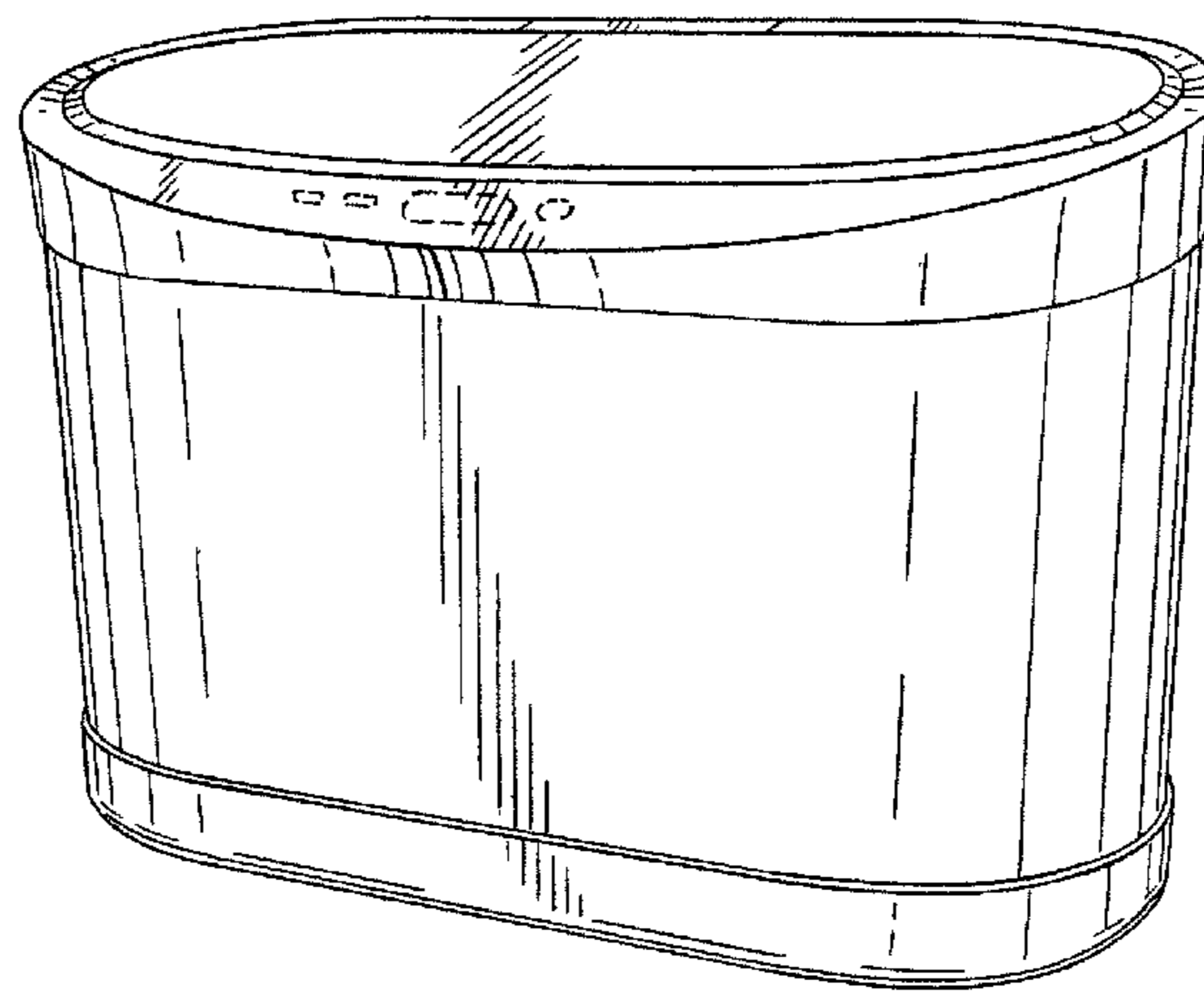
FIG. 2 is a front elevation view of a towel warming device
showing my new design;

FIG. 3 is a top plan view of a towel warming device showing
my new design;

FIG. 4 is a side elevation view of the towel warming device
showing my new design; and,

FIG. 5 is a back elevation view of the towel warming device
showing my new design.

1 Claim, 2 Drawing Sheets



US D621,014 S

Page 2

U.S. PATENT DOCUMENTS

5,981,923	A	11/1999	Jackson	6,604,942	B2	8/2003	Sharp
6,005,227	A	12/1999	Pappas	6,627,857	B1	9/2003	Tanner
6,018,145	A	1/2000	Moreno	6,649,877	B1	11/2003	Mauffrey et al.
6,046,436	A	4/2000	Hunts	6,667,464	B2	12/2003	Ellis
6,080,974	A	6/2000	Ambrosiano	6,693,260	B1	2/2004	Rodrigues
6,085,026	A	7/2000	Hammons et al.	6,774,343	B2	8/2004	Ibanez
6,153,862	A	11/2000	Job	6,830,456	B2	12/2004	Obermeyer
6,154,607	A	11/2000	Flashinski et al.	6,855,915	B2	2/2005	Gehring
6,189,230	B1	2/2001	Huen	6,917,753	B2	7/2005	Cooper
D442,438	S *	5/2001	Schankowski D7/605	6,935,279	B2	8/2005	Bosworth
D446,012	S *	8/2001	Ashiwa et al. D3/273	6,982,399	B1	1/2006	Hunts
6,341,554	B2	1/2002	Thiriat	7,191,546	B2	3/2007	Maruca
6,431,360	B1	8/2002	Julius	2003/0015513	A1	1/2003	Ellis
6,525,298	B1	2/2003	Hunts	2004/0190882	A1	9/2004	Cooper
6,551,560	B1	4/2003	Flashinski et al.	2004/0245234	A1	12/2004	Gehring
6,555,789	B2	4/2003	Owens et al.	2005/0121435	A1	6/2005	Hofer-Noser et al.
				2006/0191901	A1 *	8/2006	Taylor et al. 219/521

* cited by examiner

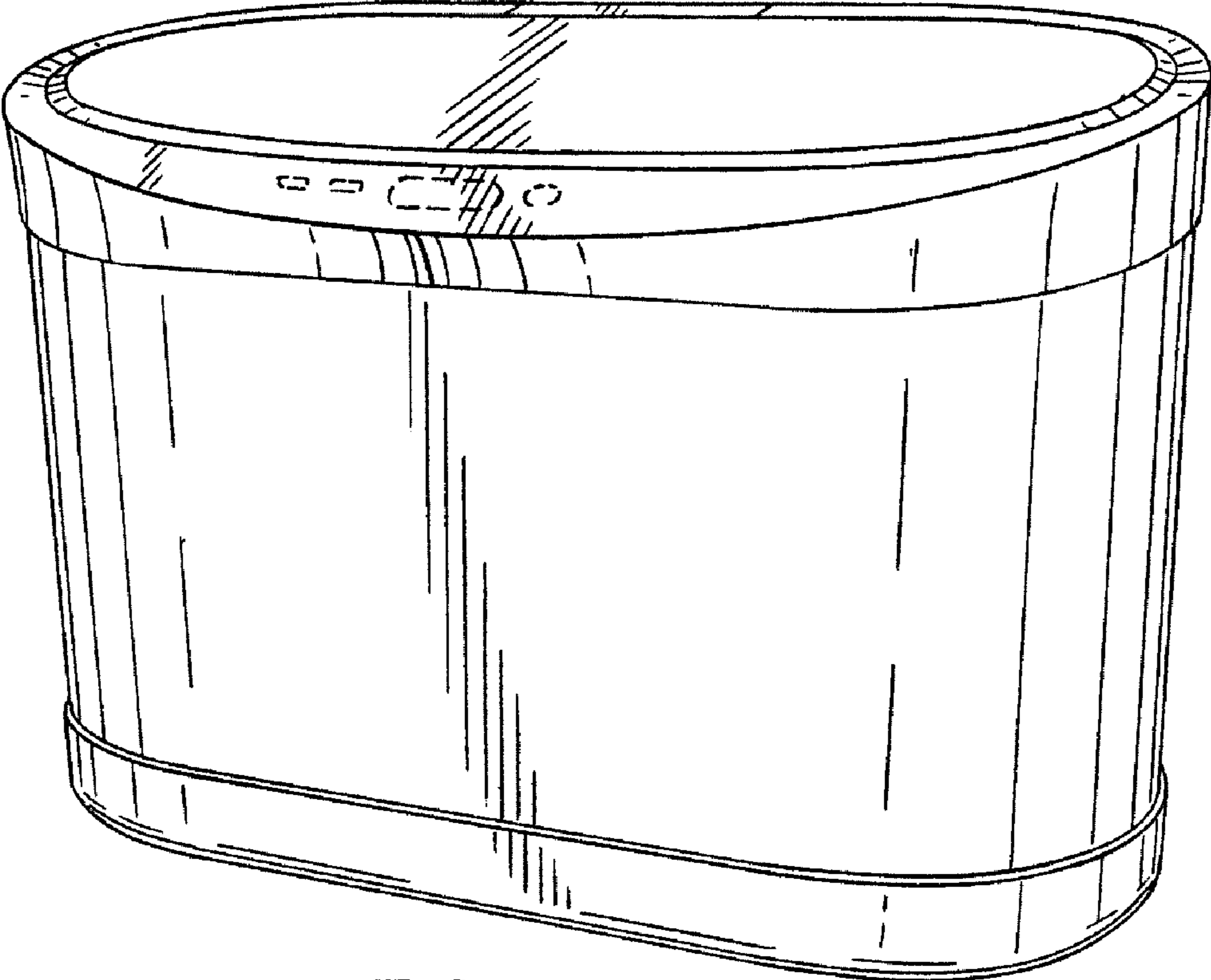


FIG. 1

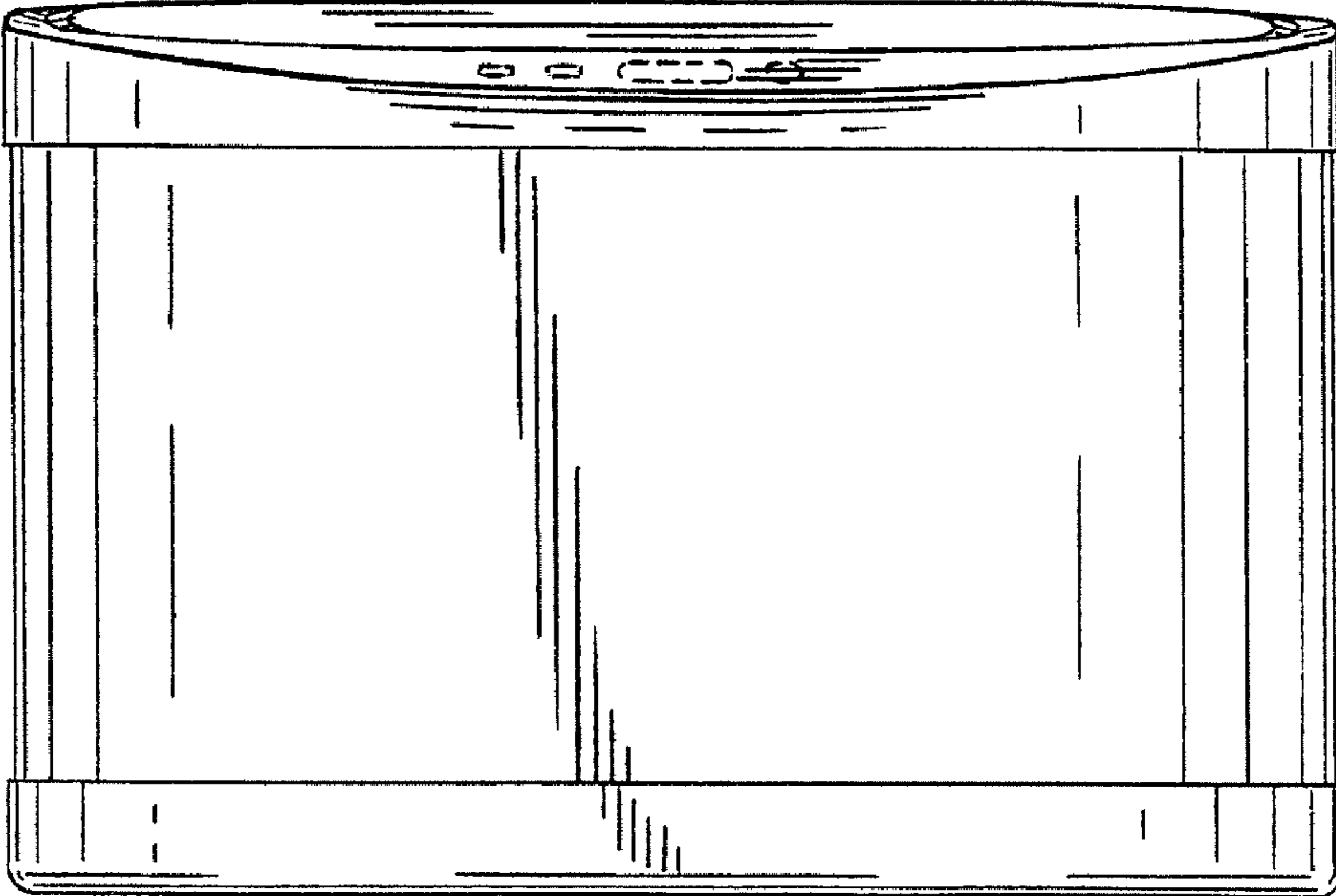


FIG. 2

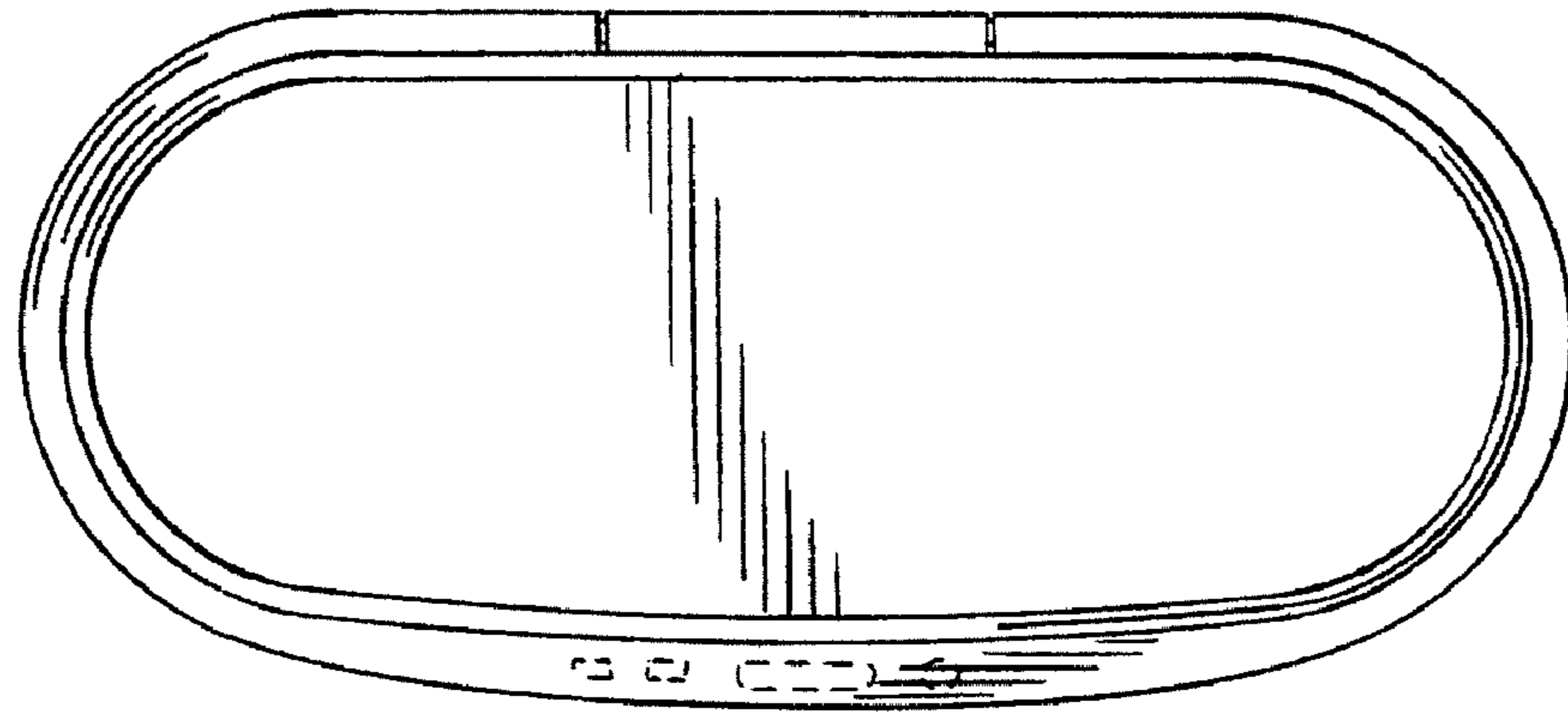


FIG. 3

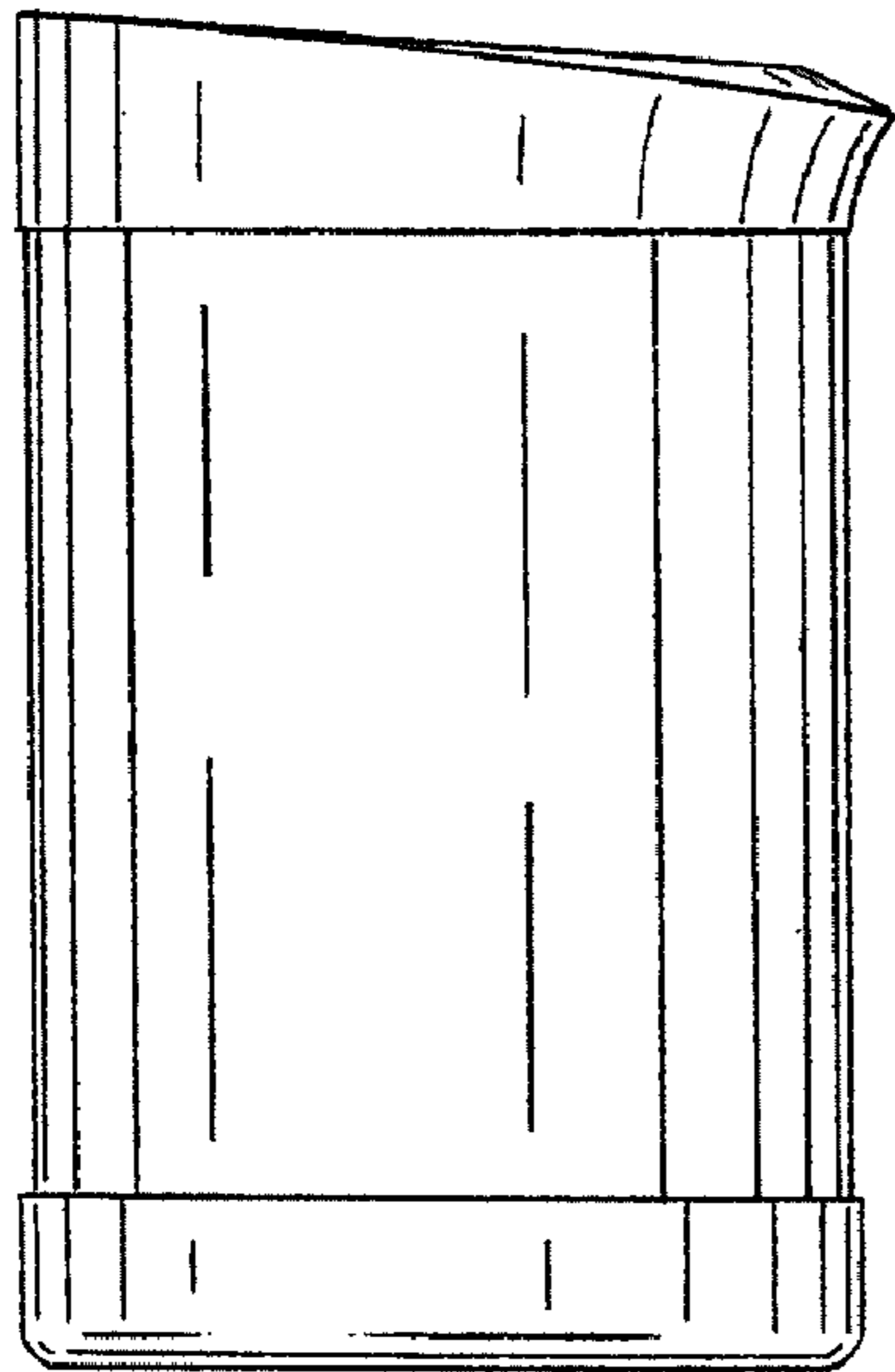


FIG. 4

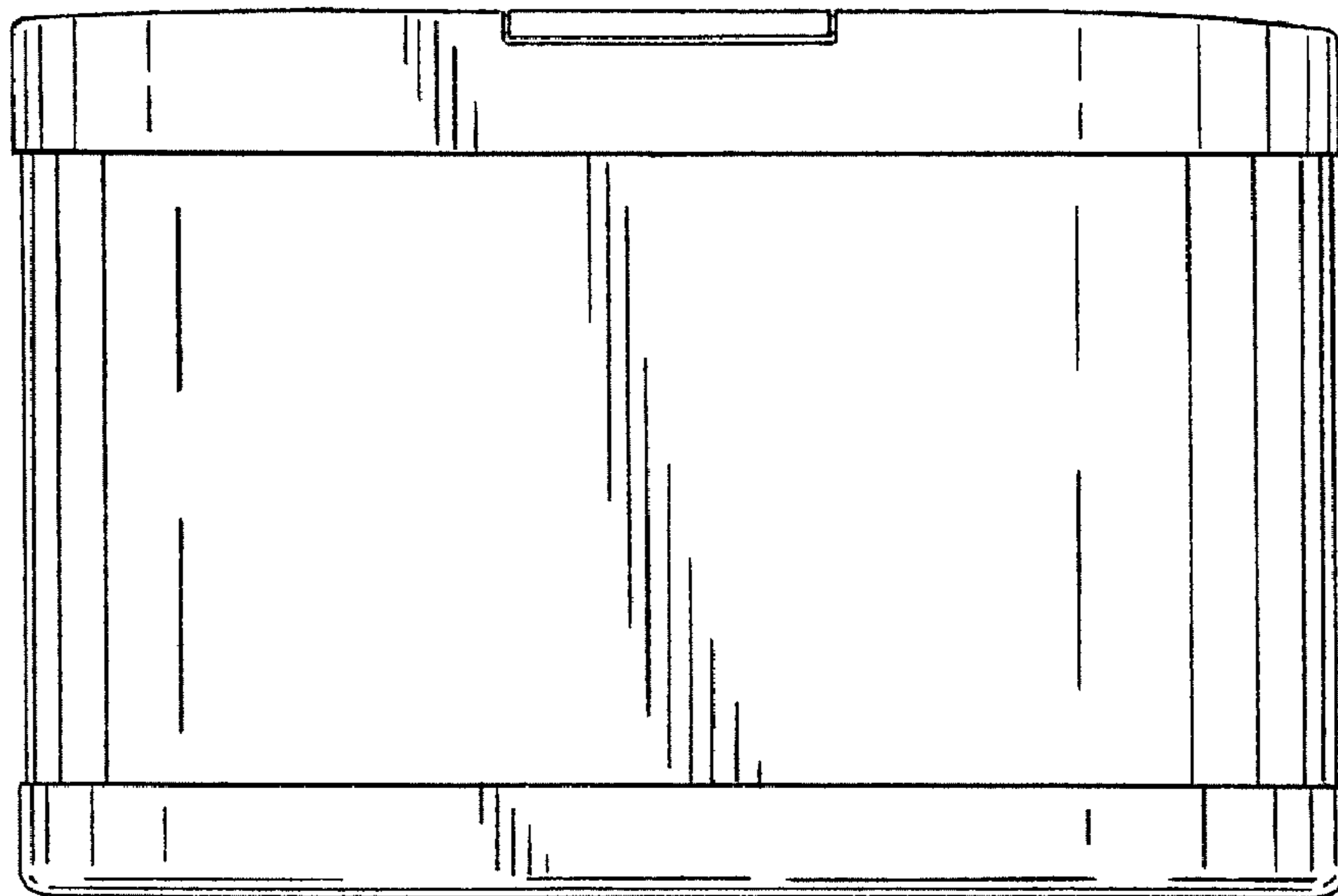


FIG. 5