



US00D621012S

(12) **United States Design Patent**
Bucher

(10) **Patent No.:** **US D621,012 S**

(45) **Date of Patent:** **** Aug. 3, 2010**

(54) **TWO-PIECE TOILET**

(75) Inventor: **Christophe Bucher**, Hillsborough, NJ
(US)

(73) Assignee: **AS IP Holdco, L.L.C.**, Piscataway, NJ
(US)

(**) Term: **14 Years**

(21) Appl. No.: **29/350,325**

(22) Filed: **Nov. 13, 2009**

(51) **LOC (9) Cl.** **23-02**

(52) **U.S. Cl.** **D23/301**

(58) **Field of Classification Search** D23/273-274,
D23/295, 301, 303, 309, 313; 4/300, 329,
4/353, 420

See application file for complete search history.

(56) **References Cited**

U.S. PATENT DOCUMENTS

D451,175 S * 11/2001 Smith D23/301
D455,822 S * 4/2002 McKeone D23/301
D556,301 S * 11/2007 Lin et al. D23/295

* cited by examiner

Primary Examiner—Robert A Delehanty

(74) *Attorney, Agent, or Firm*—Flaster/Greenberg P.C.

(57) **CLAIM**

The ornamental design for a two-piece toilet, as shown and described.

DESCRIPTION

FIG. 1 is a perspective view of a one-piece toilet;

FIG. 2 is a front elevation view of the one-piece toilet of FIG. 1;

FIG. 3 is a back elevation view of the one-piece toilet of FIG. 1;

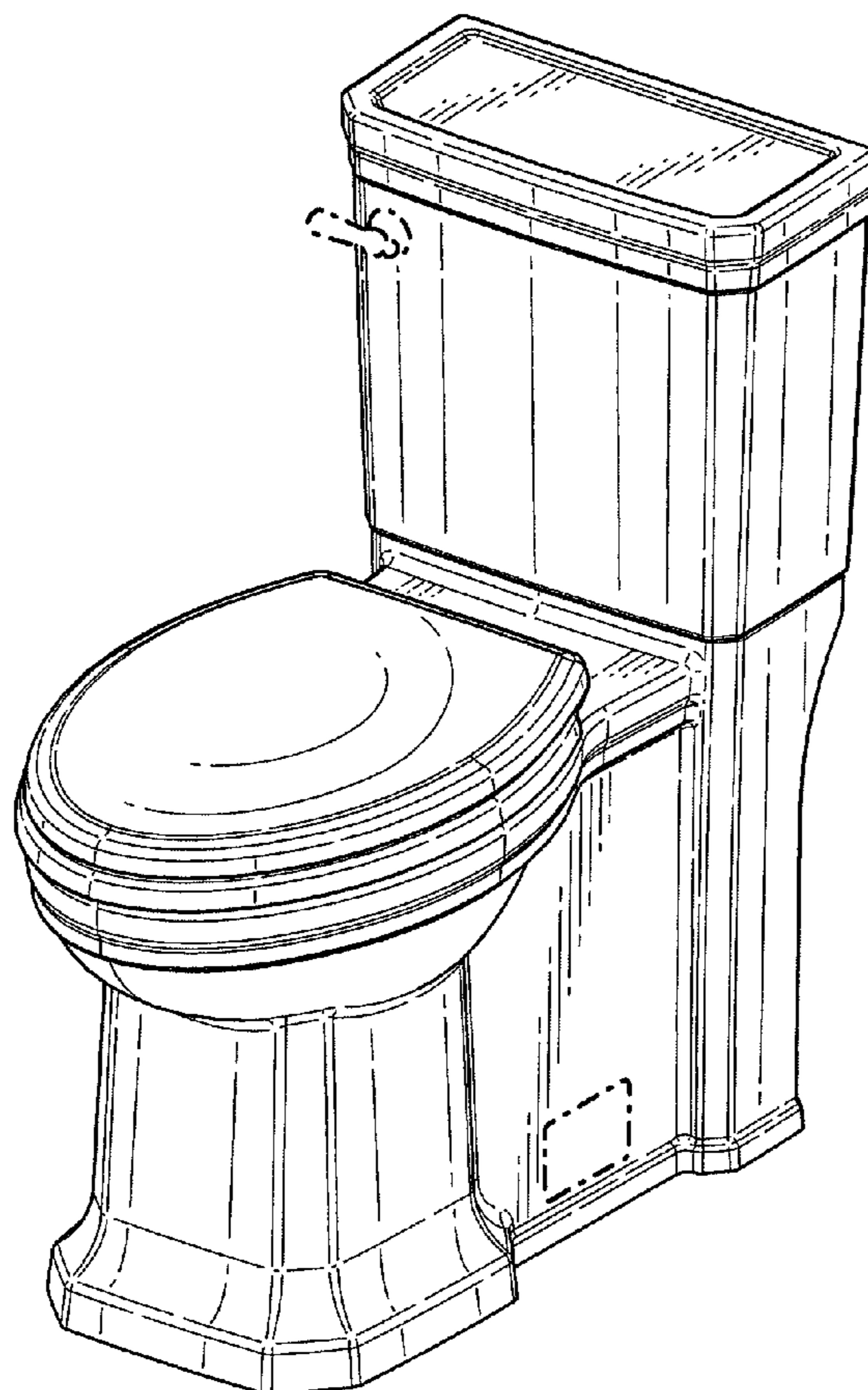
FIG. 4 is a right side elevation view of the one-piece toilet of FIG. 1;

FIG. 5 is a left side elevation view of the one-piece toilet of FIG. 1;

FIG. 6 is a top plan view of the one-piece toilet of FIG. 1; and,
FIG. 7 is a bottom plan view of the one-piece toilet of FIG. 1.

The broken line shown in the drawings are for the purpose of illustrating a portion of the toilet that forms no part of the claimed design.

1 Claim, 5 Drawing Sheets



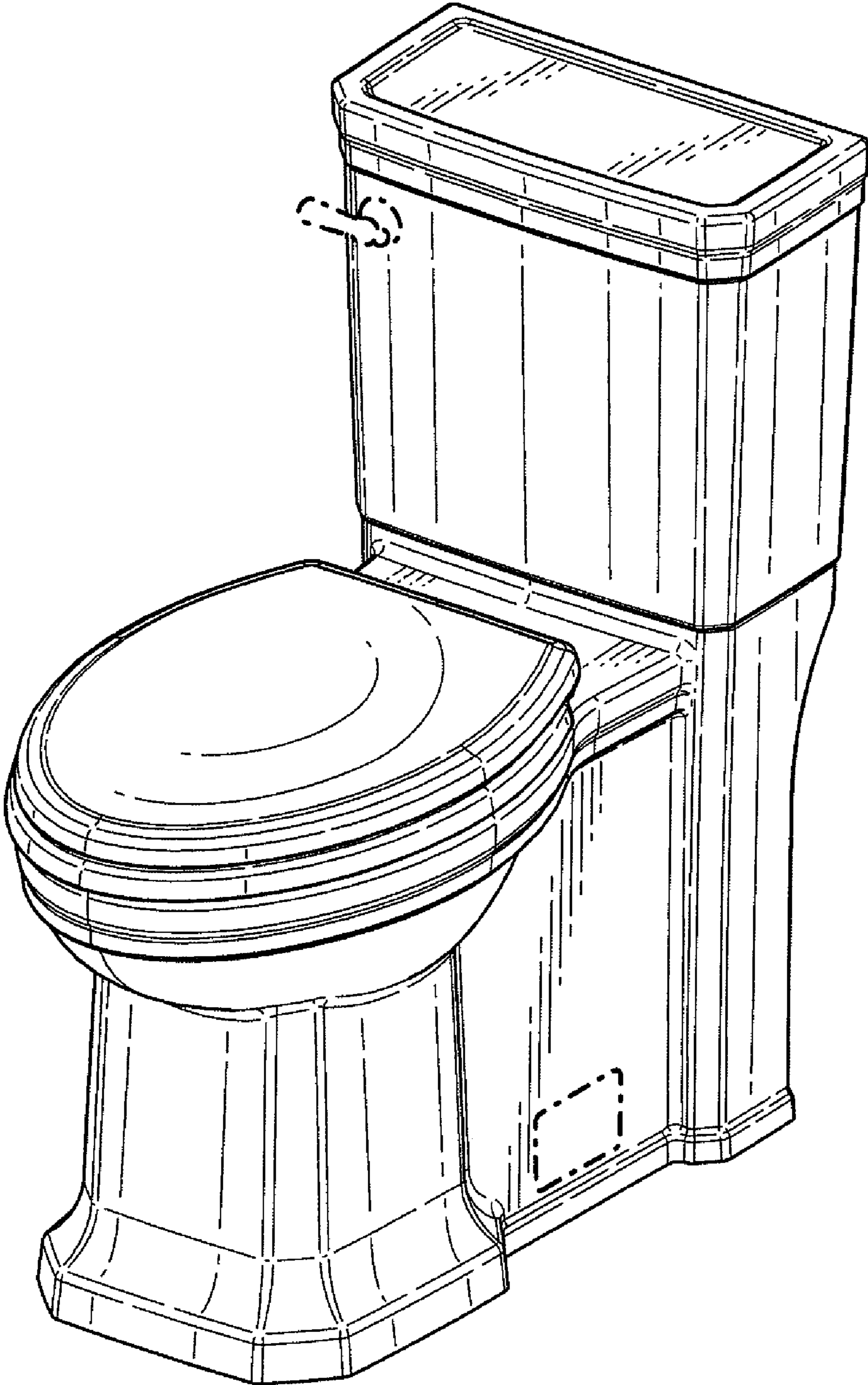


FIG. 1

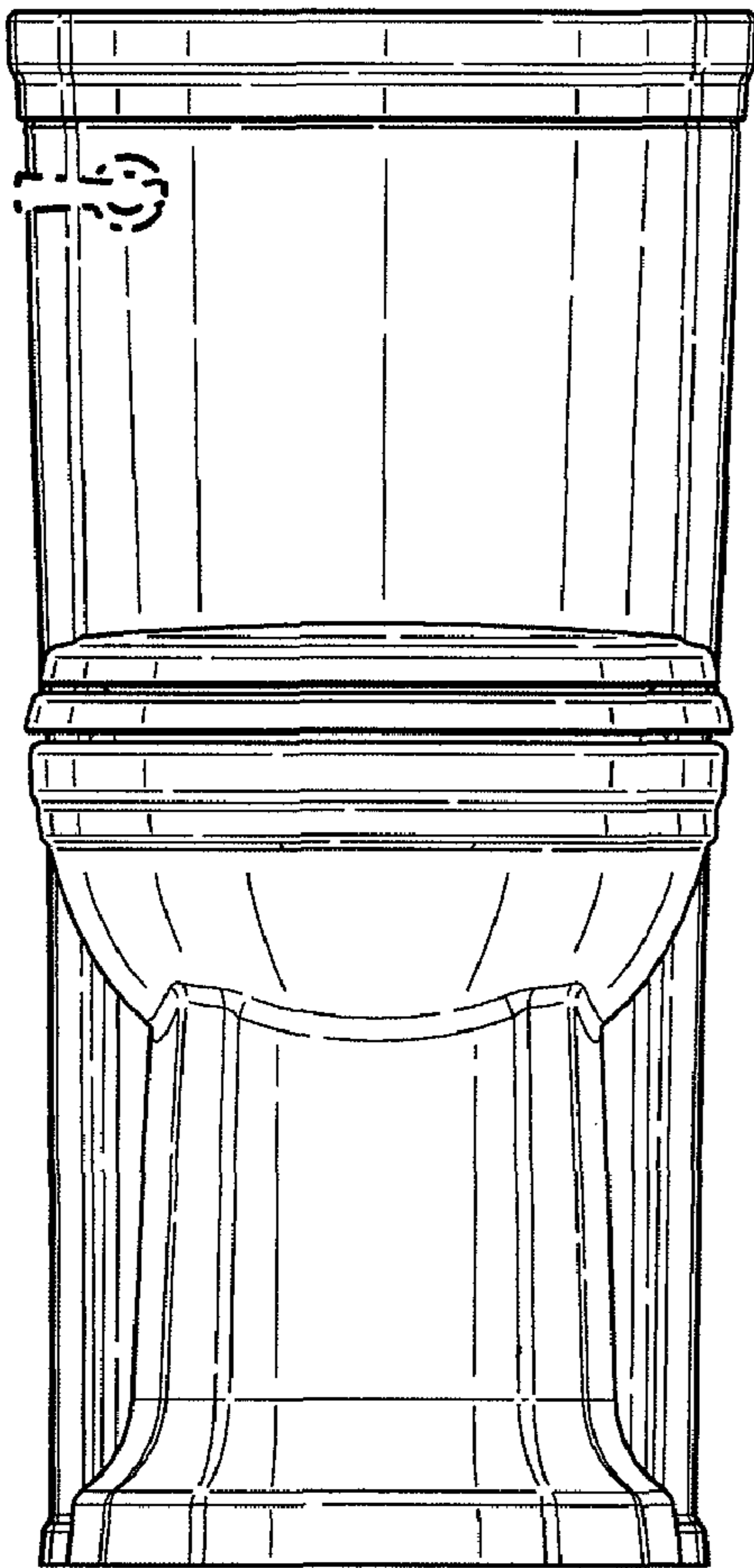


FIG. 2

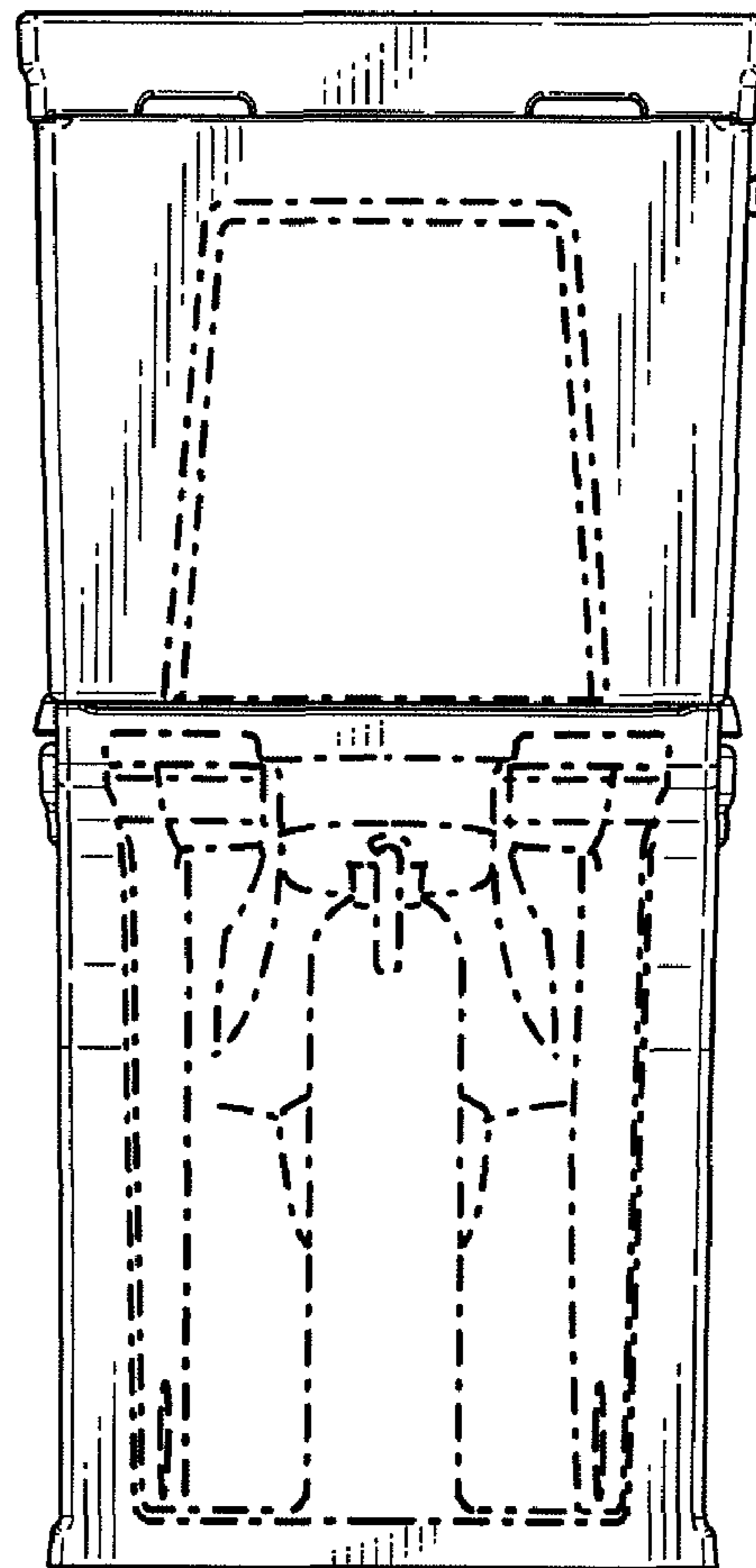


FIG. 3

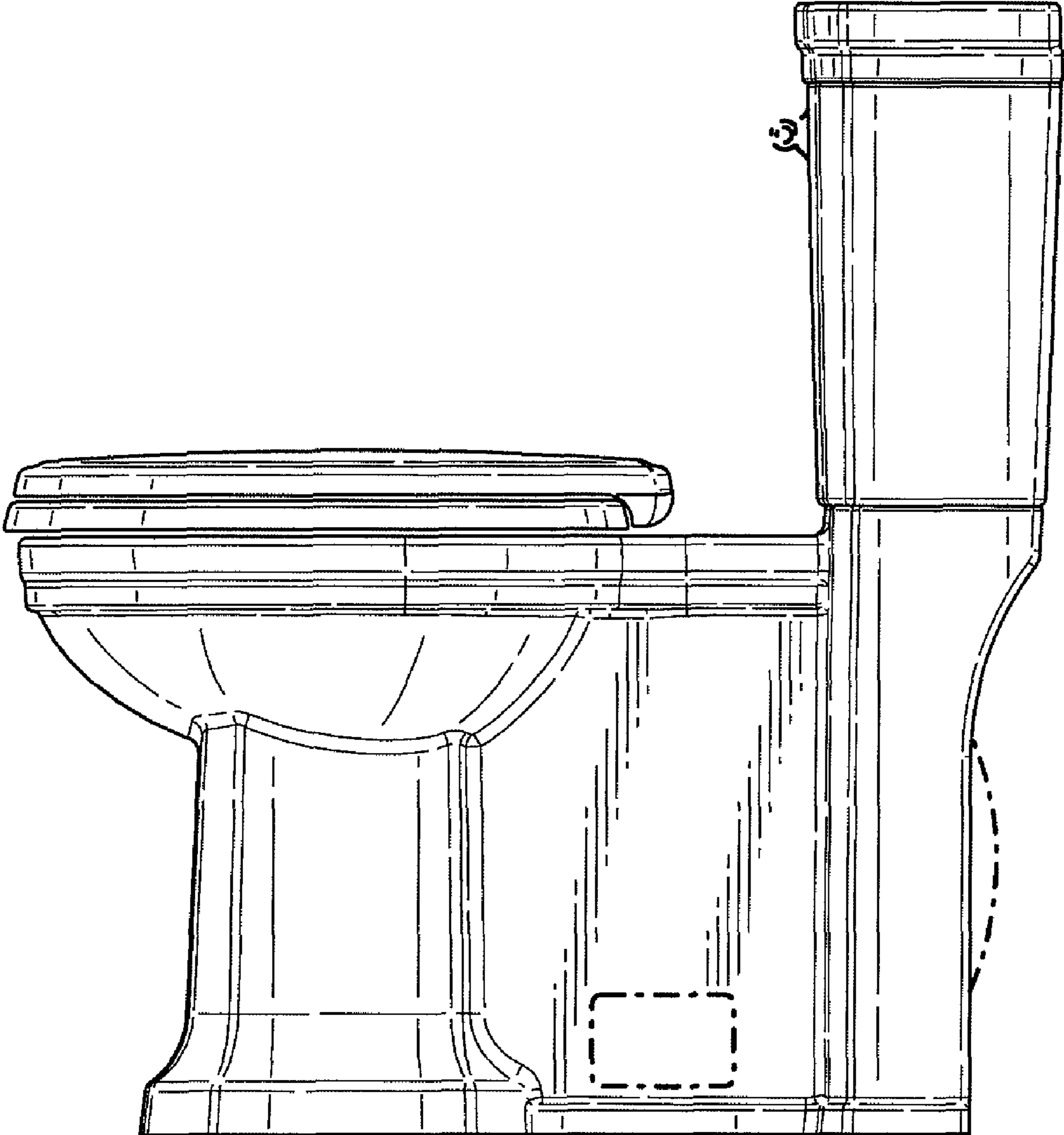


FIG. 4

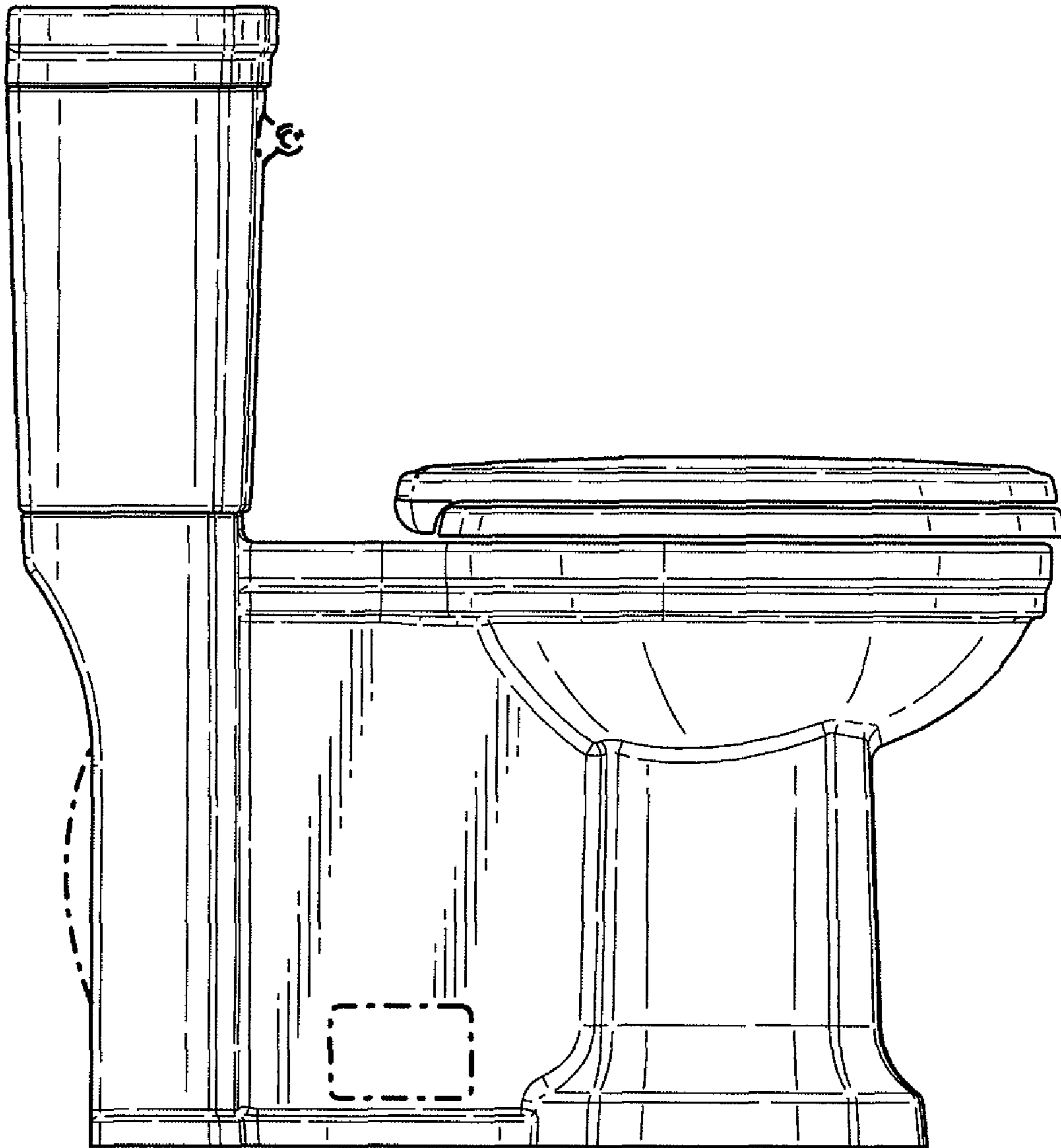


FIG. 5

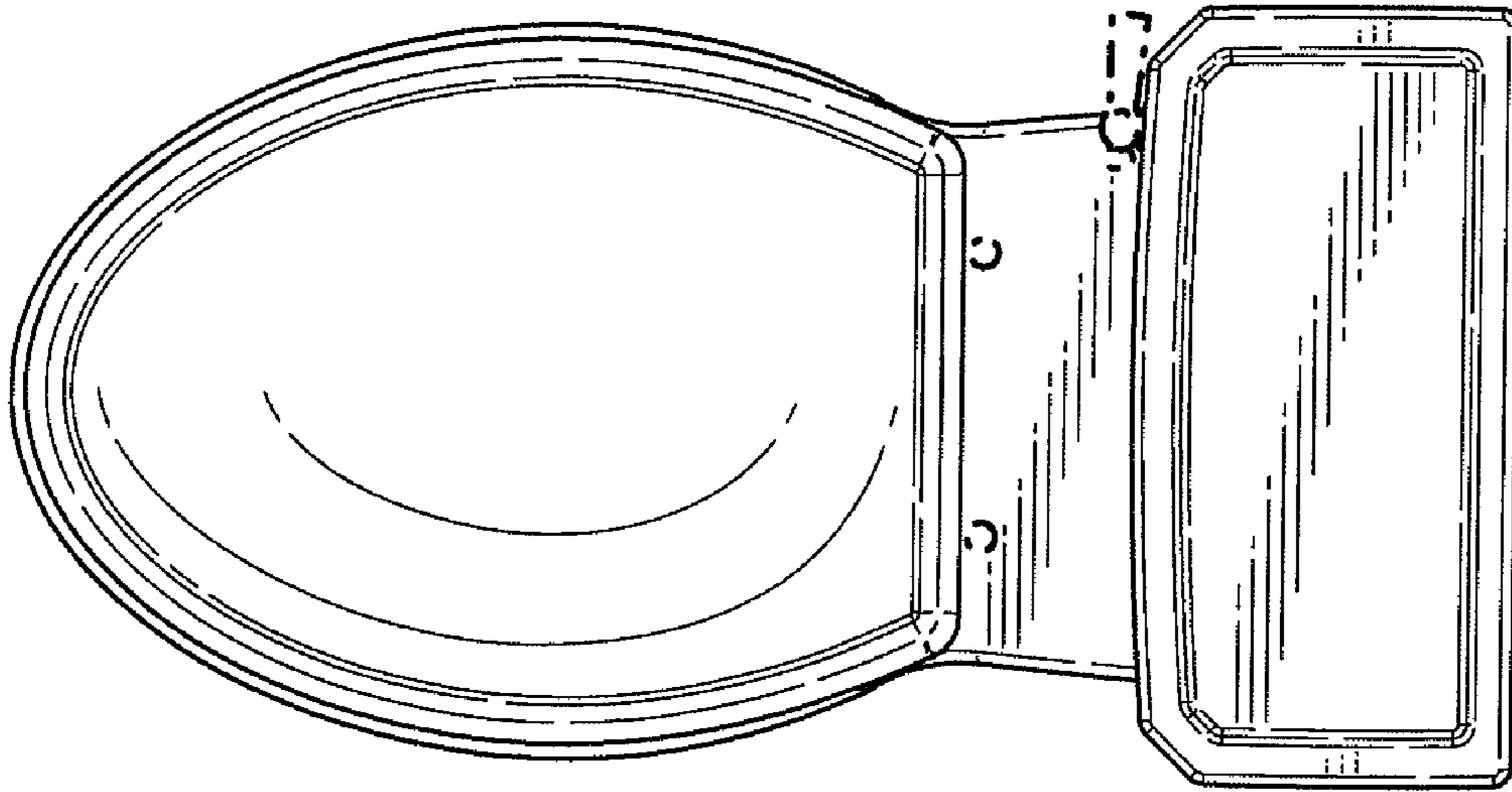


FIG. 6

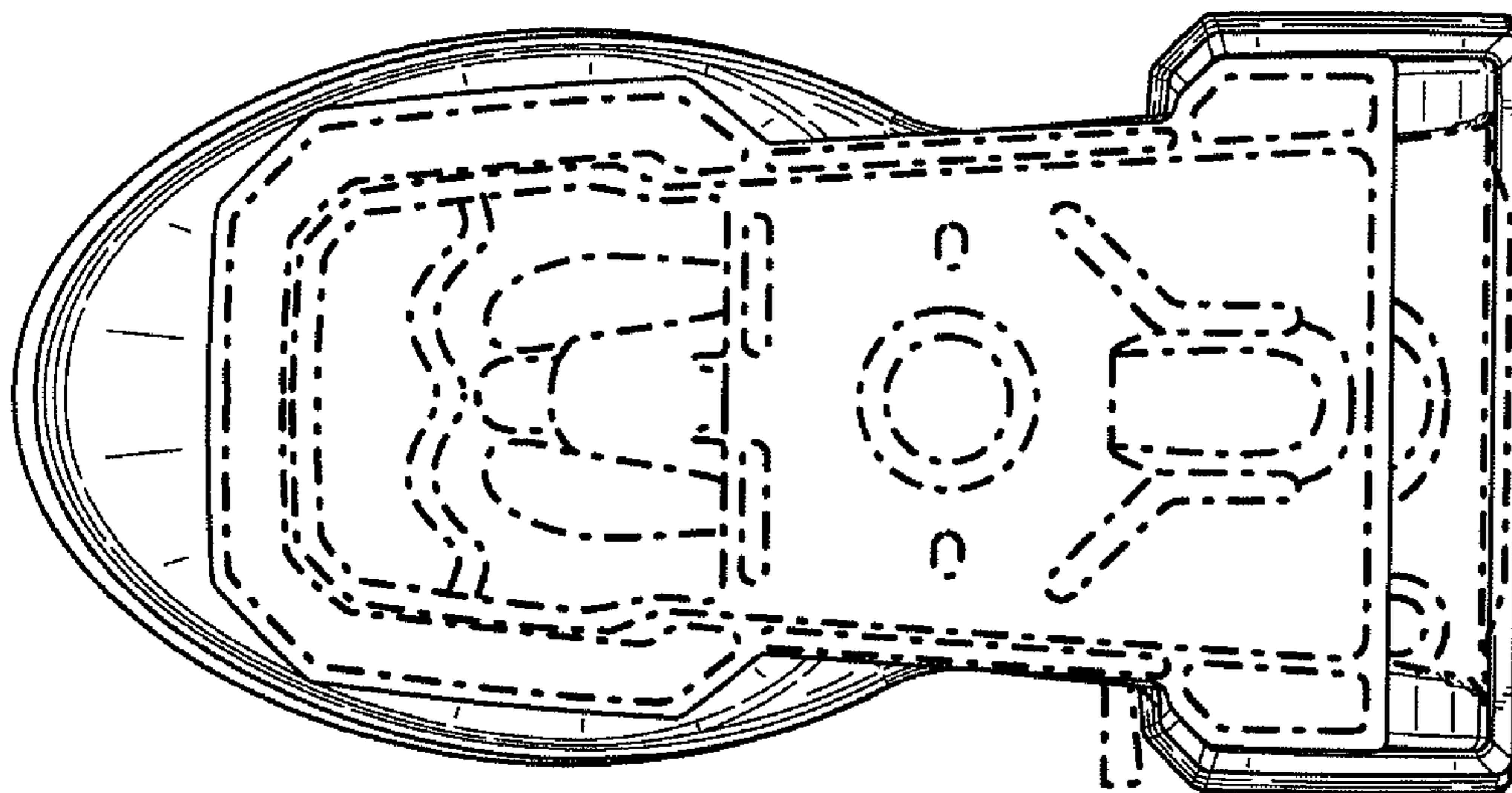


FIG. 7