



US00D621007S

(12) **United States Design Patent**
Bardsley et al.

(10) **Patent No.:** **US D621,007 S**

(45) **Date of Patent:** **** Aug. 3, 2010**

(54) **SHOWER MIXER**

D563,908 S * 3/2008 Kohler et al. D13/171
D575,647 S * 8/2008 Lobermeier et al. D10/49
D582,515 S * 12/2008 Lobermeier et al. D23/238

(75) Inventors: **Clark J. Bardsley**, Auckland (NZ);
Kent B. T. Sneddon, Auckland (NZ)

(73) Assignee: **Methven Limited**, Auckland (NZ)

(**) Term: **14 Years**

* cited by examiner

Primary Examiner—Robert A Delehanty

(74) *Attorney, Agent, or Firm*—Dickstein Shapiro LLP

(21) Appl. No.: **29/290,085**

(57) **CLAIM**

(22) Filed: **Oct. 19, 2007**

The ornamental design for shower mixer, as shown and described.

(30) **Foreign Application Priority Data**

Apr. 19, 2007 (NZ) 409004

DESCRIPTION

(51) **LOC (9) Cl.** **23-01**

(52) **U.S. Cl.** **D23/254**

(58) **Field of Classification Search** D23/238–243,
D23/250, 252–254; 4/676–678; 137/801,
137/359; 16/110.1; D8/350–353; D6/550;
D10/49

FIG. 1 is a perspective view of shower mixer, showing the new design;

FIG. 2 is a top view thereof;

FIG. 3 is a front view thereof; and,

FIG. 4 is a left side view thereof.

See application file for complete search history.

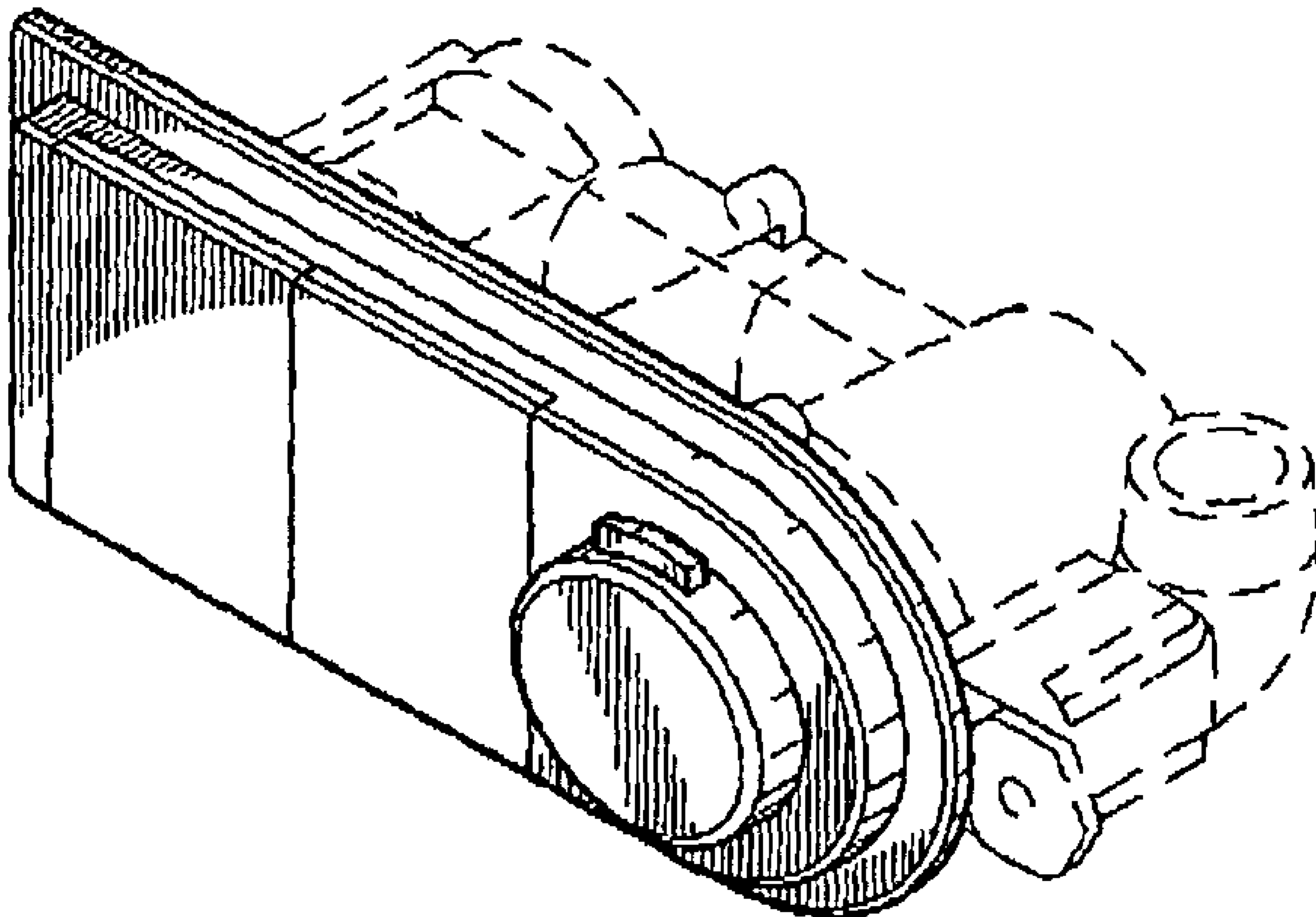
The broken lines in the drawings form no part of the claimed design. The novelty of the design is in respect of its shape or configuration excluding any novelty in the functional rear portion.

(56) **References Cited**

U.S. PATENT DOCUMENTS

D272,082 S * 1/1984 Fabian D23/254
D484,063 S * 12/2003 Chen D10/53

1 Claim, 1 Drawing Sheet



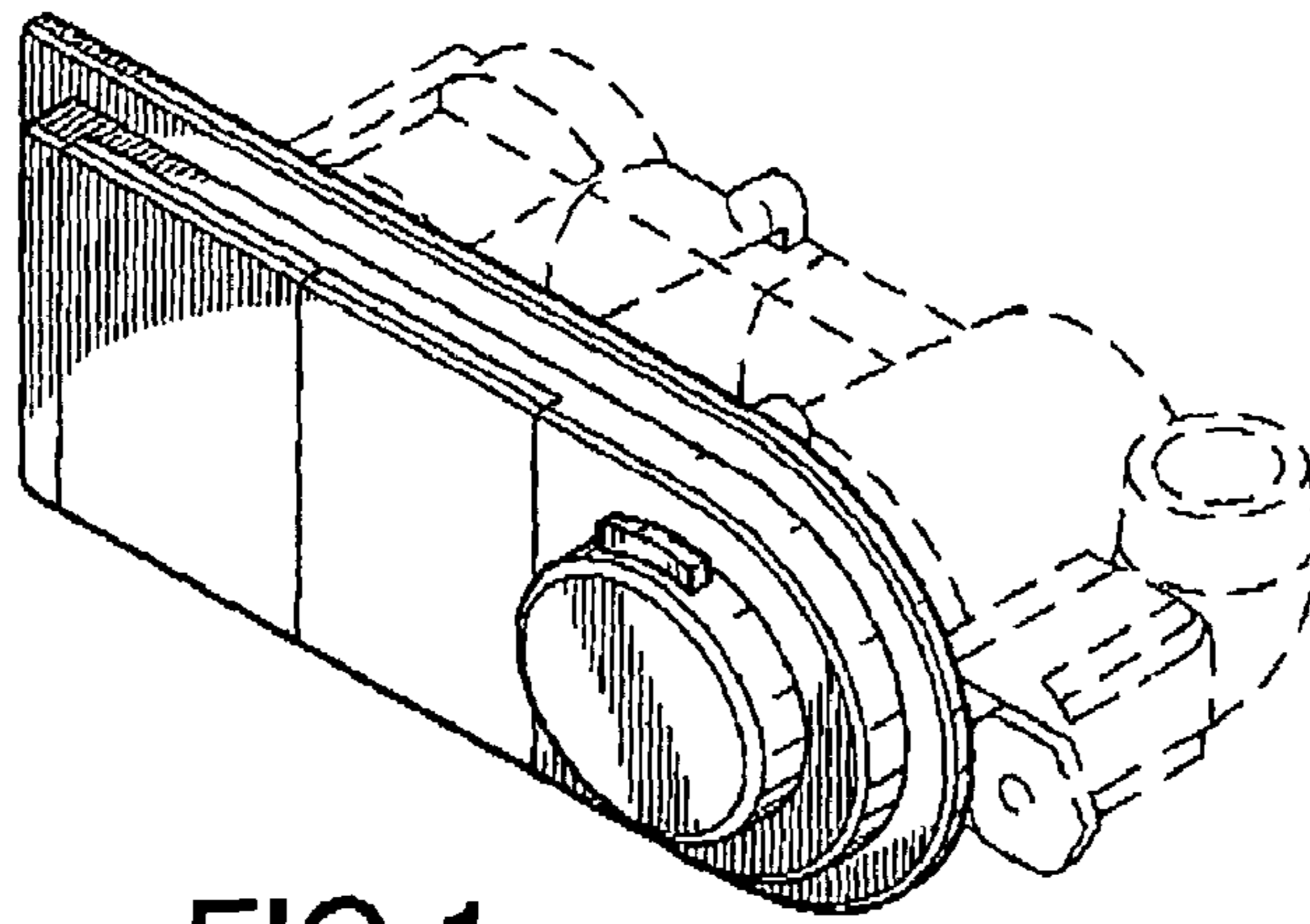


FIG. 1

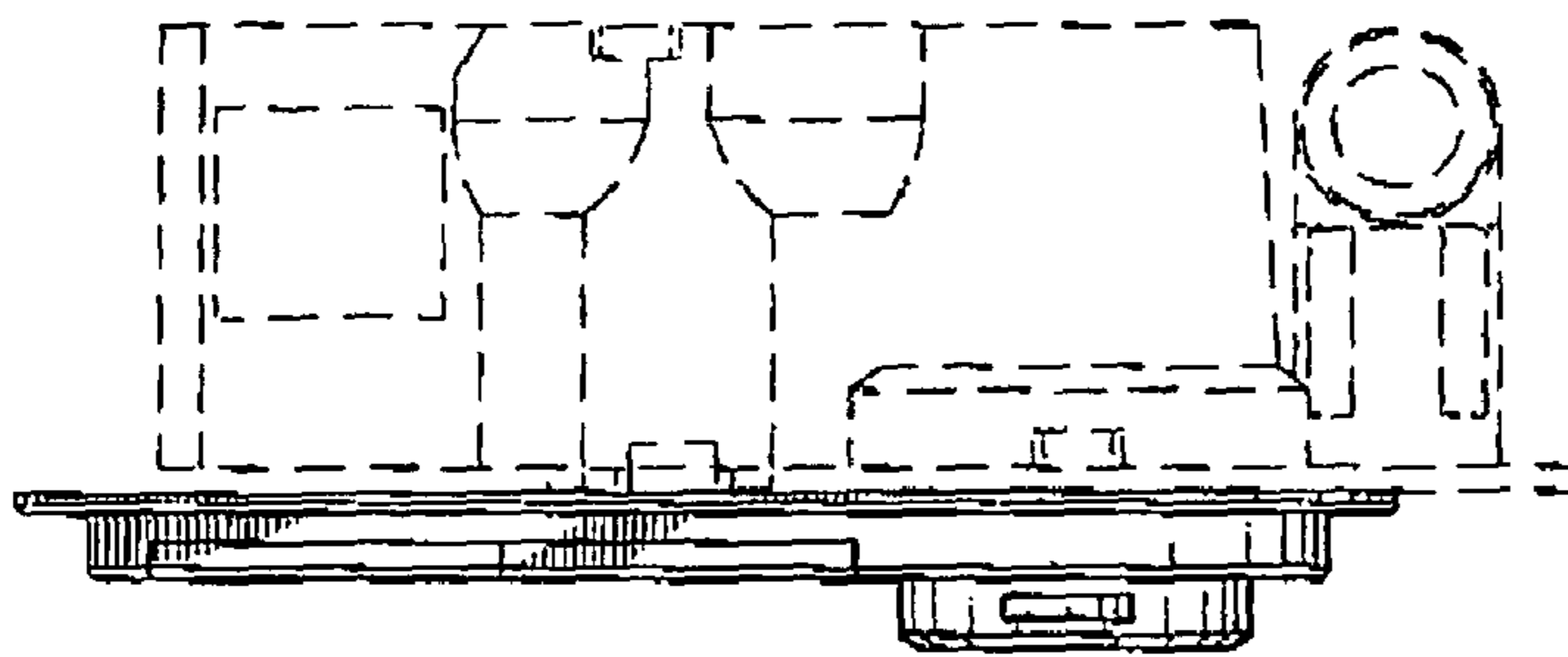


FIG. 2

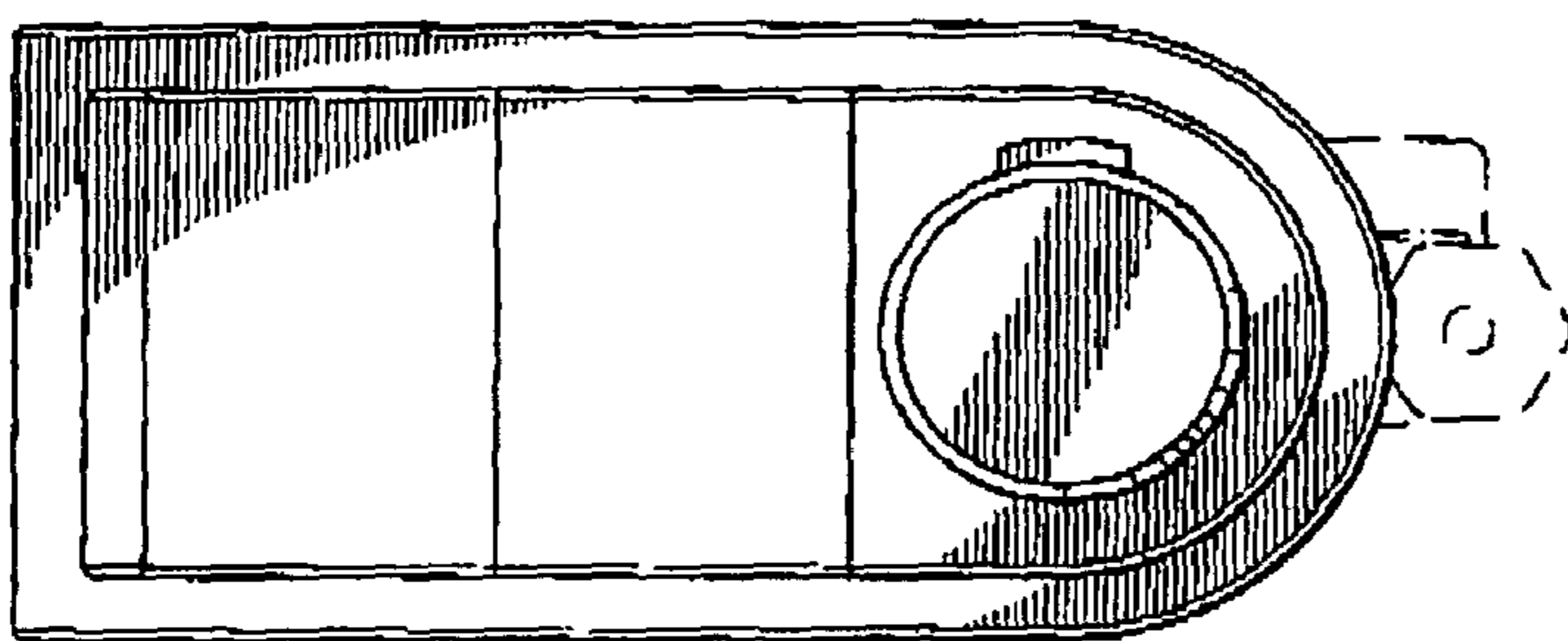


FIG. 3

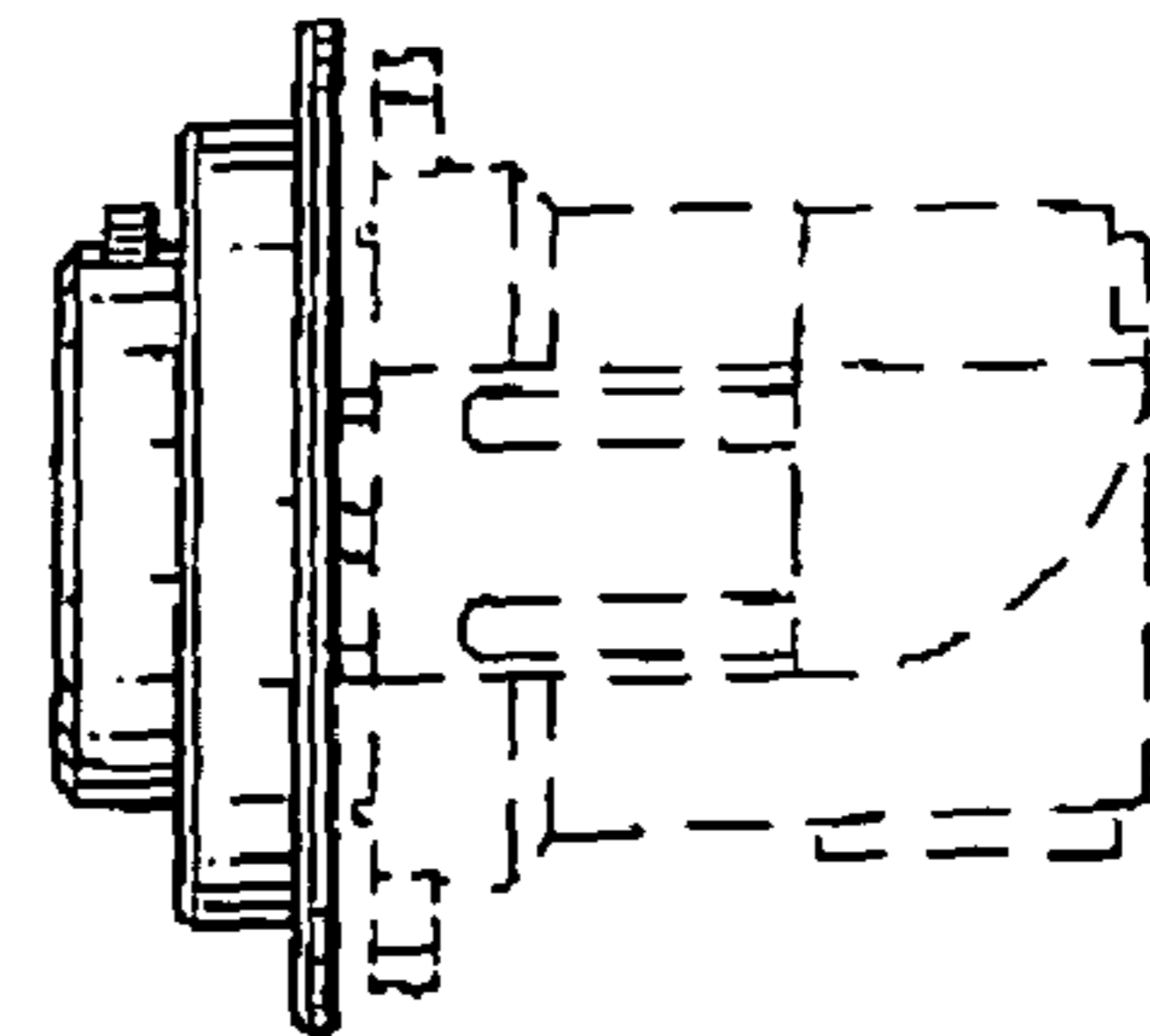


FIG. 4