



US00D621006S

(12) **United States Design Patent**
Cummings et al.

(10) **Patent No.:** **US D621,006 S**
(45) **Date of Patent:** **** Aug. 3, 2010**

(54) **MIXER TAP**

D510,611 S 10/2005 Jorgensen et al.

(75) Inventors: **Steph** **John Cummings**, Newport (AU); **David Giorgio**, Five Dock (AU)

(Continued)

(73) Assignee: **Caroma Industries Limited**, Brisbane (AU)

FOREIGN PATENT DOCUMENTS

AU 12592/2008 5/2008

(**) Term: **14 Years**

(21) Appl. No.: **29/361,606**

(Continued)

(22) Filed: **May 13, 2010**

Primary Examiner—T. Chase Nelson

Assistant Examiner—Mark Cavanna

(74) *Attorney, Agent, or Firm*—Dascenzo Intellectual Property Law, P.C.

Related U.S. Application Data

(62) Division of application No. 29/328,323, filed on Nov. 21, 2008.

(57) **CLAIM**

We claim the ornamental design for a mixer tap, as shown and described.

(30) **Foreign Application Priority Data**

May 28, 2008	(AU)	12594/2008
Nov. 12, 2008	(AU)	15340/2008
Nov. 12, 2008	(AU)	15343/2008
Nov. 12, 2008	(AU)	15345/2008

DESCRIPTION

FIG. 1 is an isometric front view showing the new design.

FIG. 2 is an isometric rear view of the new design.

FIG. 3 is a front view of the new design.

FIG. 4 is a rear view of the new design.

FIG. 5 is a right side view of the new design.

FIG. 6 is a left side view of the new design.

FIG. 7 is a top view of the new design; and,

FIG. 8 is a bottom view of the new design.

The broken line(s) shown in the drawings are for illustrative purposes only and form no part of the claimed design.

The shading lines shown in the drawings represent the approximate three-dimensional contour of the design, and are not intended to indicate surface decoration.

(51) **LOC (9) Cl.** **23-01**

(52) **U.S. Cl.** **D23/238**

(58) **Field of Classification Search** D23/200, D23/238-257; D6/512, 546, 550; D8/300, D8/307-308, 310-312, 321; 4/675-678; 137/801; 16/110.1, 441

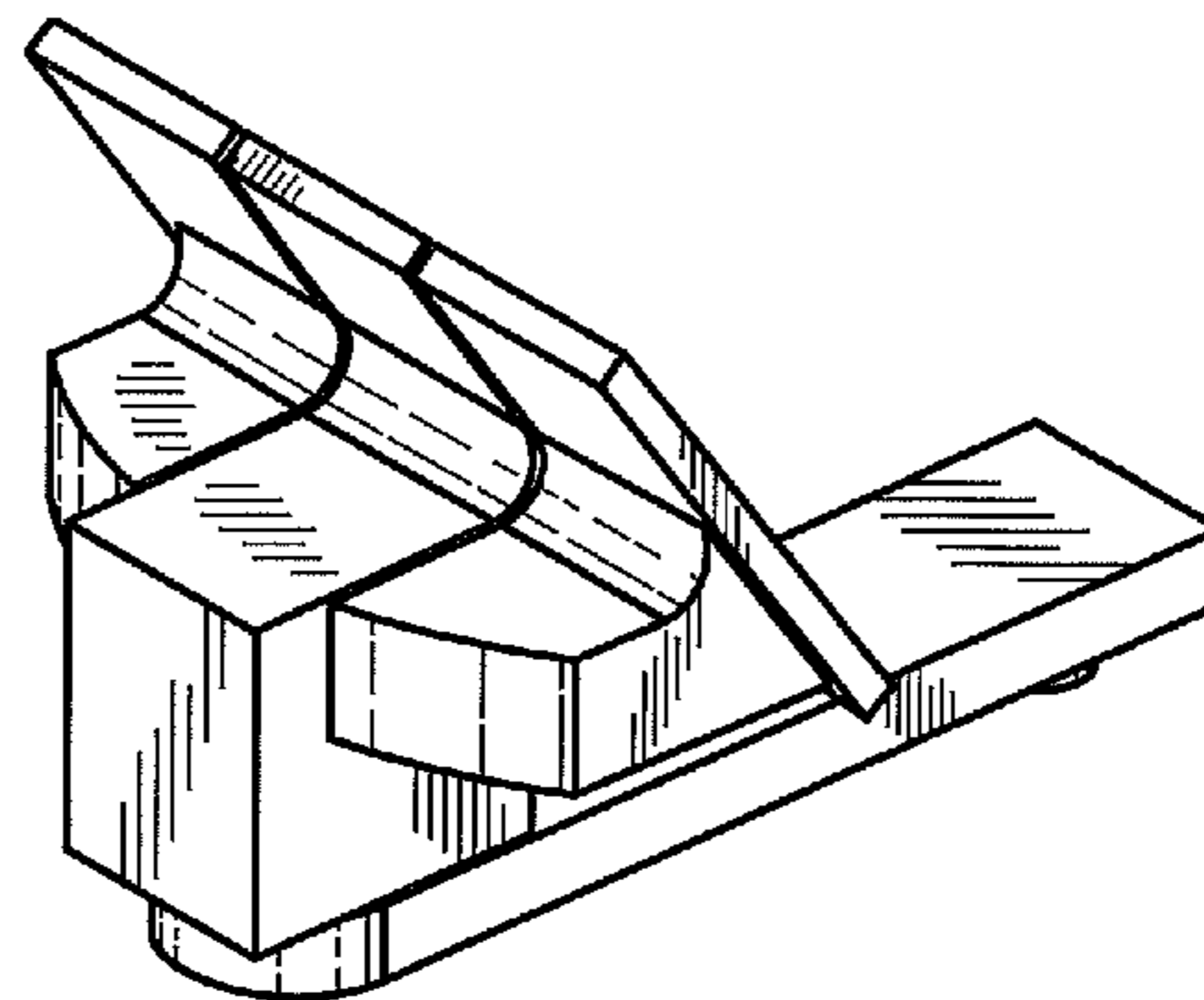
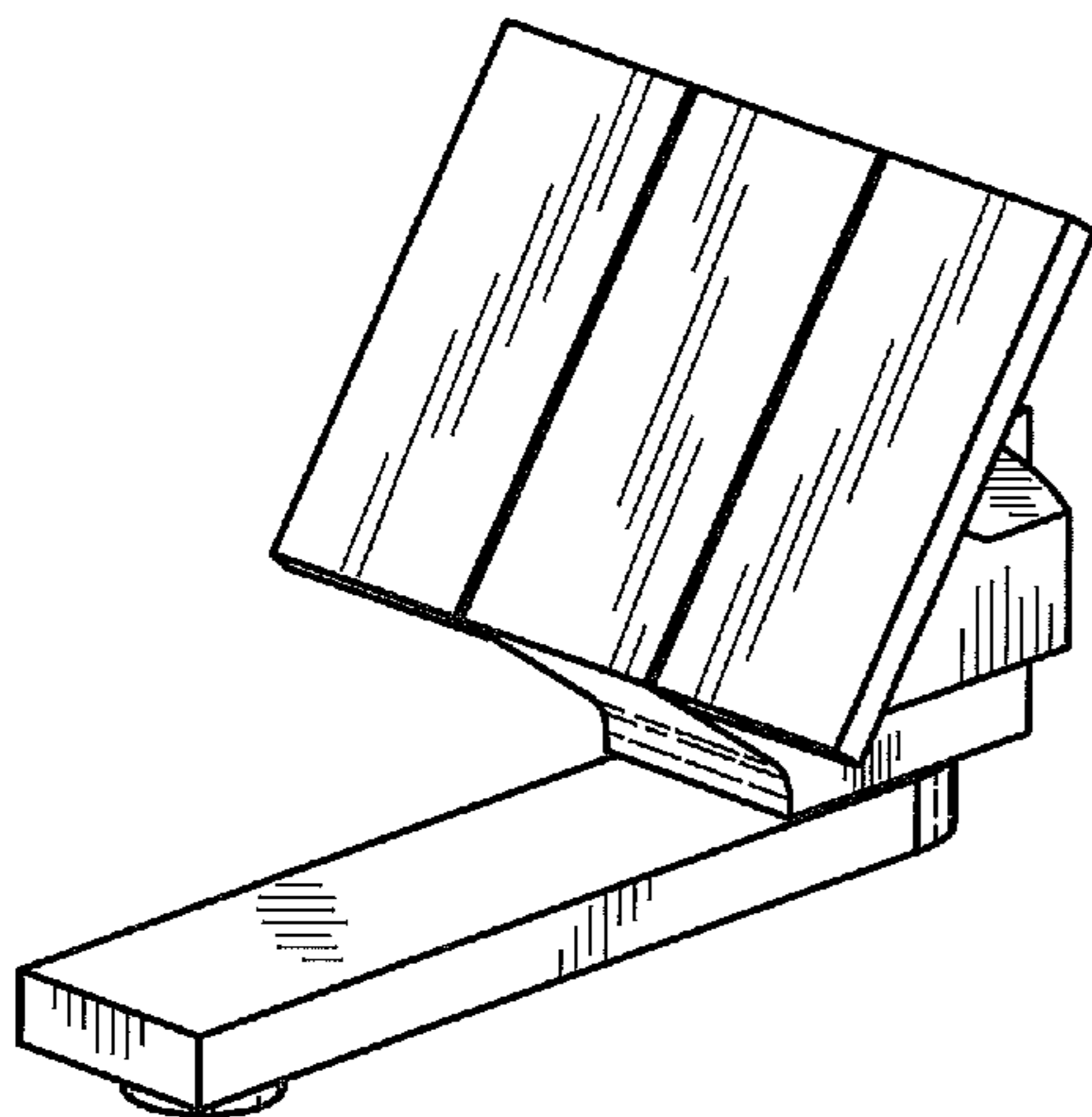
See application file for complete search history.

(56) **References Cited**

U.S. PATENT DOCUMENTS

D224,403 S	7/1972	Larkin
D265,231 S	6/1982	Paul
D266,104 S	9/1982	Johnson
D271,704 S	12/1983	Paul
D292,430 S	10/1987	Enthoven
D509,565 S	9/2005	Starck

1 Claim, 2 Drawing Sheets



US D621,006 S

Page 2

U.S. PATENT DOCUMENTS

D511,201 S 11/2005 Kulig et al.
D513,059 S 12/2005 Pauls
D517,169 S 3/2006 Ogata et al.
D528,637 S 9/2006 Massaud
D529,133 S 9/2006 Massaud
D529,134 S 9/2006 Massaud
D529,994 S 10/2006 Kulig
D534,619 S 1/2007 Garner
D534,989 S 1/2007 Massaud
D536,423 S 2/2007 Zetsche
D536,767 S 2/2007 Massaud
D540,912 S 4/2007 Qing
D541,906 S 5/2007 Qing
D548,308 S 8/2007 Hoernig

D579,521 S 10/2008 Kulig
D580,024 S 11/2008 Gilbert
D580,524 S 11/2008 Starck
D589,119 S 3/2009 Oh
D590,050 S 4/2009 Miyamoto
D596,711 S 7/2009 Sieger
D601,227 S * 9/2009 Sieger D23/242
D602,121 S 10/2009 Yabe et al.
D602,123 S * 10/2009 Sieger D23/242

FOREIGN PATENT DOCUMENTS

AU 12595/2008 5/2008
AU 15344/2008 11/2008
AU 15347/2008 11/2008

* cited by examiner

Fig. 1

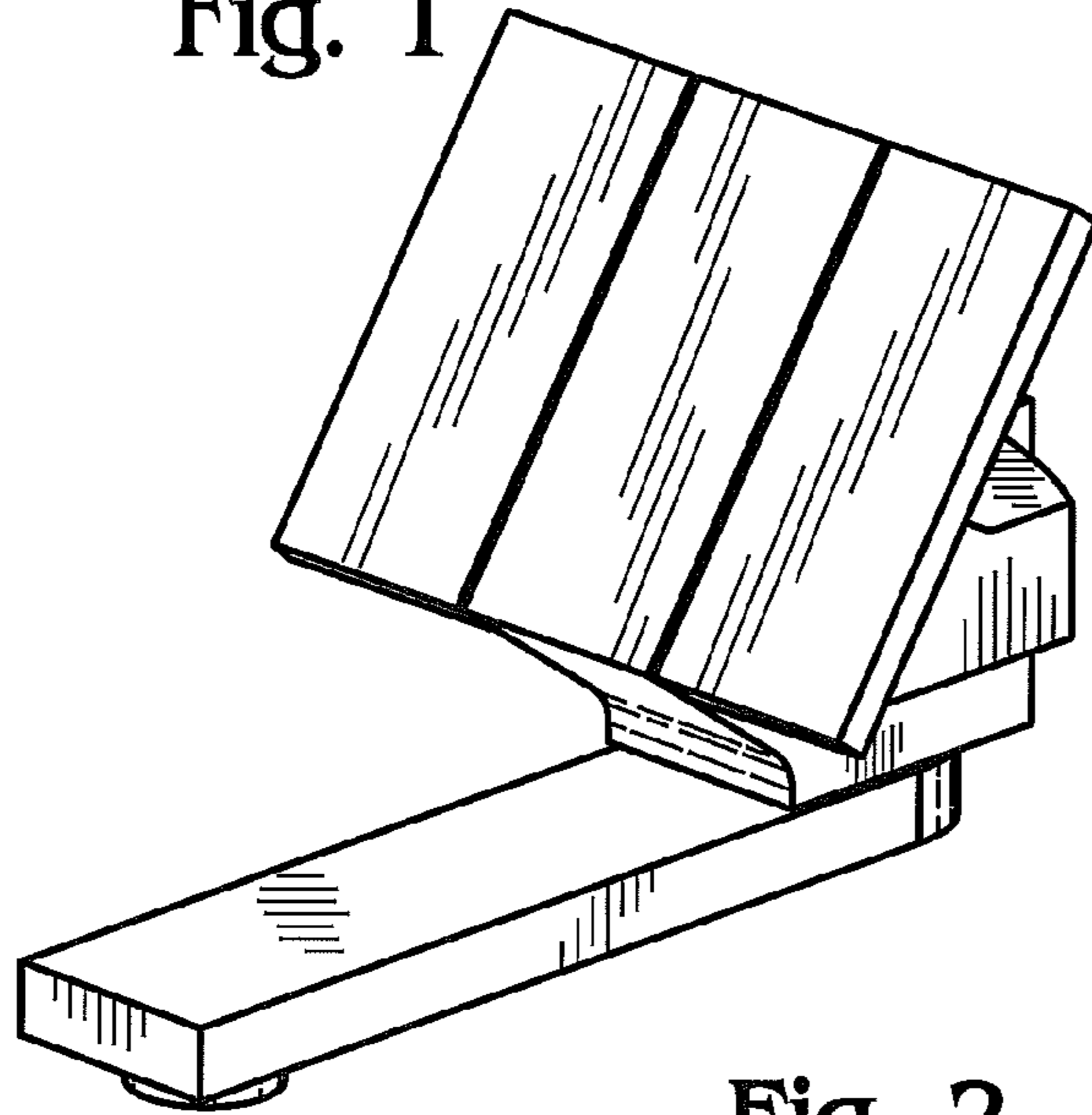


Fig. 2

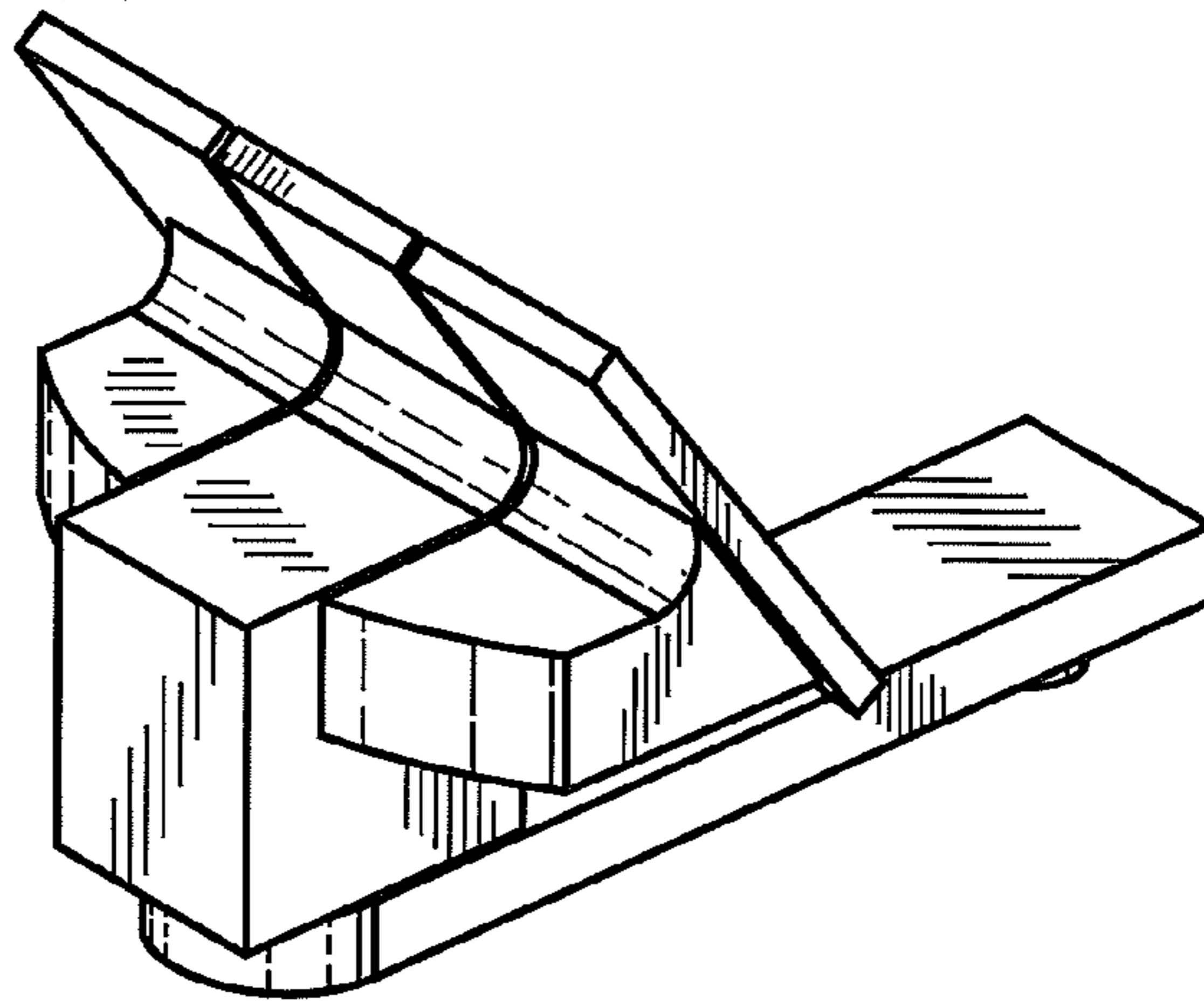


Fig. 3

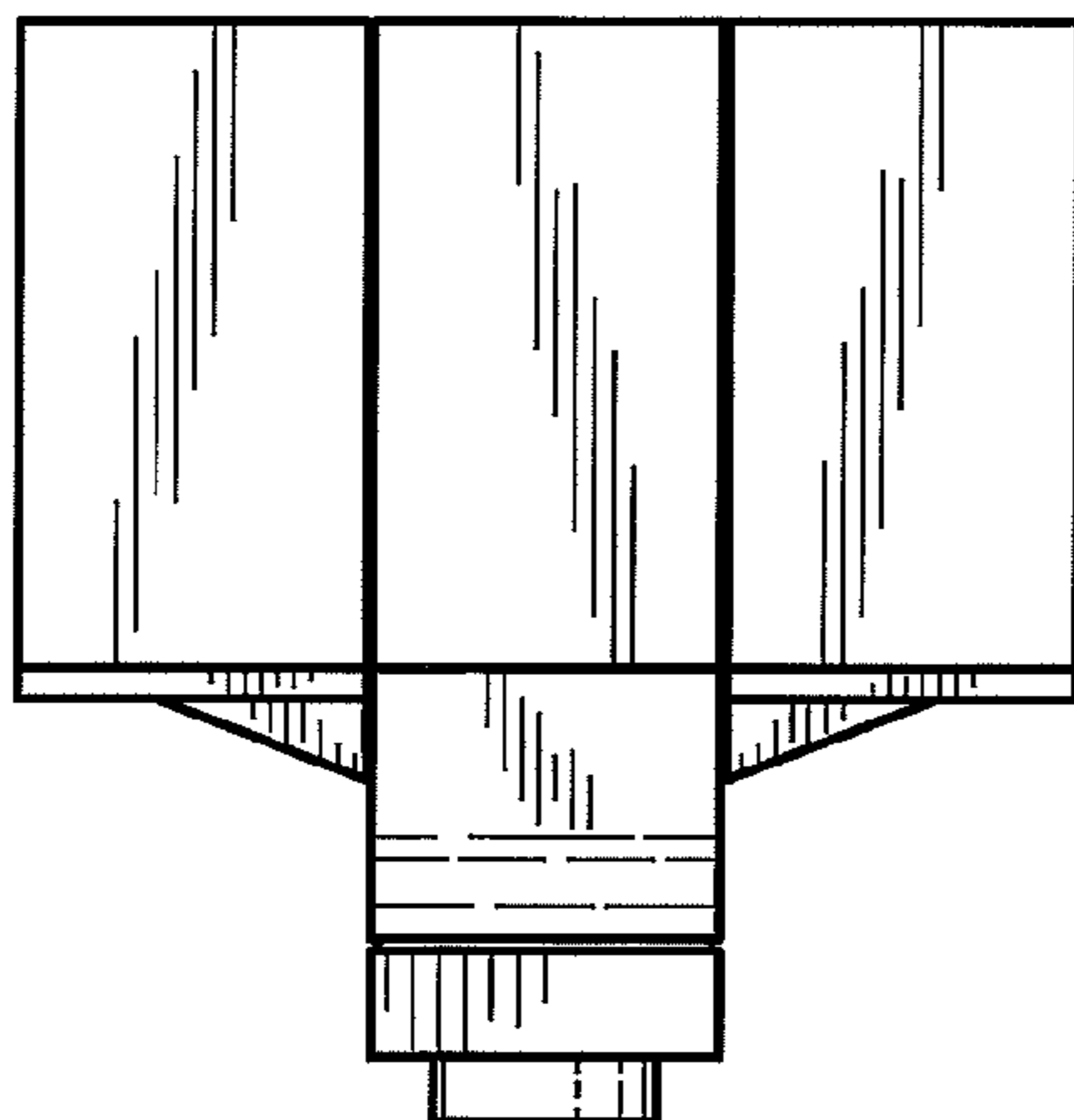
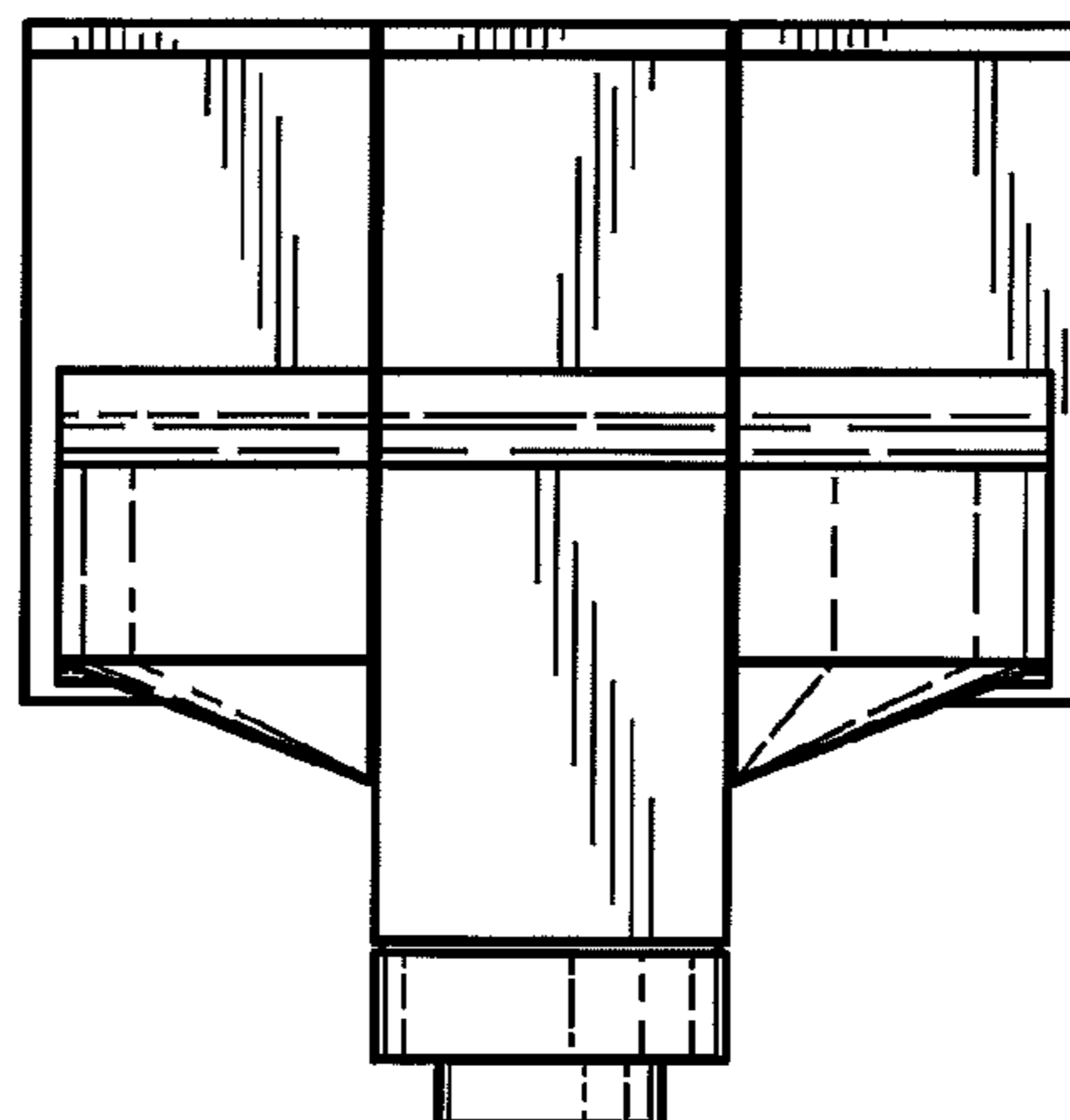


Fig. 4



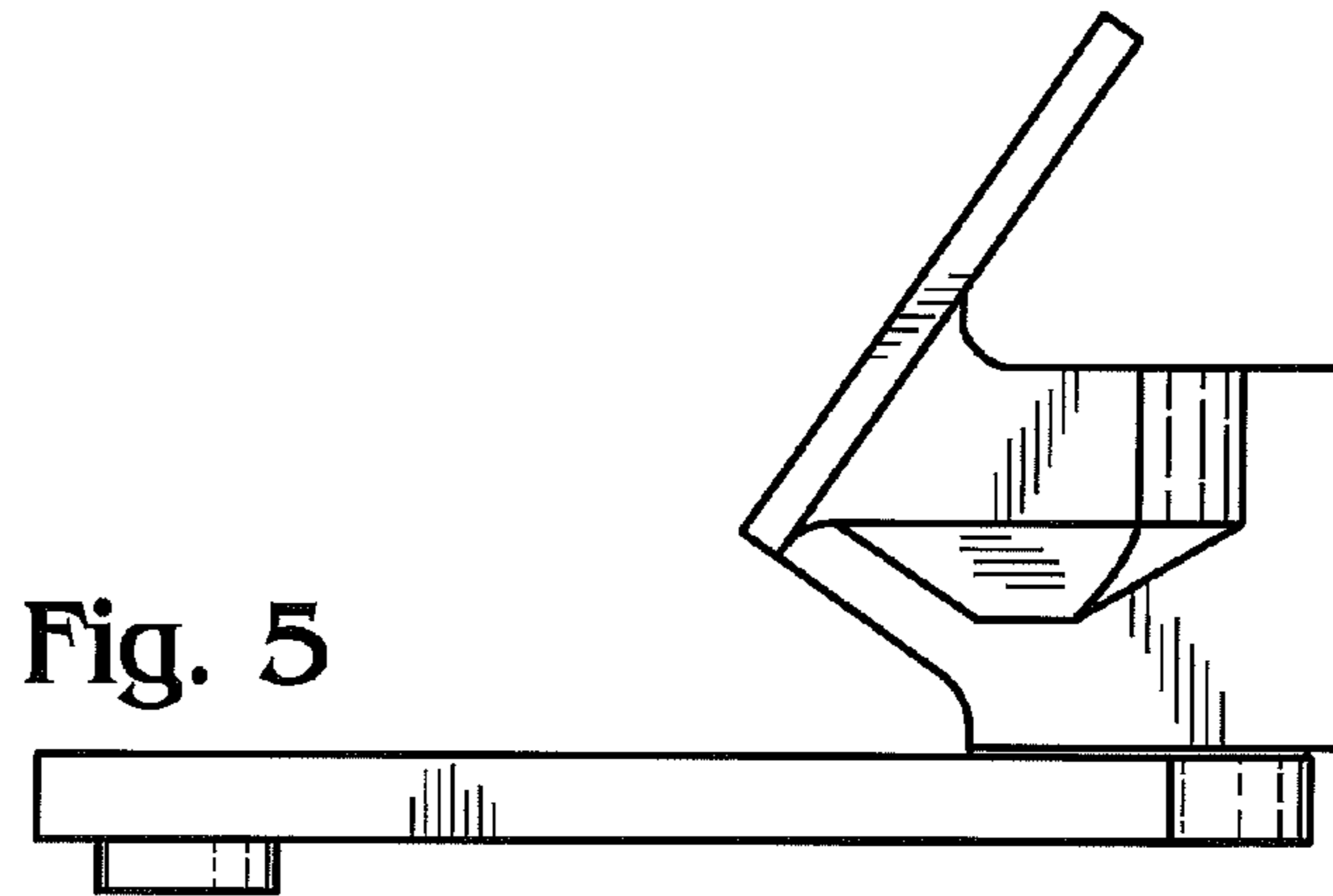


Fig. 5

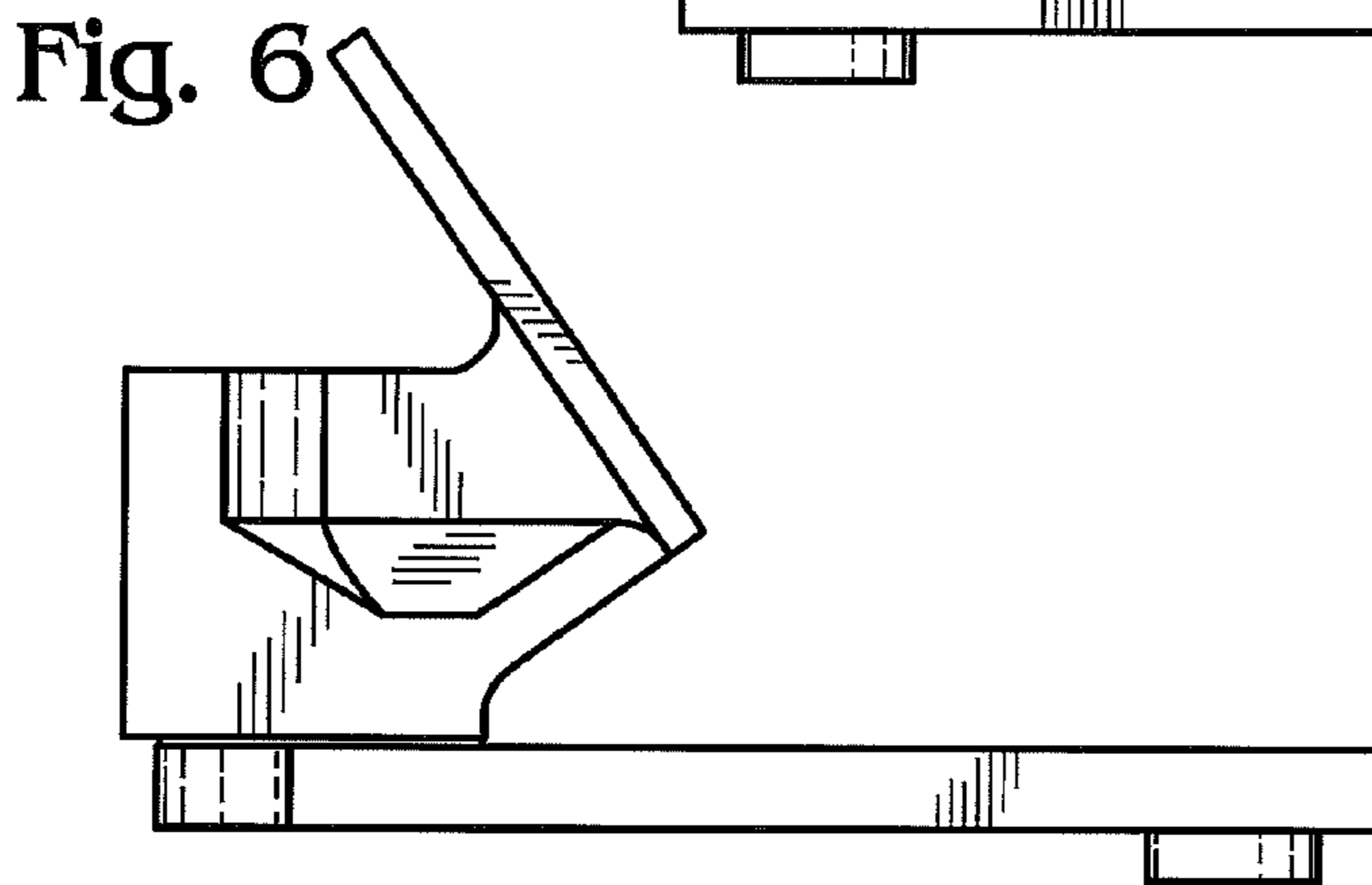


Fig. 6

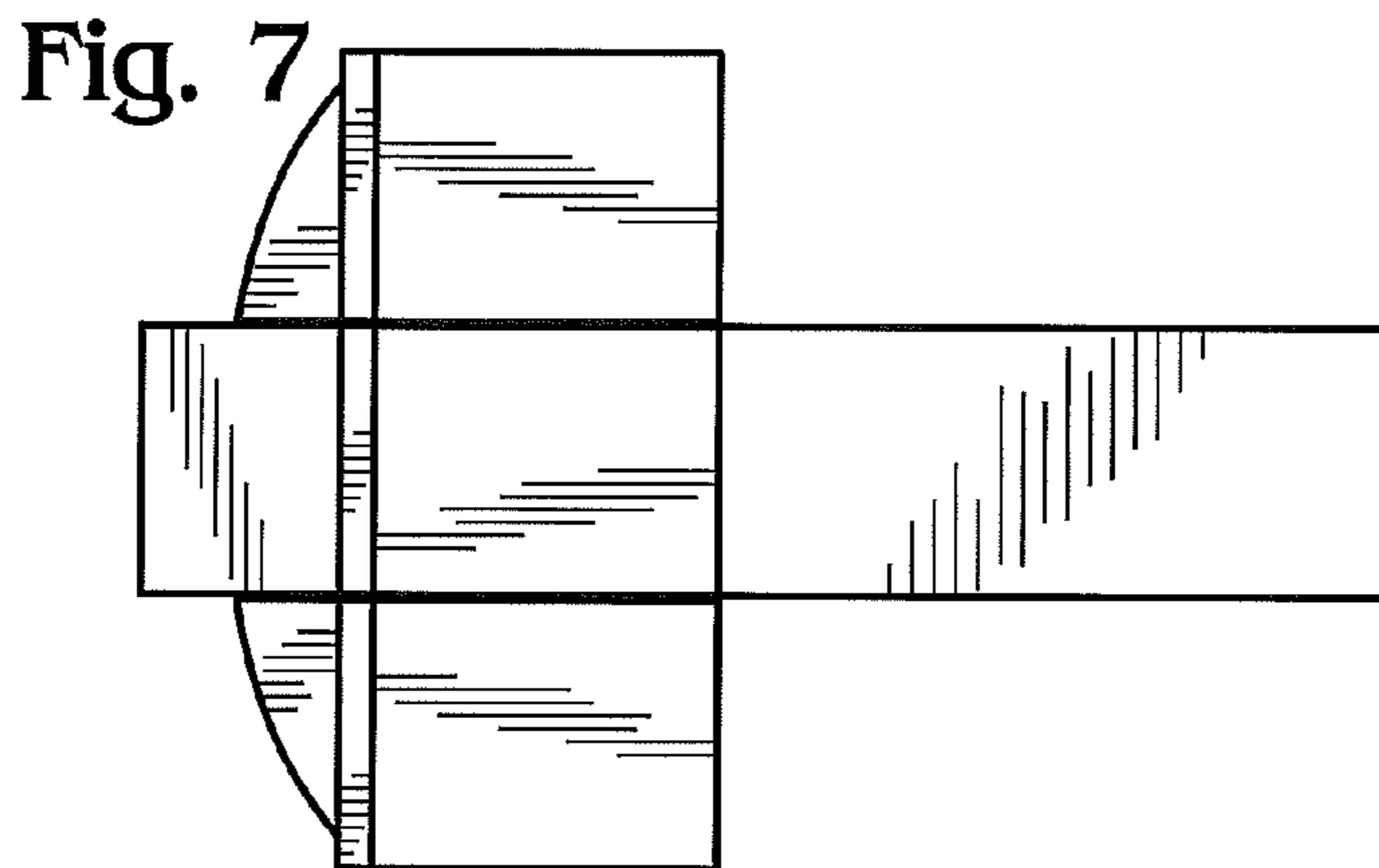


Fig. 7

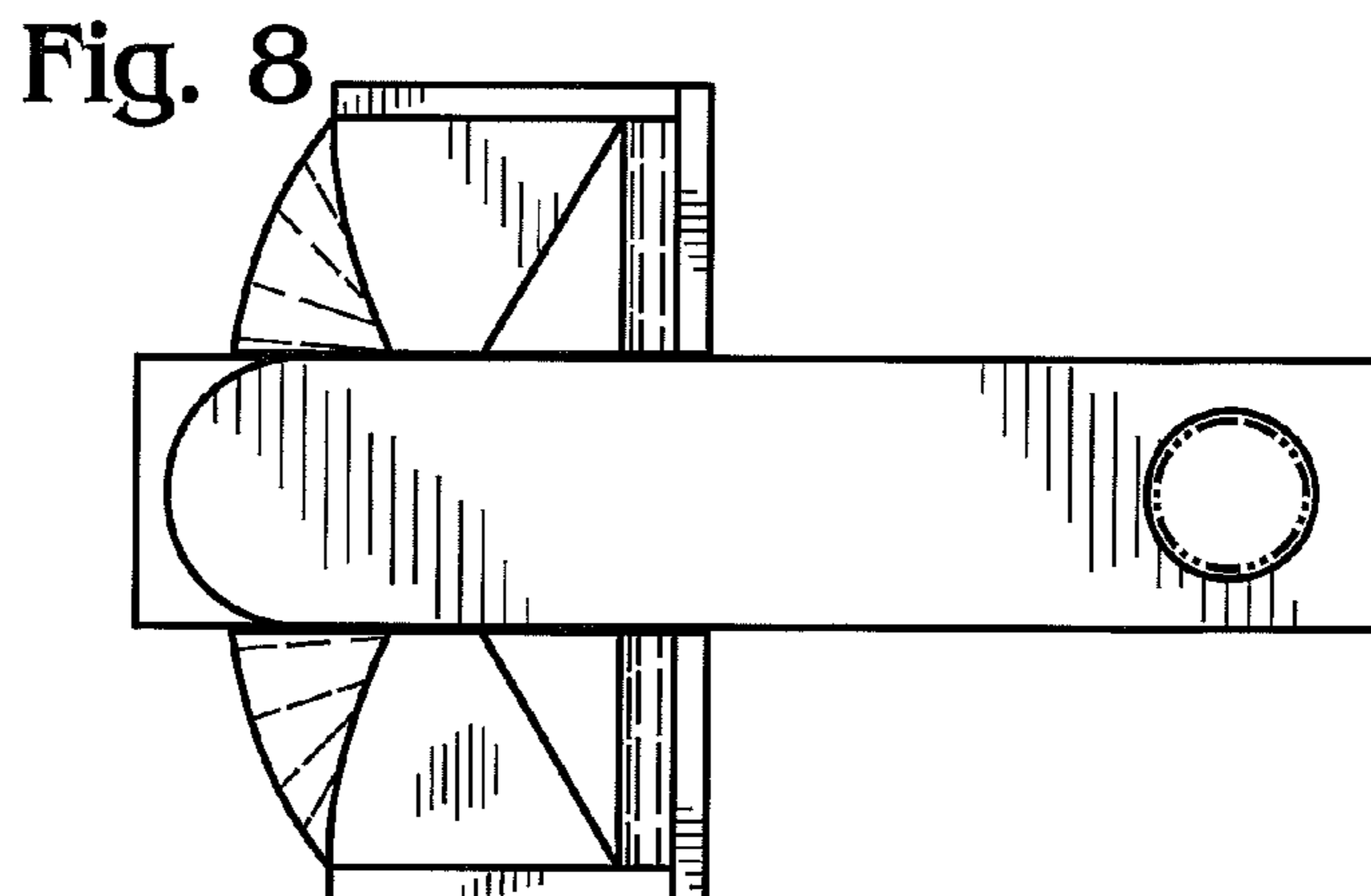


Fig. 8