



US00D621004S

(12) **United States Design Patent**
Kulig

(10) **Patent No.:** **US D621,004 S**
(45) **Date of Patent:** **** Aug. 3, 2010**

(54) **FAUCET**

(75) Inventor: **Zbigniew Kulig**, Wadsworth, IL (US)

(73) Assignee: **Graff Faucets**, Milwaukee, WI (US)

(**) Term: **14 Years**

(21) Appl. No.: **29/340,739**

(22) Filed: **Jul. 24, 2009**

(51) **LOC (9) Cl.** **23-01**

(52) **U.S. Cl.** **D23/238**

(58) **Field of Classification Search** D23/200,
D23/238-257; D6/512, 546, 550; D8/300,
D8/307-308, 310-312, 321; 4/675-678;
137/801; 16/110.1, 441

See application file for complete search history.

(56) **References Cited**

U.S. PATENT DOCUMENTS

D466,977 S *	12/2002	Cummings	D23/238
D505,995 S	6/2005	Kulig et al.		
D510,978 S	10/2005	Kulig		
D517,647 S	3/2006	Kulig		
D517,648 S	3/2006	Kulig et al.		
D524,417 S	7/2006	Kulig		
D529,991 S *	10/2006	Egli et al.	D23/238
D532,084 S *	11/2006	Toyohara	D23/238
D541,381 S *	4/2007	Haug et al.	D23/238
D548,308 S *	8/2007	Hoernig	D23/238
D551,323 S *	9/2007	Krumpe et al.	D23/238
D572,798 S *	7/2008	Bickler et al.	D23/238
D577,104 S *	9/2008	Latorraca	D23/238

D579,521 S	10/2008	Kulig		
D590,479 S *	4/2009	Shieh	D23/238
D594,936 S *	6/2009	Schoenherr et al.	D23/238
D597,175 S *	7/2009	Kulig	D23/238

OTHER PUBLICATIONS

Kulig, U.S. Appl. No. 29/326,195, filed Oct. 14, 2008, entitled "Faucet".

* cited by examiner

Primary Examiner—T. Chase Nelson

Assistant Examiner—Mark Cavanna

(74) *Attorney, Agent, or Firm*—Boyle Fredrickson, S.C.

(57) **CLAIM**

The ornamental design for a faucet, as shown and described.

DESCRIPTION

FIG. 1 is perspective view of a faucet incorporating my new design, viewed from in front of, above, and from the left side of the faucet;

FIG. 2 is a left-side elevation view thereof;

FIG. 3 is a right-side elevation view thereof;

FIG. 4 is a front elevation view thereof;

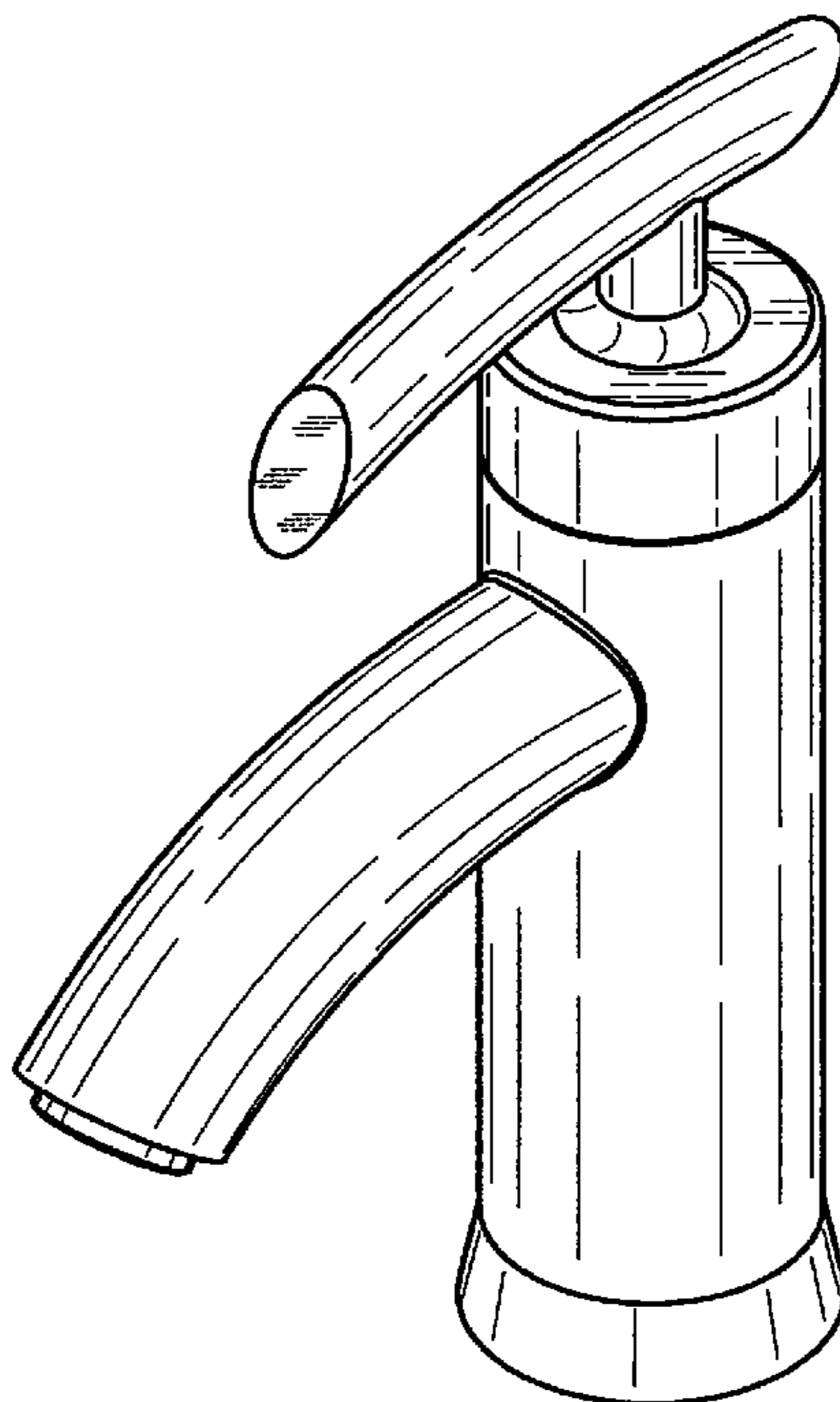
FIG. 5 is a rear elevation view thereof;

FIG. 6 is a top plan view thereof; and,

FIG. 7 is a bottom plan view thereof.

The broken lines shown are included for the purpose of illustrating portions of the faucet that form no part of the claimed design.

1 Claim, 7 Drawing Sheets



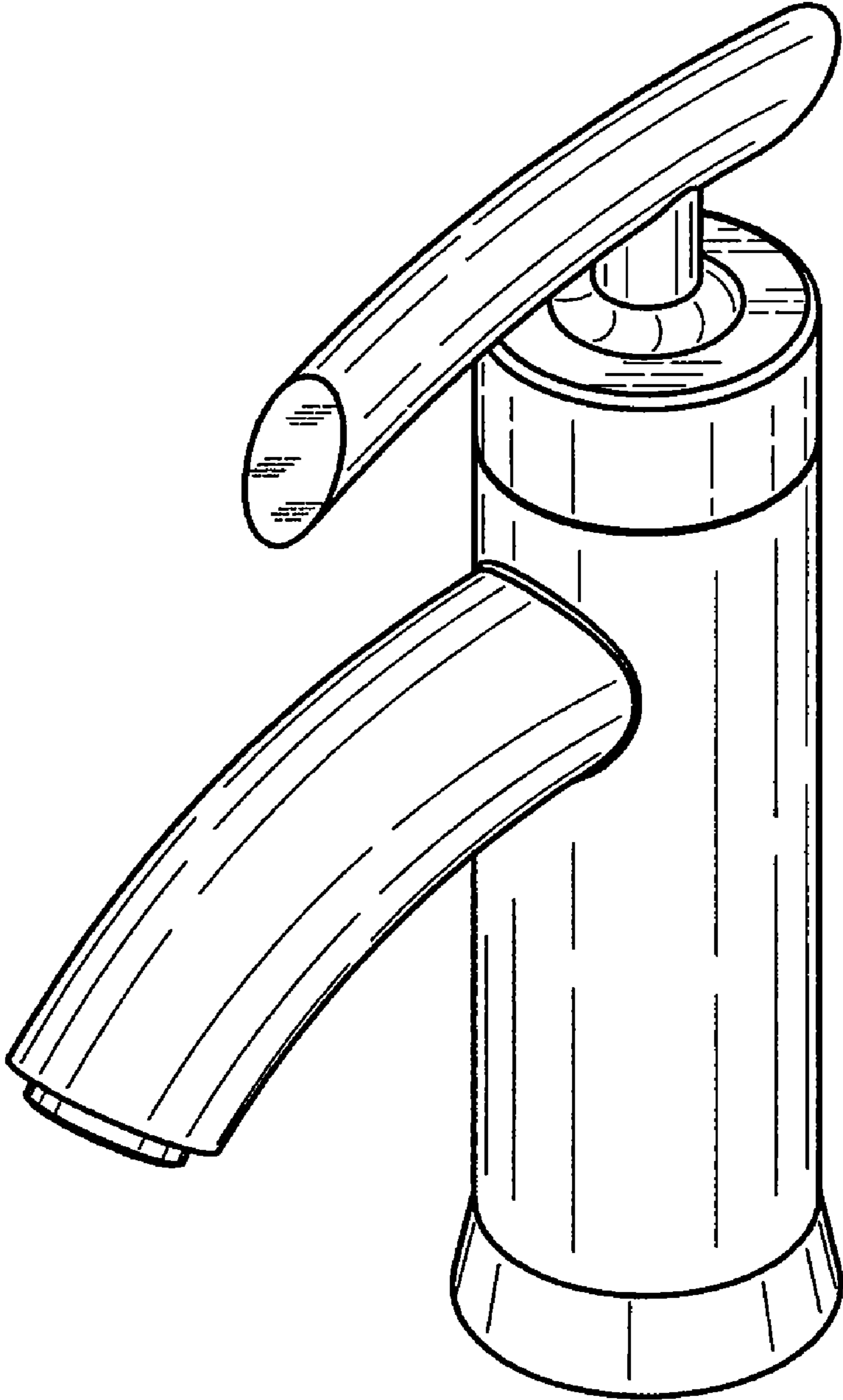


FIG. 1

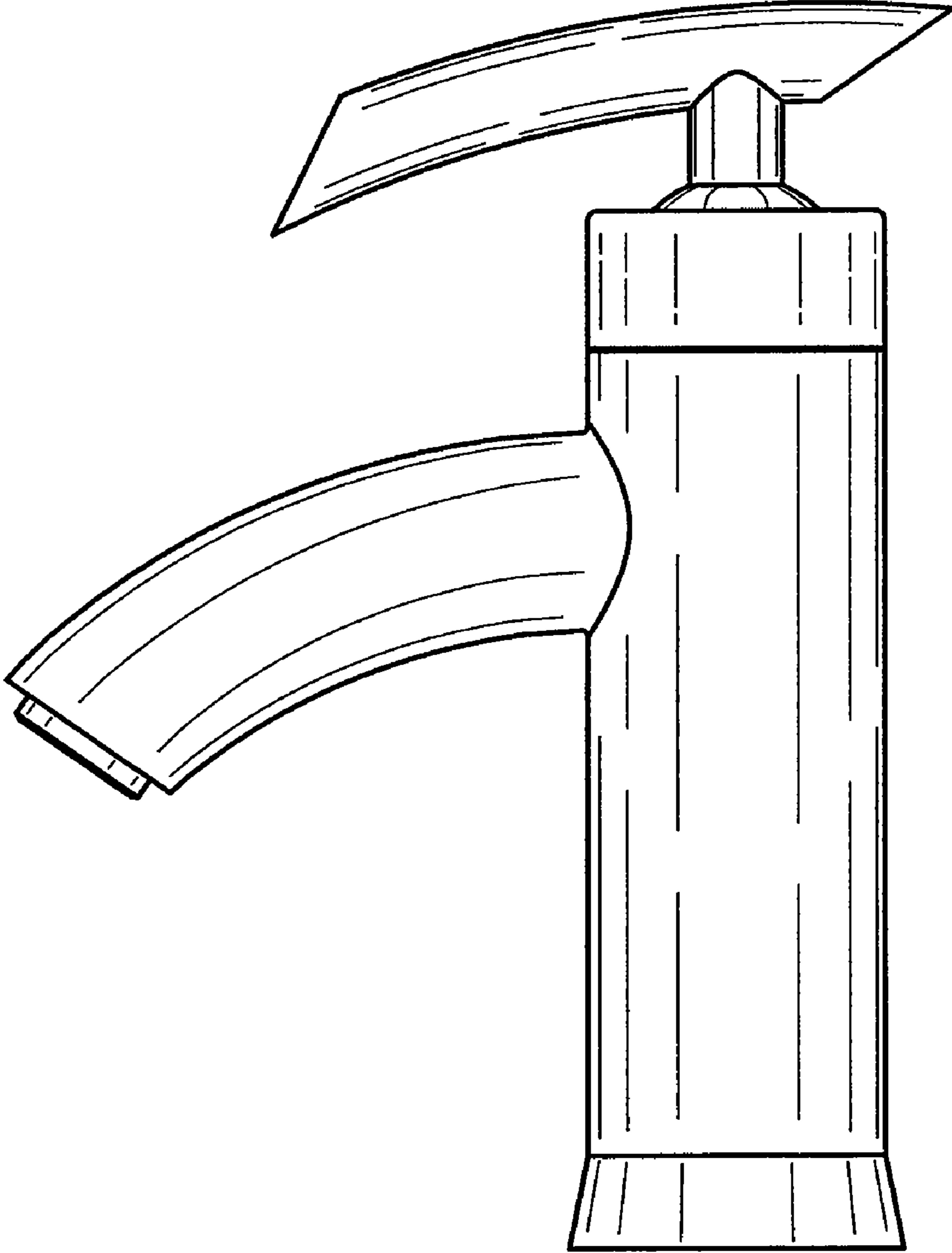


FIG. 2

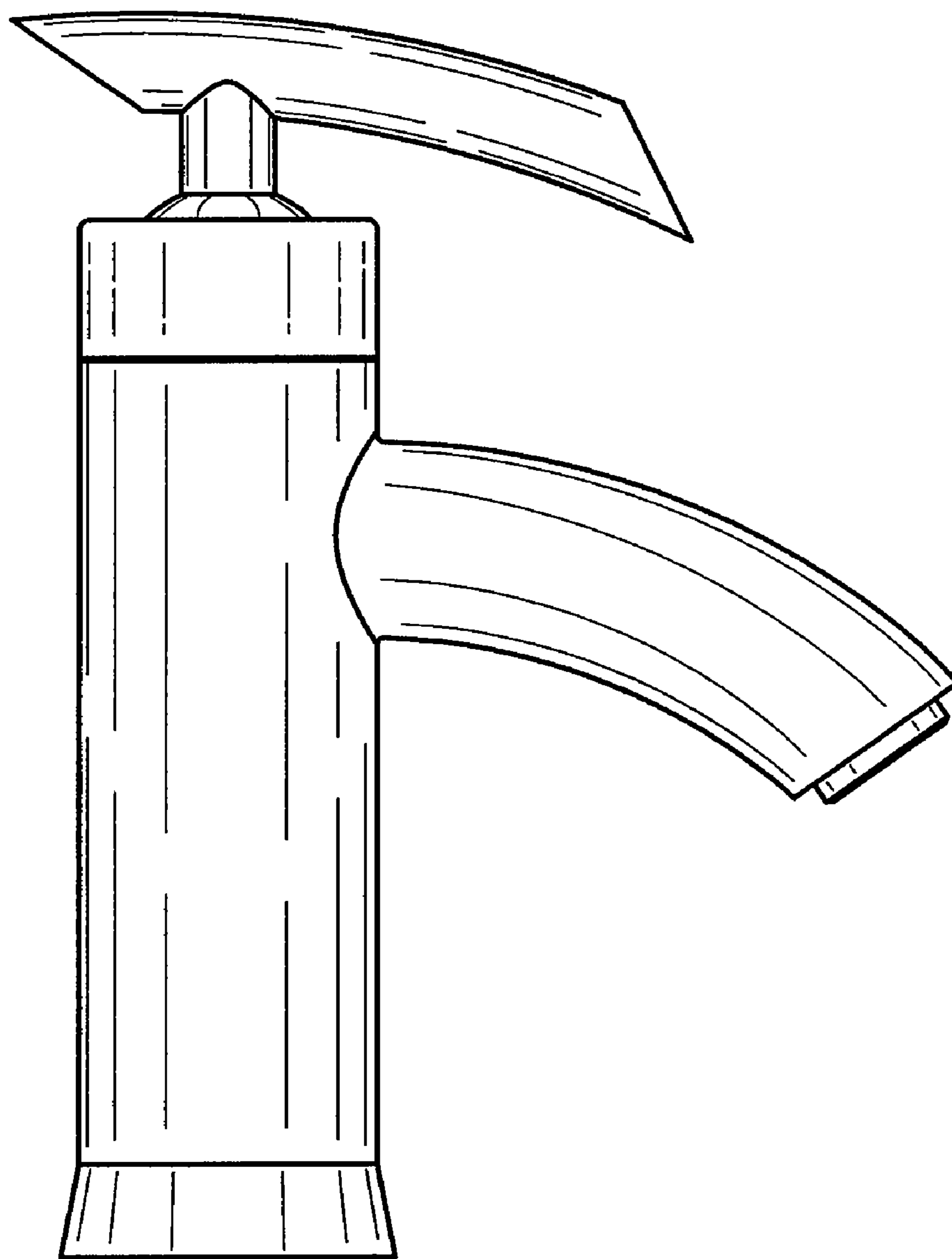


FIG. 3

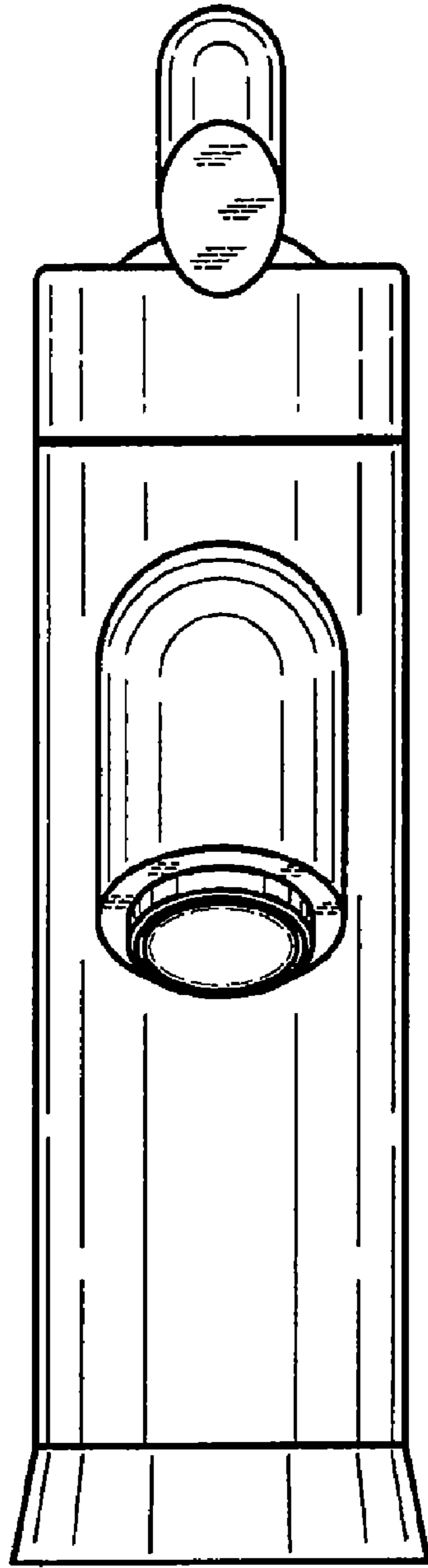


FIG. 4

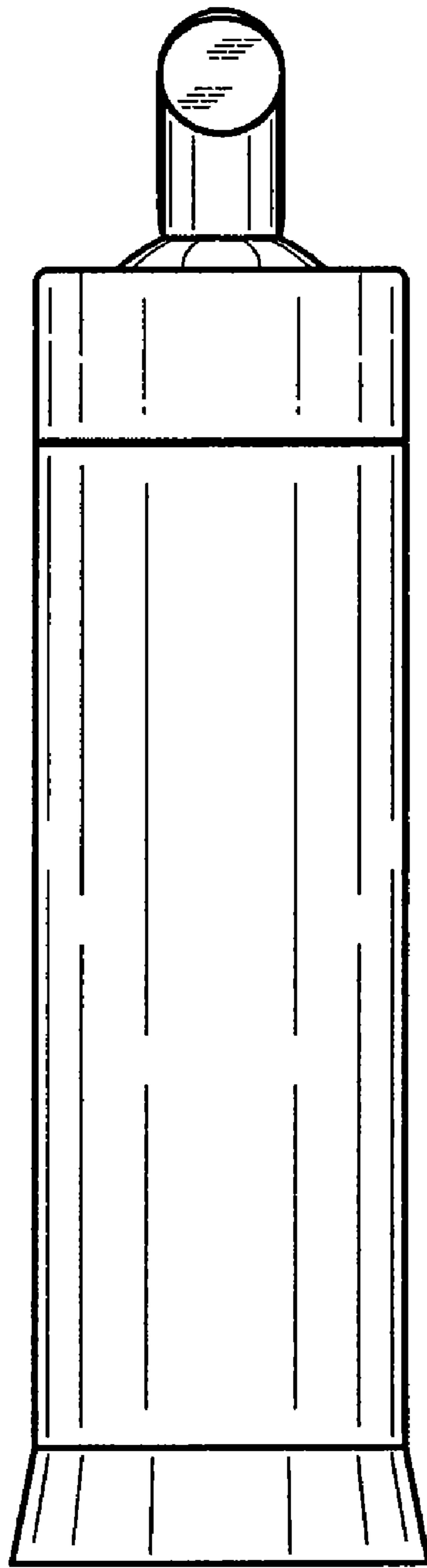


FIG. 5

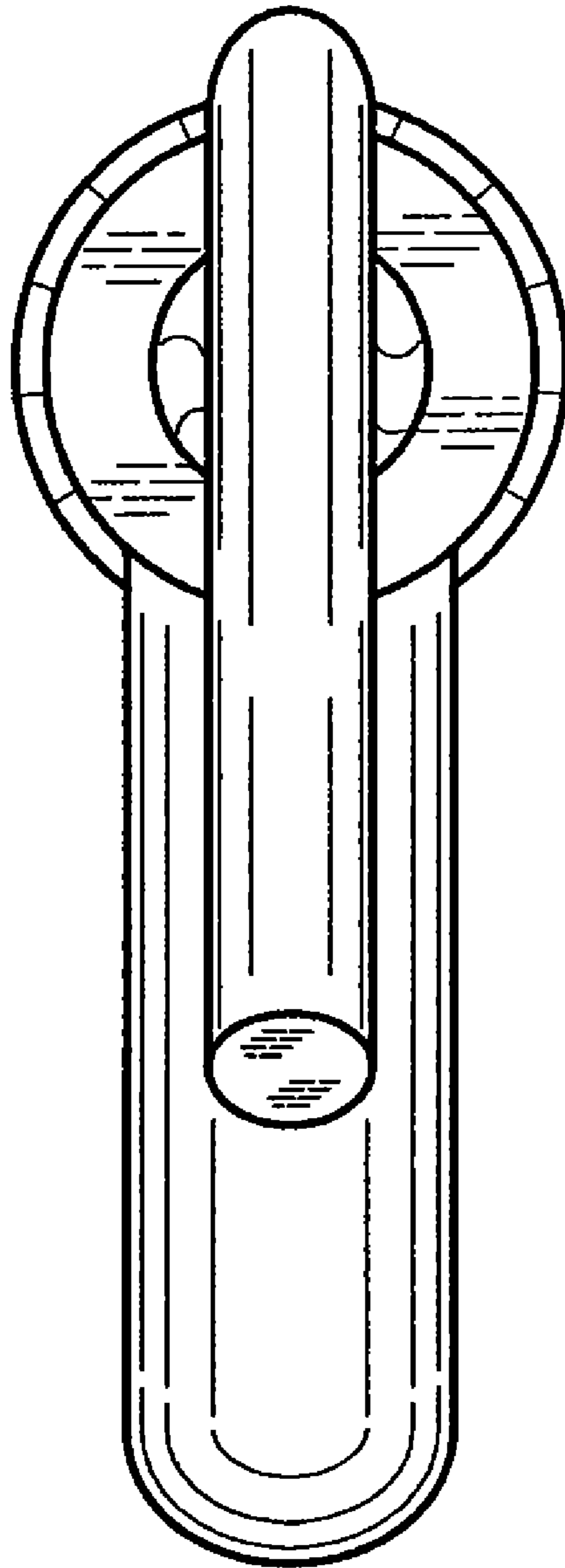


FIG. 6

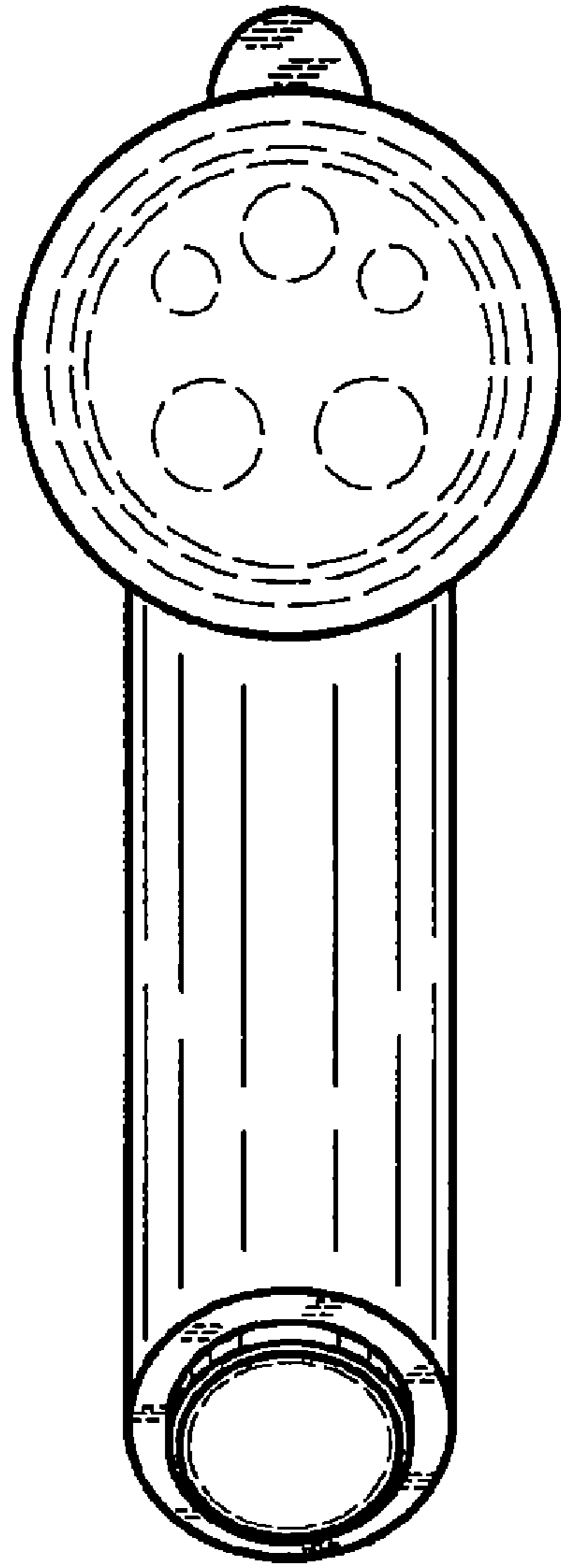


FIG. 7