



US00D621003S

(12) **United States Design Patent**
Gramegna et al.

(10) **Patent No.:** **US D621,003 S**

(45) **Date of Patent:** **** Aug. 3, 2010**

(54) **FLOW CONTROL VALVE**

(75) Inventors: **Gerald Gramegna**, Saddle Brook, NJ (US); **John Neill**, Tappan, NY (US)

(73) Assignee: **Versa Products Company, Inc.**, Paramus, NJ (US)

(**) Term: **14 Years**

(21) Appl. No.: **29/344,805**

(22) Filed: **Oct. 5, 2009**

(51) **LOC (9) Cl.** **23-01**

(52) **U.S. Cl.** **D23/233**

(58) **Field of Classification Search** D23/233–237, D23/244–249; 137/498, 545, 547, 549, 377; 251/62, 63, 63.5, 129.01, 129.1, 129.16–129.18, 251/309, 368

See application file for complete search history.

(56) **References Cited**

U.S. PATENT DOCUMENTS

D246,377 S *	11/1977	Pansini	D23/233
4,552,336 A *	11/1985	Pastrone	251/331
D287,044 S *	12/1986	Hughes	D23/248
4,703,775 A *	11/1987	Pastrone	137/625.3
D332,822 S	1/1993	Reid et al.		
D479,307 S	9/2003	Ferrer Beltran		
D520,520 S	5/2006	Nimberger		
D535,722 S	1/2007	Nimberger		
D538,889 S	3/2007	Marstorp		
D539,386 S *	3/2007	Hayashi et al.	D23/233

D542,382 S	5/2007	Cook et al.		
D558,859 S *	1/2008	Kato et al.	D23/233
D562,436 S *	2/2008	Kato et al.	D23/233
D566,234 S	4/2008	Caron et al.		
D577,103 S	9/2008	Caron et al.		
D585,959 S	2/2009	Caron et al.		
D603,016 S *	10/2009	Matsumura	D23/233

* cited by examiner

Primary Examiner—Cathron C. Brooks

Assistant Examiner—Maurice Stevens

(74) *Attorney, Agent, or Firm*—Greenlee, Winner and Sullivan, P.C.

(57) **CLAIM**

The ornamental design for a flow control valve, as shown and described.

DESCRIPTION

FIG. 1 is a top, front and right perspective view of a flow control valve, showing my new design;

FIG. 2 is a bottom, left and back view thereof;

FIG. 3 is a back, left and top view thereof;

FIG. 4 is a front, right and bottom view thereof;

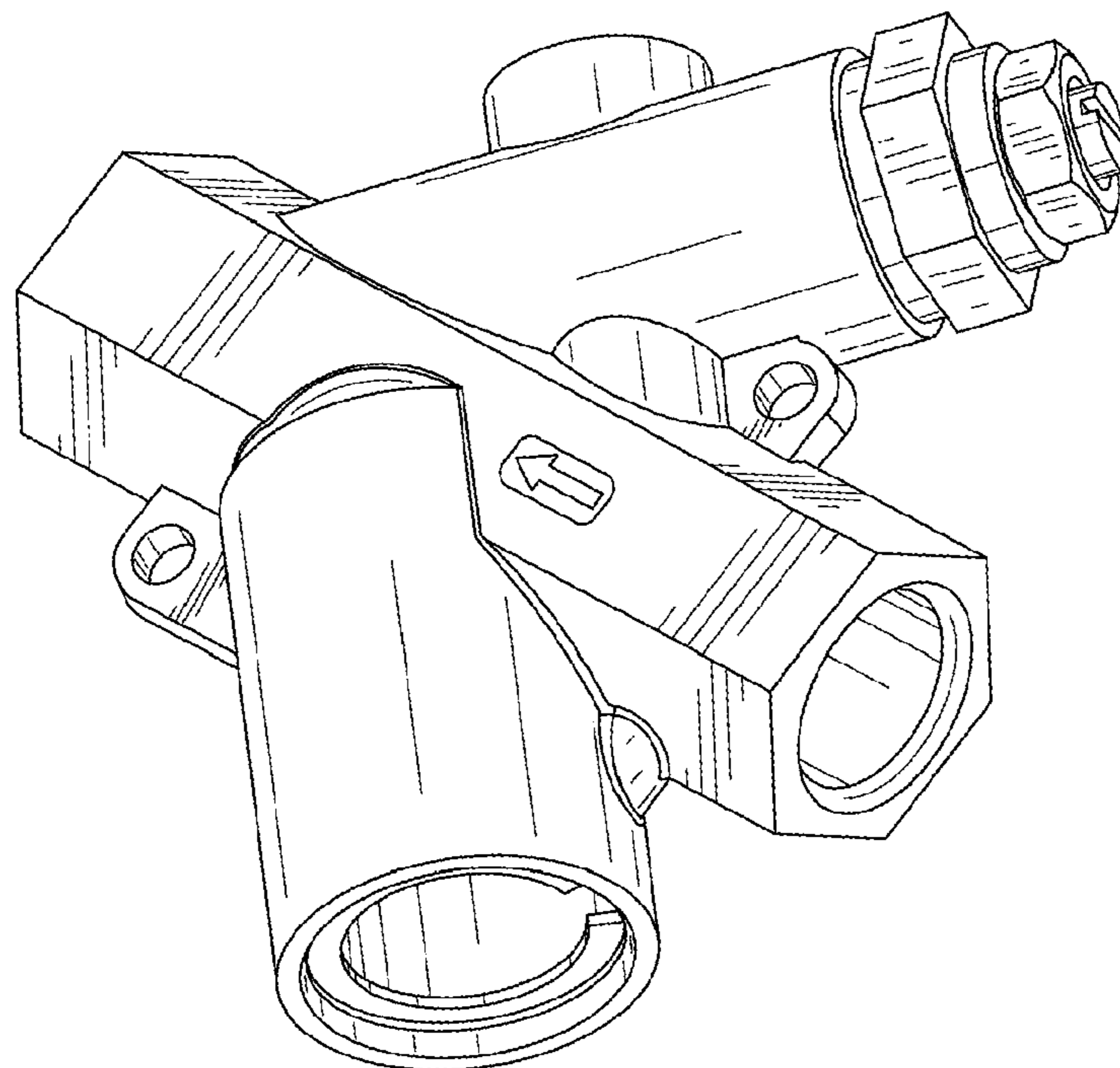
FIG. 5 is a top, front and right perspective view of a second embodiment of the flow control valve of FIG. 1;

FIG. 6 is a bottom, left and back view thereof;

FIG. 7 is a back, left and top view thereof; and,

FIG. 8 is a front, right and bottom view thereof.

1 Claim, 4 Drawing Sheets



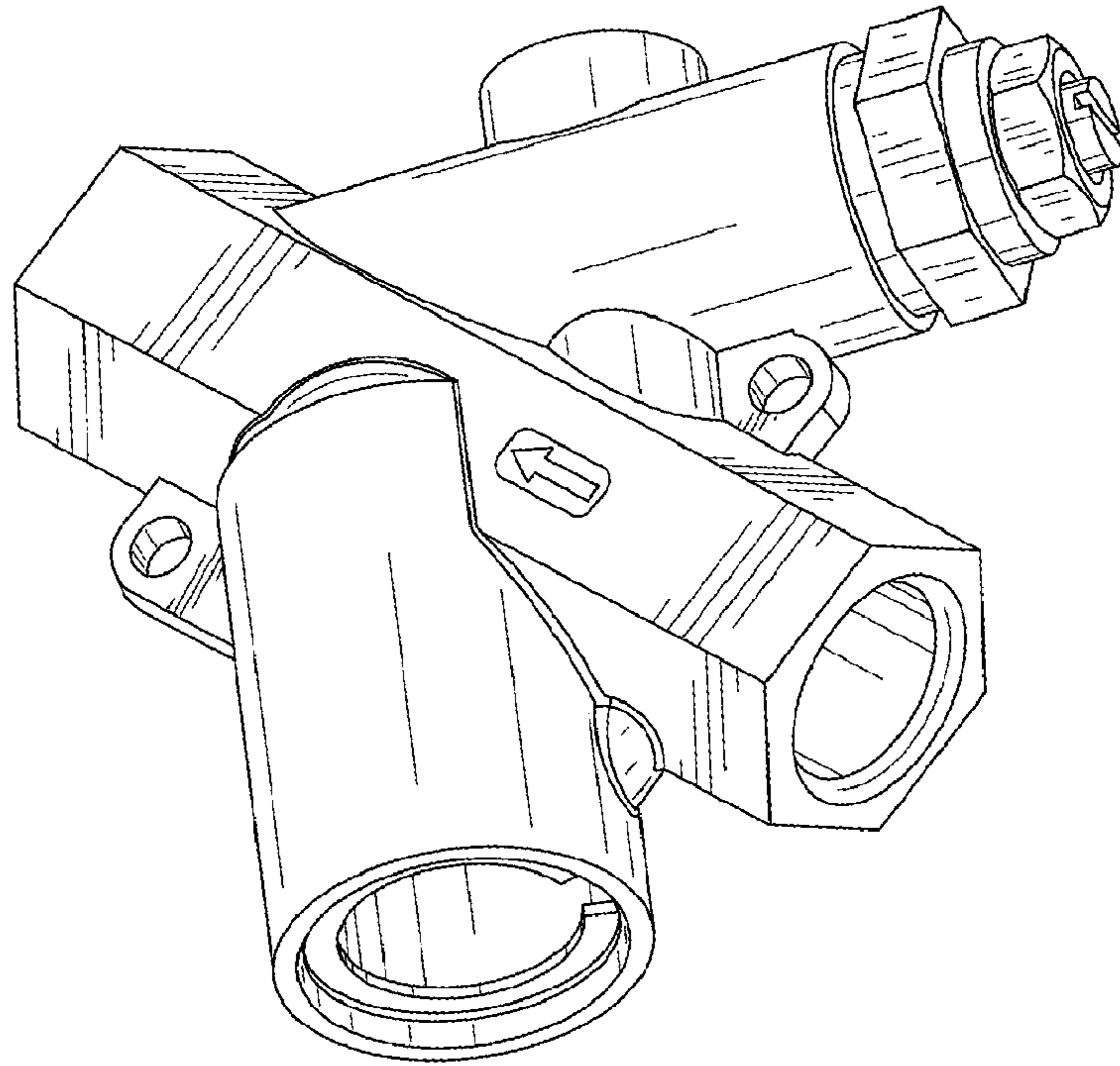


FIG. 1

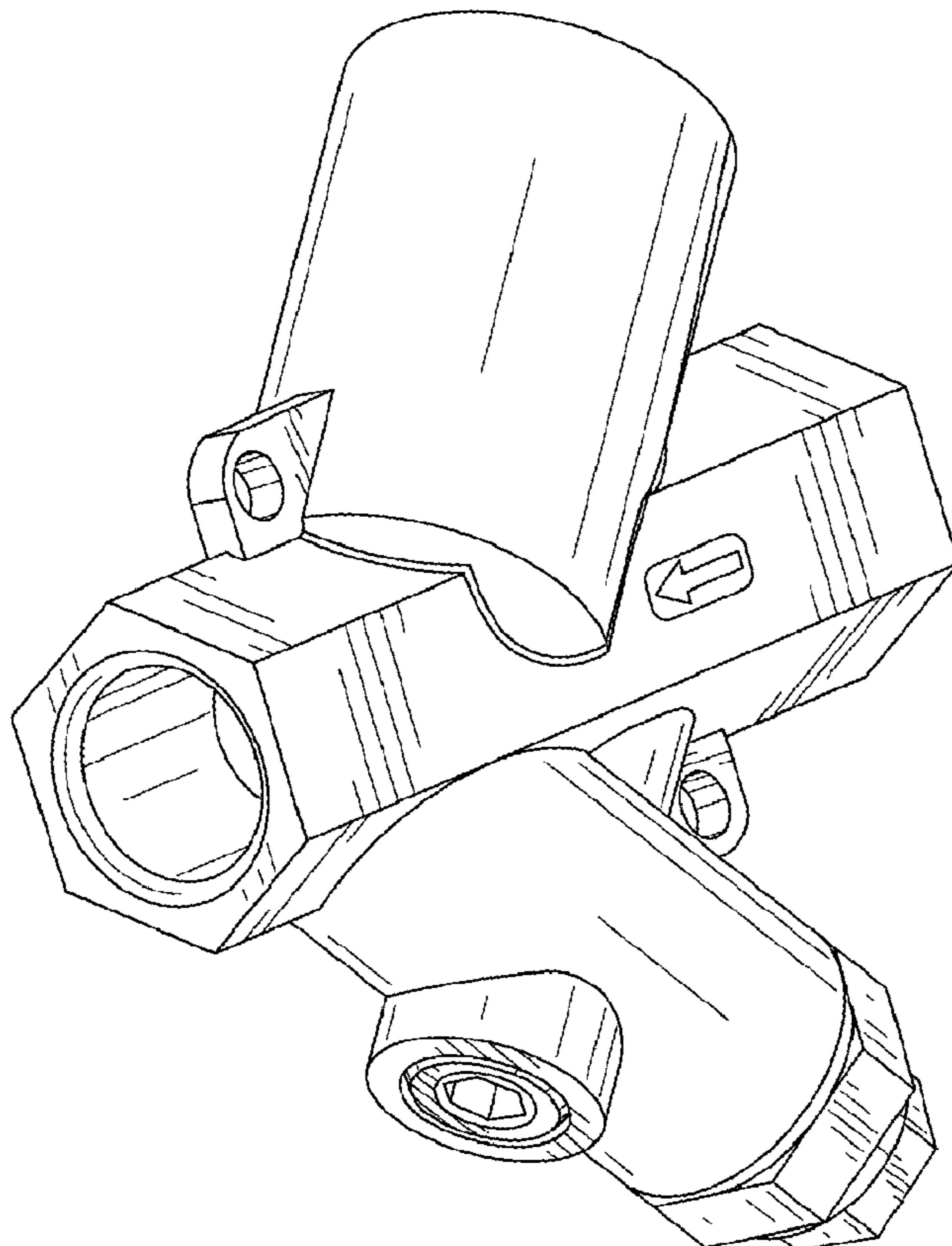


FIG. 2

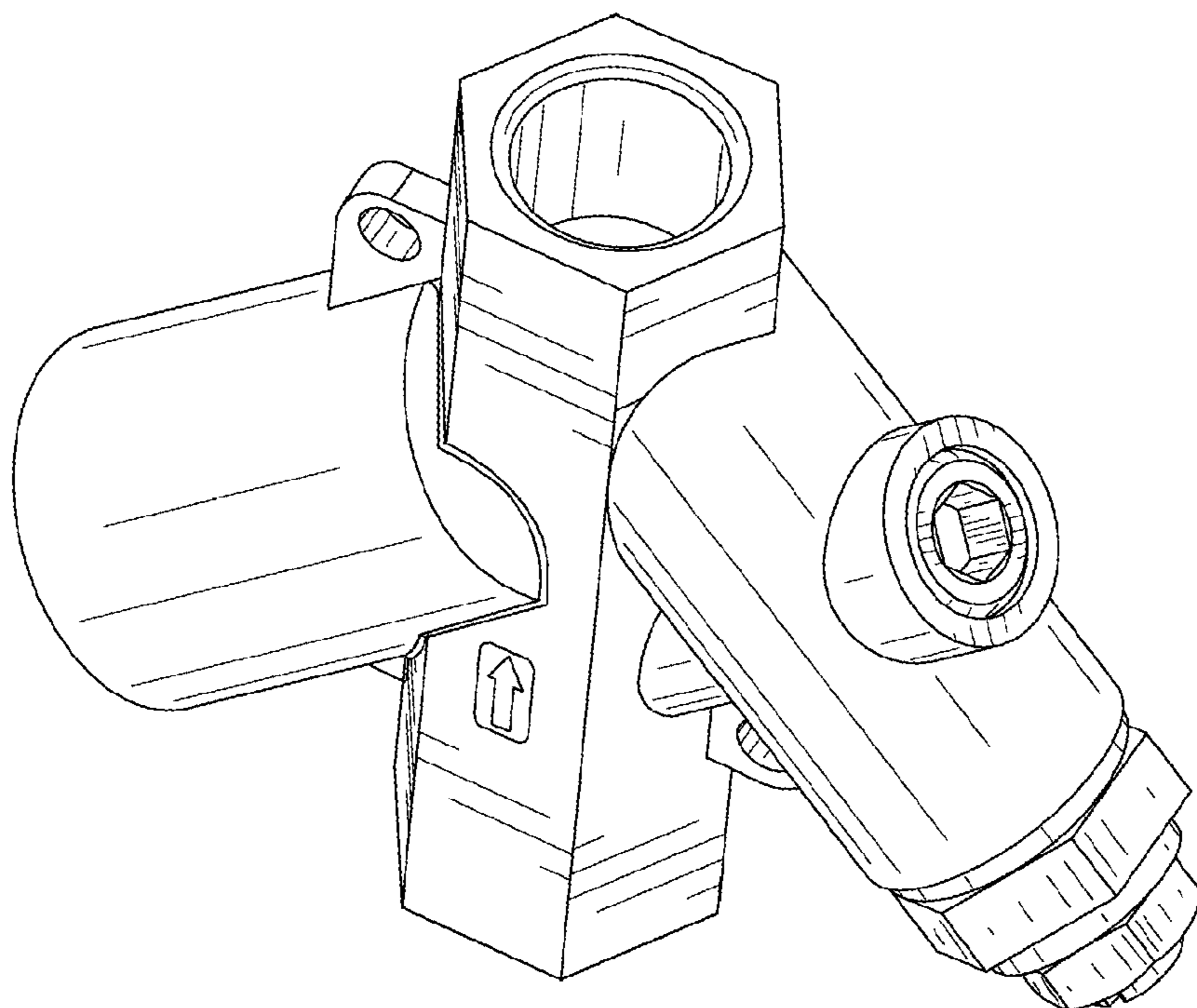


FIG. 3

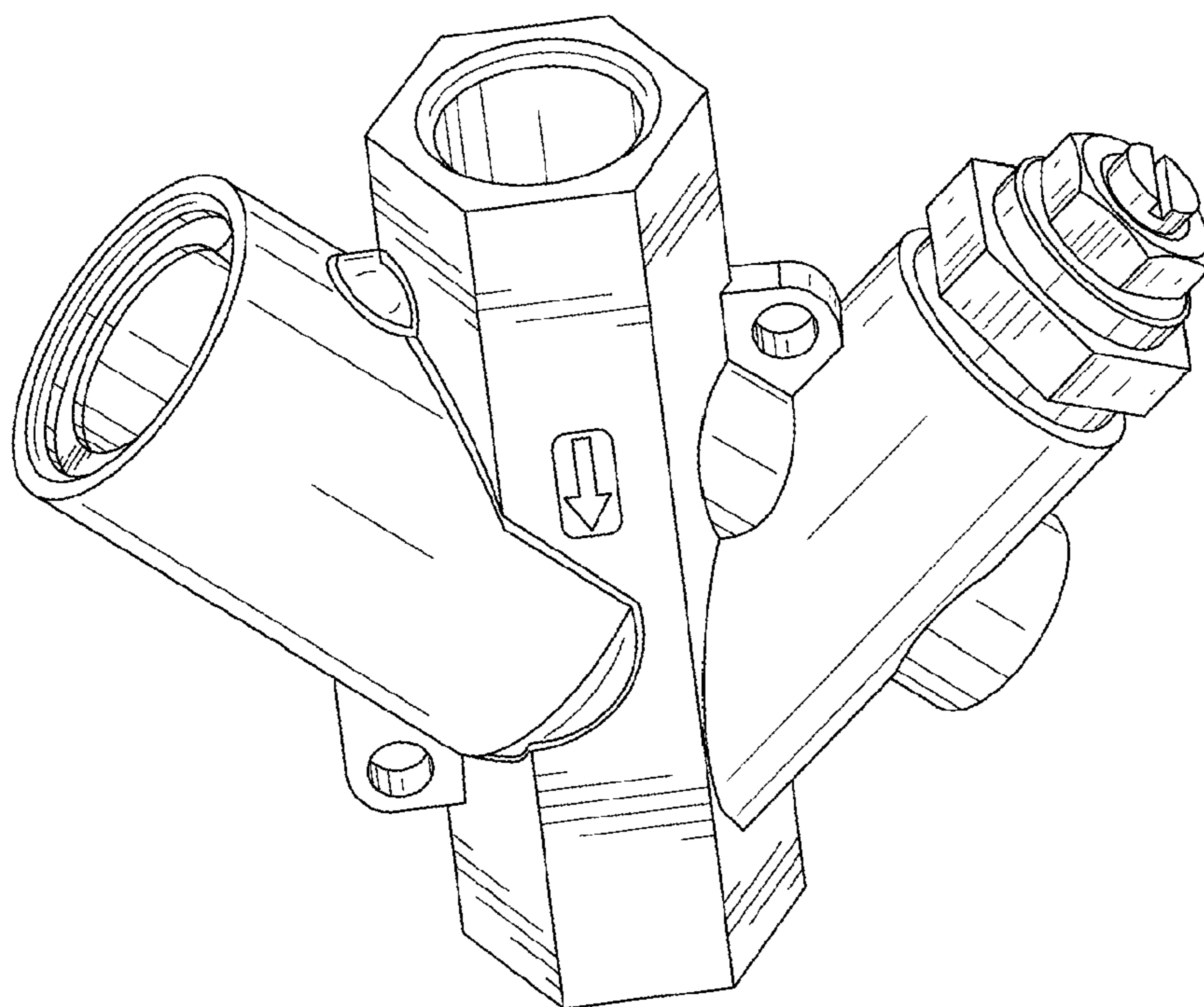


FIG. 4

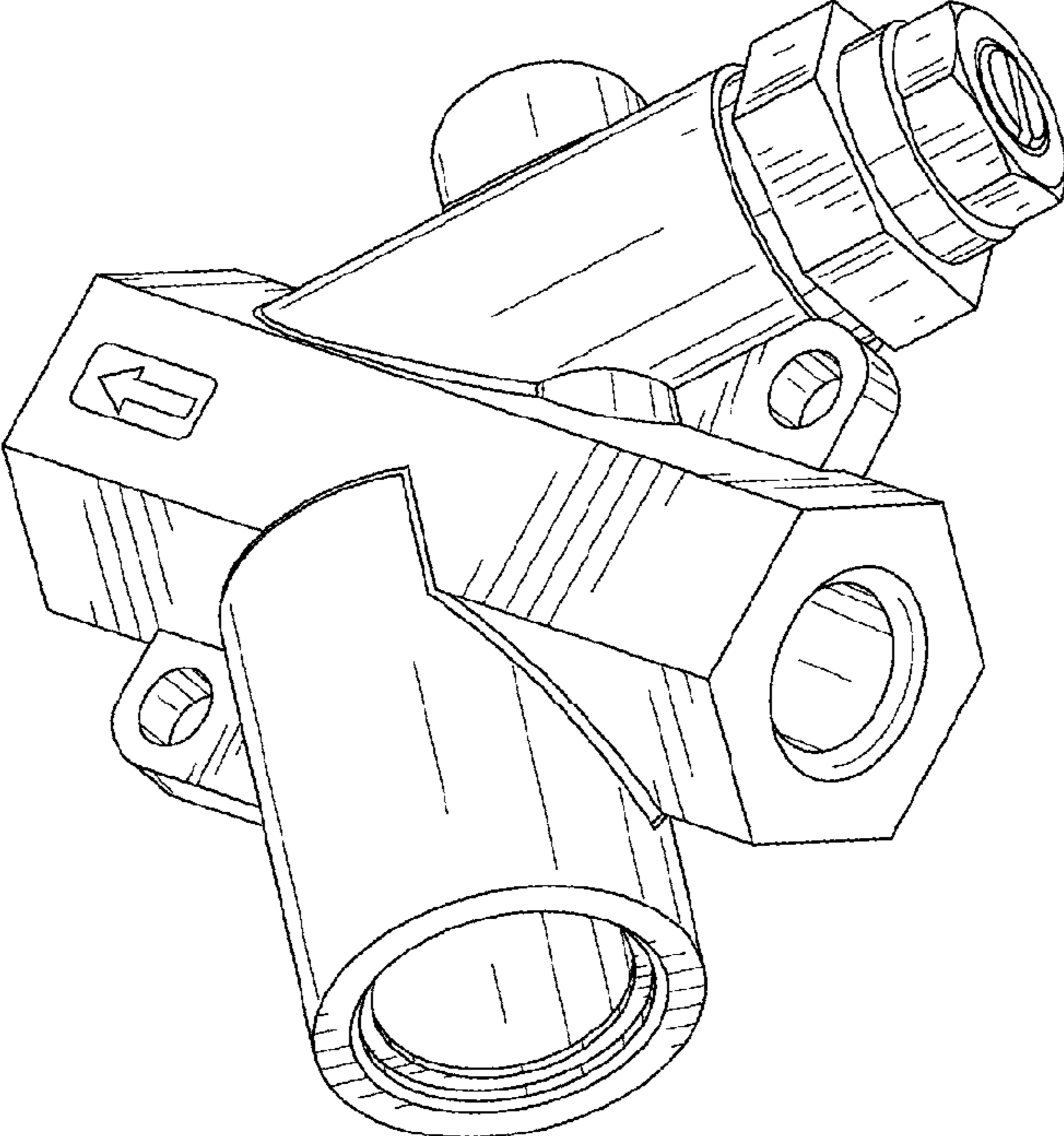


FIG. 5

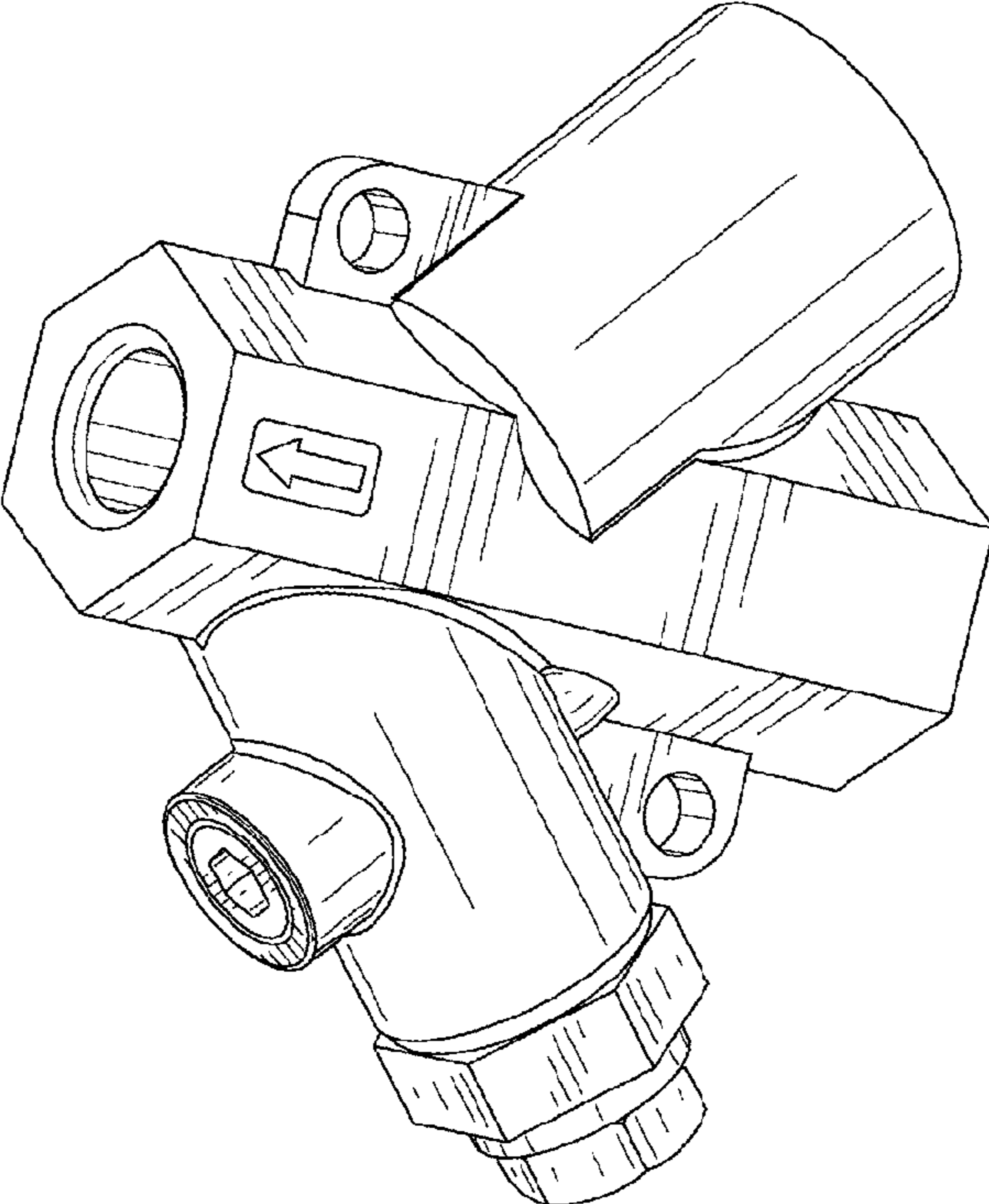


FIG. 6

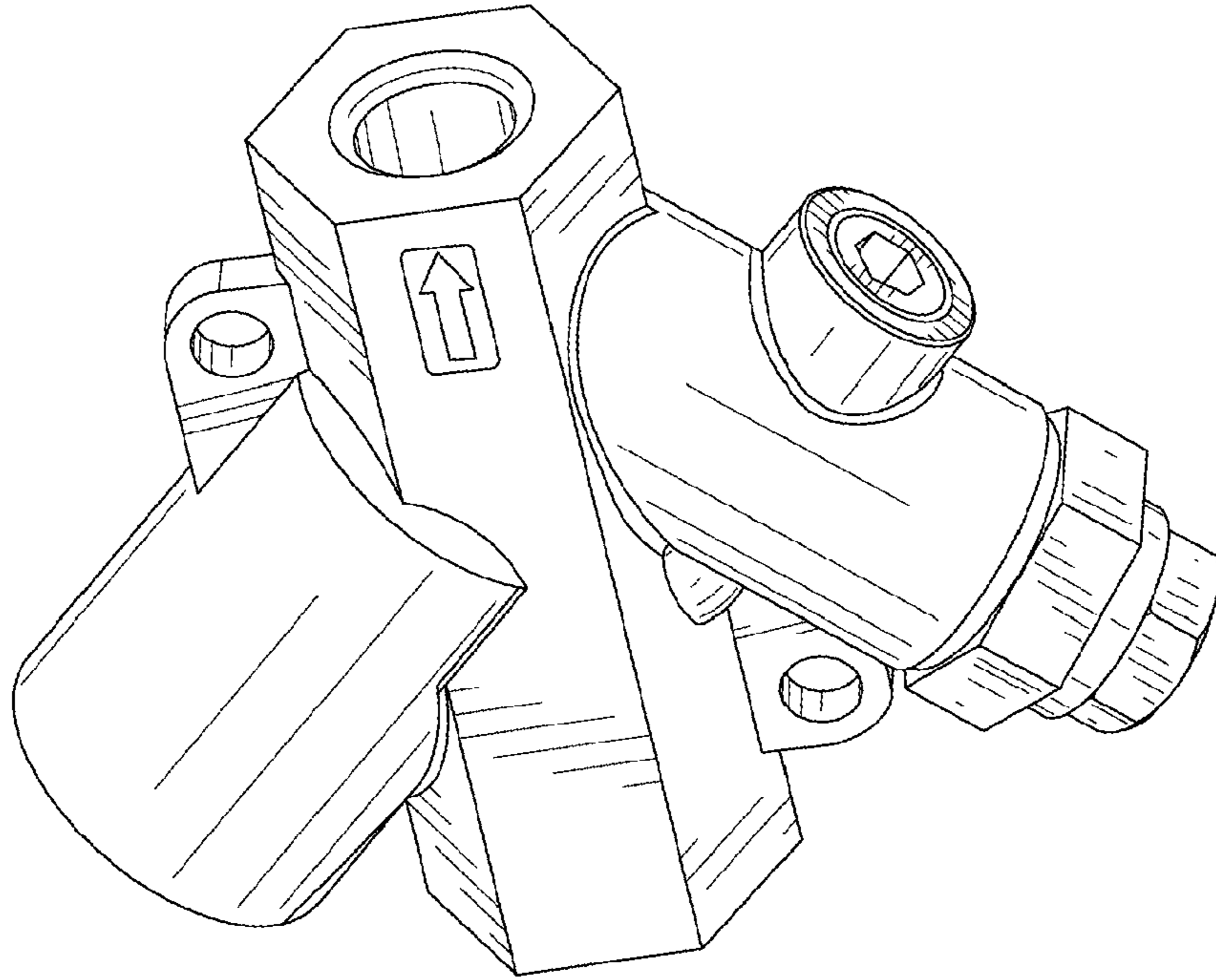


FIG. 7

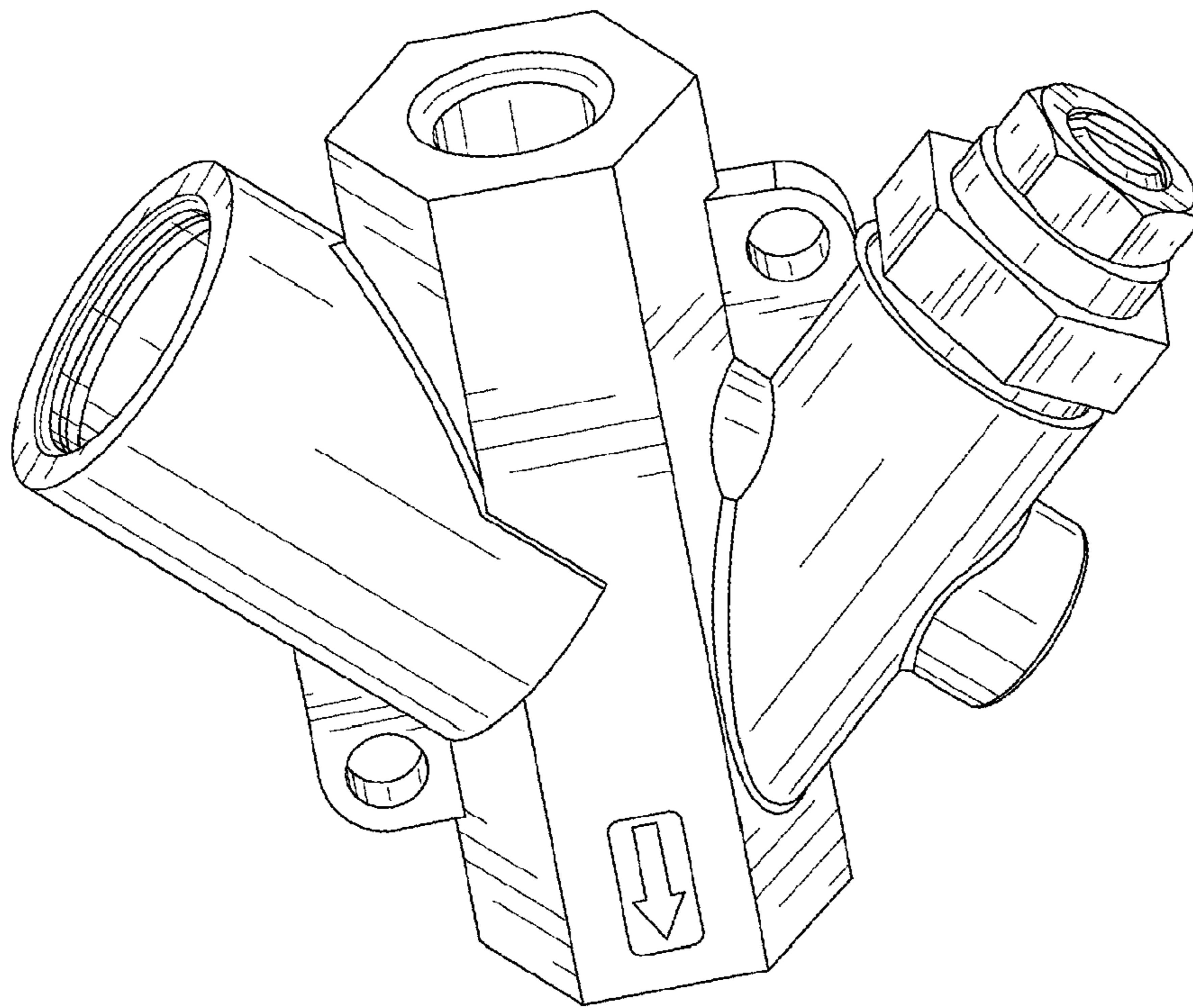


FIG. 8