



US00D621002S

(12) **United States Design Patent**  
**Yongyan**

(10) **Patent No.:** **US D621,002 S**  
(45) **Date of Patent:** **\*\* Aug. 3, 2010**

(54) **SHOWER HEAD ASSEMBLY WITH  
HAND-HELD SHOWER HEAD ELEMENT**

(75) Inventor: **Zhou Yongyan**, Ningde (CN)

(73) Assignee: **Xiamen Lota International Co., Ltd.**,  
Xiamen (CN)

(\*\*) Term: **14 Years**

(21) Appl. No.: **29/350,155**

(22) Filed: **Nov. 12, 2009**

(51) **LOC (9) Cl.** ..... **23-01**

(52) **U.S. Cl.** ..... **D23/228**

(58) **Field of Classification Search** ..... D23/303,  
D23/304, 228–230, 213; 4/570, 568, 596,  
4/601, 605; 239/282–283

See application file for complete search history.

(56) **References Cited**

**U.S. PATENT DOCUMENTS**

D466,992	S	*	12/2002	Tse	.....	D23/304
7,043,776	B1	*	5/2006	Wu	.....	4/601
7,143,961	B1	*	12/2006	Wu et al.	.....	239/446
7,293,302	B2	*	11/2007	Mesa	.....	4/601
D559,949	S	*	1/2008	Bickler et al.	.....	D23/228
D575,846	S	*	8/2008	Lobermeier et al.	.....	D23/228
D614,732	S	*	4/2010	Deng et al.	.....	D23/228

\* cited by examiner

*Primary Examiner*—Robin V Webster

(74) *Attorney, Agent, or Firm*—McDermott Will & Emery, LLP

(57) **CLAIM**

I claim the ornamental design for a shower head assembly with hand-held shower head element, as shown and described.

**DESCRIPTION**

FIG. 1 is a perspective view of a shower head assembly with hand-held shower head element;

FIG. 2 is a frontal view of the shower head assembly of FIG. 1;

FIG. 3 is a rear view of the shower head assembly of FIG. 1;

FIG. 4 is a left side view of the shower head assembly of FIG. 1;

FIG. 5 is a right view of the shower head assembly of FIG. 1;

FIG. 6 is a top side view of the shower head assembly of FIG. 1; and,

FIG. 7 is a bottom side view of the shower head assembly of FIG. 1.

Features shown in broken lines in the drawings are not part of the claim.

**1 Claim, 7 Drawing Sheets**

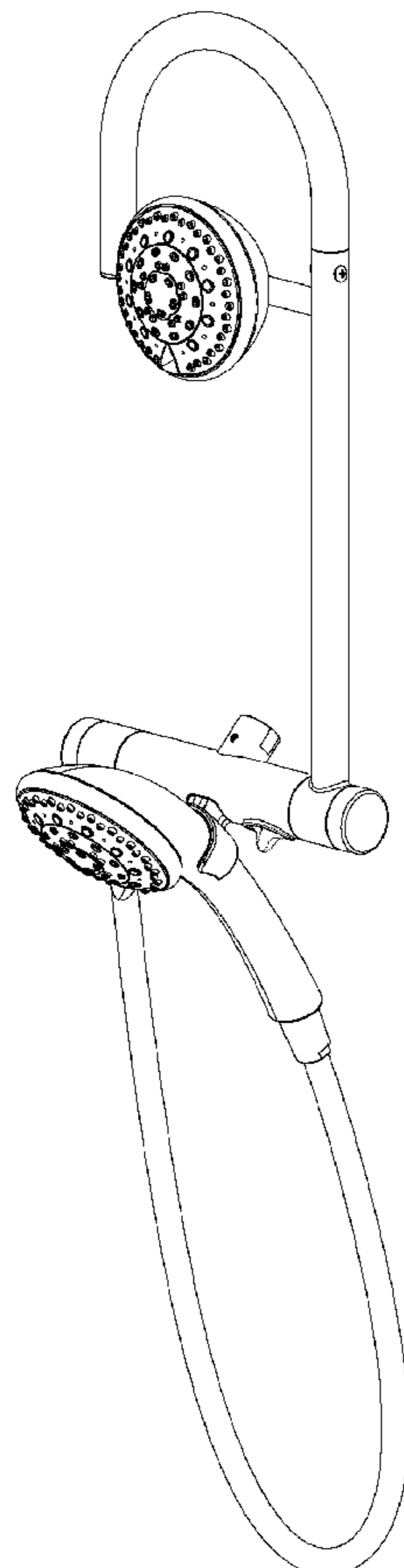


FIG. 1

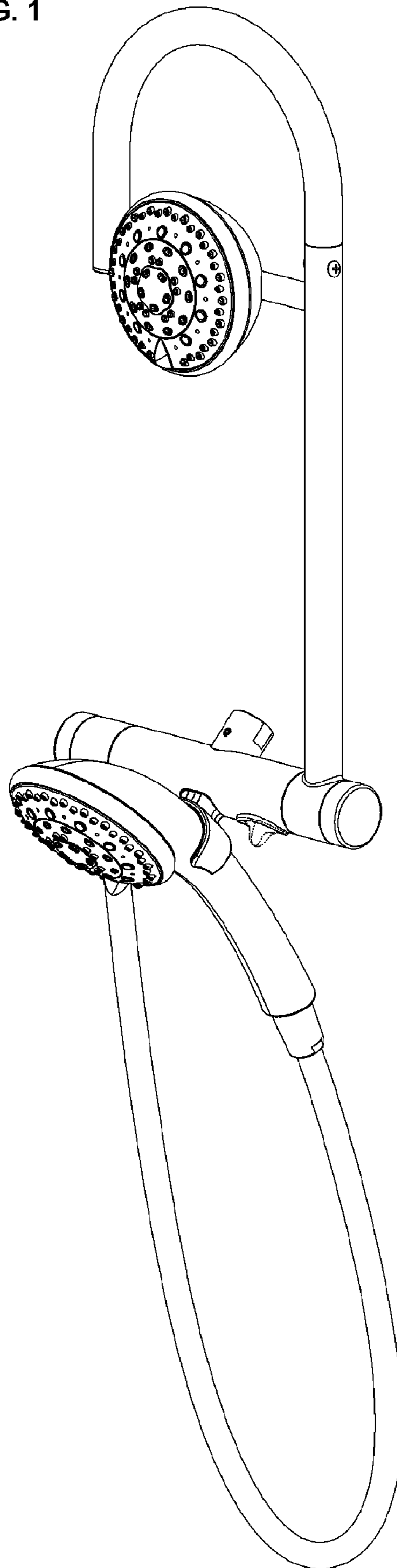


FIG. 2

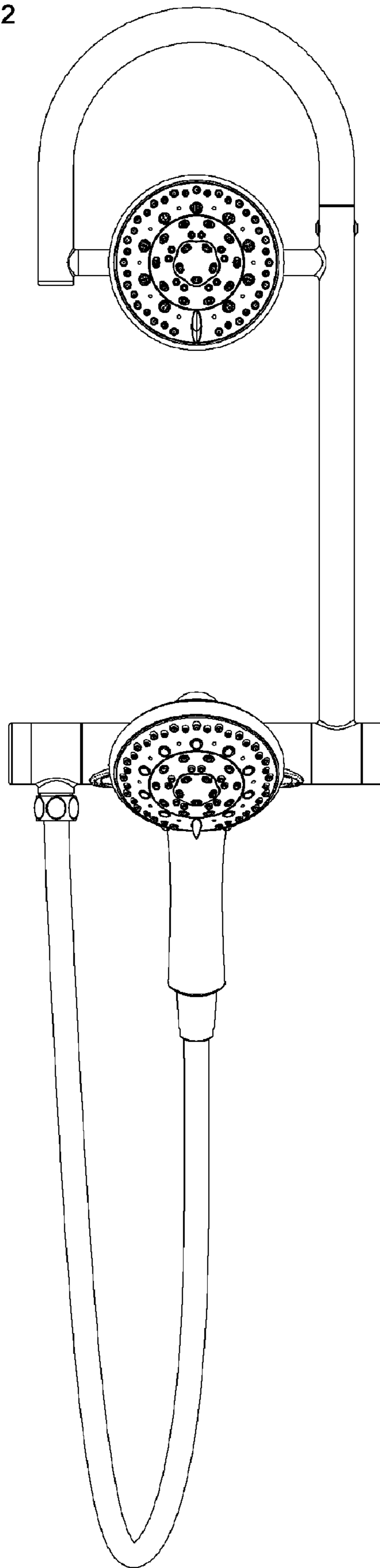


FIG. 3

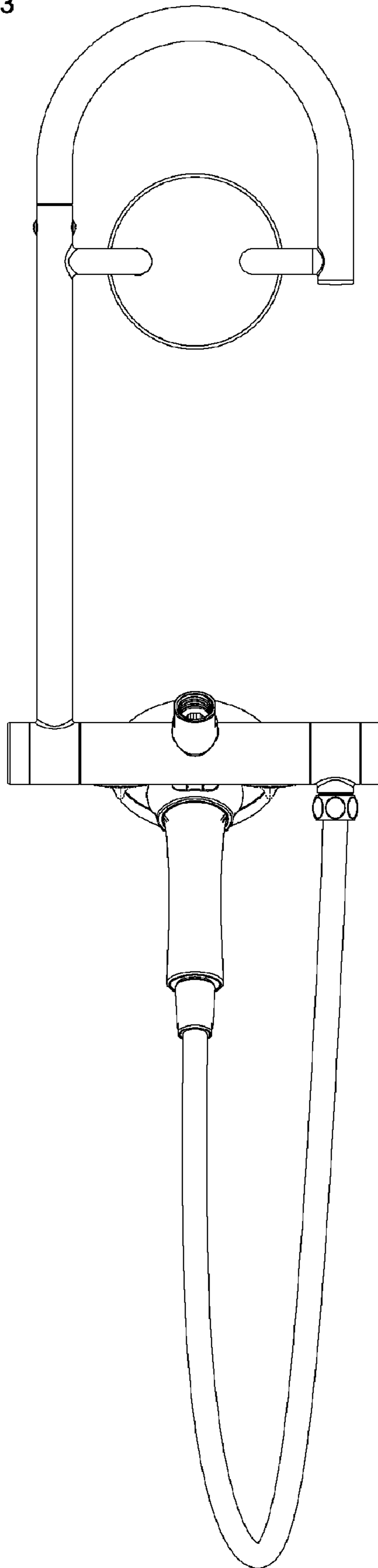


FIG. 4

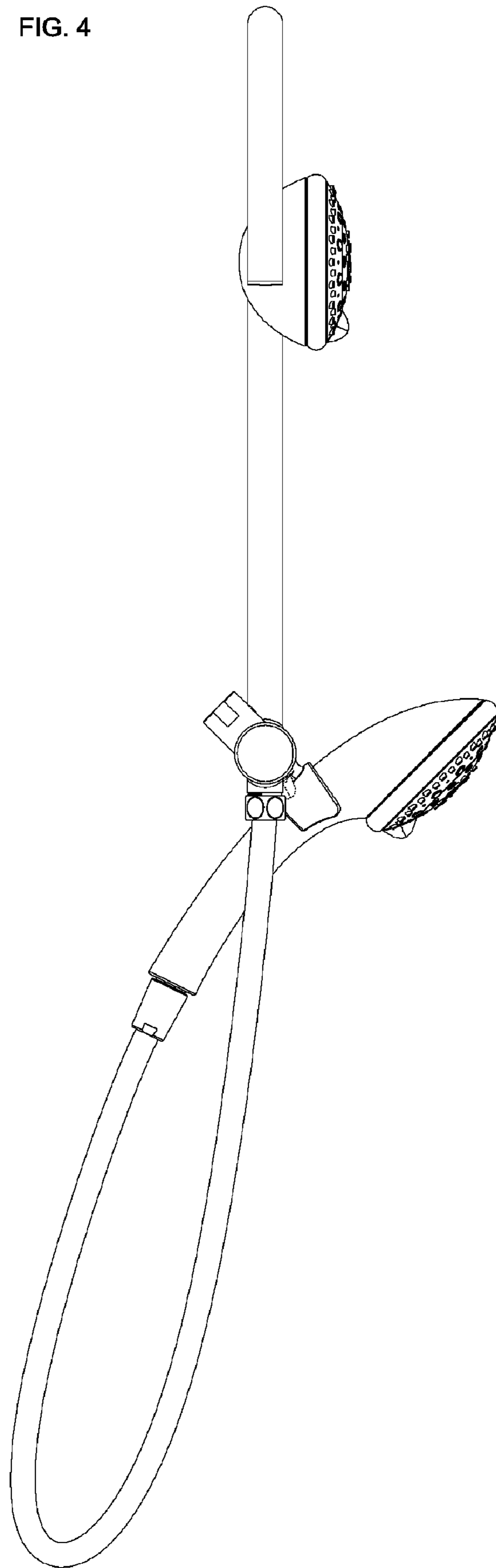


FIG. 5

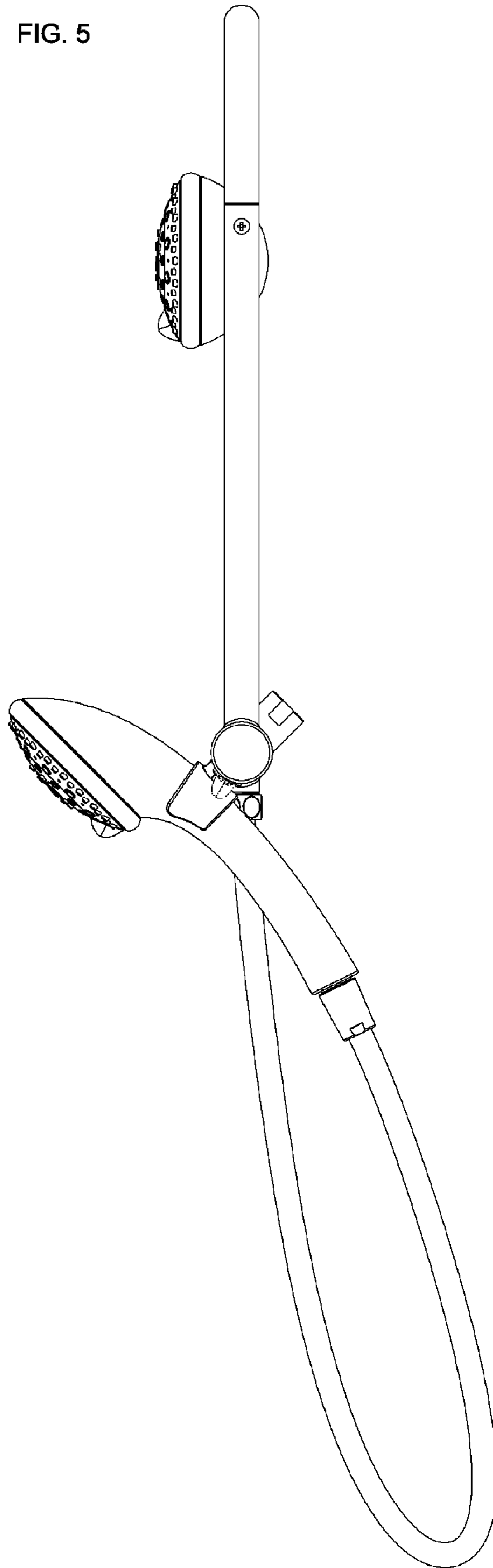


FIG. 6

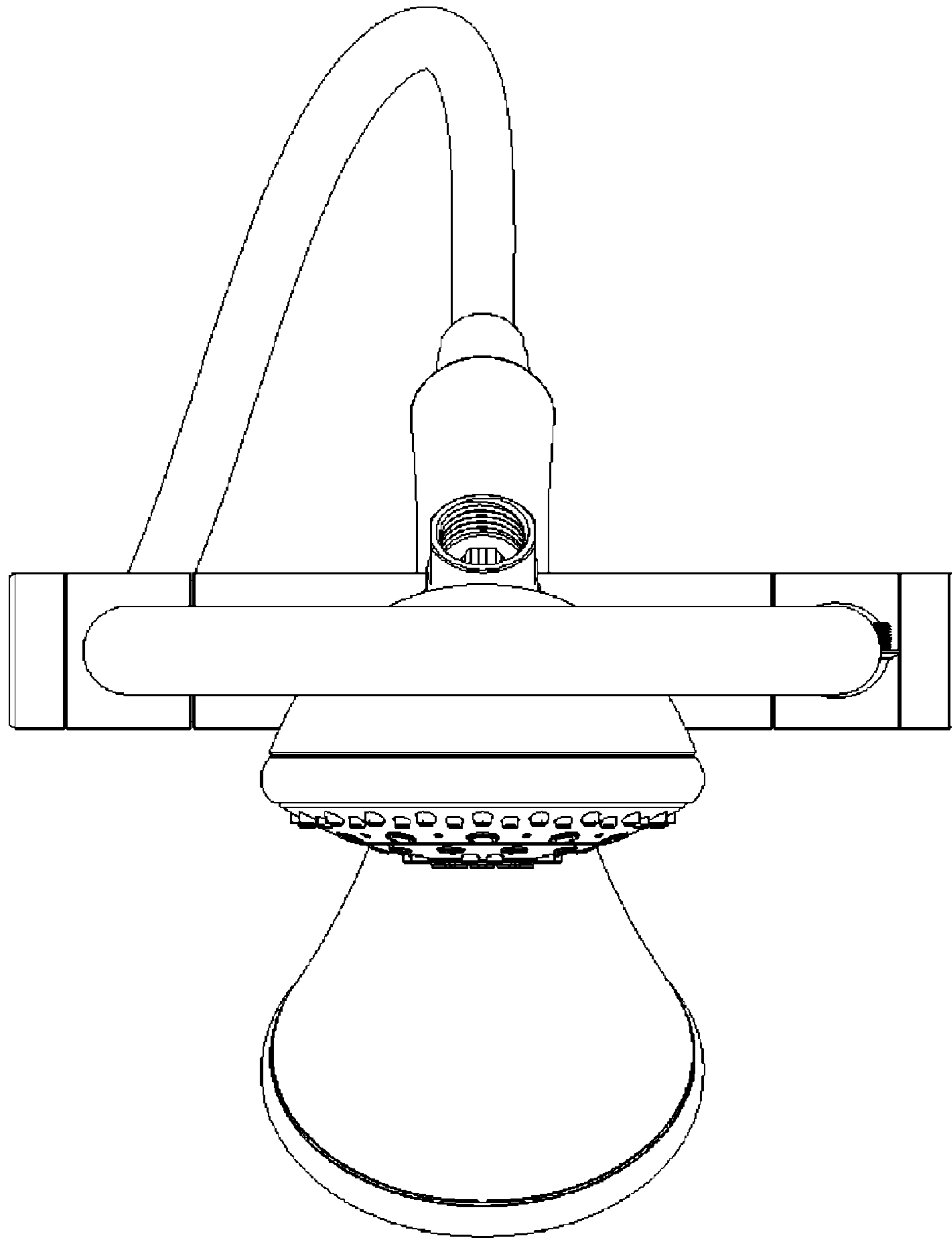


FIG. 7

