



US00D621001S

(12) **United States Design Patent**
Maziel et al.

(10) **Patent No.:** **US D621,001 S**

(45) **Date of Patent:** **** Aug. 3, 2010**

(54) **PREMIUM FILTER**

(75) Inventors: **Eldad Maziel**, Mazkeret Batia (IL);
Avner Sadot, Tel-Aviv (IL); **Yoav Dracher**, Tel-Aviv (IL)

(73) Assignee: **Tana Industries Ltd**, Or Yehuda (IL)

(**) Term: **14 Years**

(21) Appl. No.: **29/345,422**

(22) Filed: **Oct. 15, 2009**

(30) **Foreign Application Priority Data**

Apr. 16, 2009 (IL) 47559

(51) **LOC (9) Cl.** **23-01**

(52) **U.S. Cl.** **D23/209**

(58) **Field of Classification Search** D23/207,
D23/209; 210/340, 341; D15/150
See application file for complete search history.

(56) **References Cited**

U.S. PATENT DOCUMENTS

D384,128 S * 9/1997 Scott D23/209
D398,368 S * 9/1998 Schroer D23/209
D438,932 S * 3/2001 McKinney D23/207

D519,186 S * 4/2006 Oranski et al. D23/209
D562,429 S * 2/2008 Morris D23/209

* cited by examiner

Primary Examiner—Robin V Webster

(74) *Attorney, Agent, or Firm*—Lahive & Cockfield, LLP;
Anthony A. Laurentano

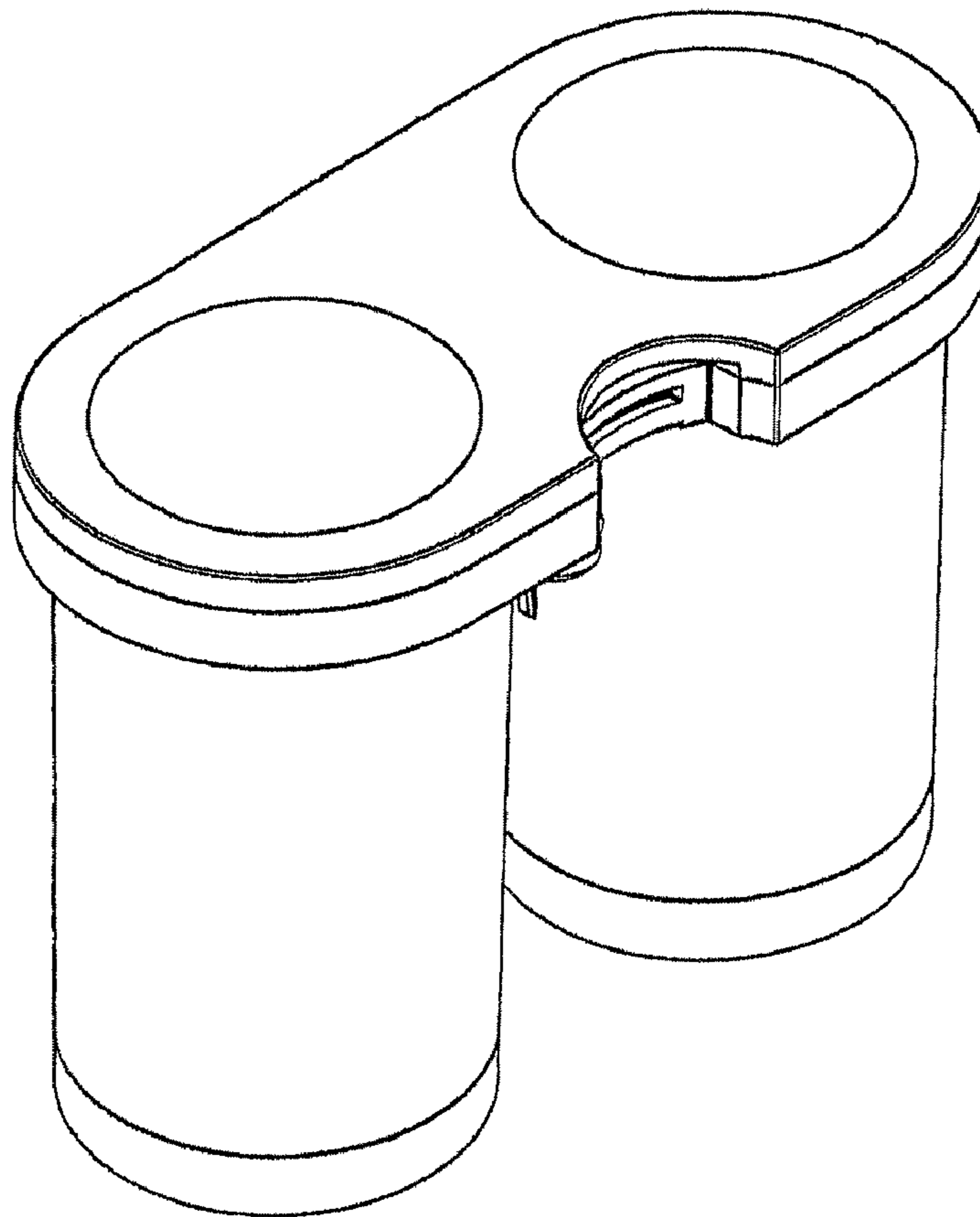
(57) **CLAIM**

The ornamental design for a premium filter, as shown and described.

DESCRIPTION

FIG. 1 is a front perspective view;
FIG. 2 is a back perspective view;
FIG. 3 is a front perspective view of a bottom side;
FIG. 4 is a back perspective view of a bottom side;
FIG. 5 is a left side view;
FIG. 6 is a front view;
FIG. 7 is a top view;
FIG. 8 is a back view;
FIG. 9 is a right side view; and,
FIG. 10 is a bottom view.

1 Claim, 4 Drawing Sheets



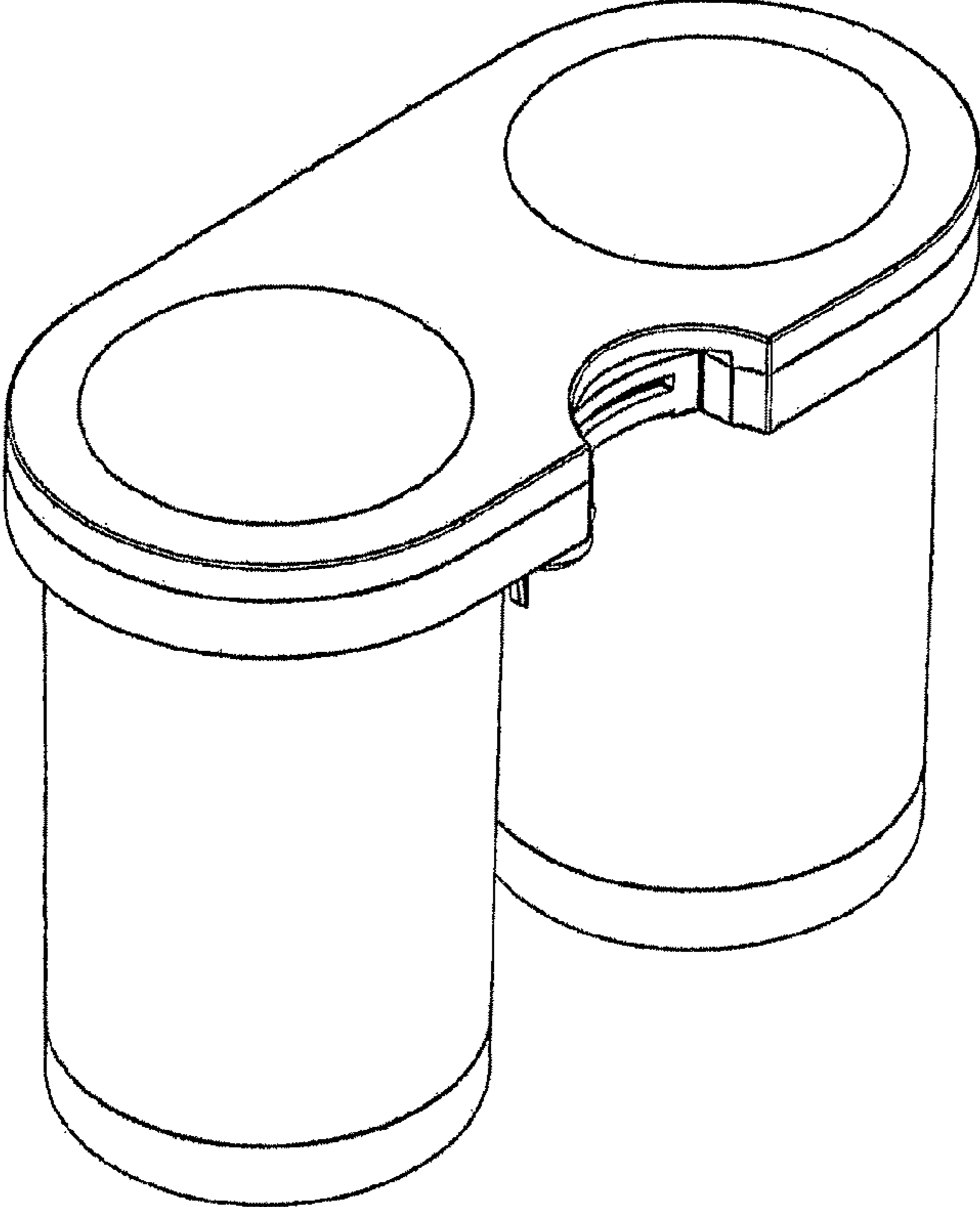


FIG. 1

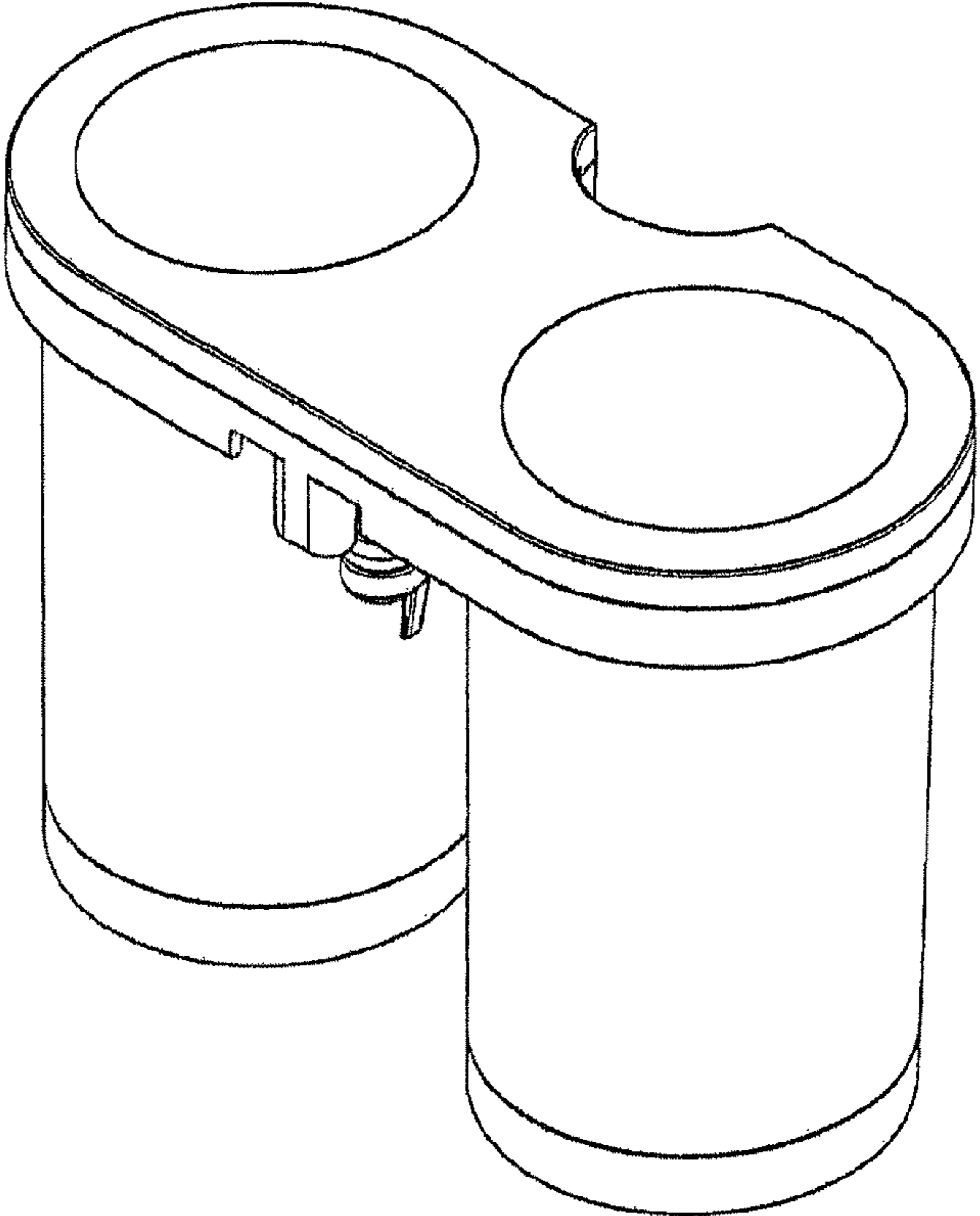


FIG. 2

FIG. 3

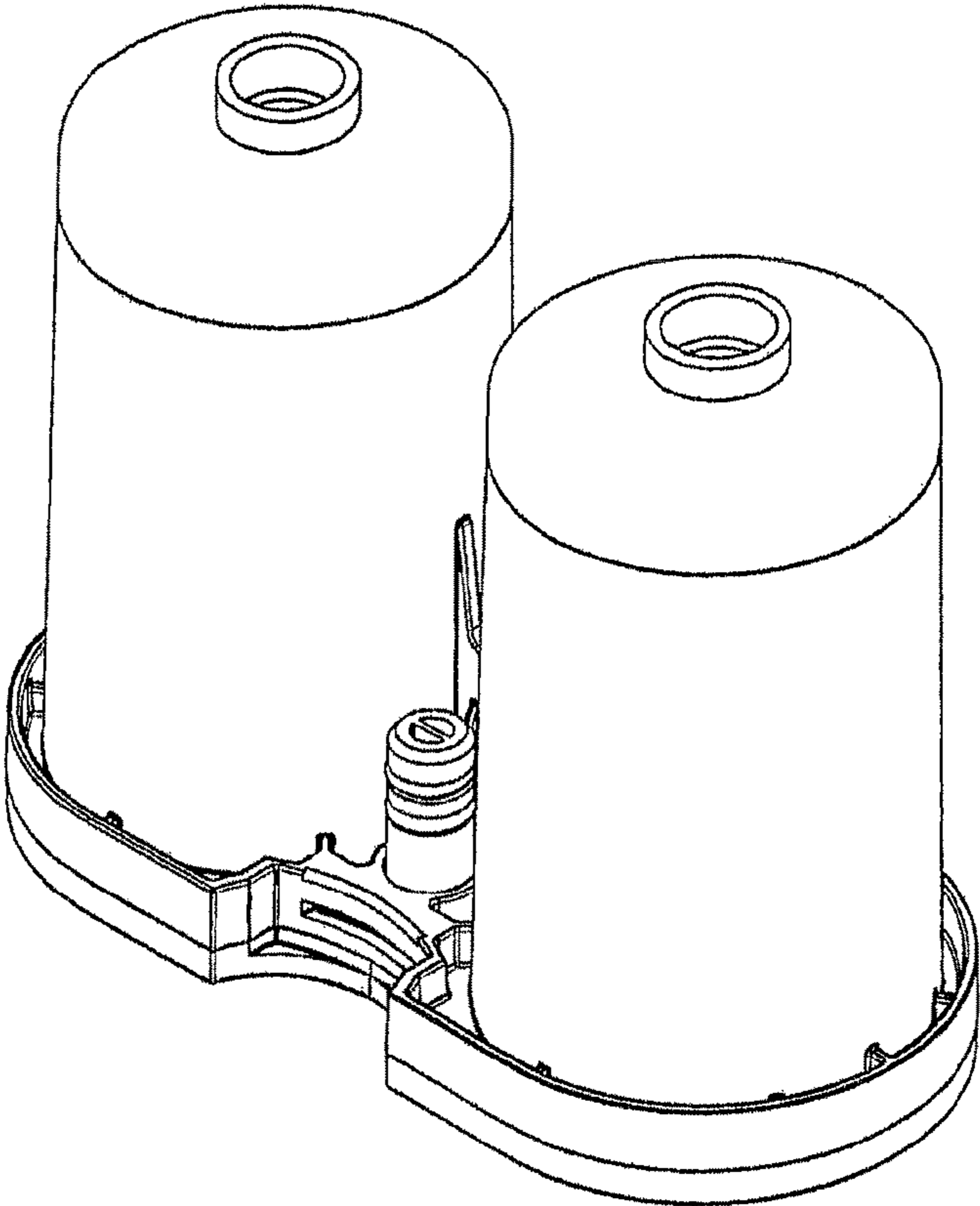


FIG. 4

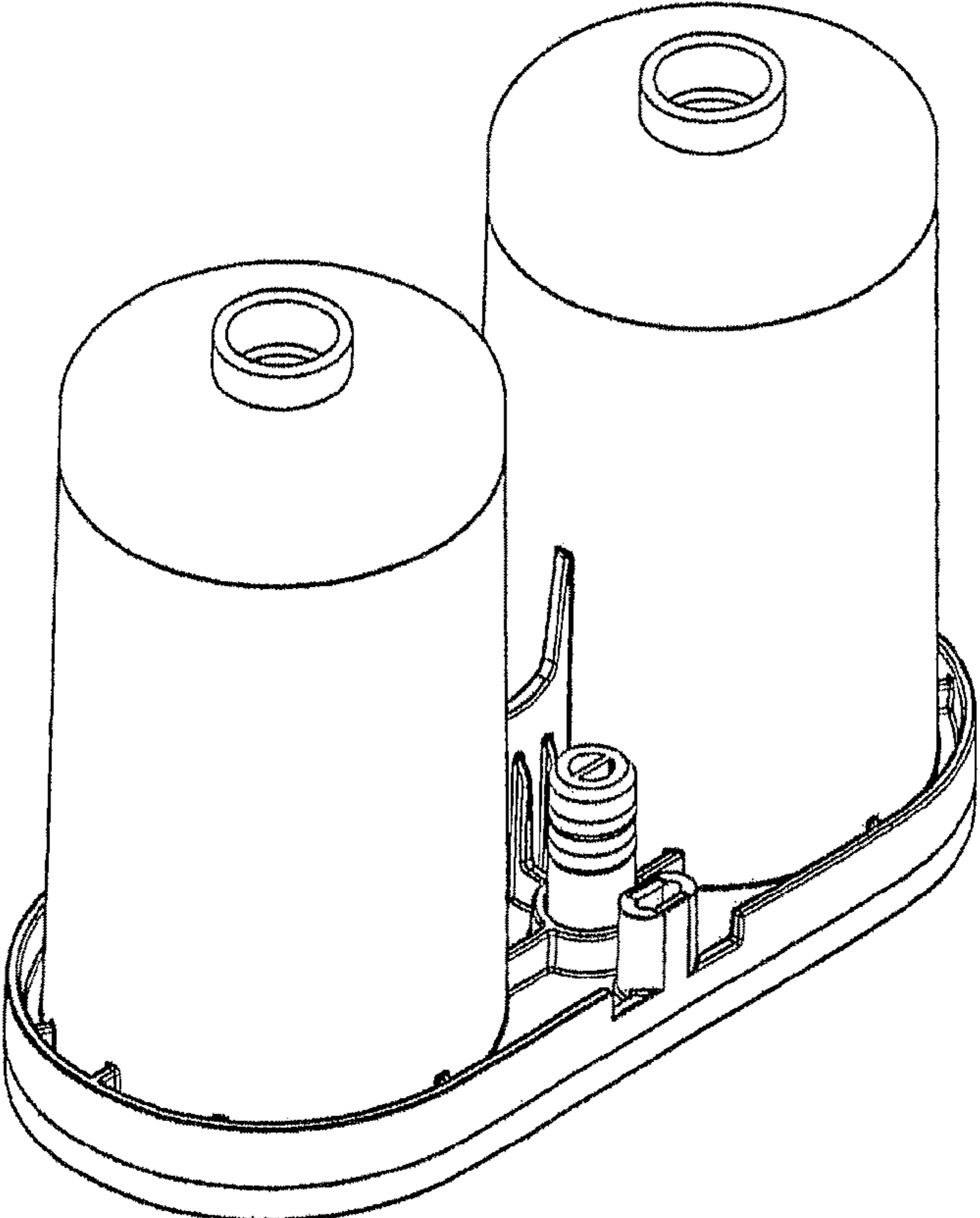


FIG. 5

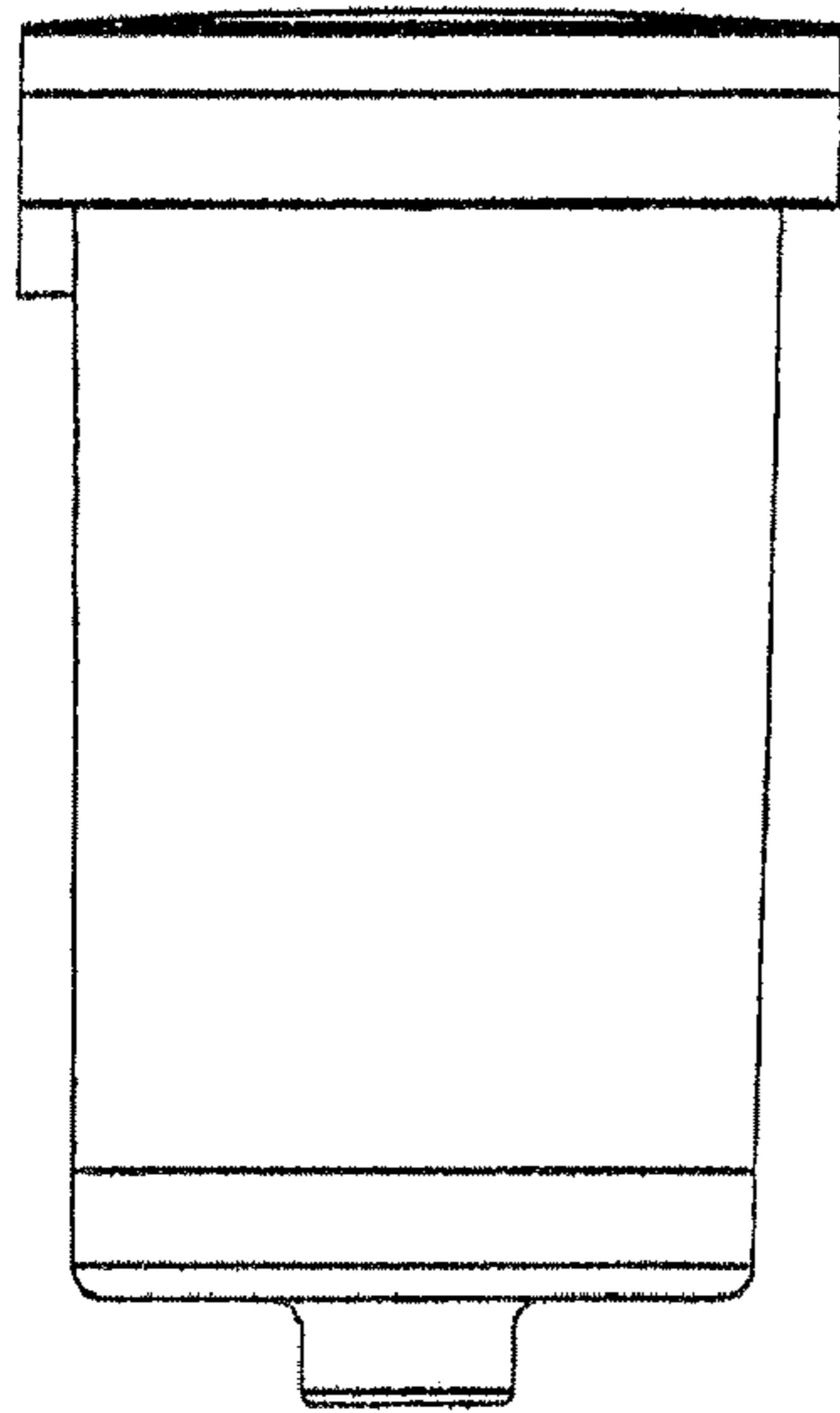


FIG. 6

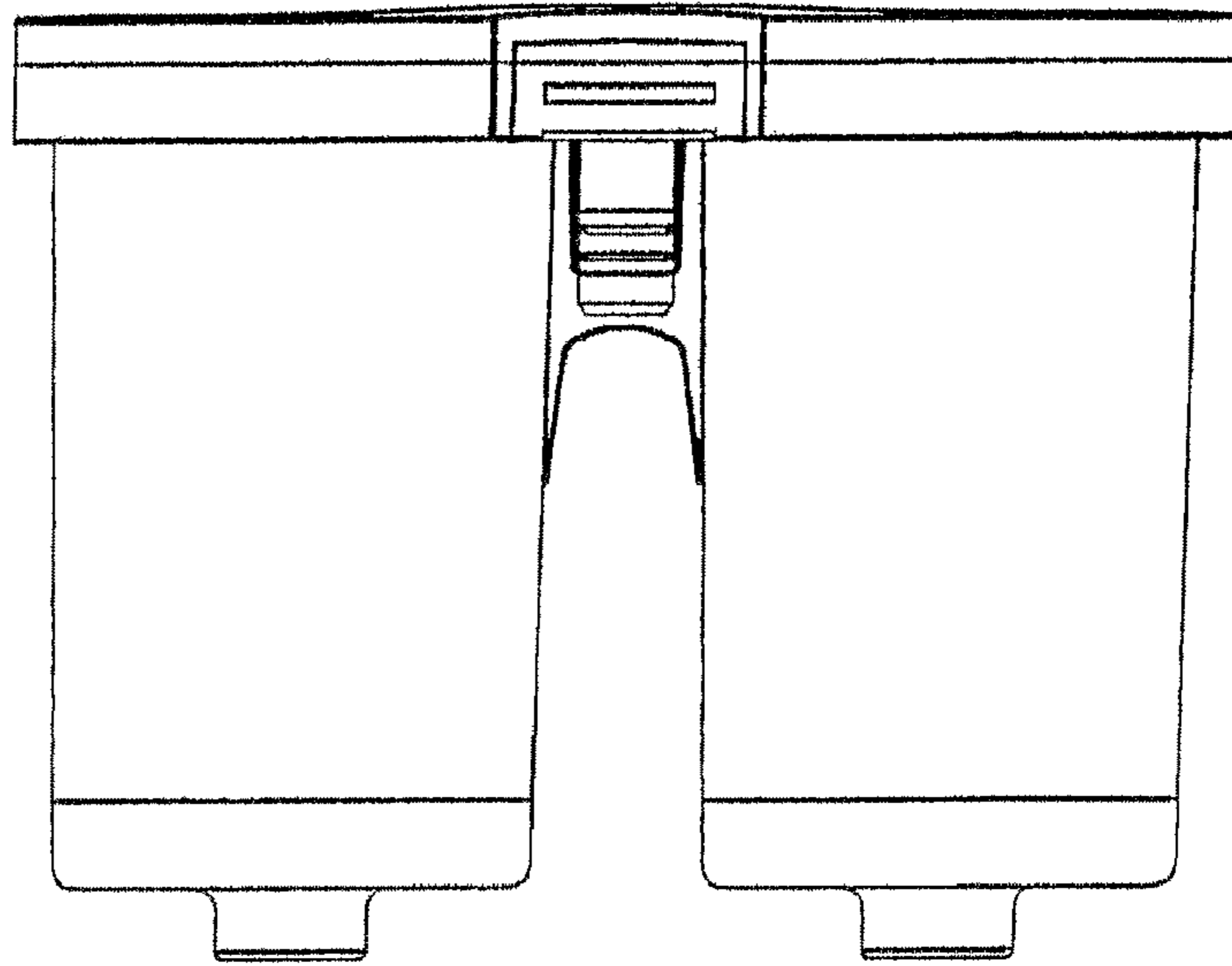


FIG. 7

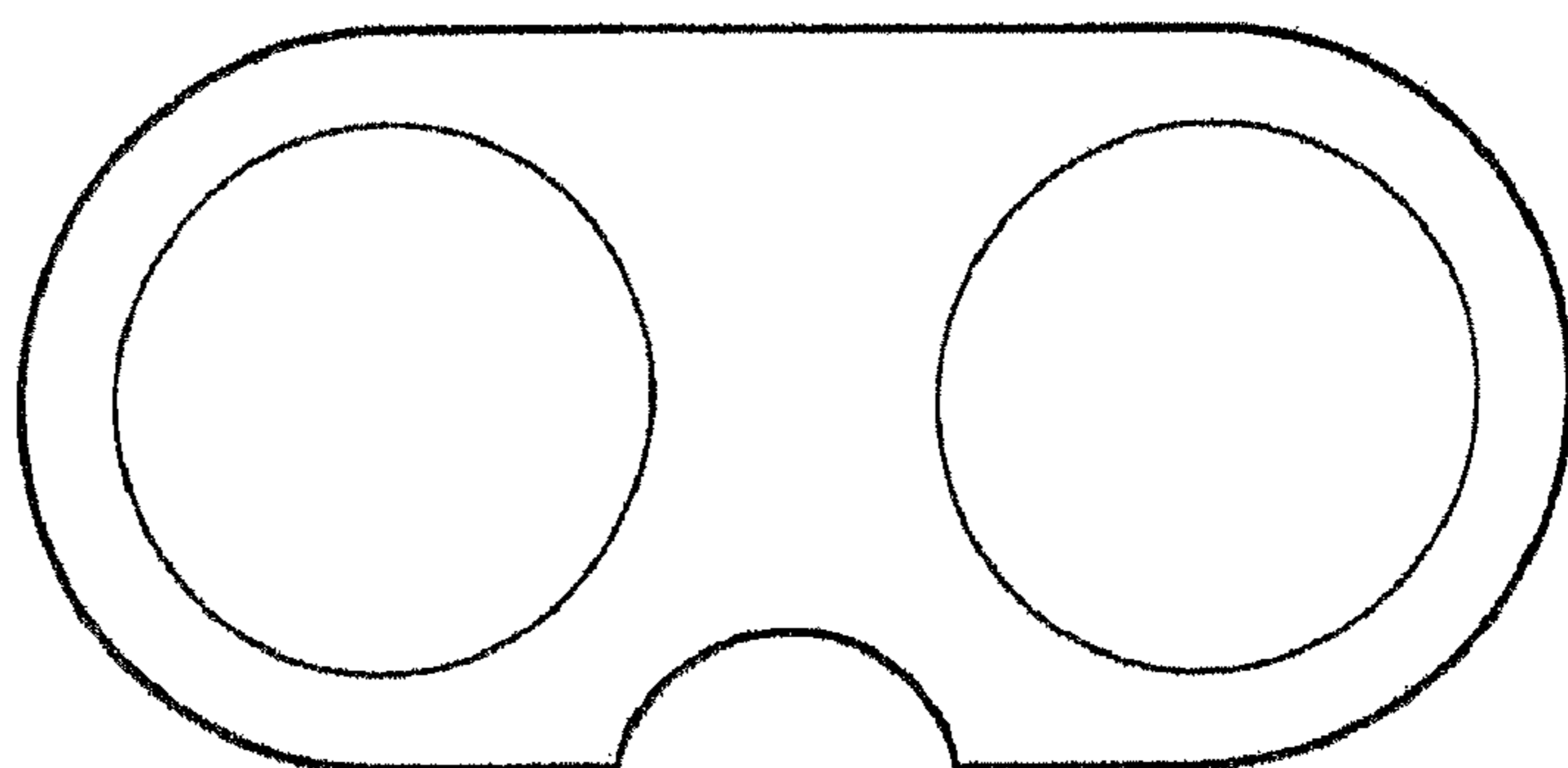


FIG. 8

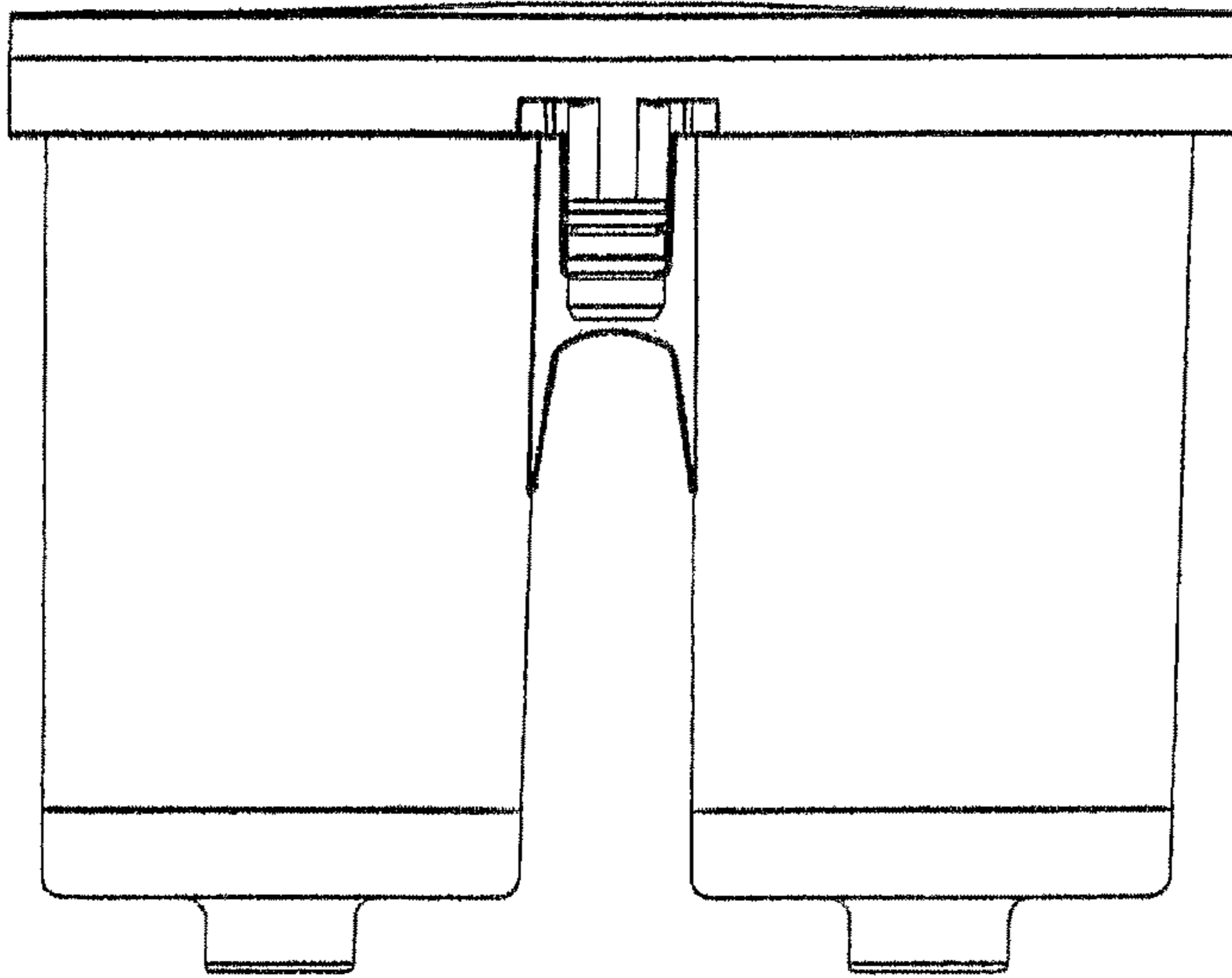


FIG. 9

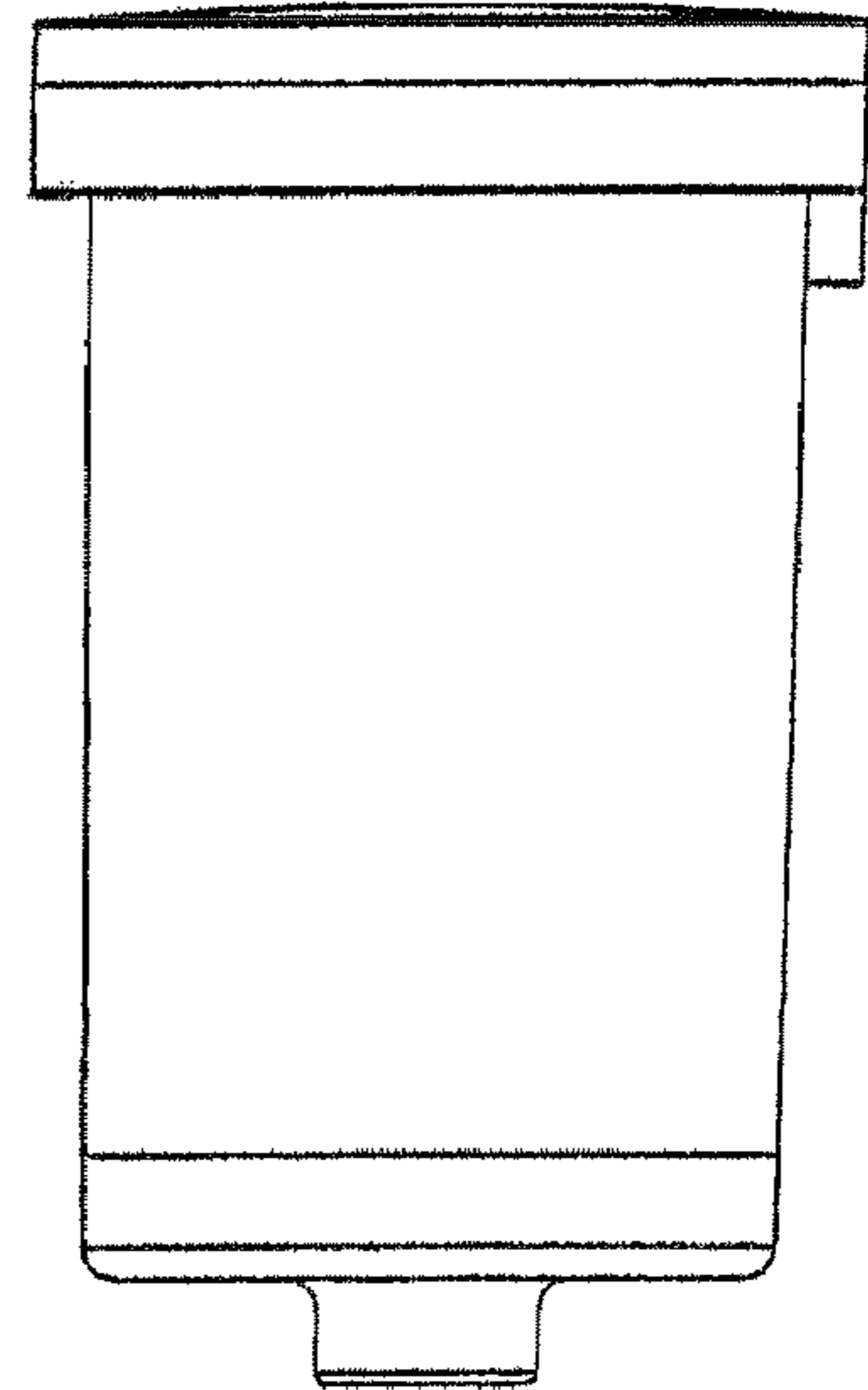


FIG. 10

