



US00D621000S

(12) **United States Design Patent**  
**Burian**

(10) **Patent No.:** **US D621,000 S**

(45) **Date of Patent:** **\*\* Aug. 3, 2010**

(54) **SKIMMER BODY**

D211,724 S \* 7/1968 Schneider ..... D23/207

(75) Inventor: **Anton Burian**, St. Pölten (AT)

\* cited by examiner

(73) Assignee: **Victor Nguyen**, Sunnyvale, CA (US)

*Primary Examiner*—Robin V Webster

(74) *Attorney, Agent, or Firm*—Michael Toback

(\*\*) Term: **14 Years**

(57) **CLAIM**

(21) Appl. No.: **29/325,228**

The ornamental design for a skimmer body, as shown and described.

(22) Filed: **Sep. 26, 2008**

(51) **LOC (9) Cl.** ..... **23-01**

(52) **U.S. Cl.** ..... **D23/209**

(58) **Field of Classification Search** ..... D23/207–210;  
210/167.1, 167.21, 167.15, 167.16, 167.26

See application file for complete search history.

**DESCRIPTION**

FIG. 1 is a perspective view of the skimmer body.

FIG. 2 is a top view thereof.

FIG. 3 is a front view thereof.

FIG. 4 is a rear view thereof.

FIG. 5 is a side view thereof; and,

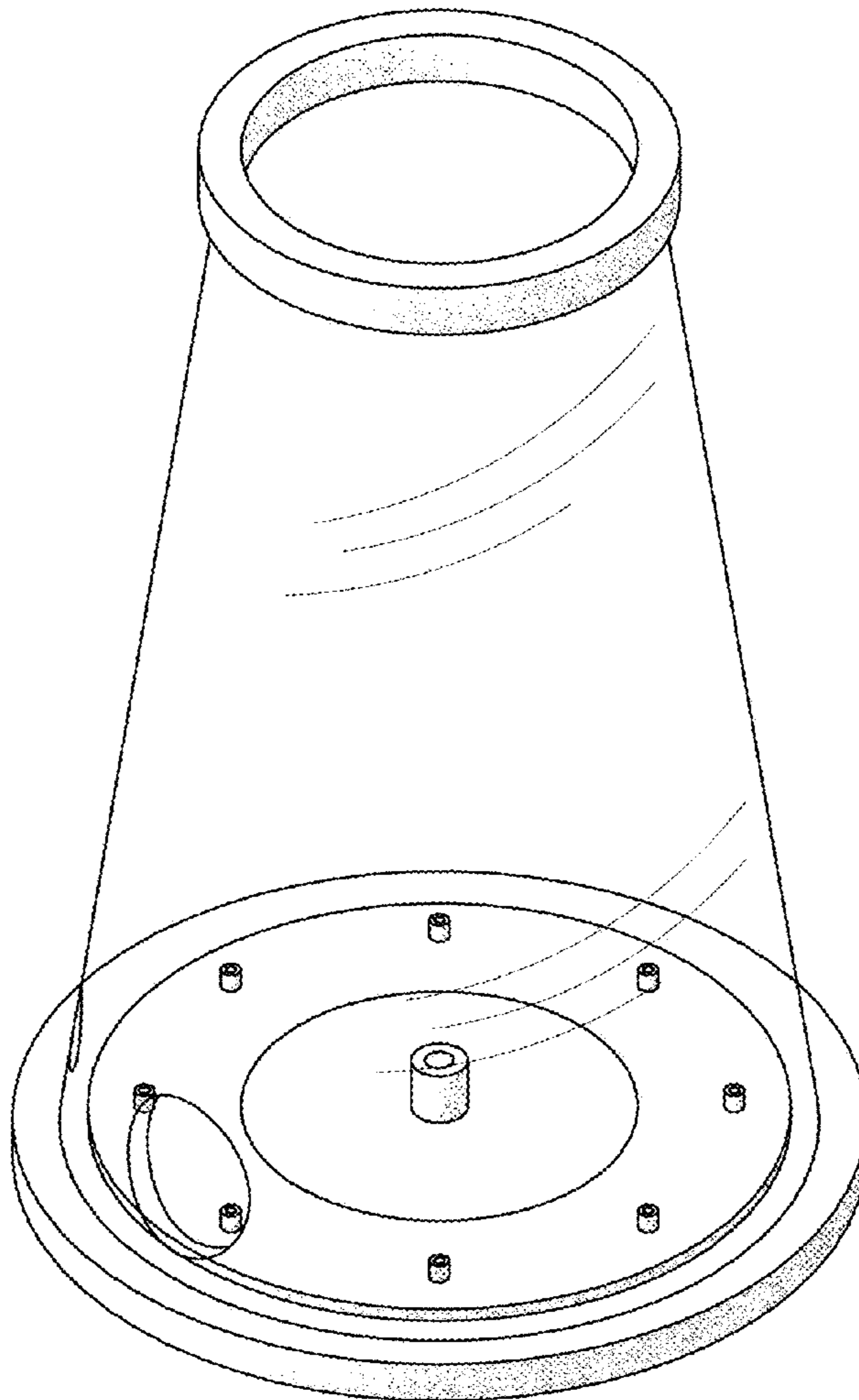
FIG. 6 is a bottom view thereof.

(56) **References Cited**

**U.S. PATENT DOCUMENTS**

D193,755 S \* 10/1962 Hoffinger ..... D23/209

**1 Claim, 6 Drawing Sheets**



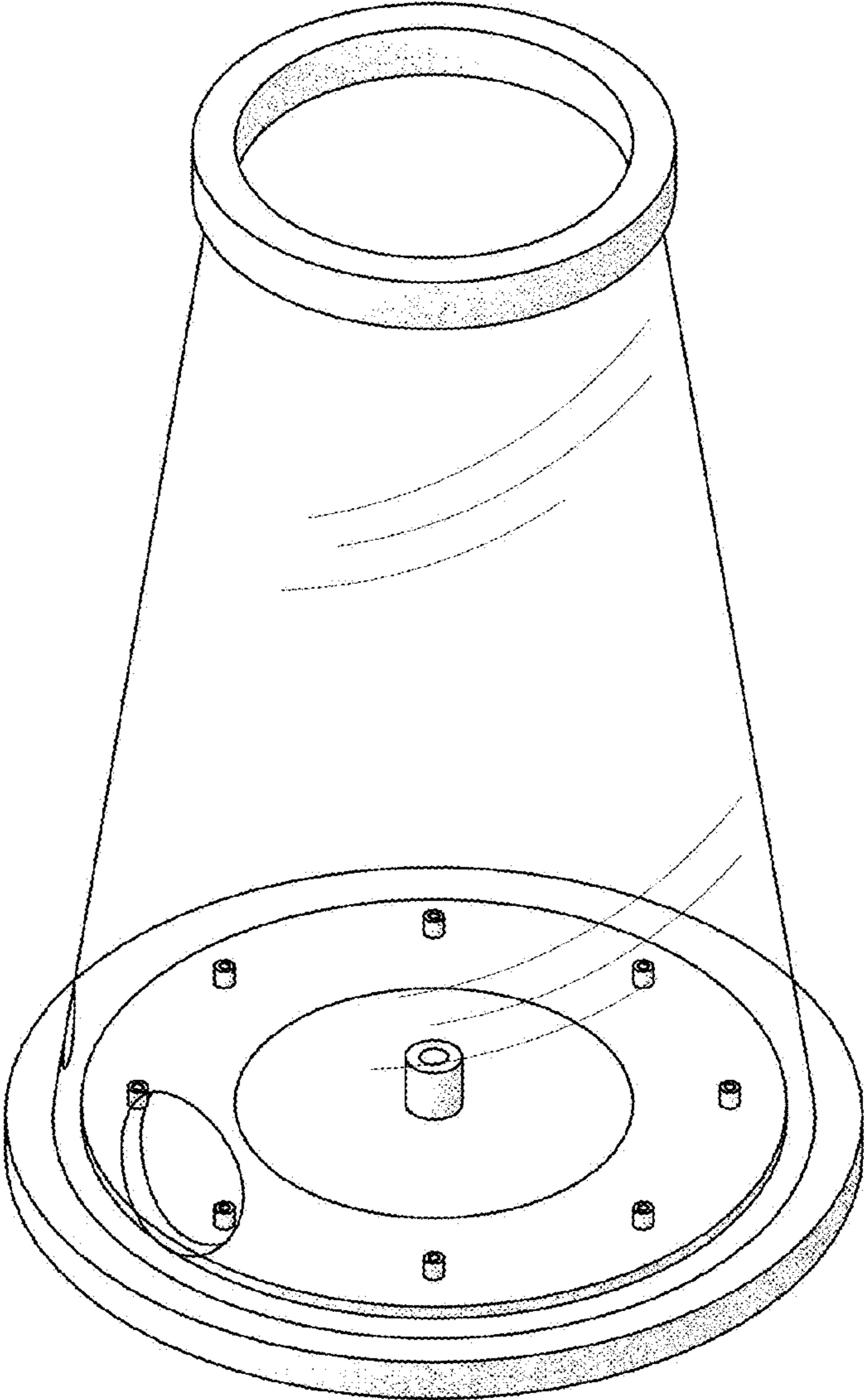


FIG. 1

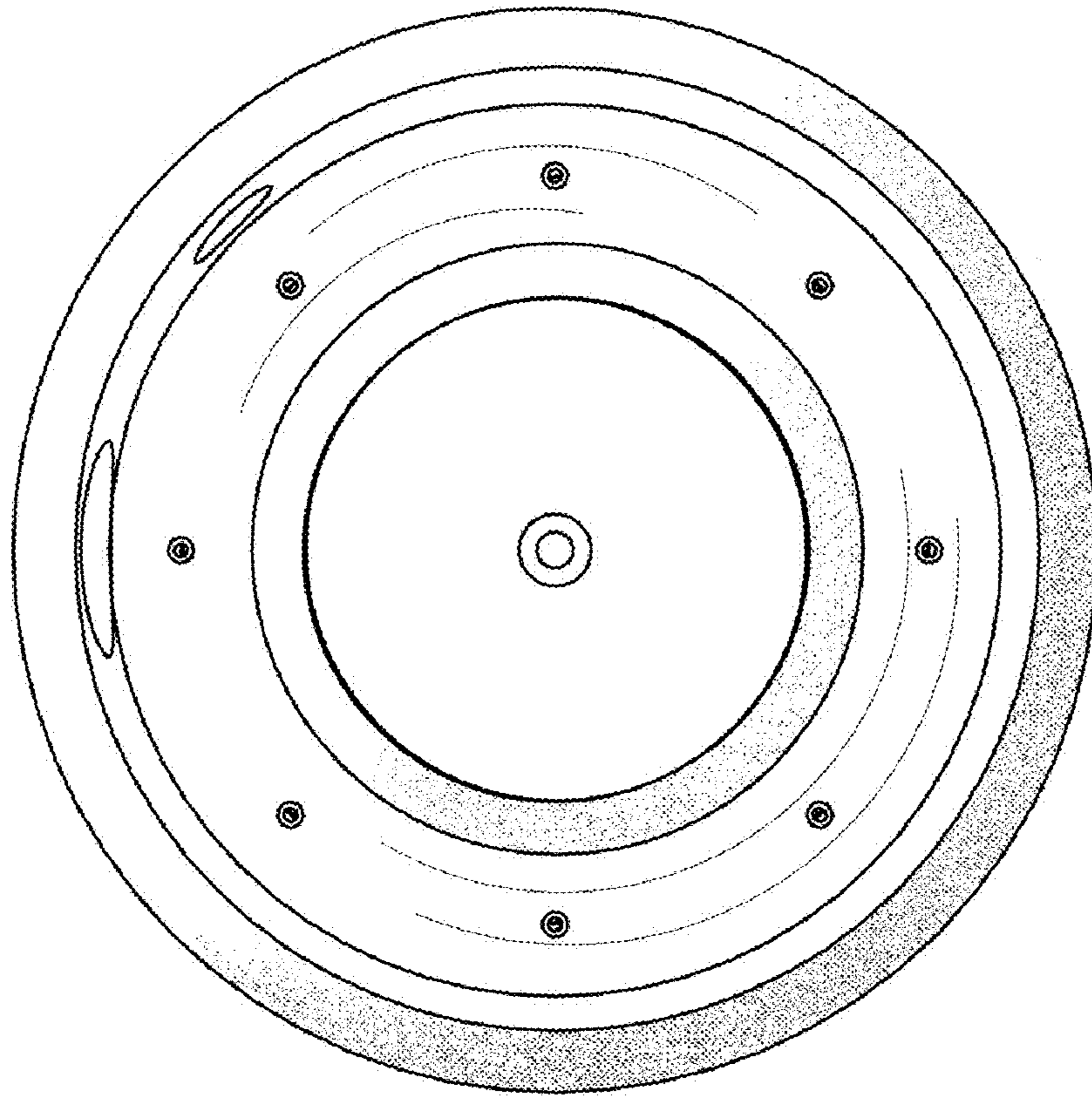


FIG. 2

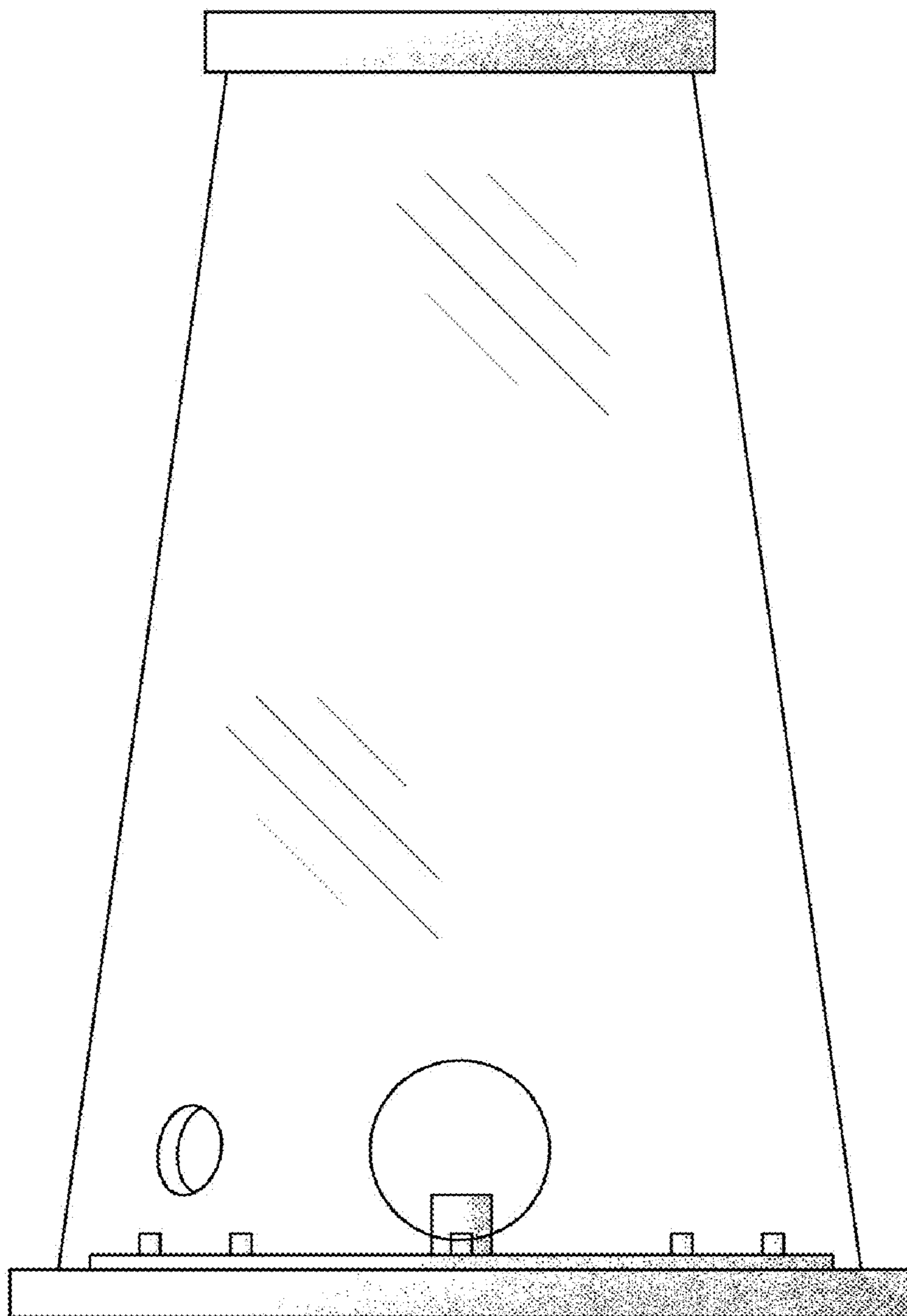


FIG. 3

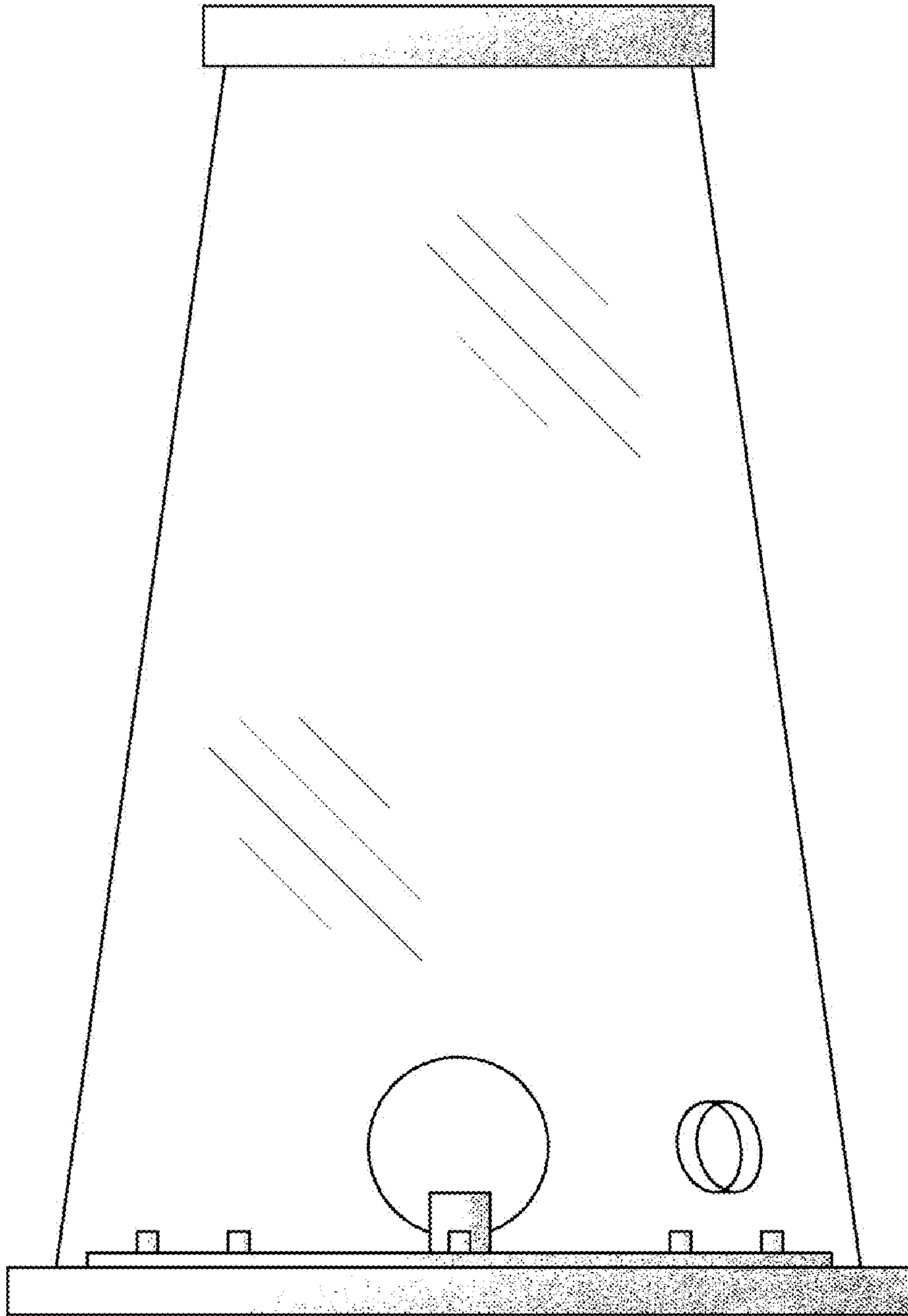


FIG. 4

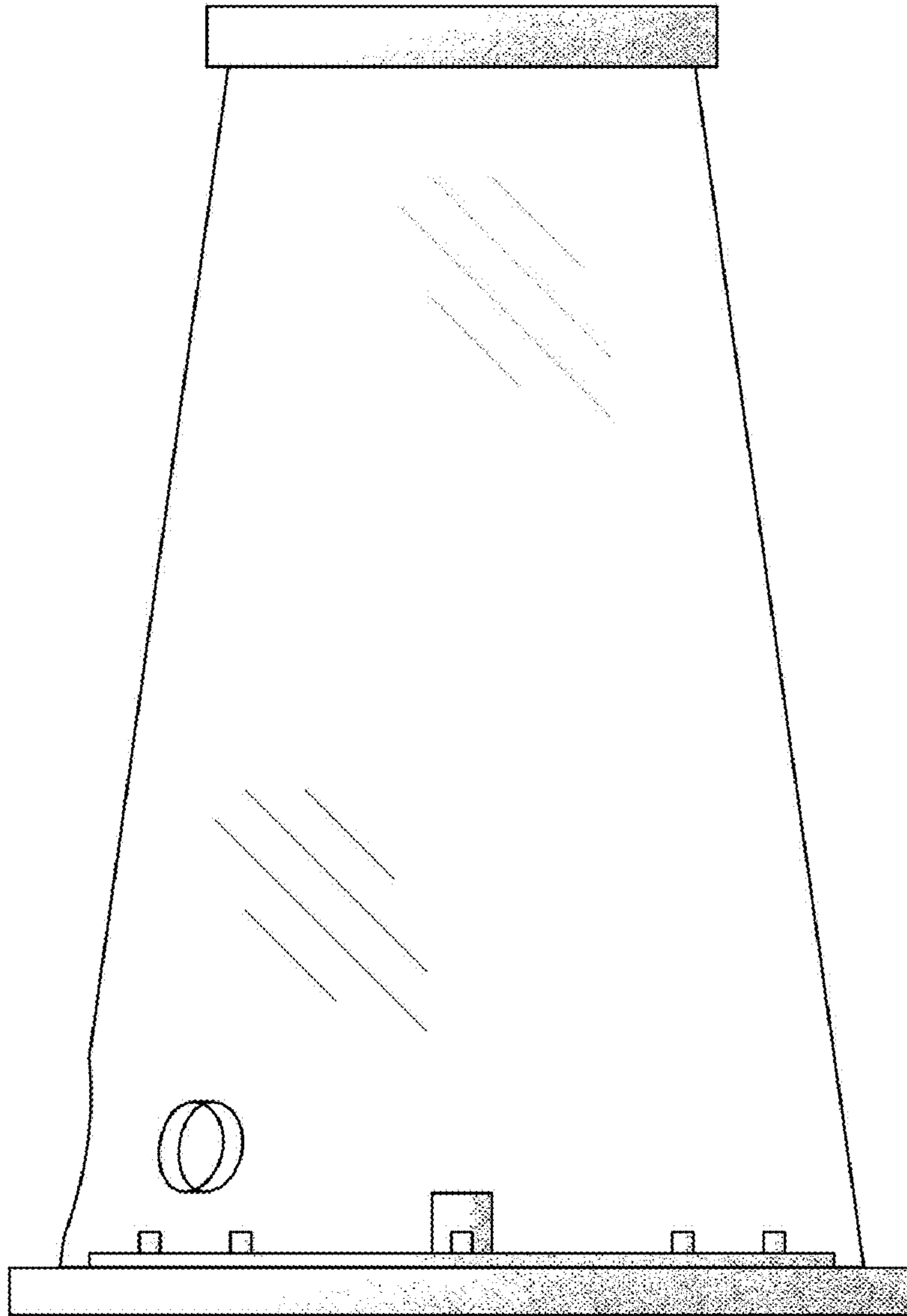


FIG. 5

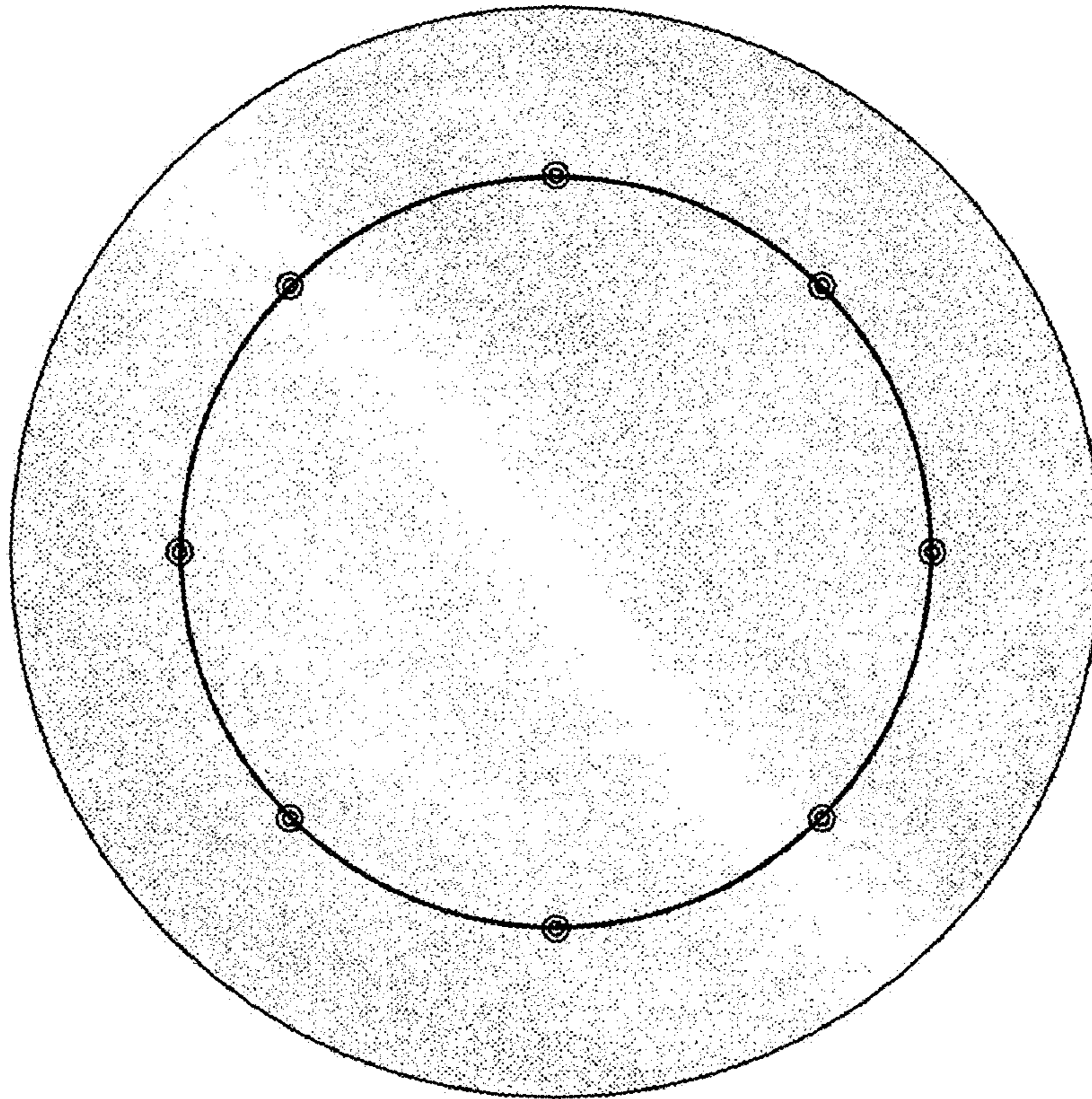


FIG. 6