



US00D620998S

(12) **United States Design Patent**  
**McCoy**

(10) **Patent No.:** **US D620,998 S**

(45) **Date of Patent:** **\*\* \*Aug. 3, 2010**

(54) **TUBELESS TIP TOP**

(76) **Inventor:** **Michael McCoy**, 13808 NE. 242nd St.,  
Battle Ground, WA (US) 98604

(\*) **Notice:** This patent is subject to a terminal disclaimer.

(\*\*) **Term:** **14 Years**

(21) **Appl. No.:** **29/339,857**

(22) **Filed:** **Jul. 8, 2009**

(51) **LOC (9) Cl.** ..... **22-05**

(52) **U.S. Cl.** ..... **D22/143**

(58) **Field of Classification Search** ..... D22/143,  
D22/137-139; 43/24-25

See application file for complete search history.

(56) **References Cited**

**U.S. PATENT DOCUMENTS**

D247,505 S \* 3/1978 Ohmura ..... D22/143  
D335,328 S \* 5/1993 Ohmura ..... D22/143  
D340,500 S \* 10/1993 Ohmura ..... D22/143

D349,749 S \* 8/1994 Yamamoto et al. .... D22/143

D395,695 S \* 6/1998 Ohmura ..... D22/143

D407,460 S \* 3/1999 Ohmura ..... D22/143

D409,713 S \* 5/1999 Ohmura ..... D22/143

D482,427 S \* 11/2003 Park ..... D22/143

\* cited by examiner

*Primary Examiner*—Catherine R Oliver

(74) *Attorney, Agent, or Firm*—Laura Tunnell

(57) **CLAIM**

The ornamental design for a tubeless tip top, as shown.

**DESCRIPTION**

FIG. 1 is an perspective view of the tubeless tip top.

FIG. 2 is a top view of the tubeless tip top.

FIG. 3 is a bottom view of the tubeless tip top.

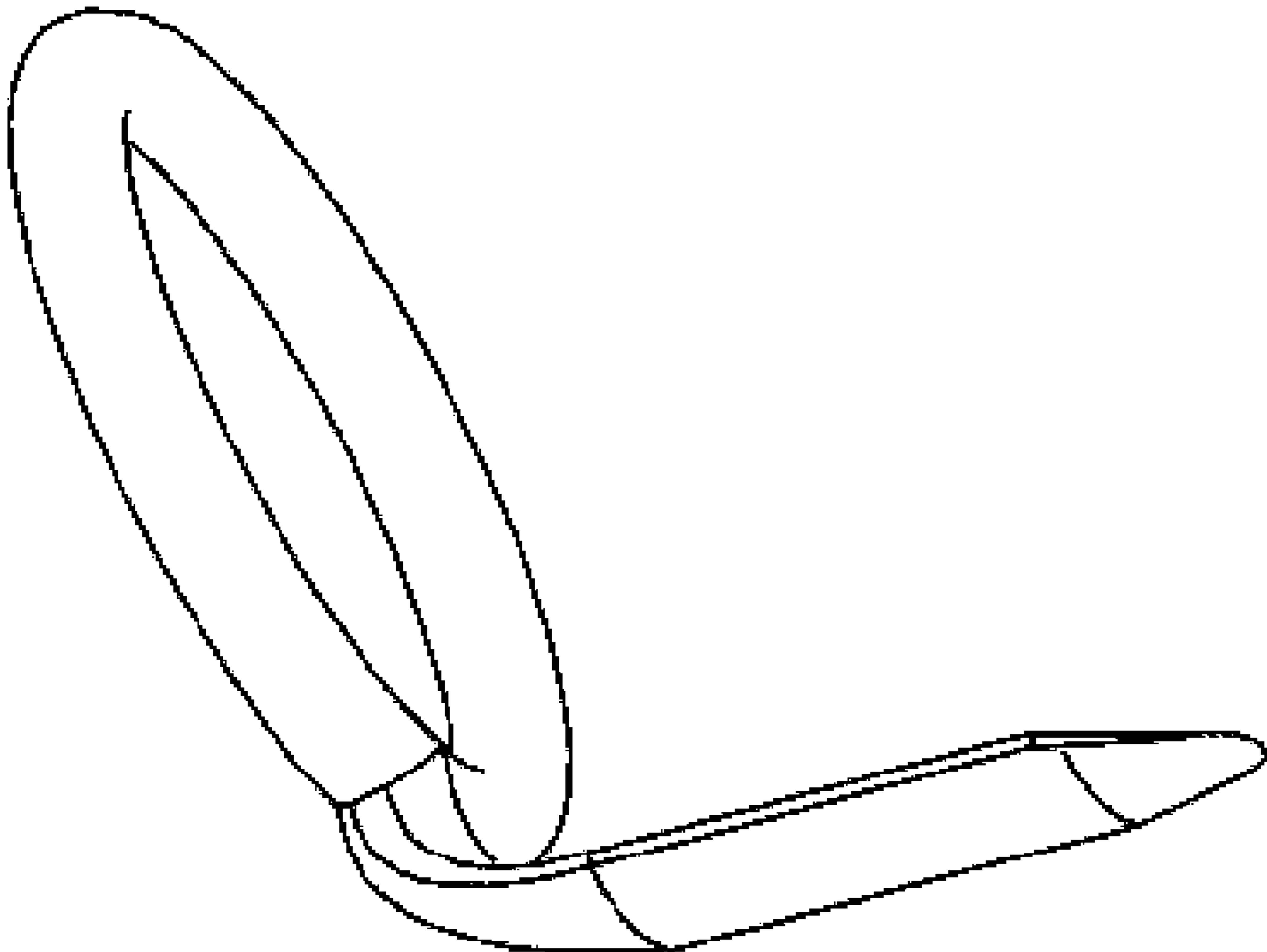
FIG. 4 is a front view of the tubeless tip top.

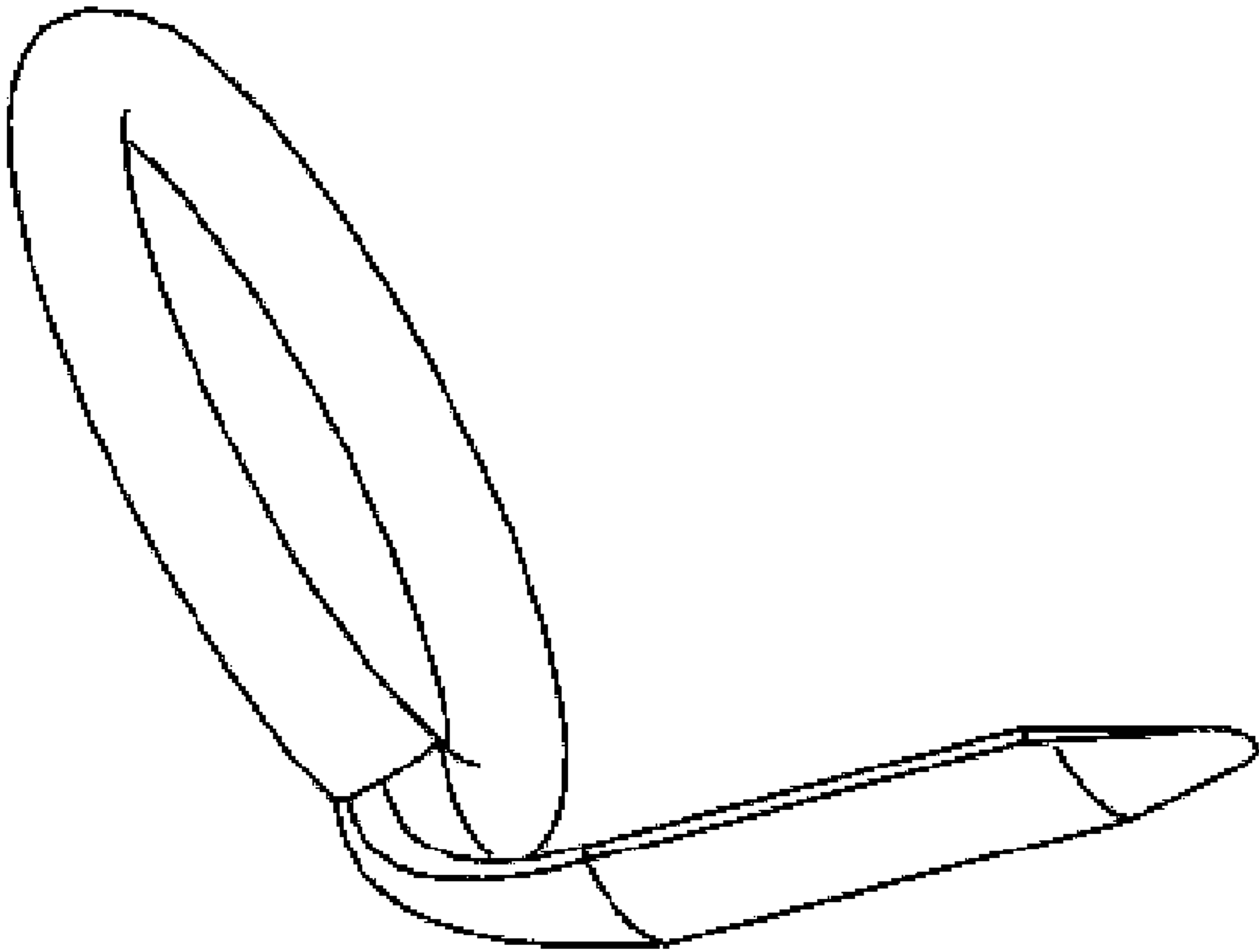
FIG. 5 is a rear view of the tubeless tip top.

FIG. 6 is a view of the left side of the tubeless tip top; and,

FIG. 7 is a view of the right side of the tubeless tip top.

**1 Claim, 4 Drawing Sheets**





**Figure 1**

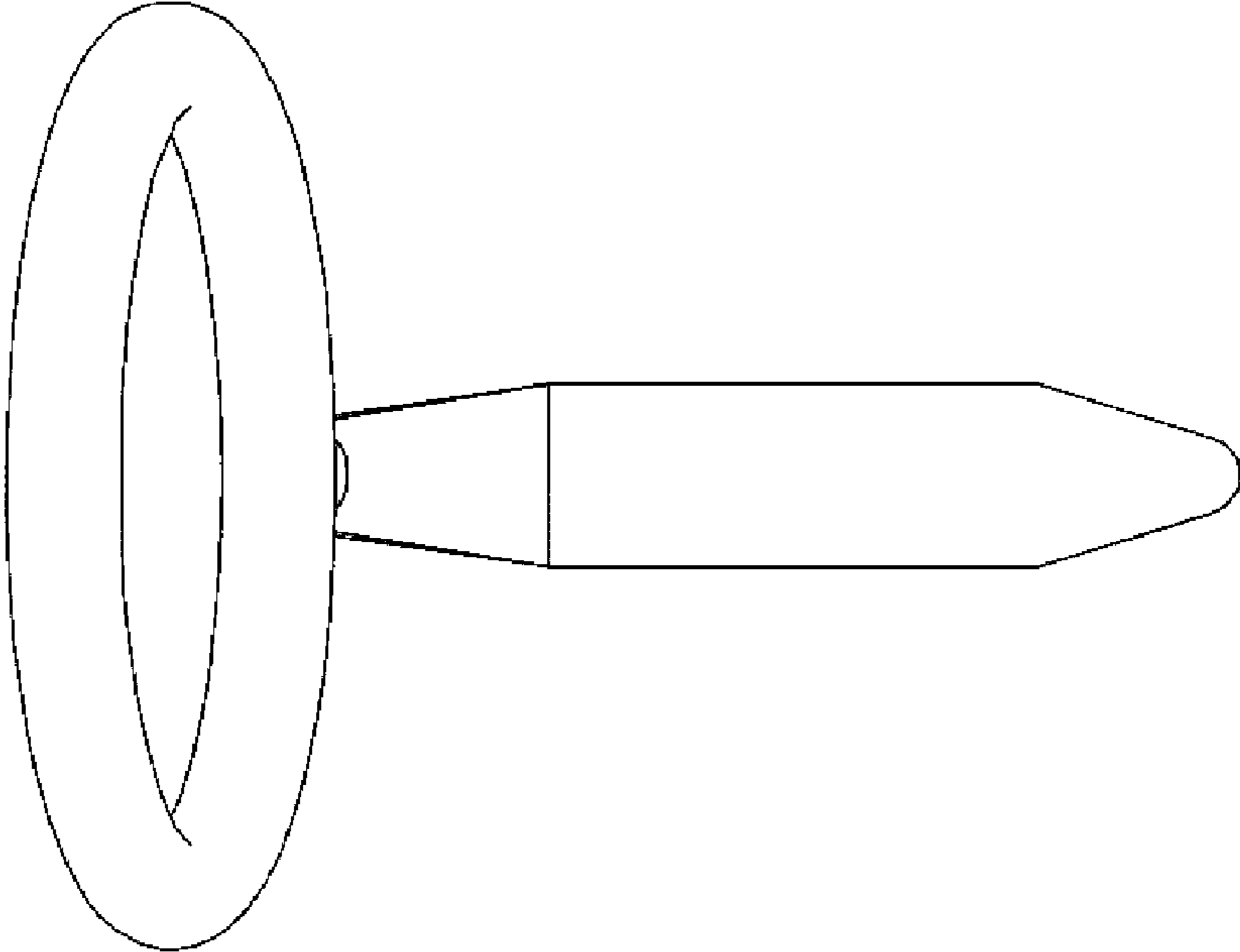


Figure 2

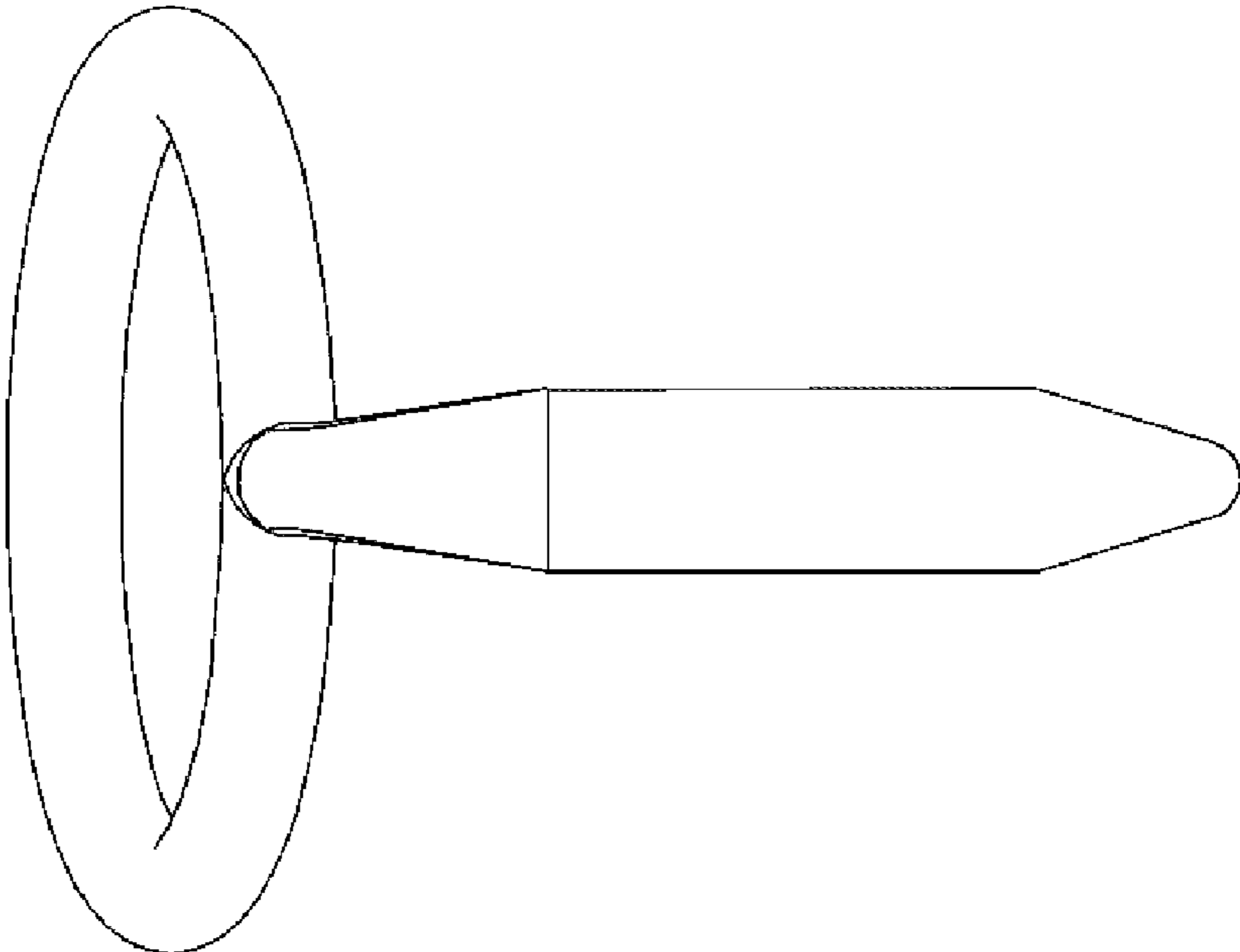
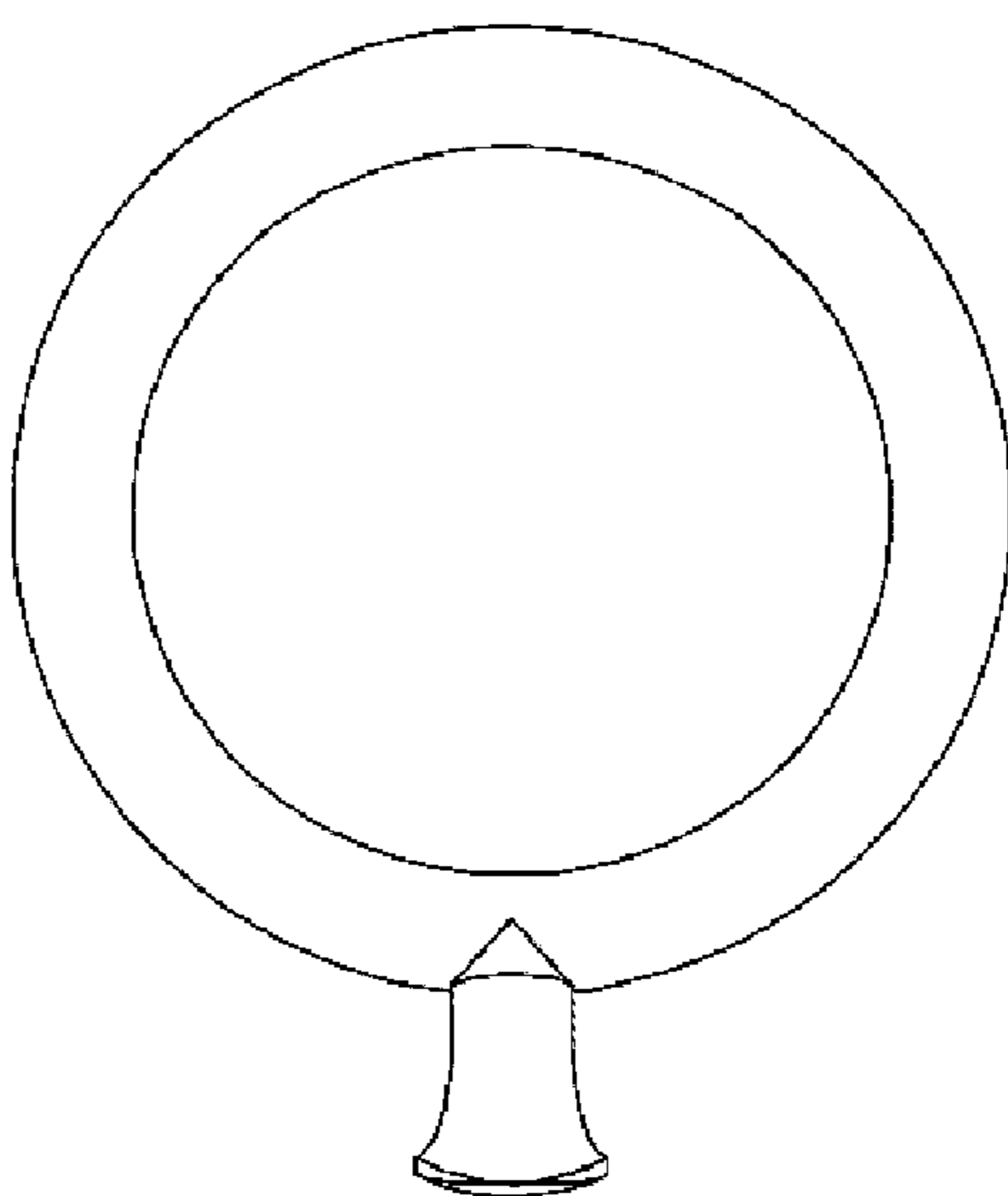
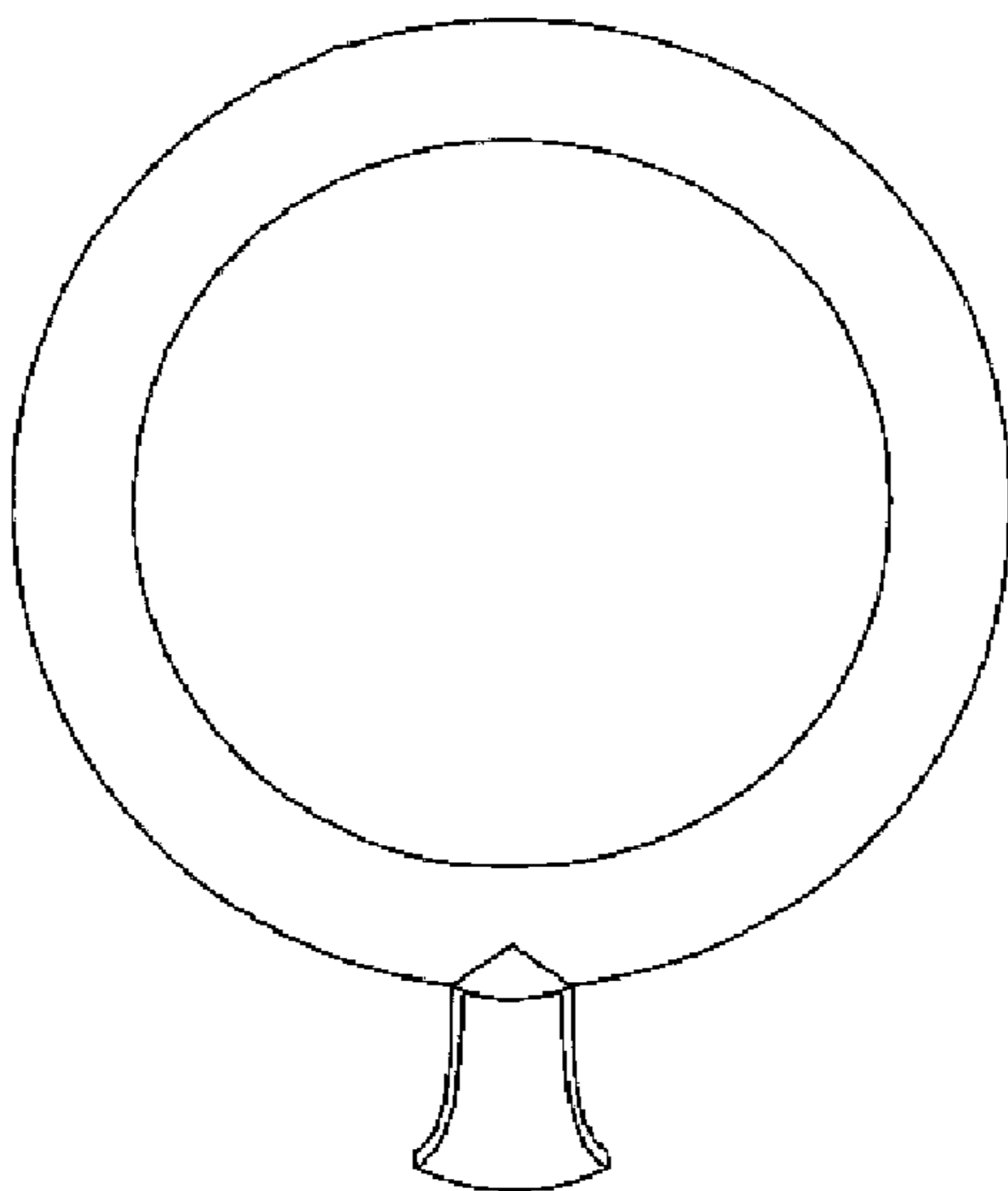


Figure 3



**Figure 4**



**Figure 5**

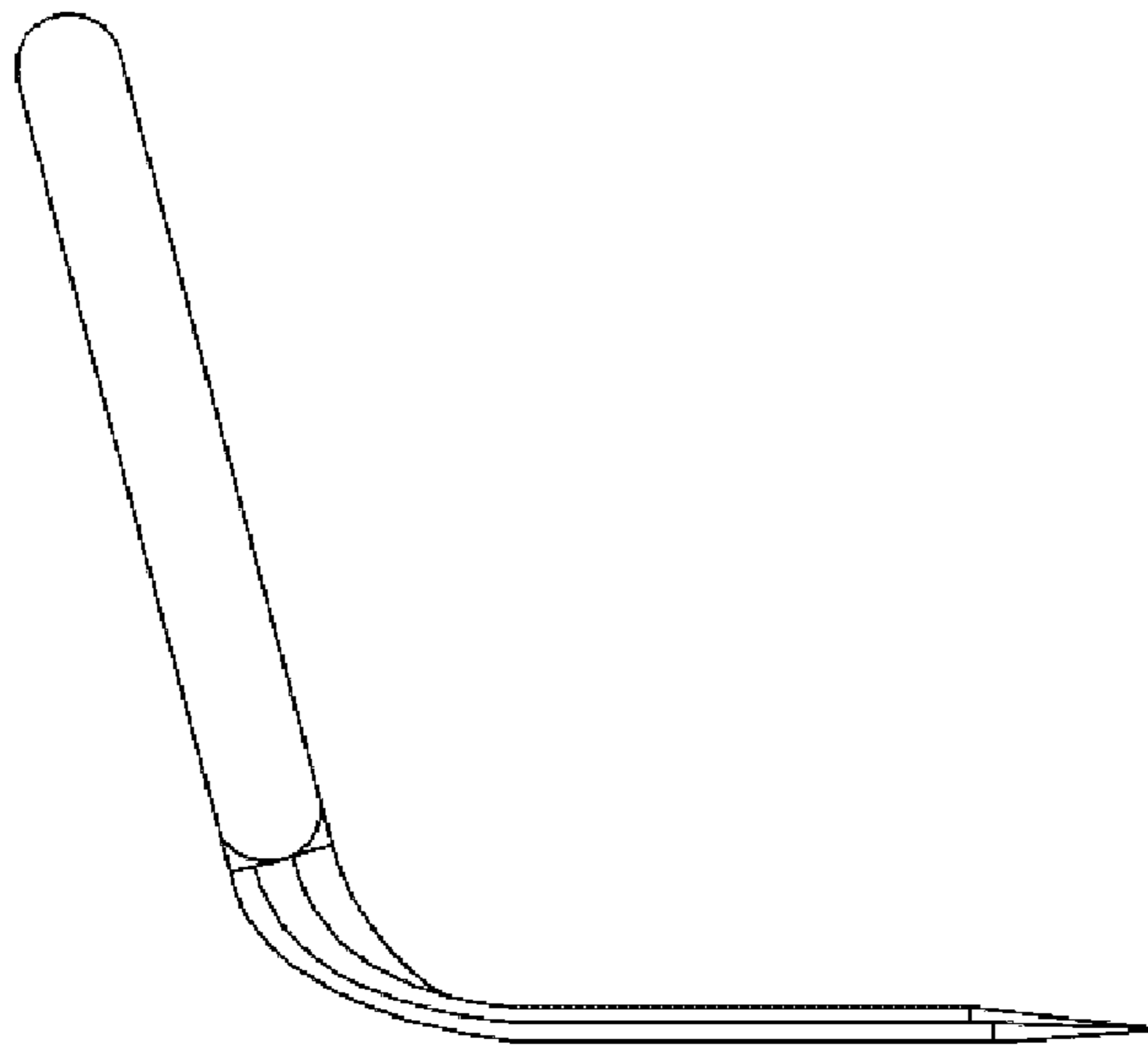


Figure 6

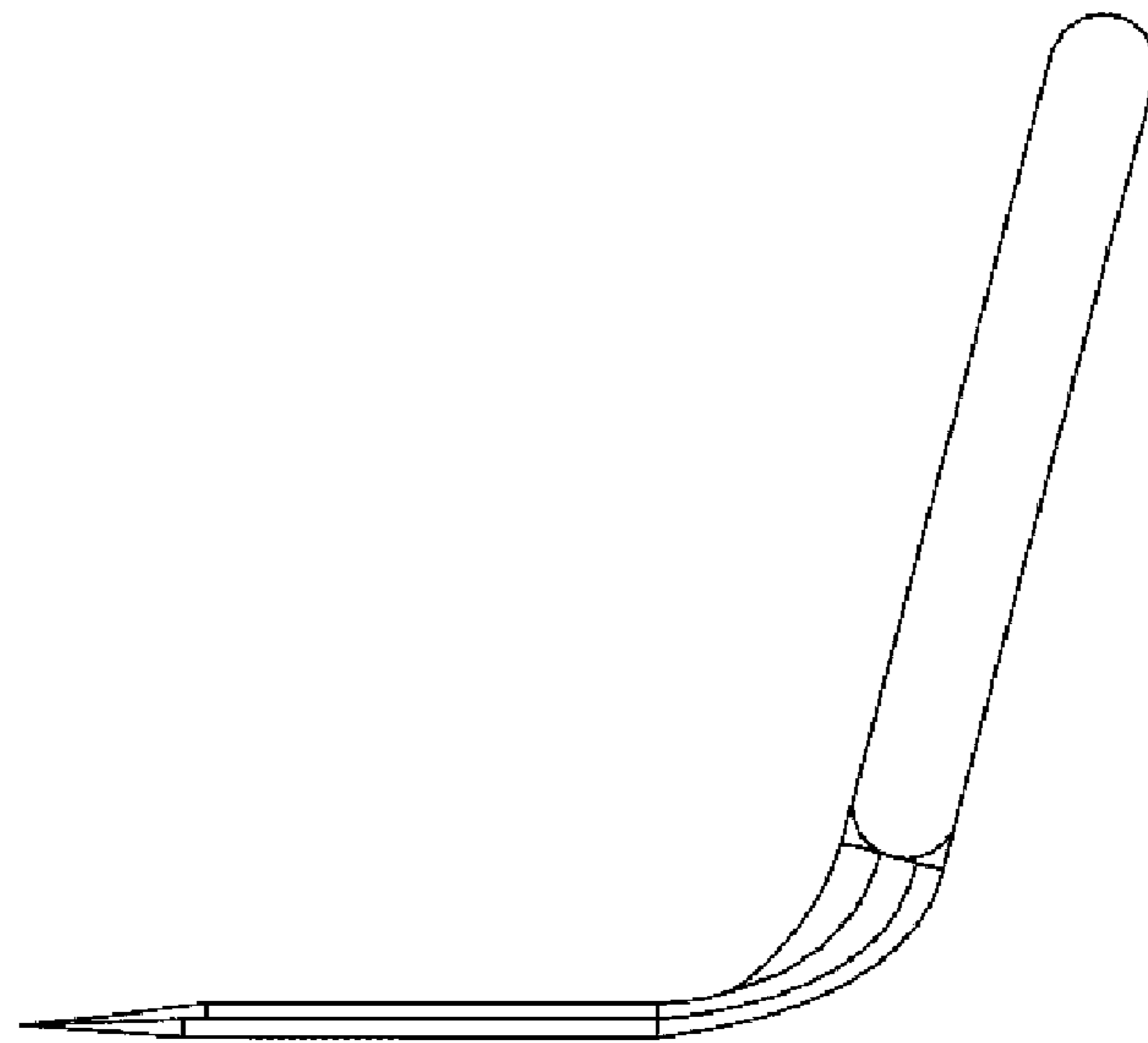


Figure 7