



US00D620997S

(12) **United States Design Patent**
Rodstein

(10) **Patent No.:** **US D620,997 S**

(45) **Date of Patent:** **** Aug. 3, 2010**

(54) **LIGHTED CLOSED REEL**

(75) Inventor: **Jerome M. Rodstein**, Palos Verdes, CA
(US)

(73) Assignee: **Master Fishing Tackle Corporation**,
Carson, CA (US)

(**) Term: **14 Years**

(21) Appl. No.: **29/353,735**

(22) Filed: **Jan. 13, 2010**

(51) **LOC (9) Cl.** **22-05**

(52) **U.S. Cl.** **D22/141**

(58) **Field of Classification Search** D22/141,
D22/137-140, 134; 43/19-22; 242/234-240,
242/310-319, 323

See application file for complete search history.

(56) **References Cited**

U.S. PATENT DOCUMENTS

D357,301 S	4/1995	Furomoto	
D357,726 S	4/1995	Furomoto	
D368,513 S	4/1996	Moriya et al.	
D374,060 S	9/1996	Asano et al.	
D374,269 S	10/1996	Asano et al.	
D376,409 S *	12/1996	Zwayer et al.	D22/141
D380,521 S *	7/1997	Robbins	D22/141
D404,109 S *	1/1999	Zwayer et al.	D22/141

D412,196 S	7/1999	Asano et al.	
D414,840 S *	10/1999	Kirby	D22/141
D530,778 S *	10/2006	Young	D22/141
D561,870 S	2/2008	Myojo et al.	
D591,384 S	4/2009	Bo	

* cited by examiner

Primary Examiner—Catherine R Oliver

(74) *Attorney, Agent, or Firm*—Blakely, Sokoloff, Taylor & Zafman, LLP

(57) **CLAIM**

The ornamental design for a lighted closed reel, as shown and described.

DESCRIPTION

FIG. 1 is a perspective view of a fishing reel.

FIG. 2 is a right side view of a fishing reel of FIG. 1.

FIG. 3 is a left side view of a fishing reel of FIG. 1.

FIG. 4 is a front view of a fishing reel of FIG. 1.

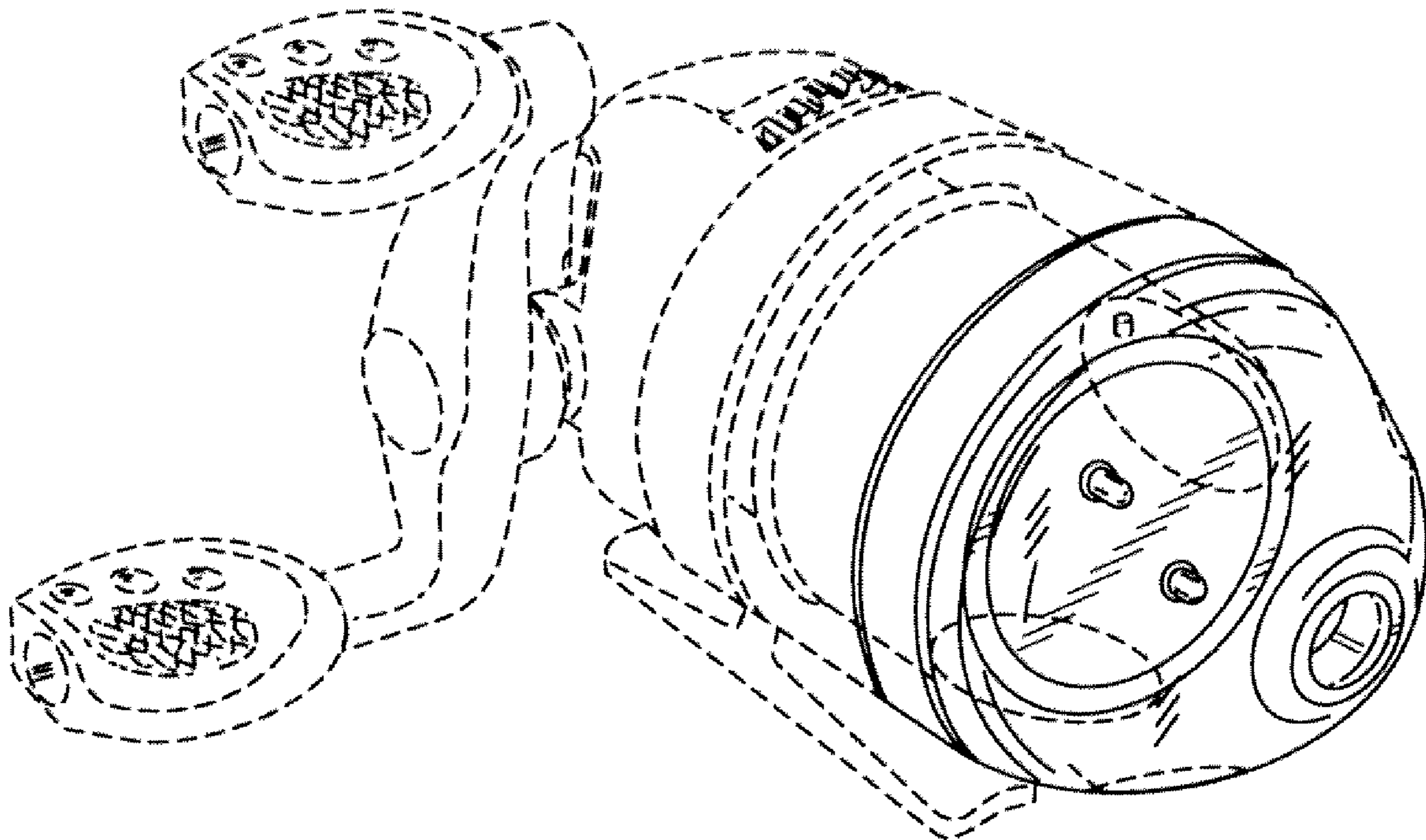
FIG. 5 is a rear view of a fishing reel of FIG. 1.

FIG. 6 is a top view of a fishing reel of FIG. 1; and,

FIG. 7 is a bottom view of a fishing reel of FIG. 1.

The broken lines in the figures are for environmental purpose only and form no part of the claimed design.

1 Claim, 4 Drawing Sheets



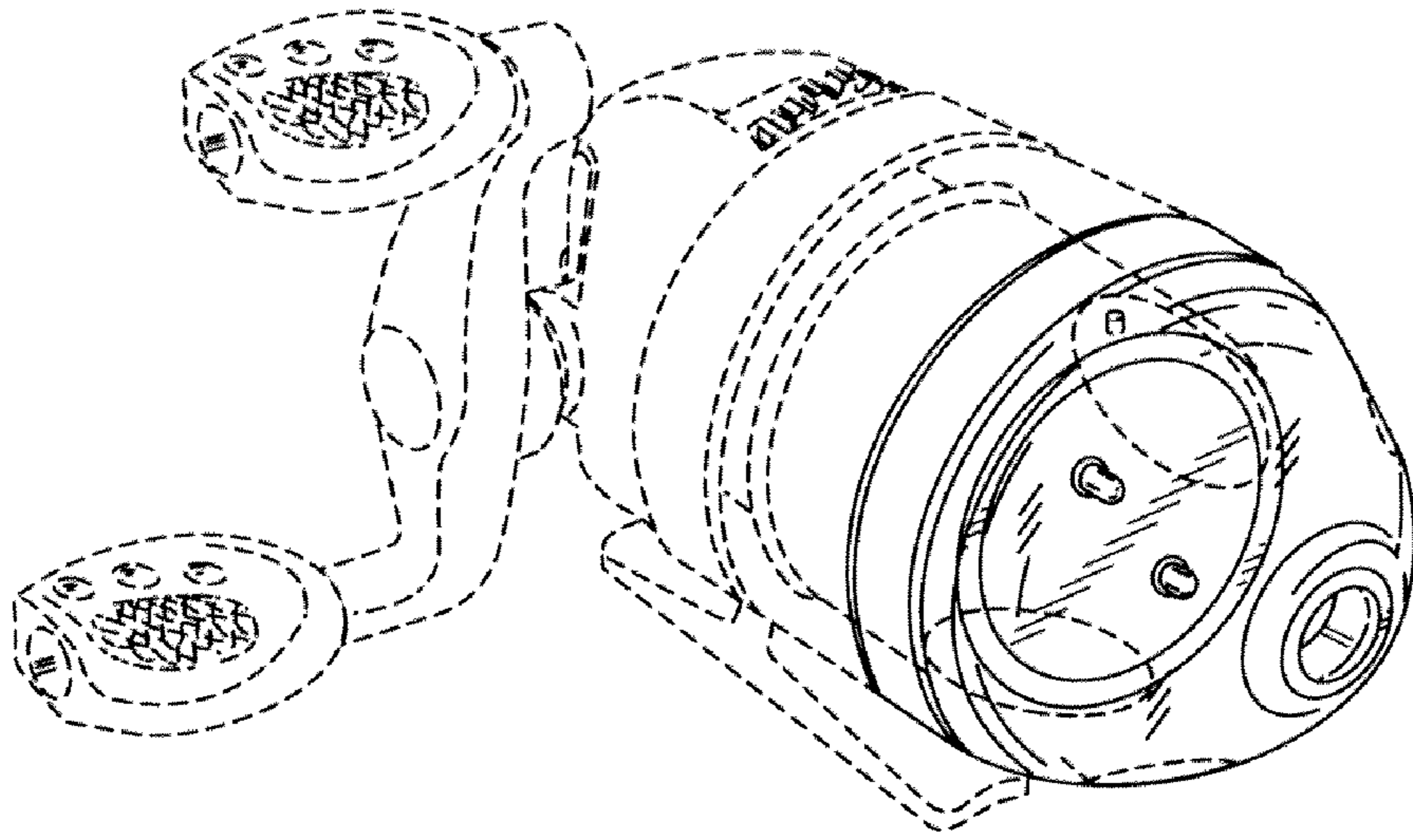


FIG. 1

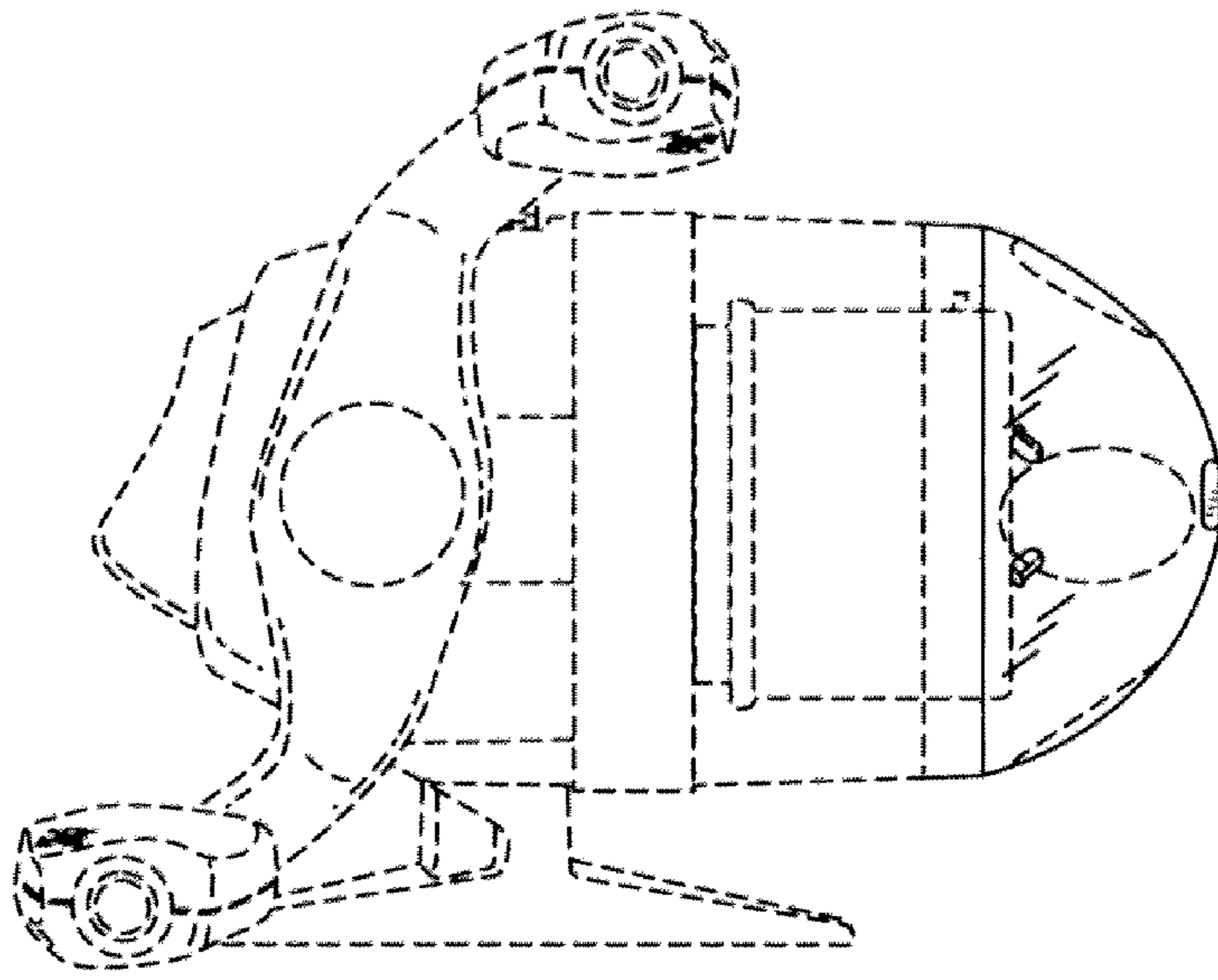


FIG. 2

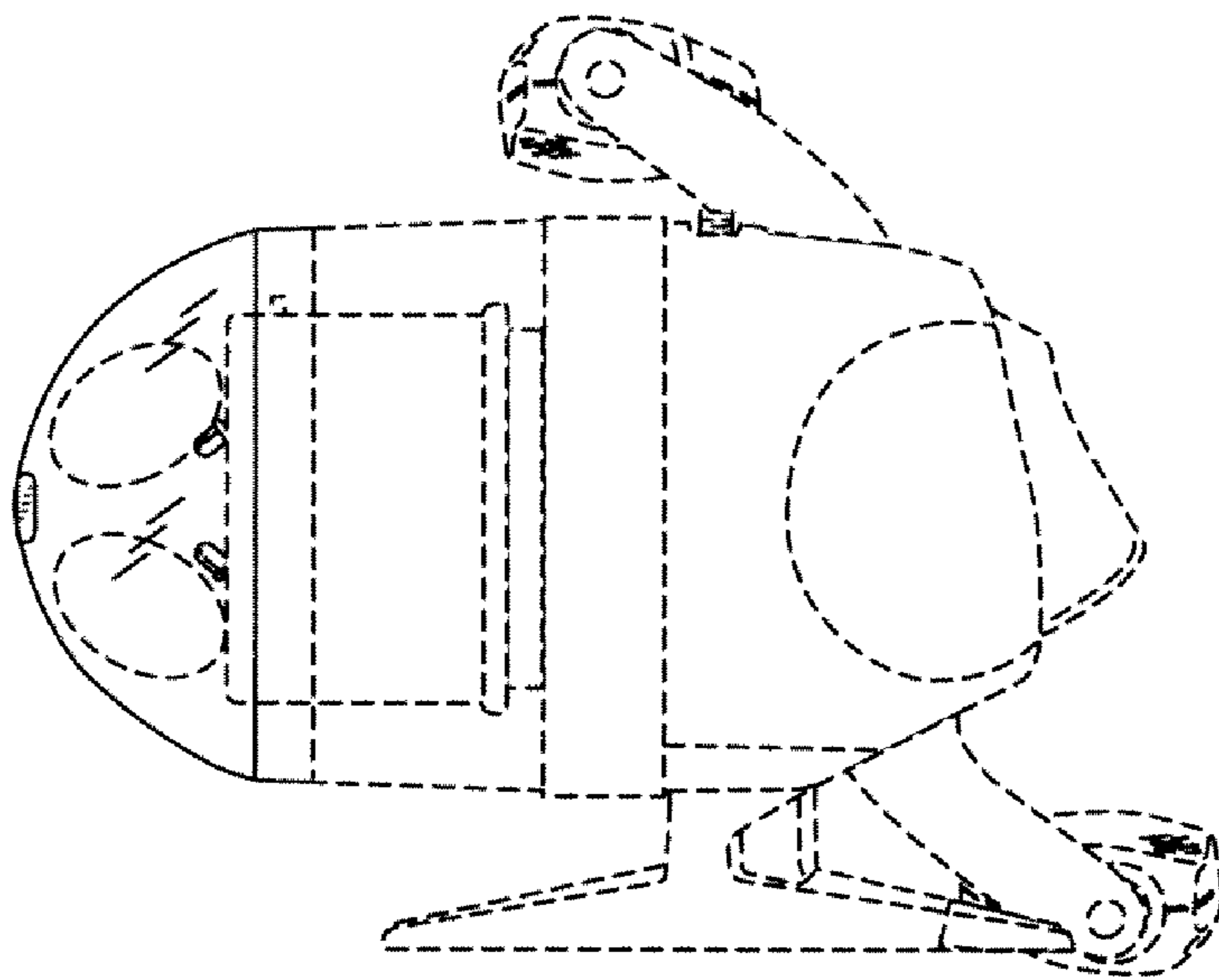


FIG. 3

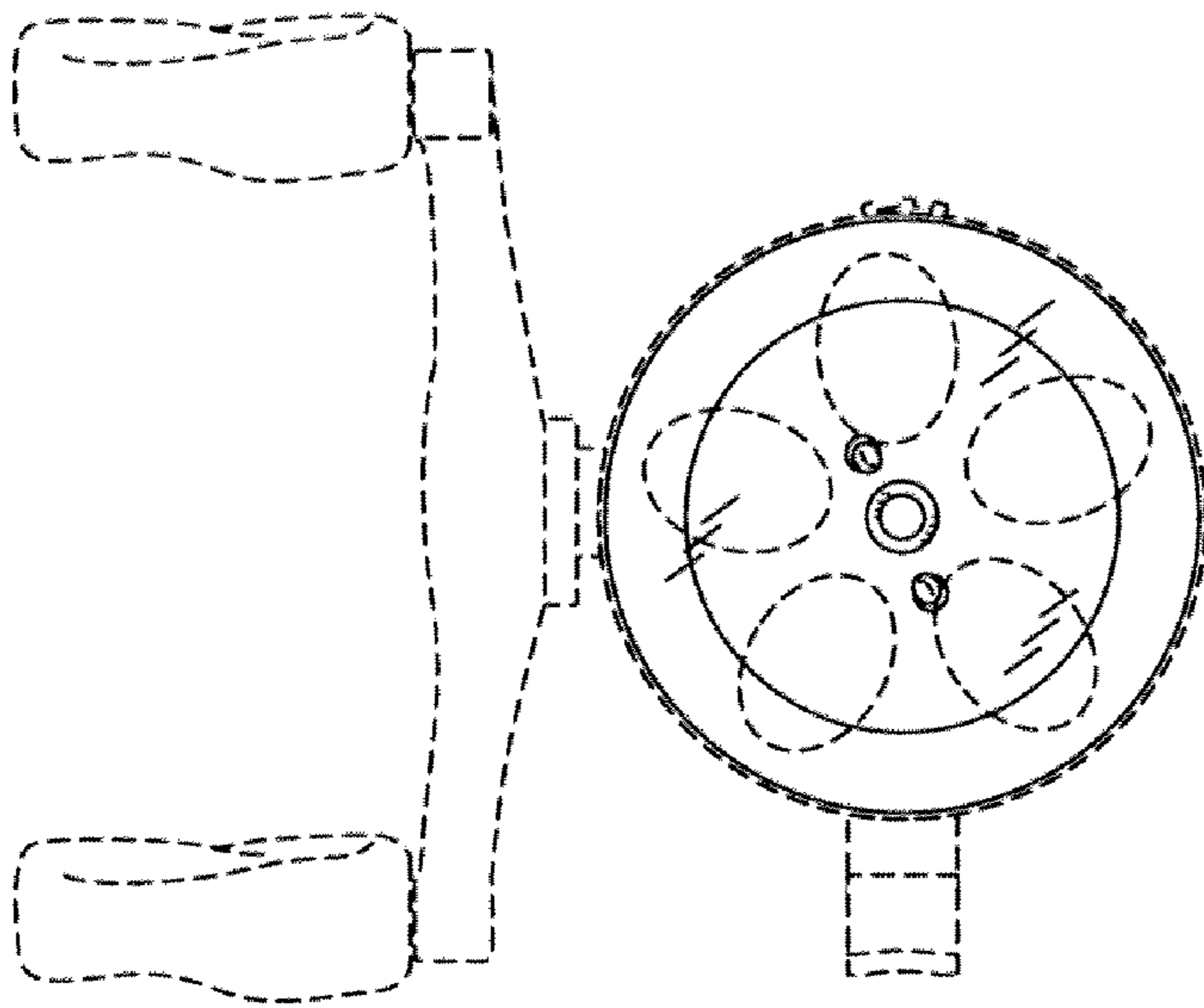


FIG. 4

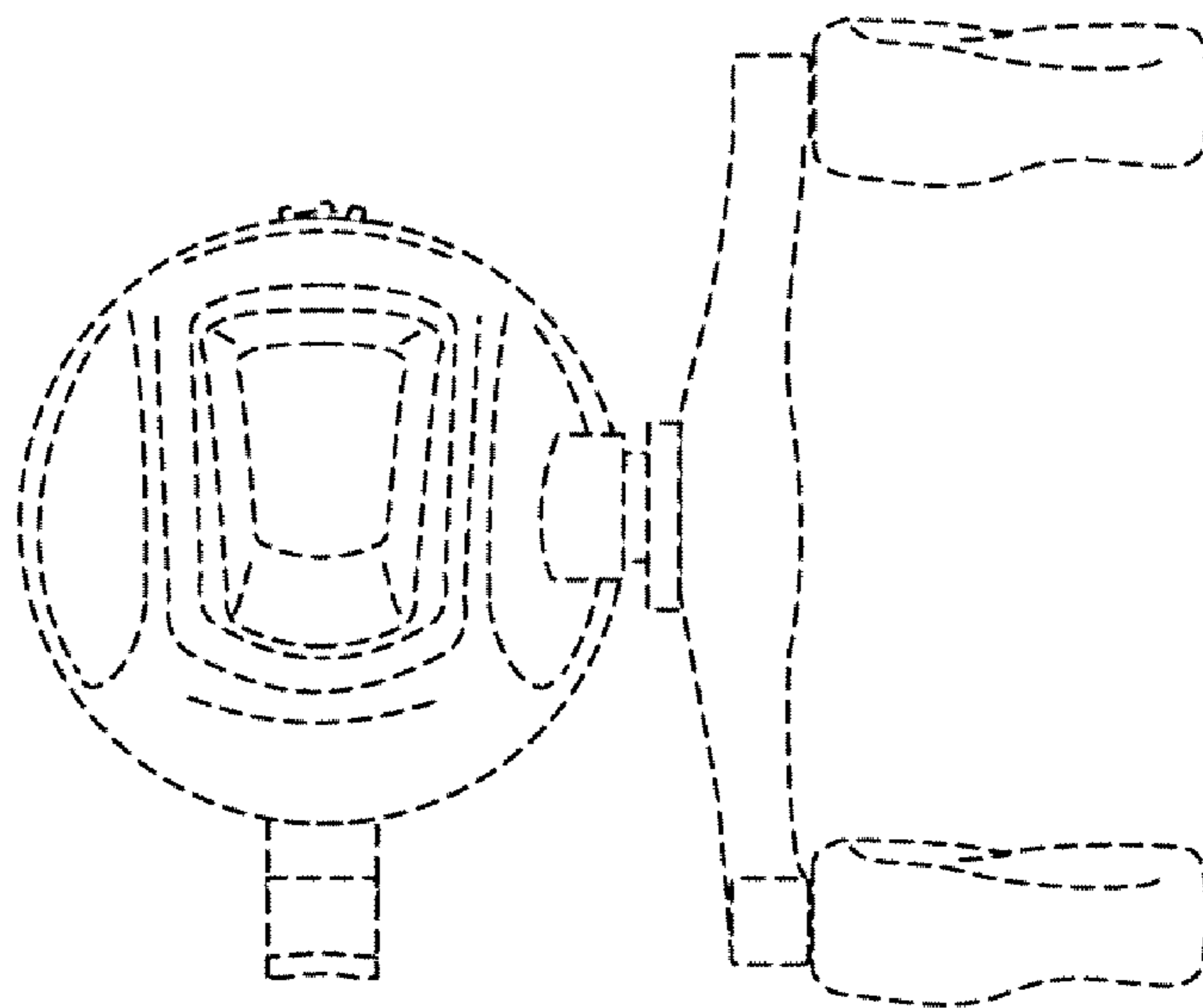


FIG. 5

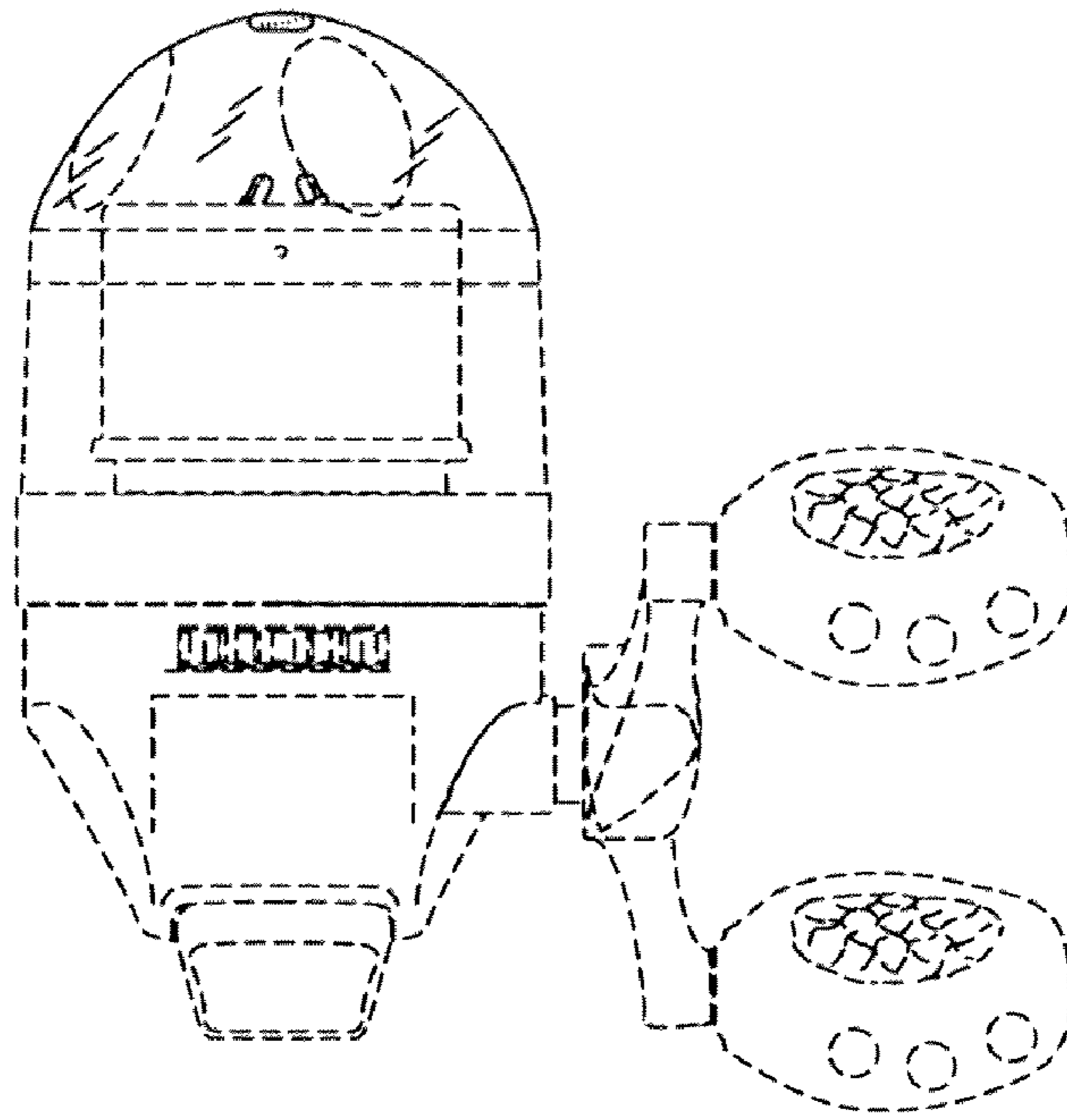


FIG. 6

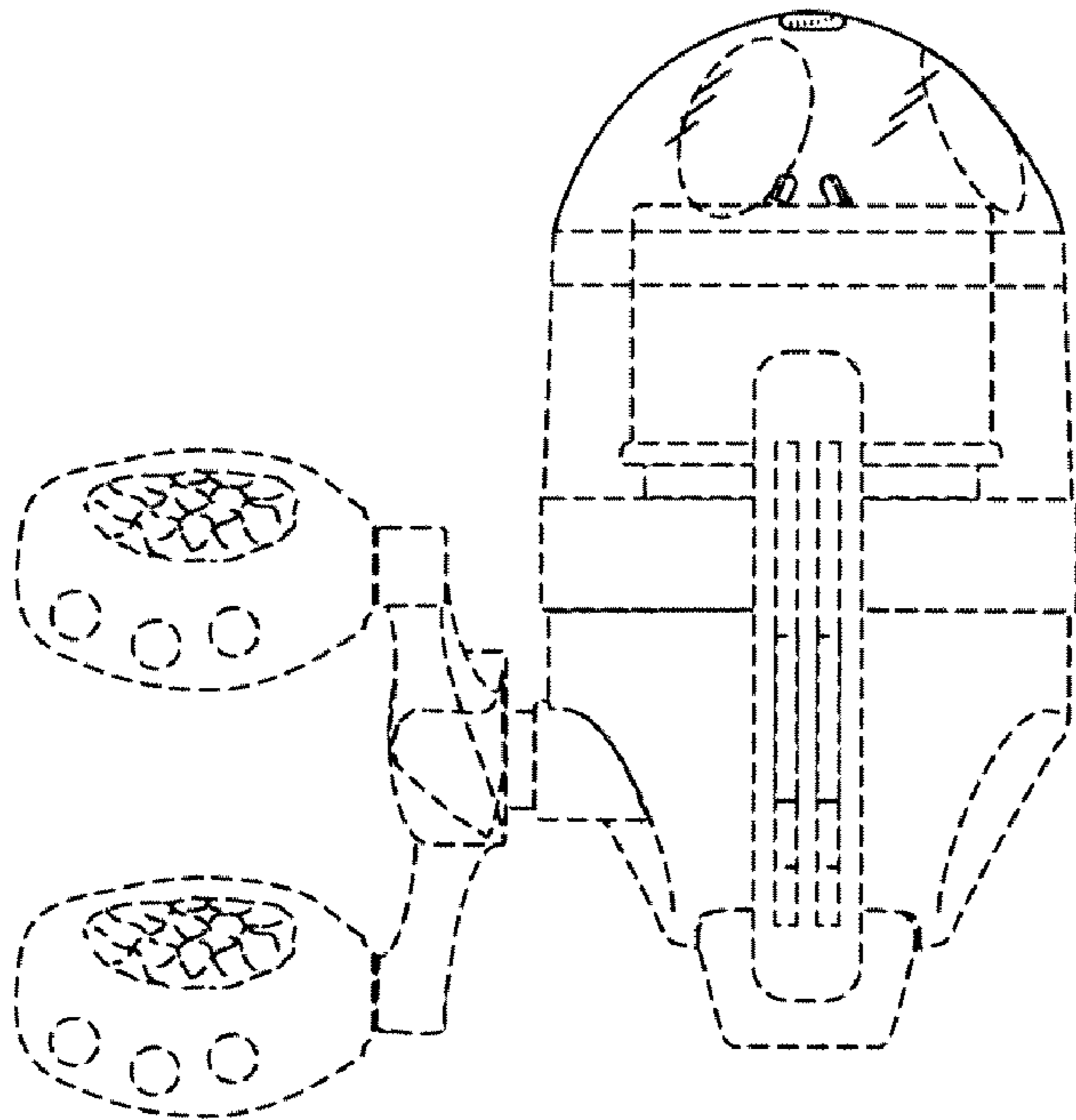


FIG. 7