



US00D620995S

(12) **United States Design Patent**
Hamad

(10) **Patent No.:** **US D620,995 S**

(45) **Date of Patent:** **** Aug. 3, 2010**

(54) **INFLATABLE TENT WITH CHAIRS**

(76) **Inventor:** **Saed Hamad**, 2105 Abby Knoll Dr.,
Apex, NC (US) 27502

(**) **Term:** **14 Years**

(21) **Appl. No.:** **29/352,288**

(22) **Filed:** **Dec. 18, 2009**

(51) **LOC (9) Cl.** **21-04**

(52) **U.S. Cl.** **D21/835; D21/837**

(58) **Field of Classification Search** D21/801,
D21/803, 814, 819, 820, 834, 835, 837, 839;
D25/56, 57; D6/334, 335, 337, 357, 383,
D6/389; 135/124, 126, 136; 52/2.11, 2.13,
52/2.17, 2.18, 2.19; 297/452.41

See application file for complete search history.

(56) **References Cited**

U.S. PATENT DOCUMENTS

D302,720 S *	8/1989	Merrill	D21/835
D352,328 S *	11/1994	Boyd	D21/835
D361,364 S *	8/1995	Winters	D21/835
D388,494 S *	12/1997	Liu	D21/839
D389,219 S *	1/1998	Liu	D21/839
5,987,822 A *	11/1999	McNiff et al.	52/2.11
D422,667 S *	4/2000	Lau	D21/814
D439,946 S *	4/2001	Gourchounian	D21/835
6,328,385 B1 *	12/2001	Lau	297/452.41
D466,176 S *	11/2002	Peterson	D21/803
D504,487 S *	4/2005	Peterson	D21/835
D504,488 S *	4/2005	Peterson	D21/835
D554,224 S *	10/2007	Peterson	D21/803

D554,727 S *	11/2007	Peterson	D21/803
D574,052 S *	7/2008	Peterson	D21/801
D592,270 S *	5/2009	Cobb et al.	D21/835
D595,802 S *	7/2009	Boulton et al.	D21/835

* cited by examiner

Primary Examiner—Cynthia M Chin

(74) *Attorney, Agent, or Firm*—Squire, Sanders & Dempsey LLP

(57) **CLAIM**

The ornamental design for an inflatable tent with chairs, as shown and described.

DESCRIPTION

FIG. 1 is a perspective view of the ornamental design of the present invention;

FIG. 2 is a front view of the ornamental design of the present invention;

FIG. 3 is a back view of the ornamental design of the present invention;

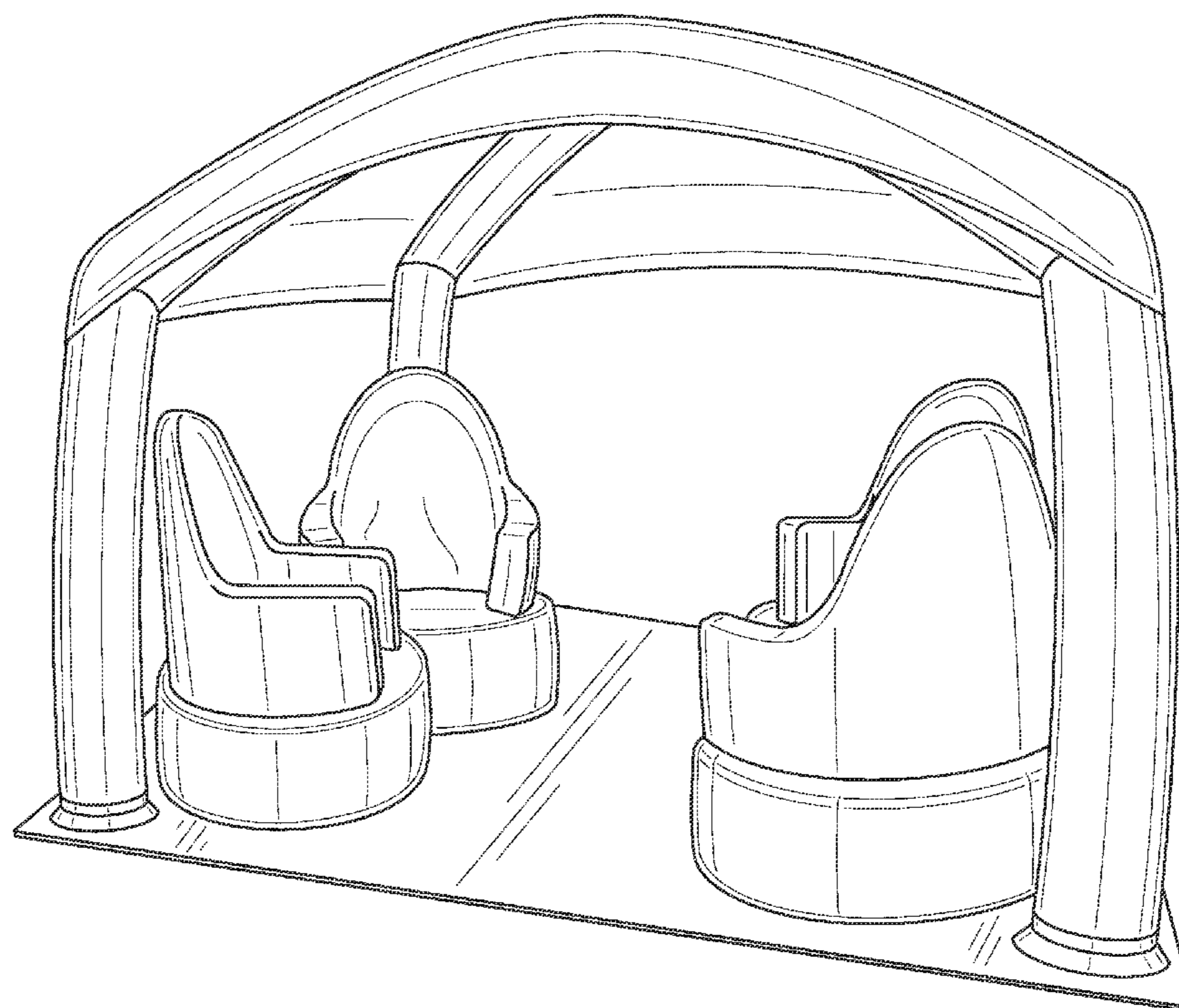
FIG. 4 is a left side view of the ornamental design of the present invention, the right side view being a mirror image thereof;

FIG. 5 is top view of the ornamental design of the present invention;

FIG. 6 is a bottom view of the ornamental design of the present invention; and,

FIG. 7 is a cross sectional view taken from line 7—7 shown in FIG. 4.

1 Claim, 7 Drawing Sheets



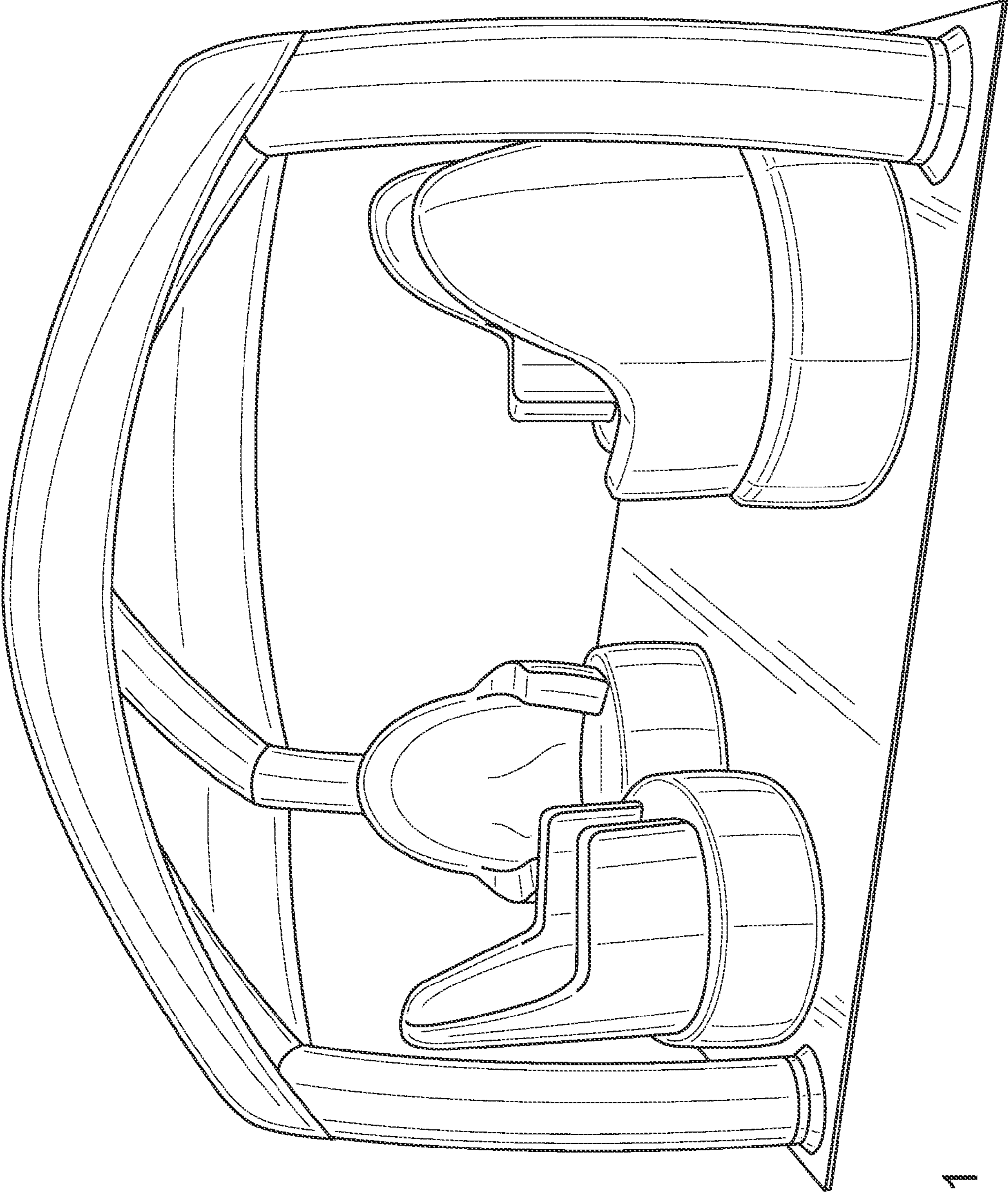


FIG.1

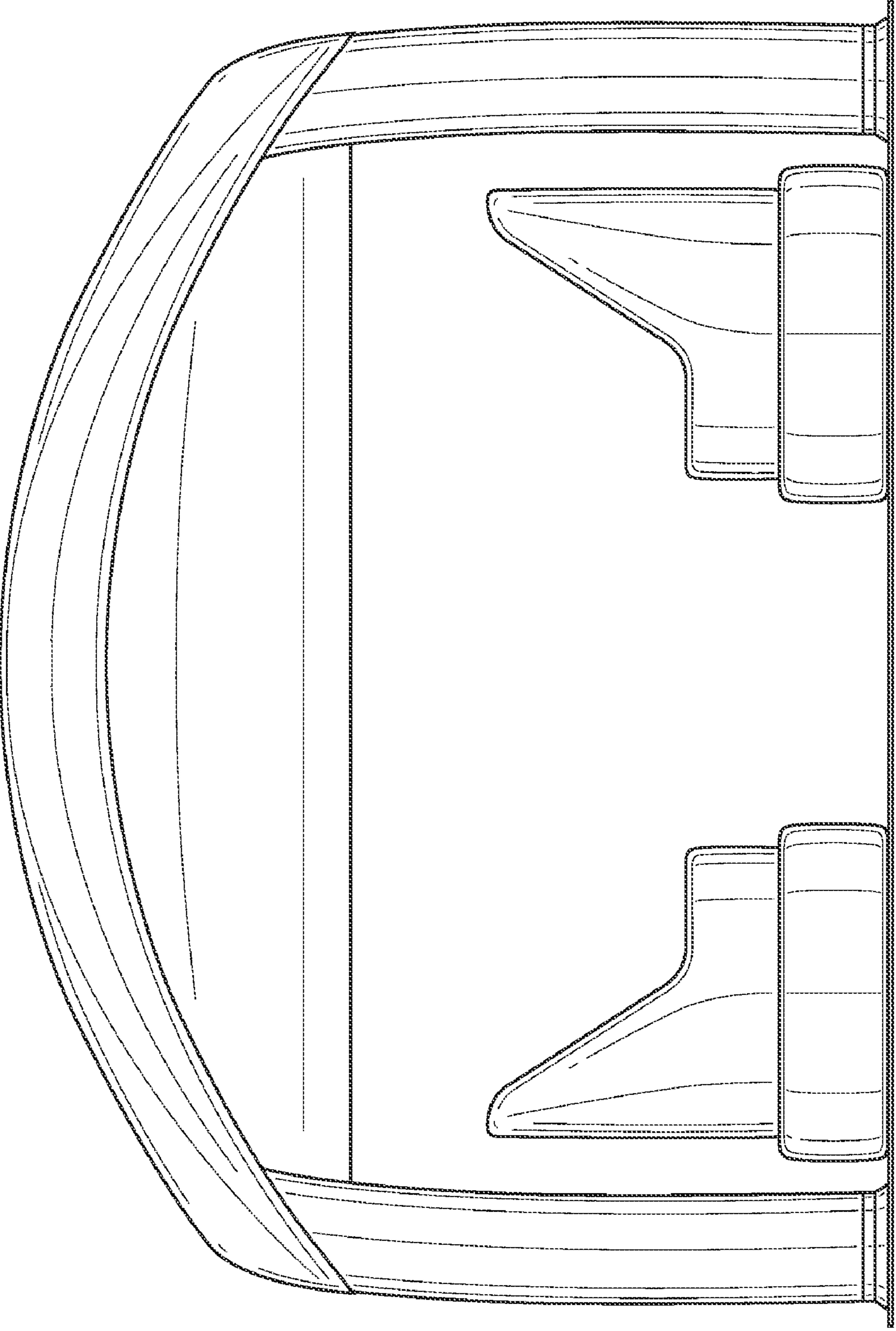


FIG.2

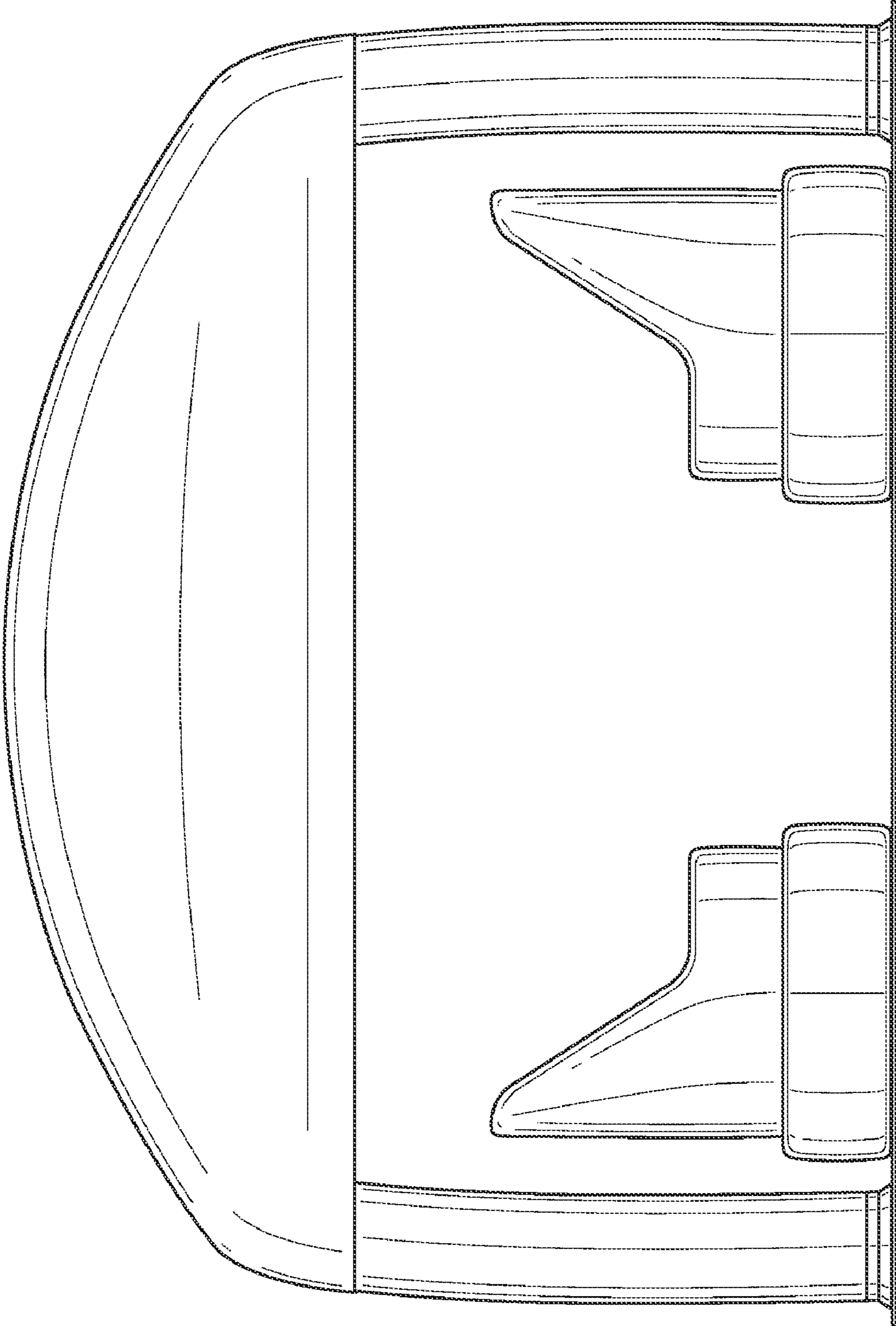


FIG. 3

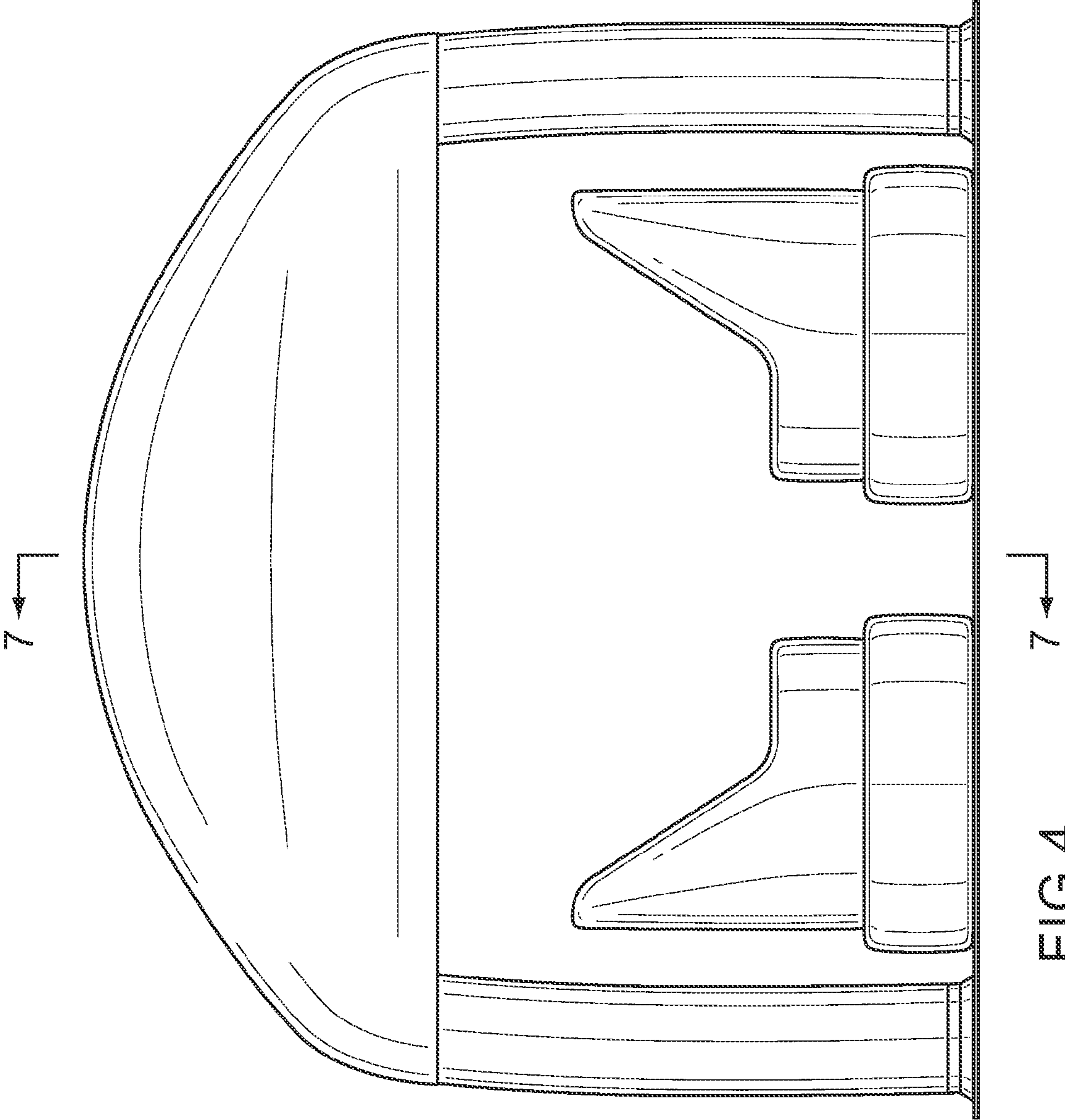


FIG.4

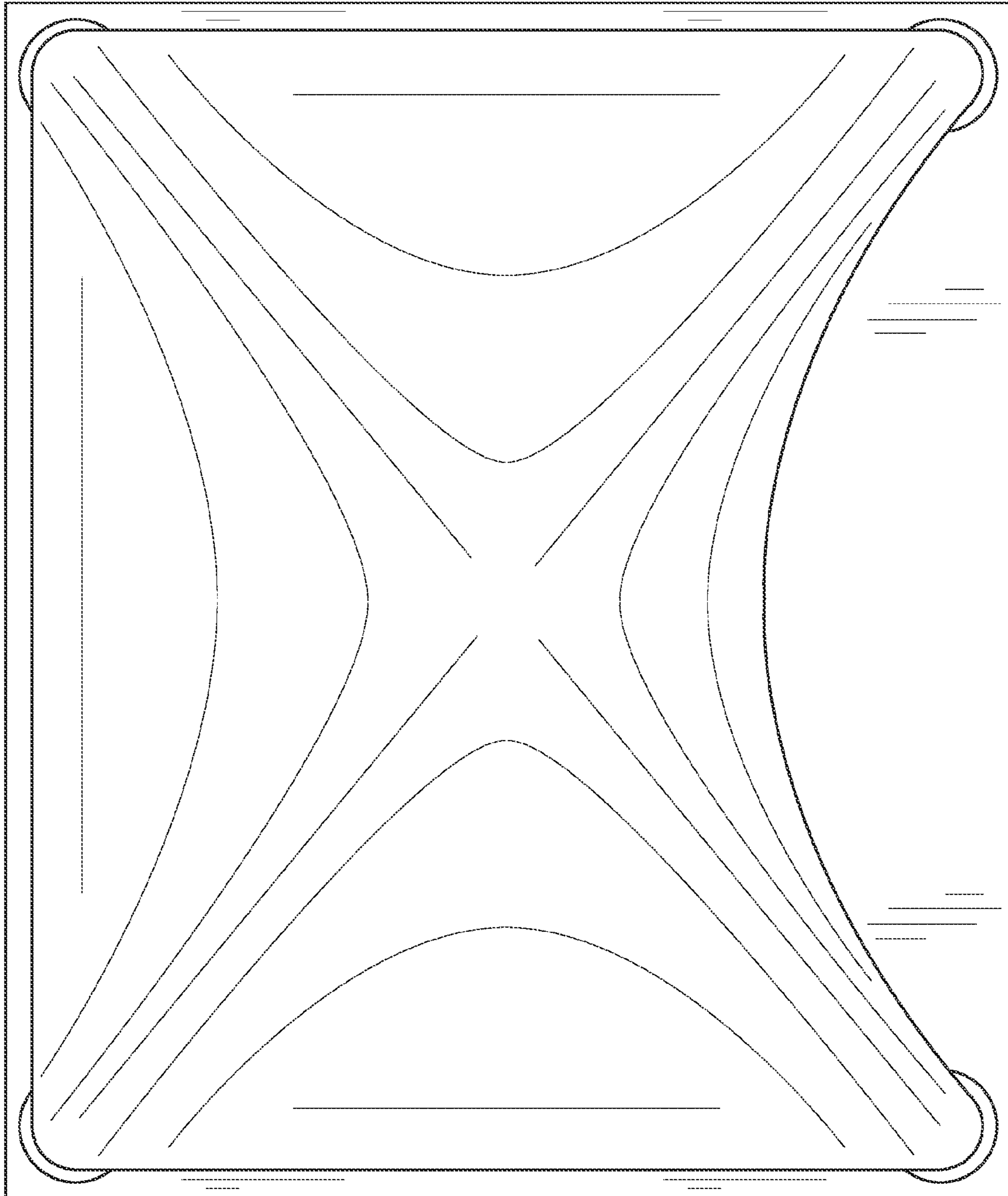


FIG. 5

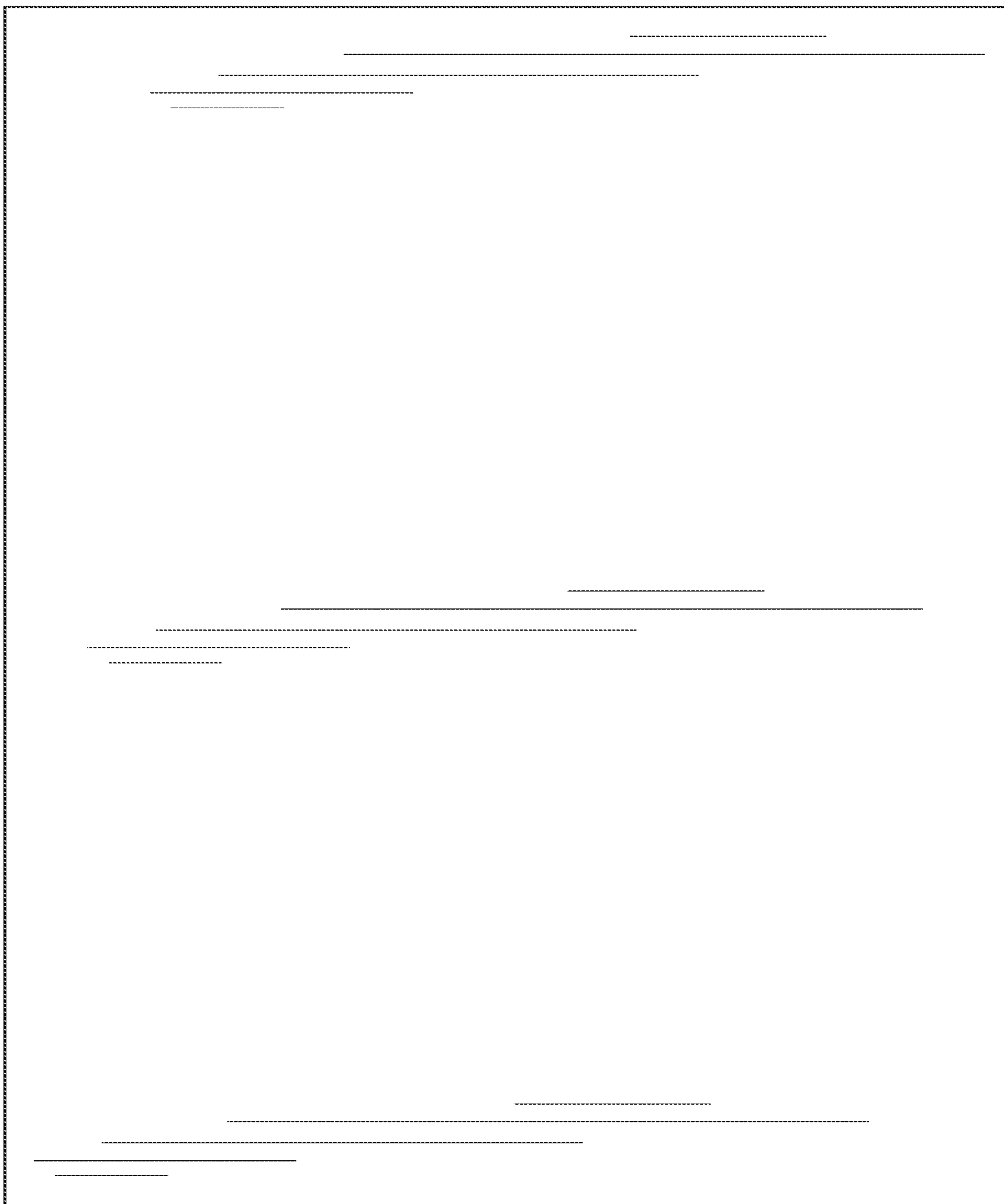


FIG. 6

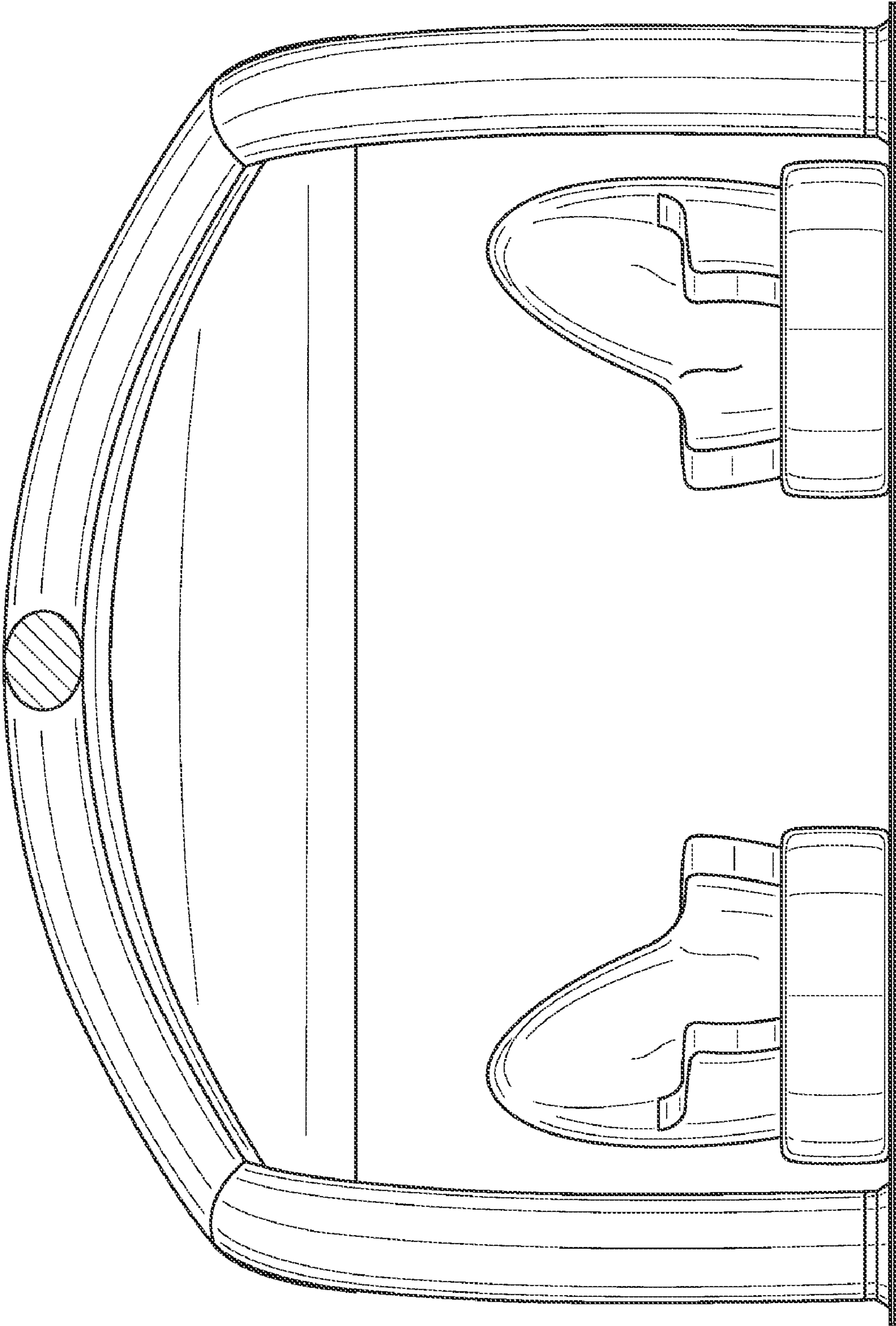


FIG. 7