



US00D620994S

(12) **United States Design Patent**
Jordan

(10) **Patent No.:** **US D620,994 S**

(45) **Date of Patent:** **** Aug. 3, 2010**

(54) **SPORTS BOARD**

(76) **Inventor:** **Christopher Jordan**, 1201 S. Douglas,
Midwest City, OK (US) 73110

(**) **Term:** **14 Years**

(21) **Appl. No.:** **29/315,280**

(22) **Filed:** **Jun. 10, 2009**

(51) **LOC (9) Cl.** **21-02**

(52) **U.S. Cl.** **D21/765**

(58) **Field of Classification Search** D21/419,
D21/421, 423, 426, 435, 769, 760, 765, 771,
D21/803; D12/1, 8; 280/7.14, 11.115, 11.28,
280/14.21, 14.25, 14.26, 87.01, 87.041, 87.042,
280/263, 288.1, 288.2, 288.4, 200, 214, 611,
280/809, 811, 816; 180/180, 181
See application file for complete search history.

(56) **References Cited**

U.S. PATENT DOCUMENTS

4,875,694	A *	10/1989	Hamrick	280/87.01
5,362,087	A *	11/1994	Agid	280/611
5,458,351	A *	10/1995	Yu	280/87.042
5,544,919	A *	8/1996	Tinkler	280/809
5,927,732	A *	7/1999	Snyder	280/87.01
5,947,495	A *	9/1999	Null et al.	280/87.042
6,568,695	B2 *	5/2003	Dornan	280/87.042
D498,810	S	11/2004	Stanisewski, Jr.		
D504,930	S *	5/2005	Joung et al.	D21/765
D505,463	S	5/2005	Mejia		

6,896,274	B2 *	5/2005	Leslie	280/87.042
D524,400	S	7/2006	Langford		
D529,565	S	10/2006	Warner		
D561,288	S	2/2008	Jordan		
7,441,787	B1	10/2008	Jordan		
2001/0048205	A1	12/2001	Schouten		
2002/0011728	A1	1/2002	Osawa		
2002/0089137	A1	7/2002	Chang		
2003/0107199	A1	6/2003	Descinkel		
2004/0032113	A1	2/2004	Ramcon		
2006/0012141	A1 *	1/2006	Bouvet	280/87.042

* cited by examiner

Primary Examiner—Cynthia M Chin

(74) *Attorney, Agent, or Firm*—Randal Homburg

(57) **CLAIM**

The ornamental design for sports board, as shown and described.

DESCRIPTION

FIG. 1 is an upper front perspective view of the sports board.

FIG. 2 is a top deck view of the sports board.

FIG. 3 is a bottom deck view of the sports board.

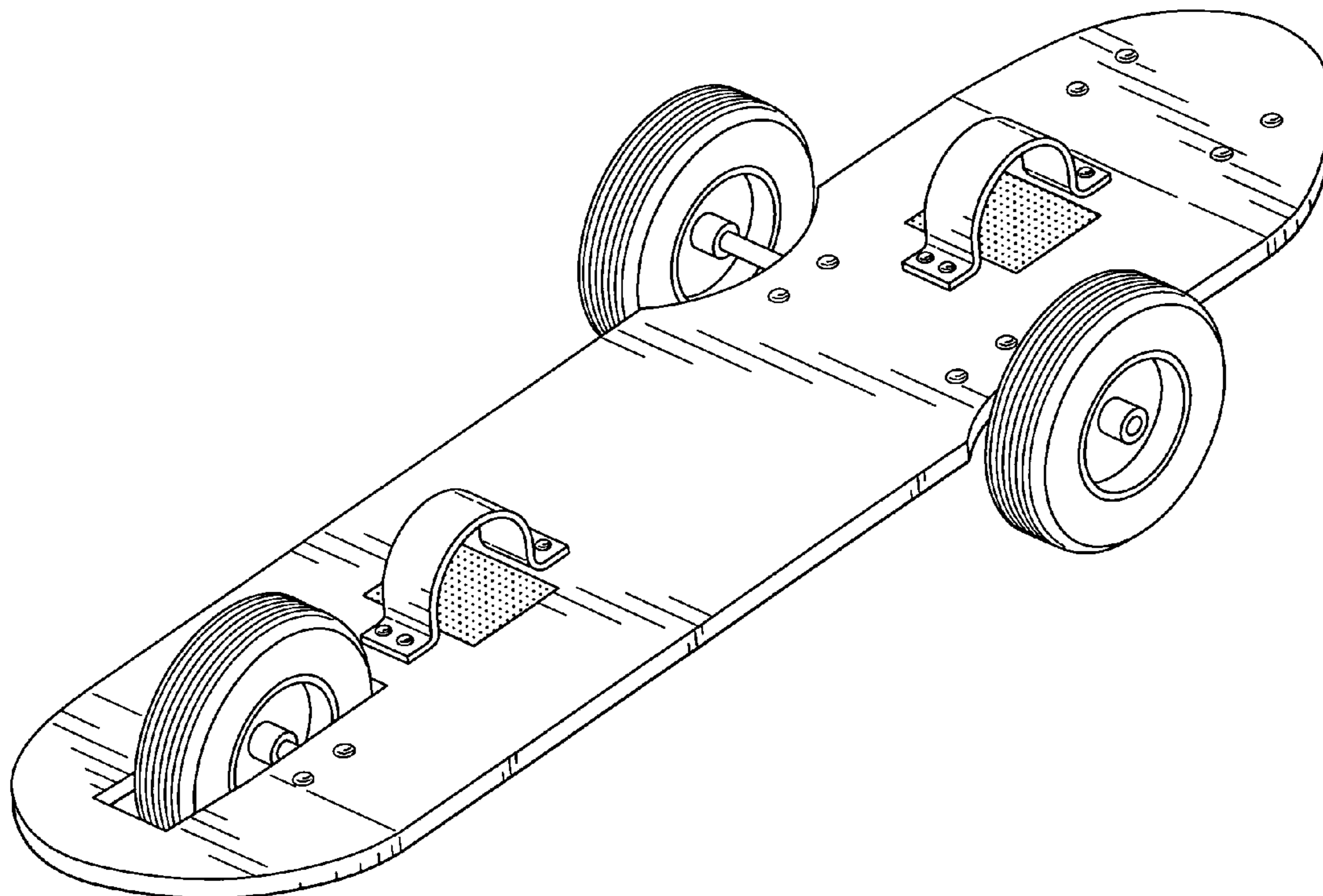
FIG. 4 is a left side view of the sports board.

FIG. 5 is a right side view of the sports board.

FIG. 6 is a front end view of the sports board; and,

FIG. 7 is a rear end view of the sports board.

1 Claim, 3 Drawing Sheets



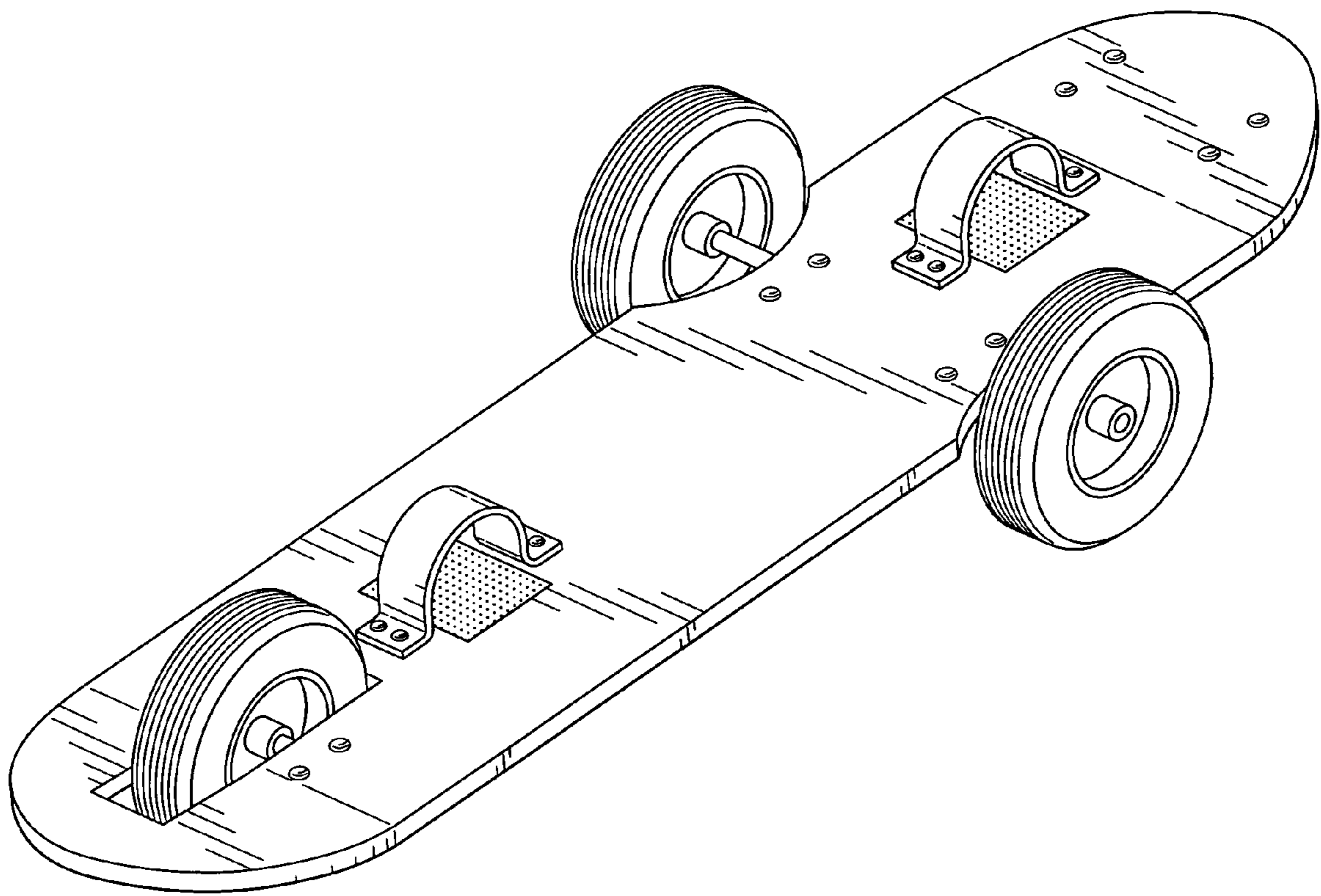


FIG. 1

