



US00D620990S

(12) **United States Design Patent**
Voss

(10) **Patent No.:** **US D620,990 S**
(45) **Date of Patent:** **** Aug. 3, 2010**

(54) **COMBINED LAPTOP AND DESK FOR A CHILD**

(75) Inventor: **Gisela Voss**, Newton, MA (US)

(73) Assignee: **Battat Incorporated**, Plattsburgh, NY (US)

(**) Term: **14 Years**

(21) Appl. No.: **29/337,269**

(22) Filed: **May 18, 2009**

(51) **LOC (9) Cl.** **21-01**

(52) **U.S. Cl.** **D21/515**

(58) **Field of Classification Search** D21/324,
D21/329, 330, 333, 483, 515; D3/276, 282,
D3/294; D6/406.3, 406.4, 406.6; D14/138,
D14/315, 316, 318, 320, 322-324, 326, 327,
D14/328, 335, 345; D19/59, 60; 206/576;
345/168, 169, 903; 434/118, 308, 339, 365
See application file for complete search history.

(56) **References Cited**

U.S. PATENT DOCUMENTS

D328,289 S *	7/1992	Wu	D14/320
D336,077 S *	6/1993	Barry et al.	D14/316
D356,781 S *	3/1995	Poon	D14/318
D374,662 S *	10/1996	Soderburg	D14/335
D380,231 S *	6/1997	Chow	D19/60
D385,276 S *	10/1997	Griggs	D19/60
D387,383 S *	12/1997	Chan	D19/60
D395,288 S *	6/1998	Soderburg	D14/326
D414,817 S *	10/1999	Smith	D21/324
D423,051 S *	4/2000	Chan	D19/60
D425,032 S *	5/2000	Farrell et al.	D14/323
D439,897 S *	4/2001	Williams et al.	D14/345
D449,164 S *	10/2001	Rosen	D3/282
D475,707 S *	6/2003	Zuege et al.	D21/515

D494,220 S *	8/2004	Yu	D19/60
D506,611 S *	6/2005	Hiller et al.	D3/294
D514,316 S *	2/2006	Allan et al.	D3/282
D541,270 S *	4/2007	Sassano et al.	D14/315
D546,895 S *	7/2007	Chan	D21/330

* cited by examiner

Primary Examiner—Cynthia M Chin

(74) *Attorney, Agent, or Firm*—Pryor Cashman LLP; Andrew S. Langsam

(57) **CLAIM**

I claim the ornamental design for a combined laptop and desk for a child, as shown and described.

DESCRIPTION

FIG. 1 is a perspective view of the present invention, a partially opened combined laptop and desk for a child;

FIG. 2 is a perspective and fully opened view of the present invention;

FIG. 3 is a left side view of the present invention with the laptop in its closed position; the right side being a mirror image thereof;

FIG. 4 is a left side and perspective view of the present invention in its closed position.

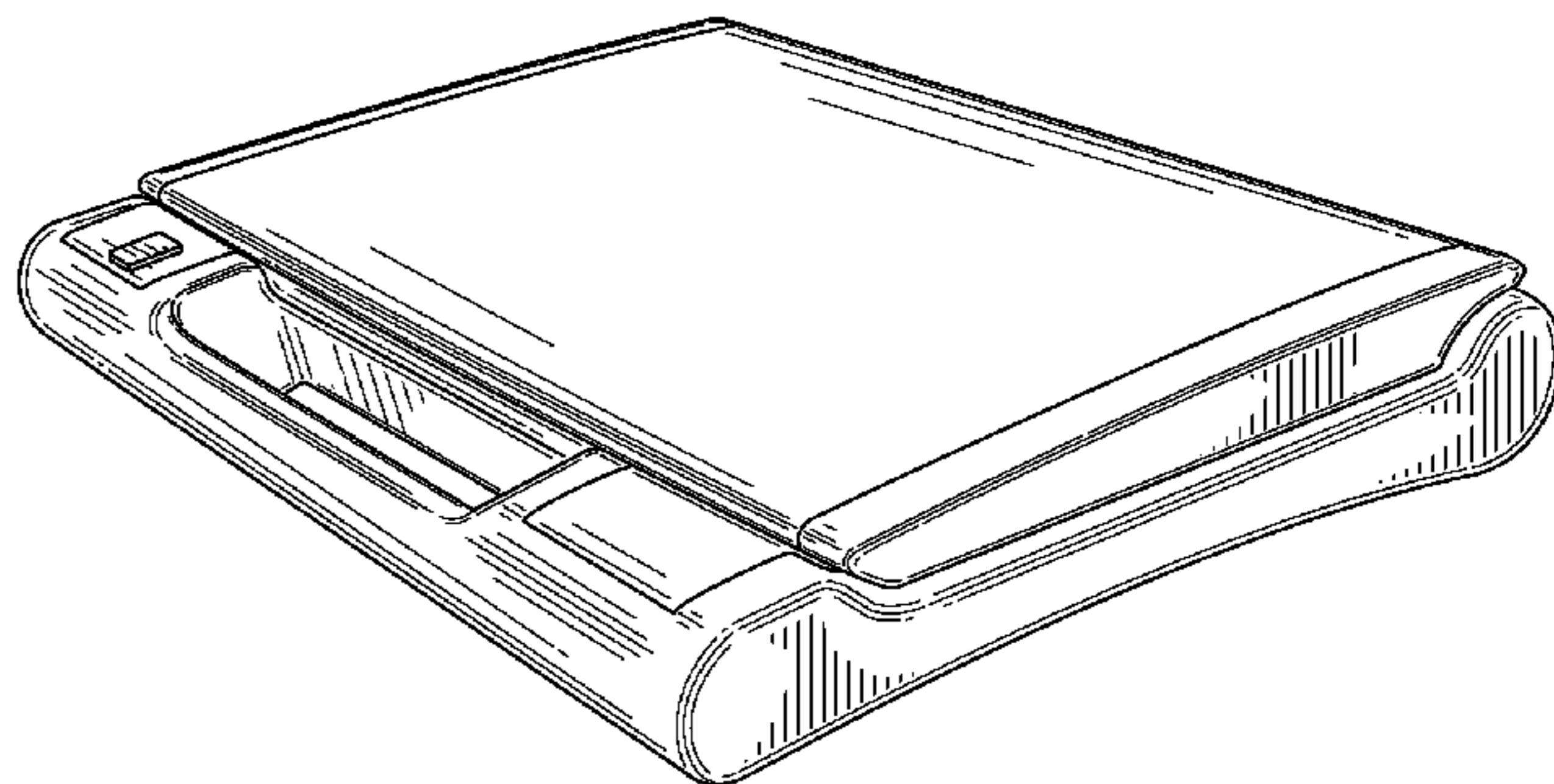
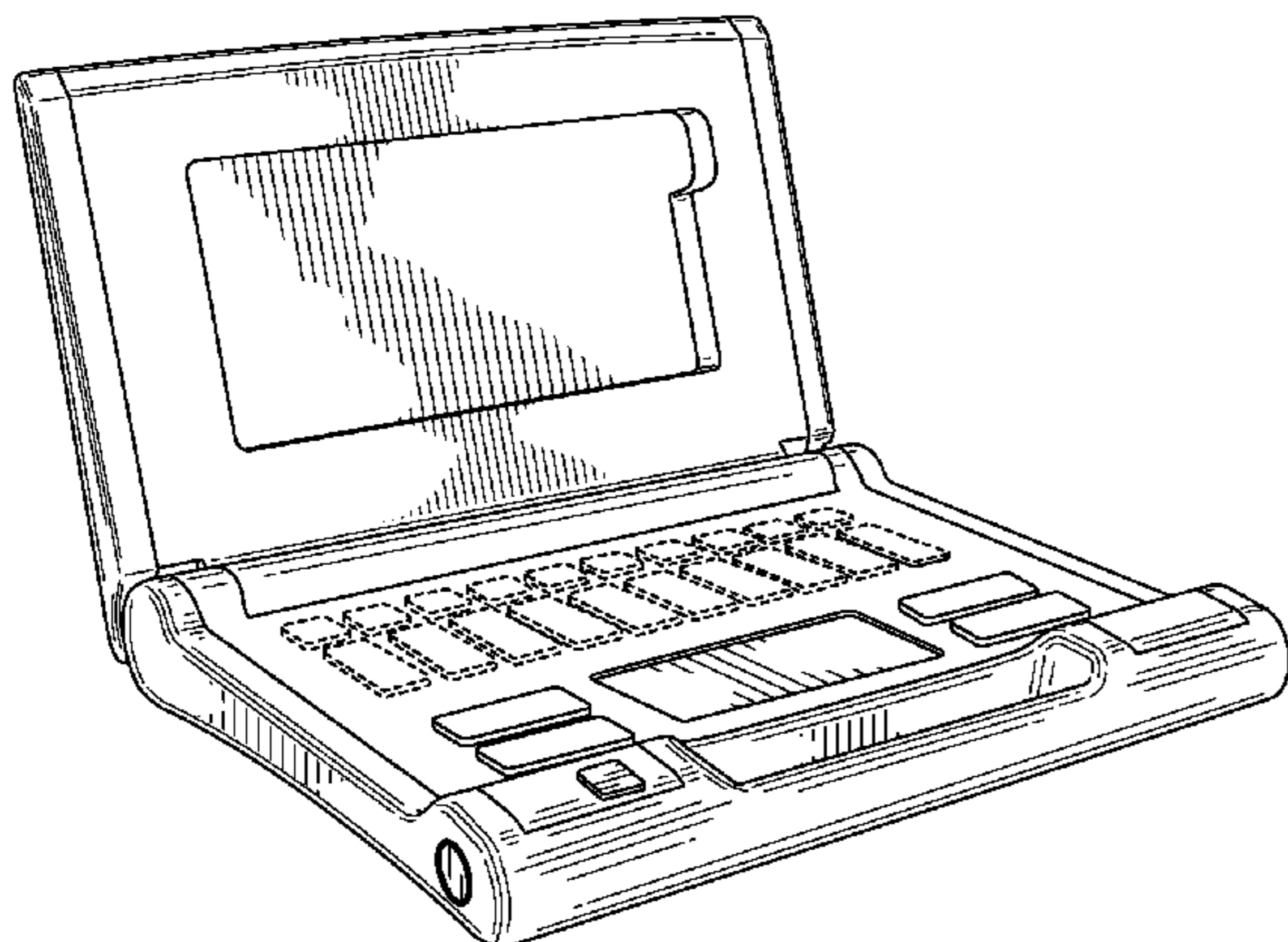
FIG. 5 is a front, perspective view of the present invention in its closed position.

FIG. 6 is right side and perspective view of the present invention in its closed position; and,

FIG. 7 is a top plan view of the present invention in its closed position.

The broken lines represent portions of the design that form no part of the claim.

1 Claim, 7 Drawing Sheets



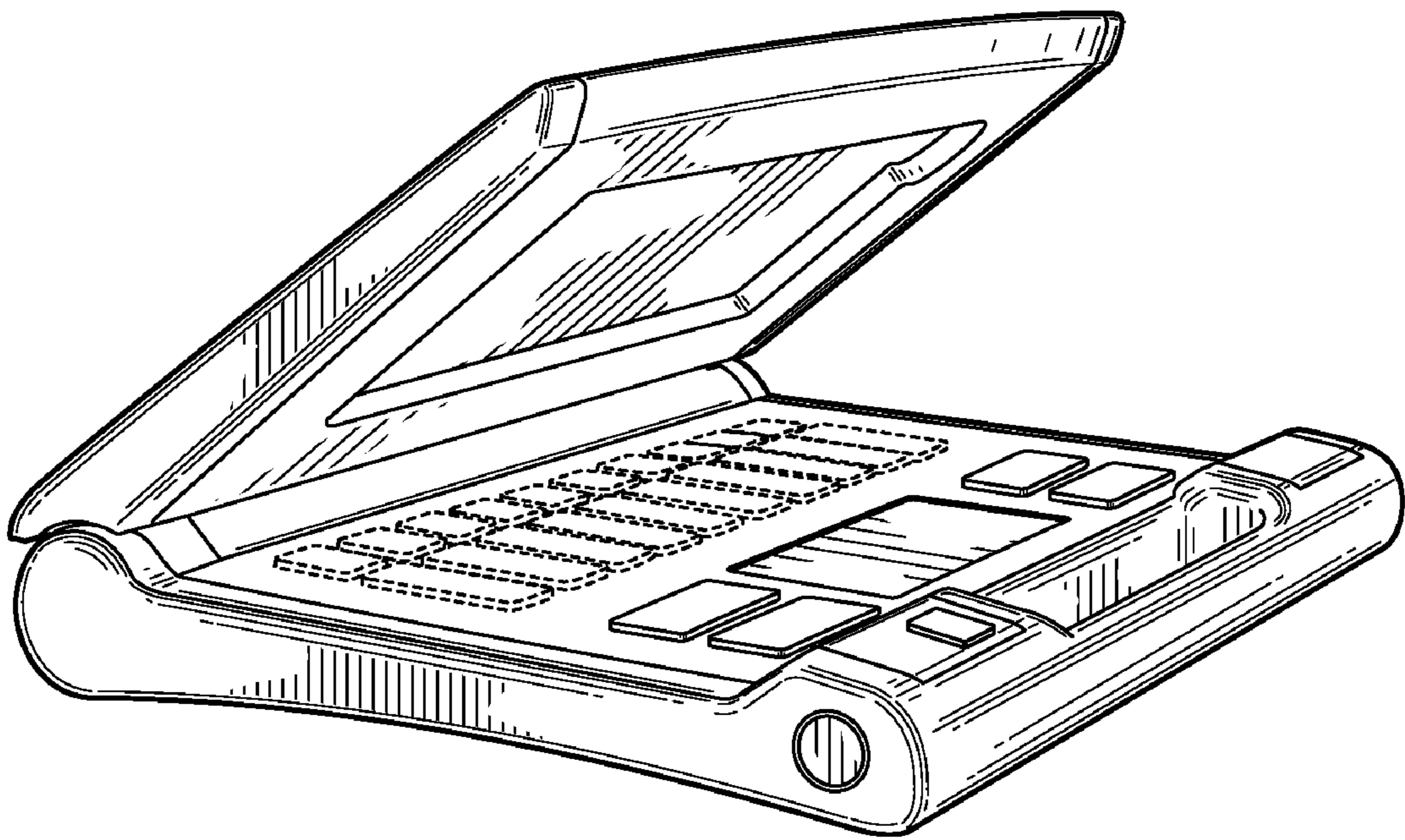


FIG. 1

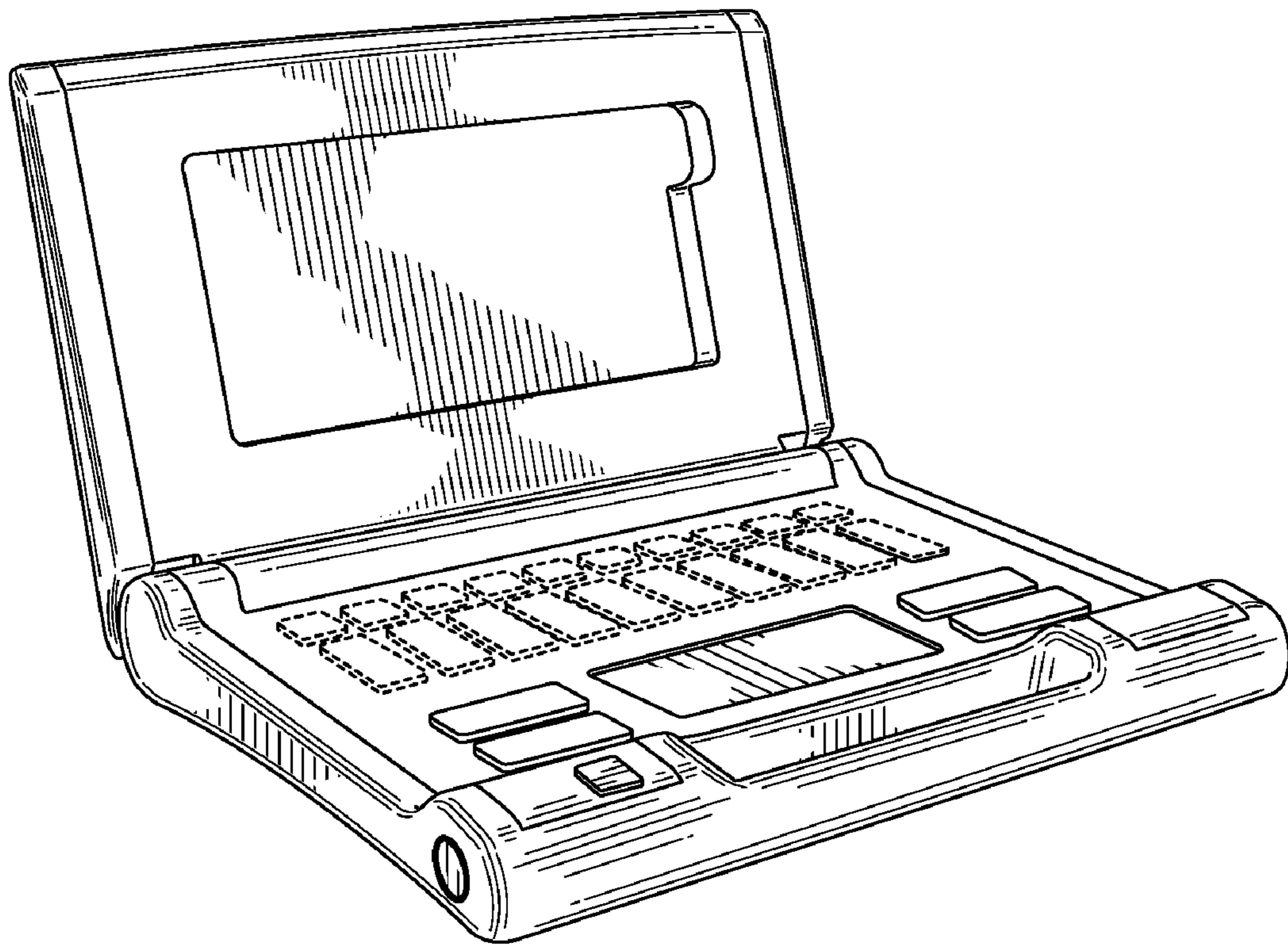


FIG. 2

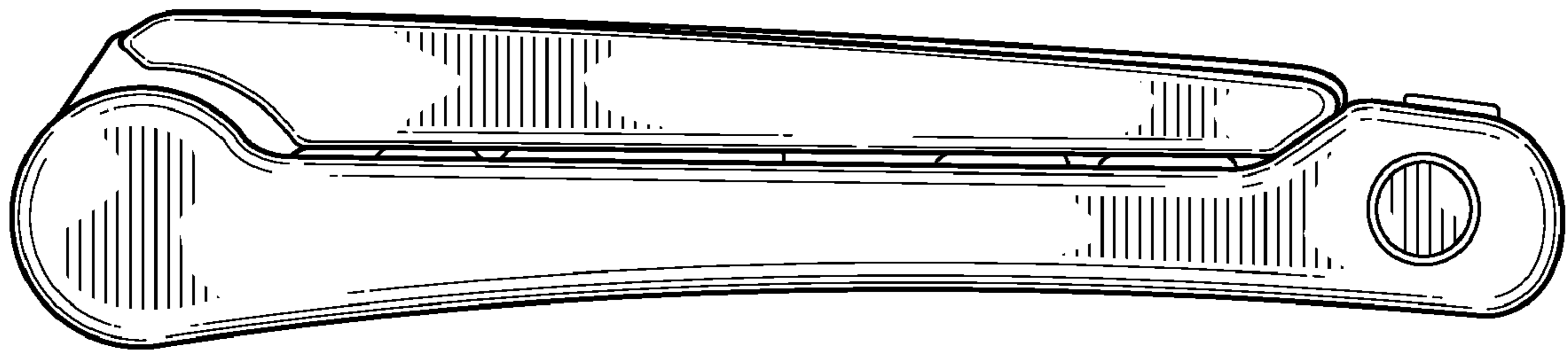


FIG. 3

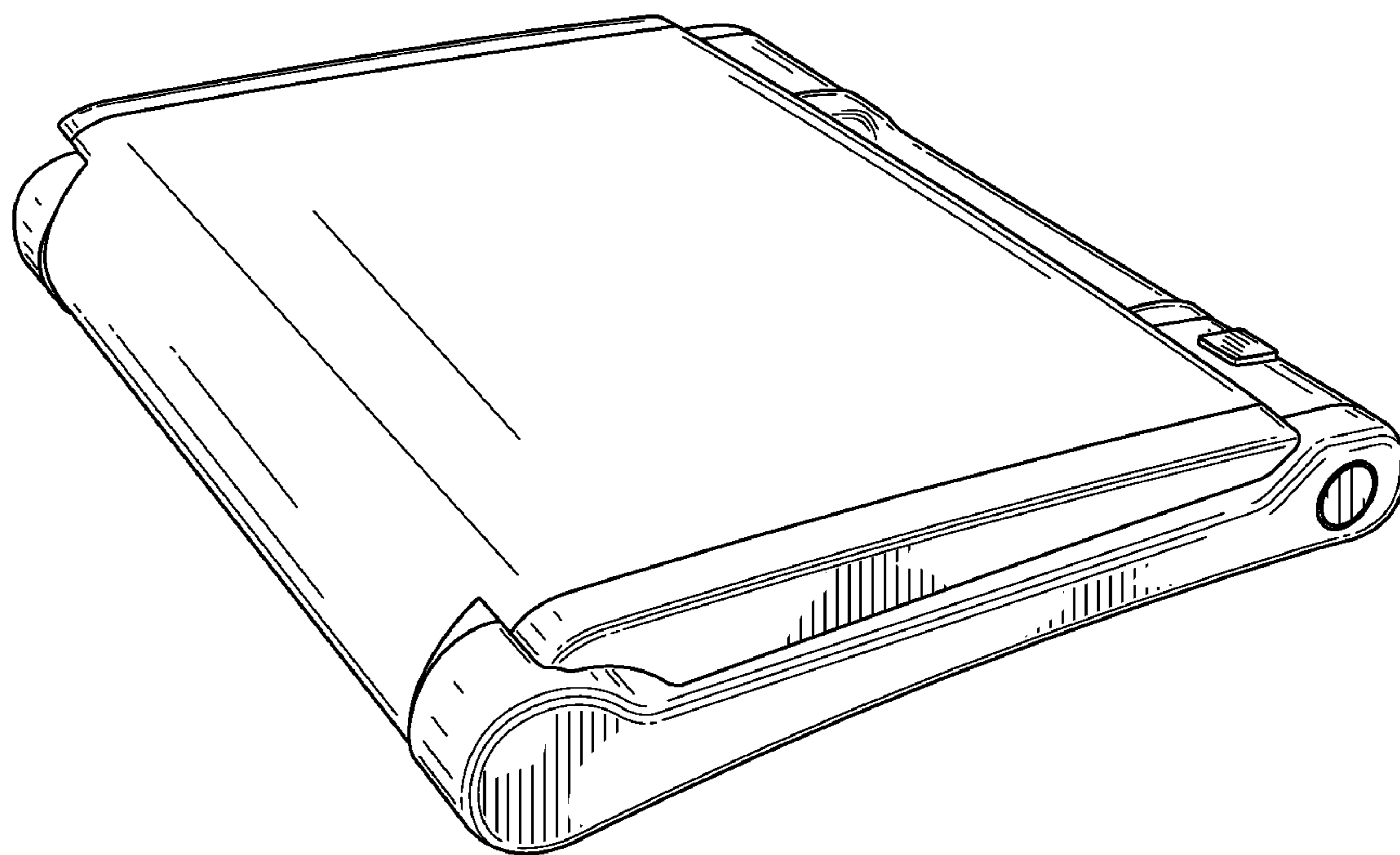


FIG. 4

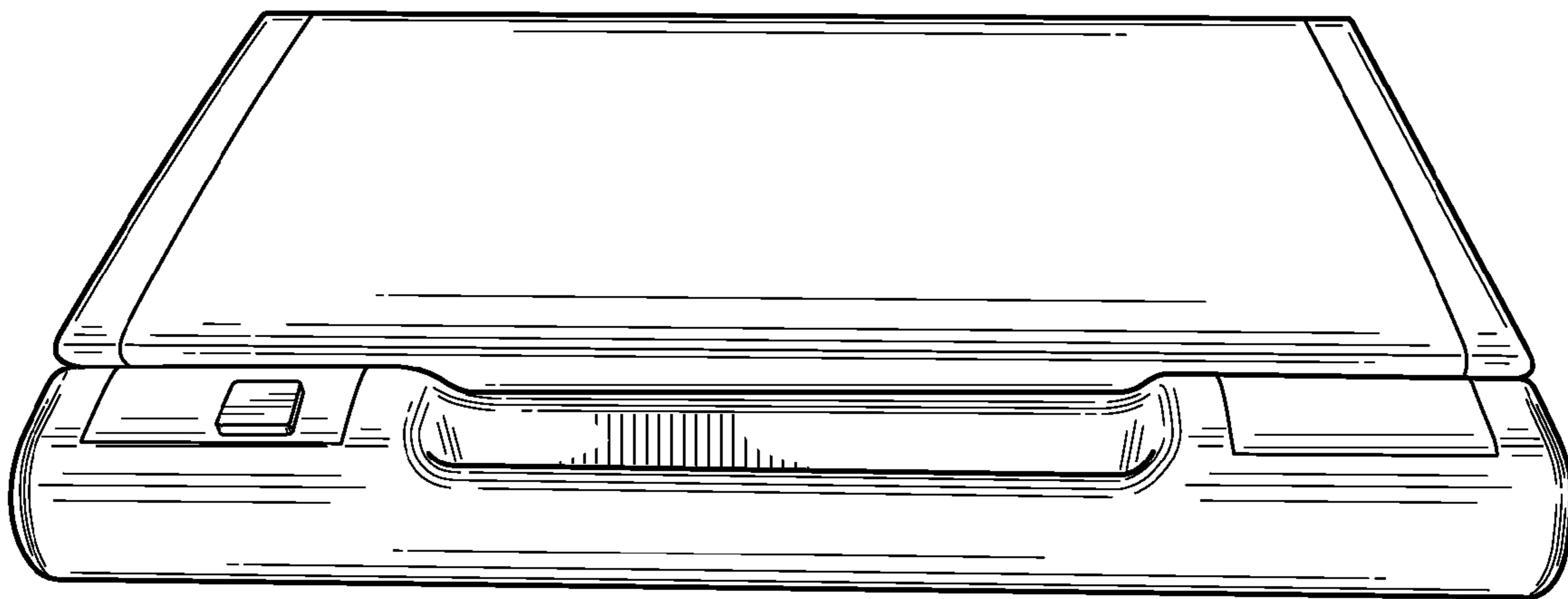


FIG. 5

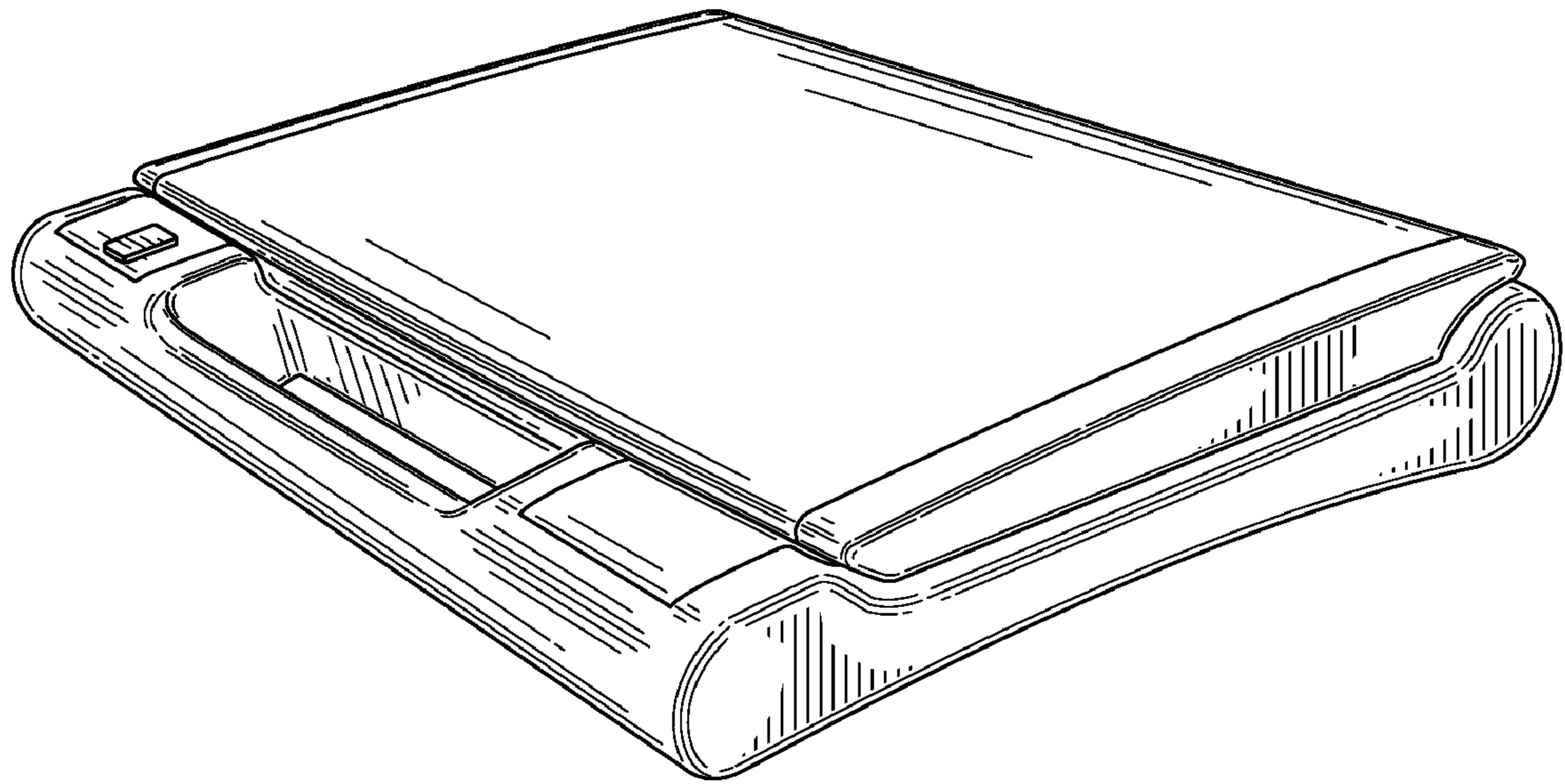


FIG. 6

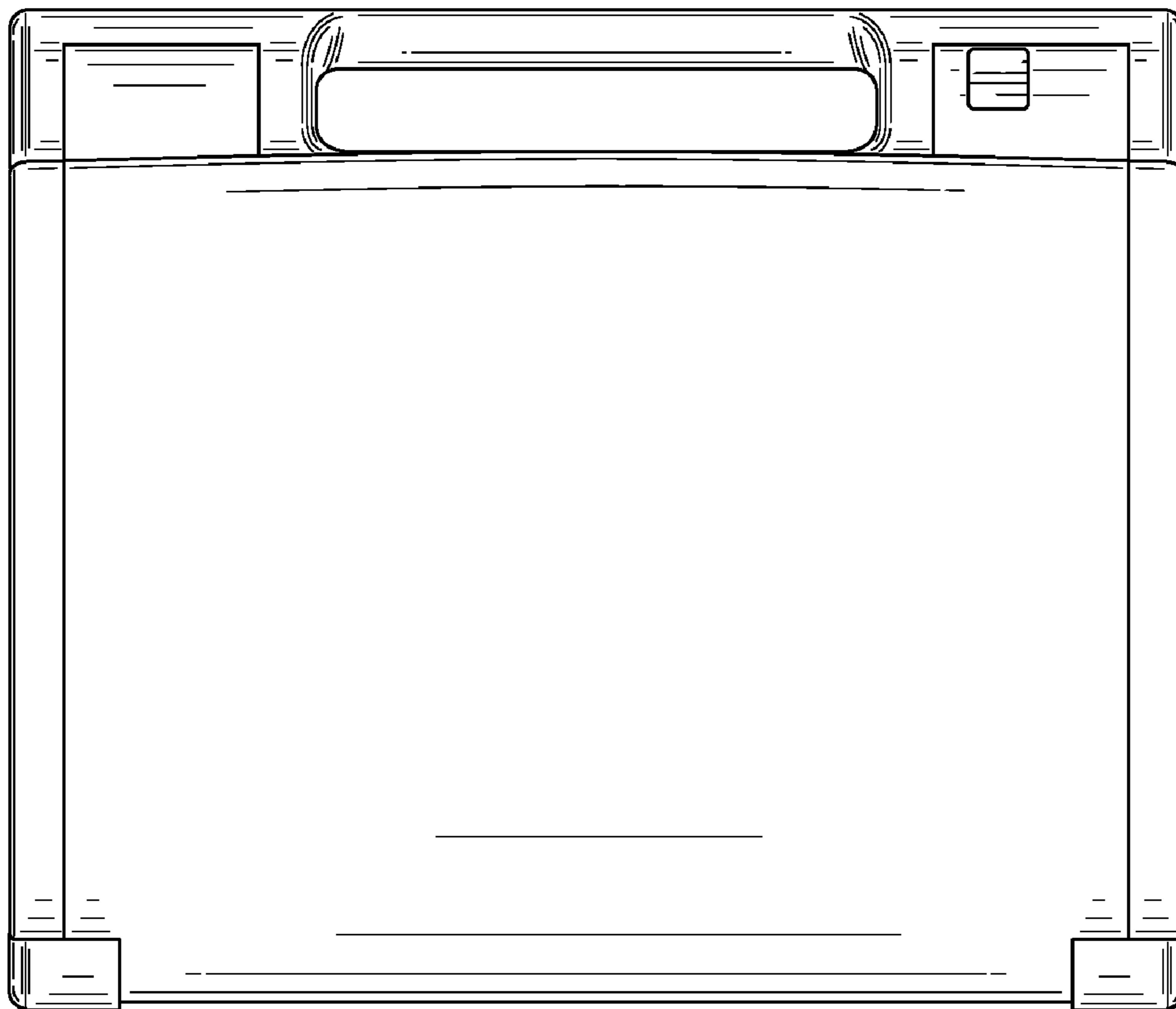


FIG. 7