

US00D620989S

(12) **United States Design Patent**
Ryaa

(10) **Patent No.:** **US D620,989 S**
(45) **Date of Patent:** **** Aug. 3, 2010**

(54) **TOY BUILDING SET ELEMENT**

(75) Inventor: **Jan Ryaa**, Billund (DK)

(73) Assignee: **Lego A/S**, Billund (DK)

(**) Term: **14 Years**

(21) Appl. No.: **29/315,119**

(22) Filed: **May 27, 2009**

(30) **Foreign Application Priority Data**

Nov. 28, 2008 (EM) 001050645

(51) **LOC (9) Cl.** **21-01**

(52) **U.S. Cl.** **D21/501; D21/504**

(58) **Field of Classification Search** D21/484,
D21/485, 486, 489-495, 499, 500-505; 446/69,
446/85, 102-128; 434/208, 259, 403; 273/153,
273/156, 160; D6/300

See application file for complete search history.

(56) **References Cited**

U.S. PATENT DOCUMENTS

3,534,494 A * 10/1970 Takamichi 446/102
D285,705 S * 9/1986 Dideriksen D21/505
D290,628 S * 6/1987 Dideriksen D21/489
D318,077 S * 7/1991 Larsen et al. D21/505

D328,930 S * 8/1992 Jarnros D21/504
D350,787 S * 9/1994 Hojlund et al. D21/501
D351,005 S * 9/1994 Hojlund et al. D21/501
D360,658 S * 7/1995 Voldmester et al. D21/501
D362,474 S * 9/1995 Voldmester et al. D21/501

* cited by examiner

Primary Examiner—Cynthia M Chin

(74) *Attorney, Agent, or Firm*—Day Pitney, LLP

(57) **CLAIM**

The ornamental design for a toy building set element, as shown and described.

DESCRIPTION

FIG. 1 is a top perspective view of my design for a toy building set element;

FIG. 2 is a bottom perspective view thereof;

FIG. 3 is a front view thereof, the rear view being a mirror image thereof;

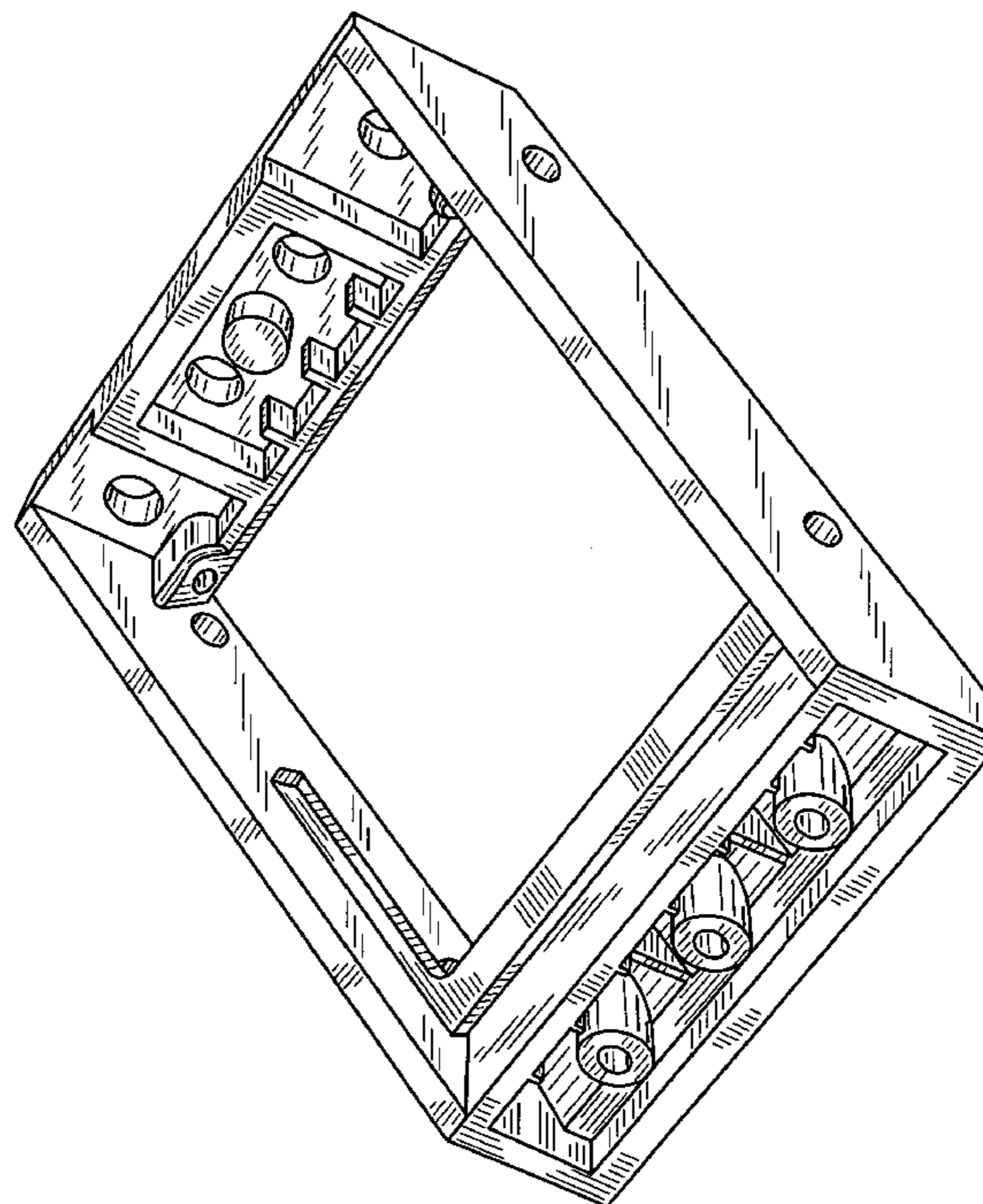
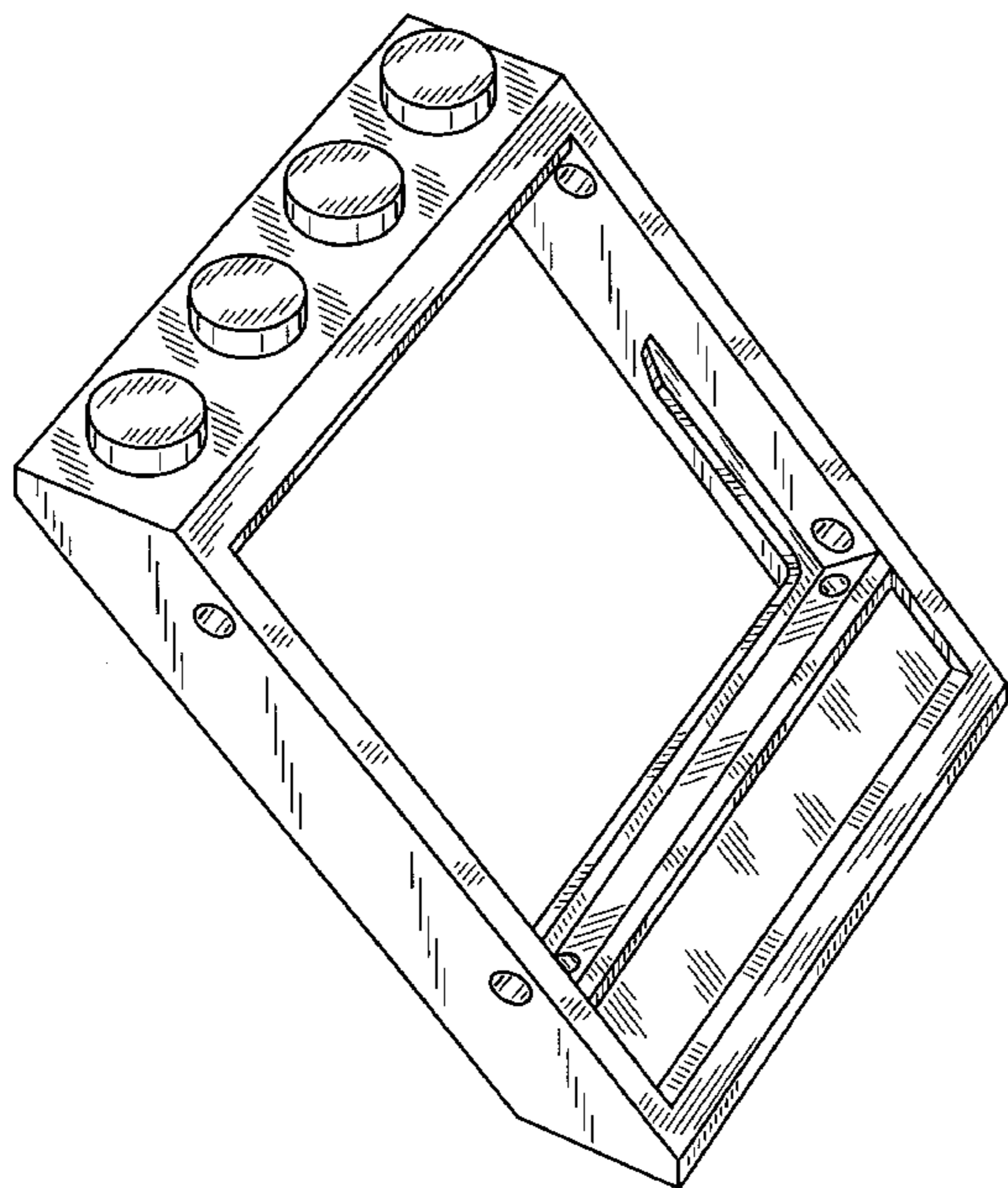
FIG. 4 is a right side view thereof;

FIG. 5 is a left side view thereof;

FIG. 6 is a top plan view thereof; and,

FIG. 7 is a bottom plan view thereof.

1 Claim, 7 Drawing Sheets



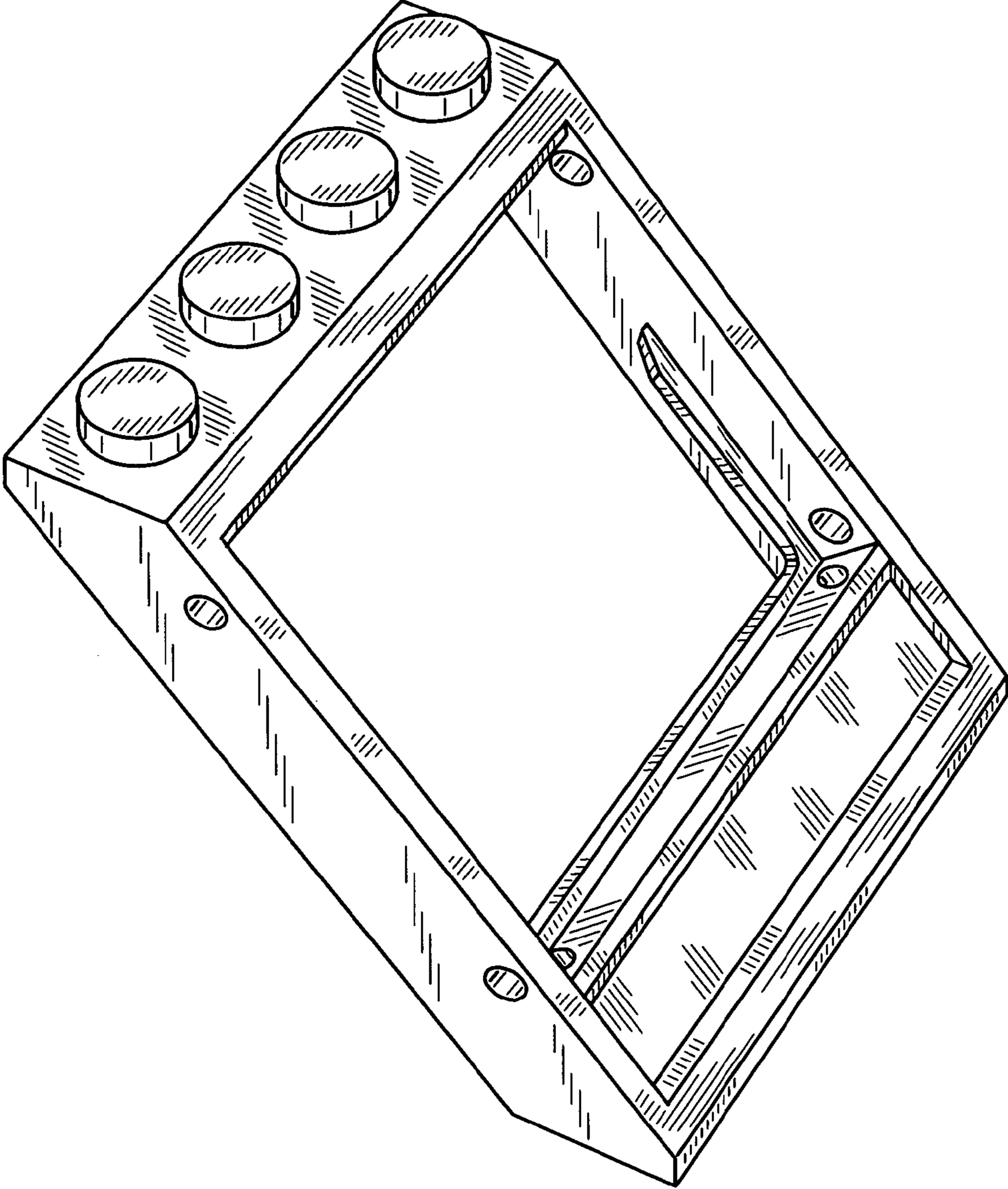


FIG. 1

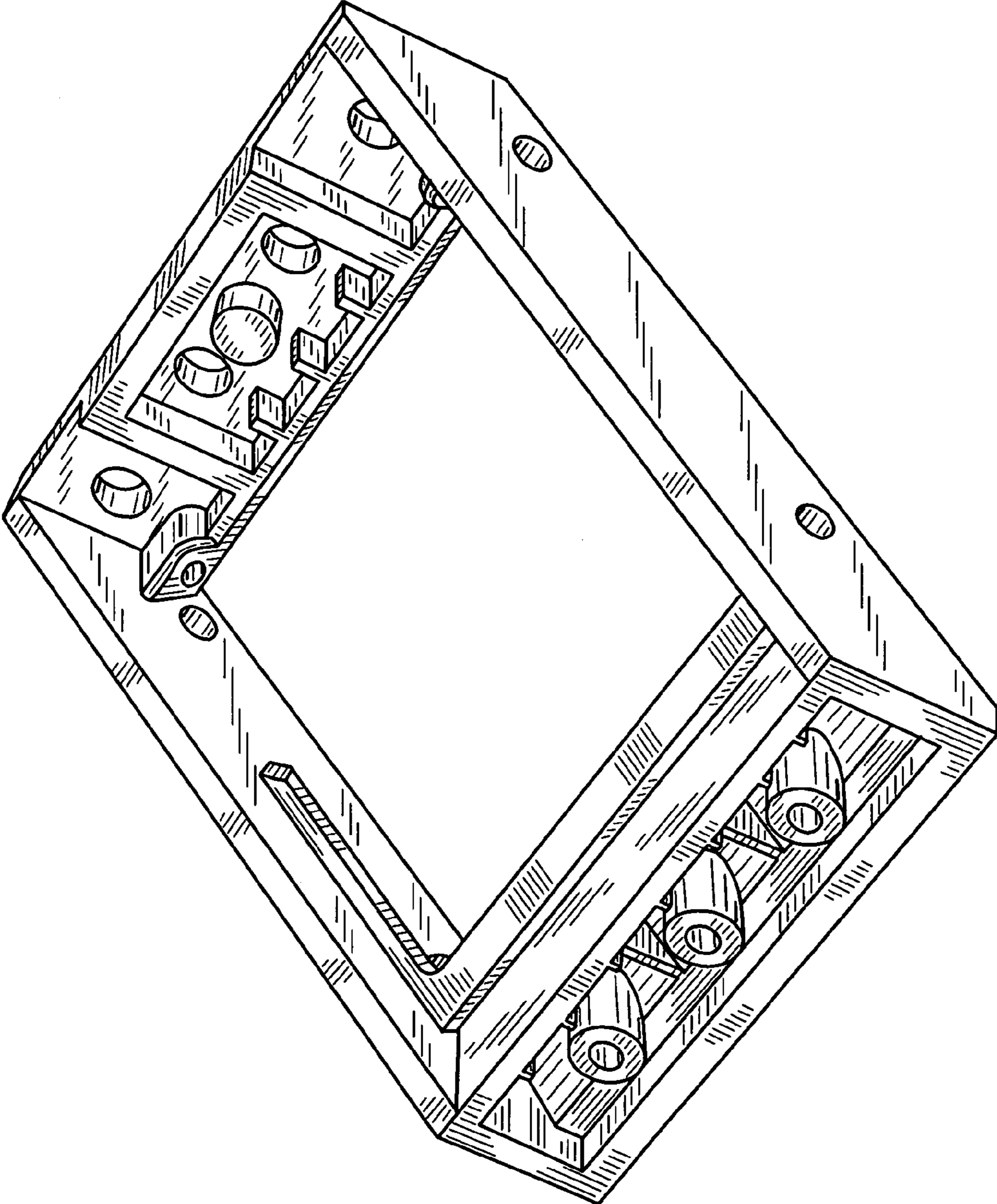


FIG. 2

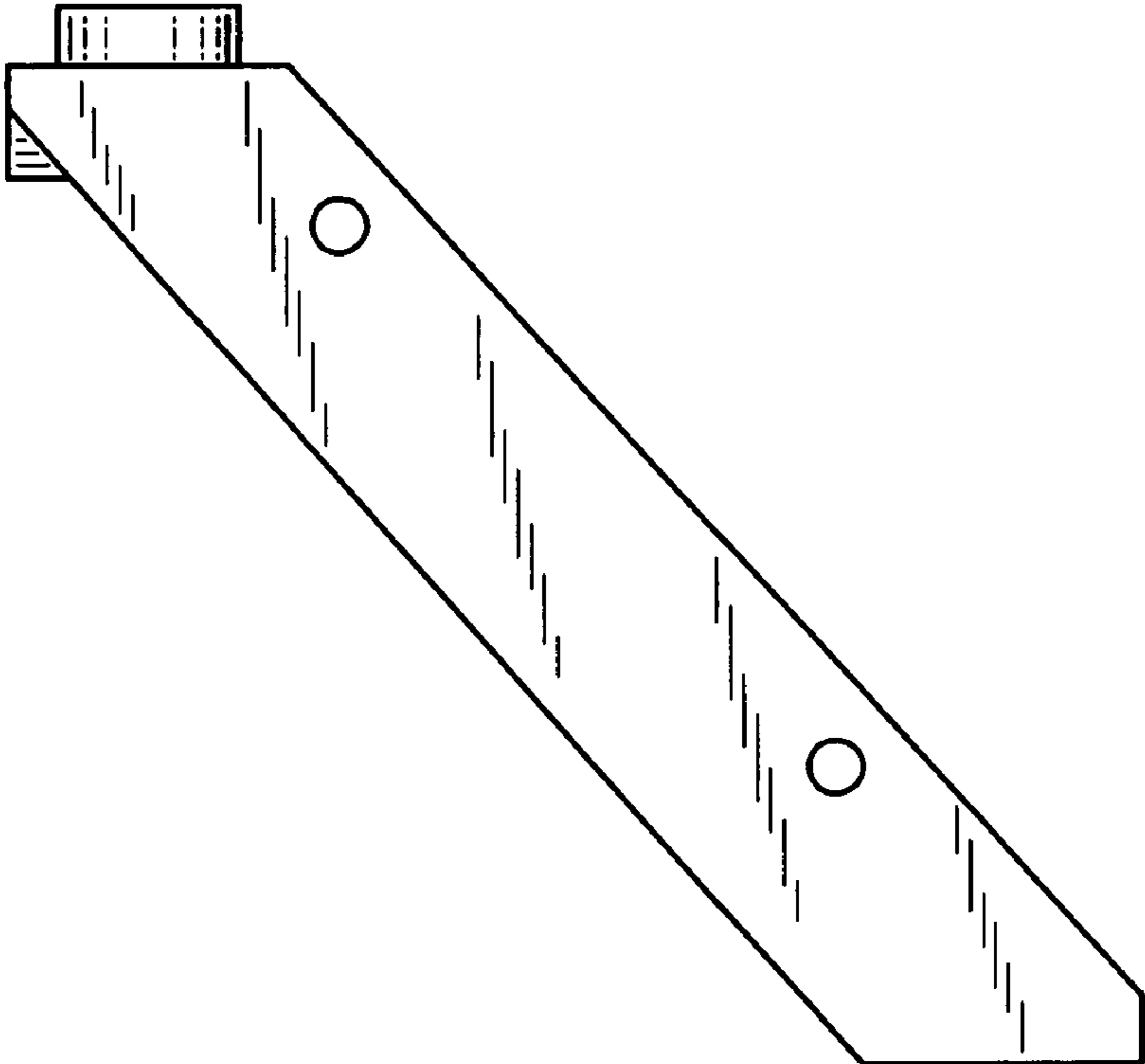


FIG. 3

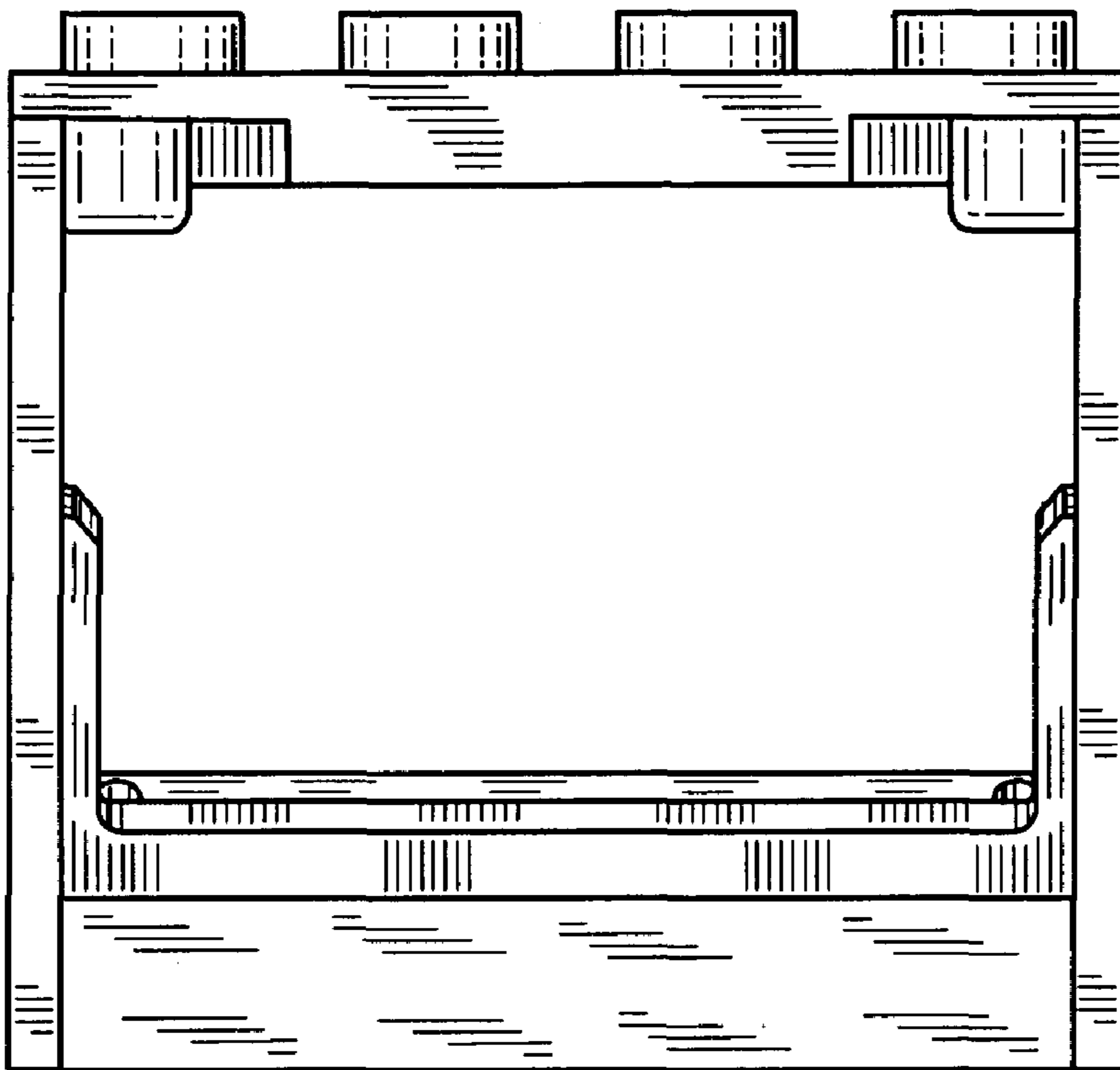


FIG. 4

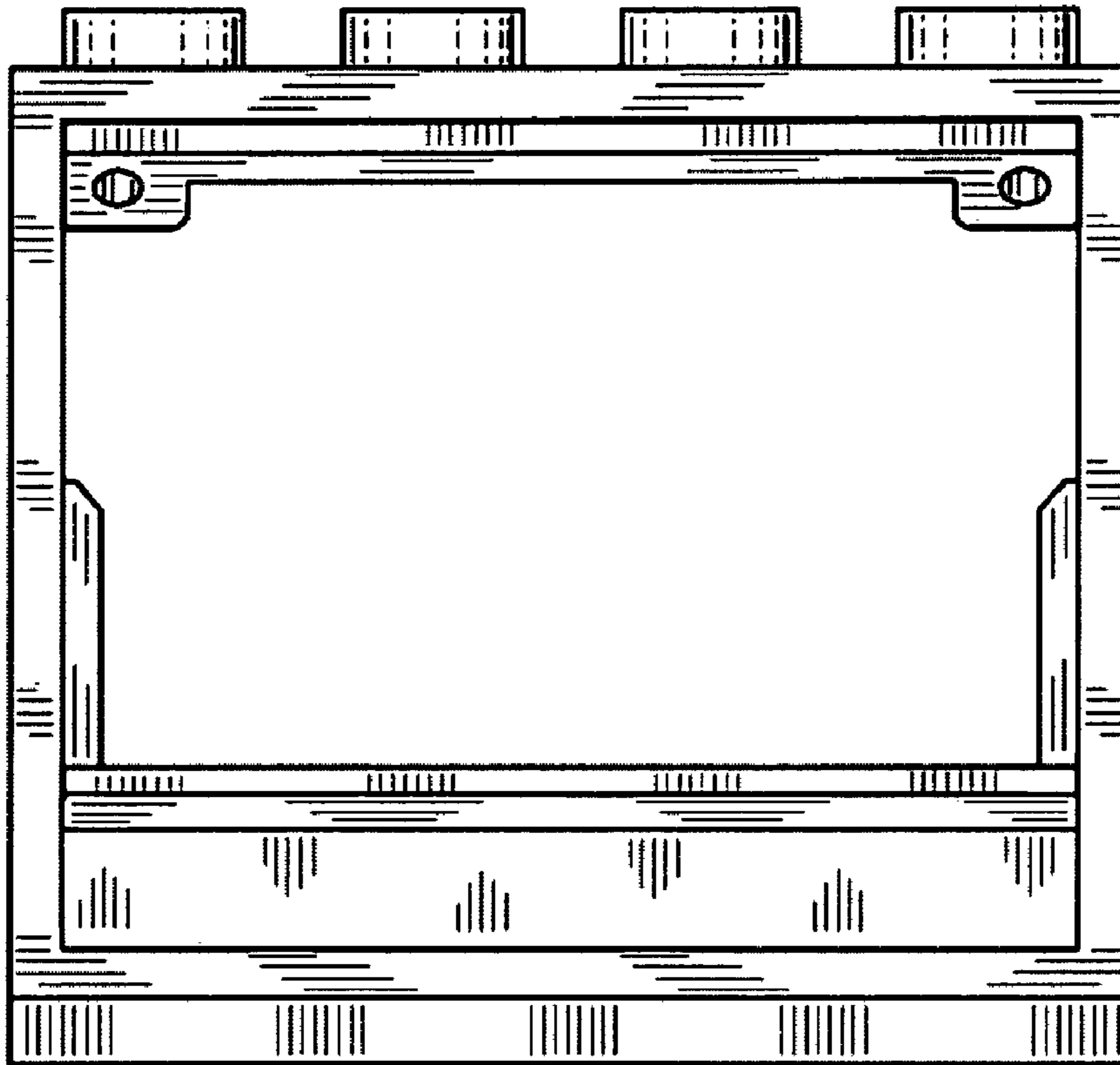


FIG. 5

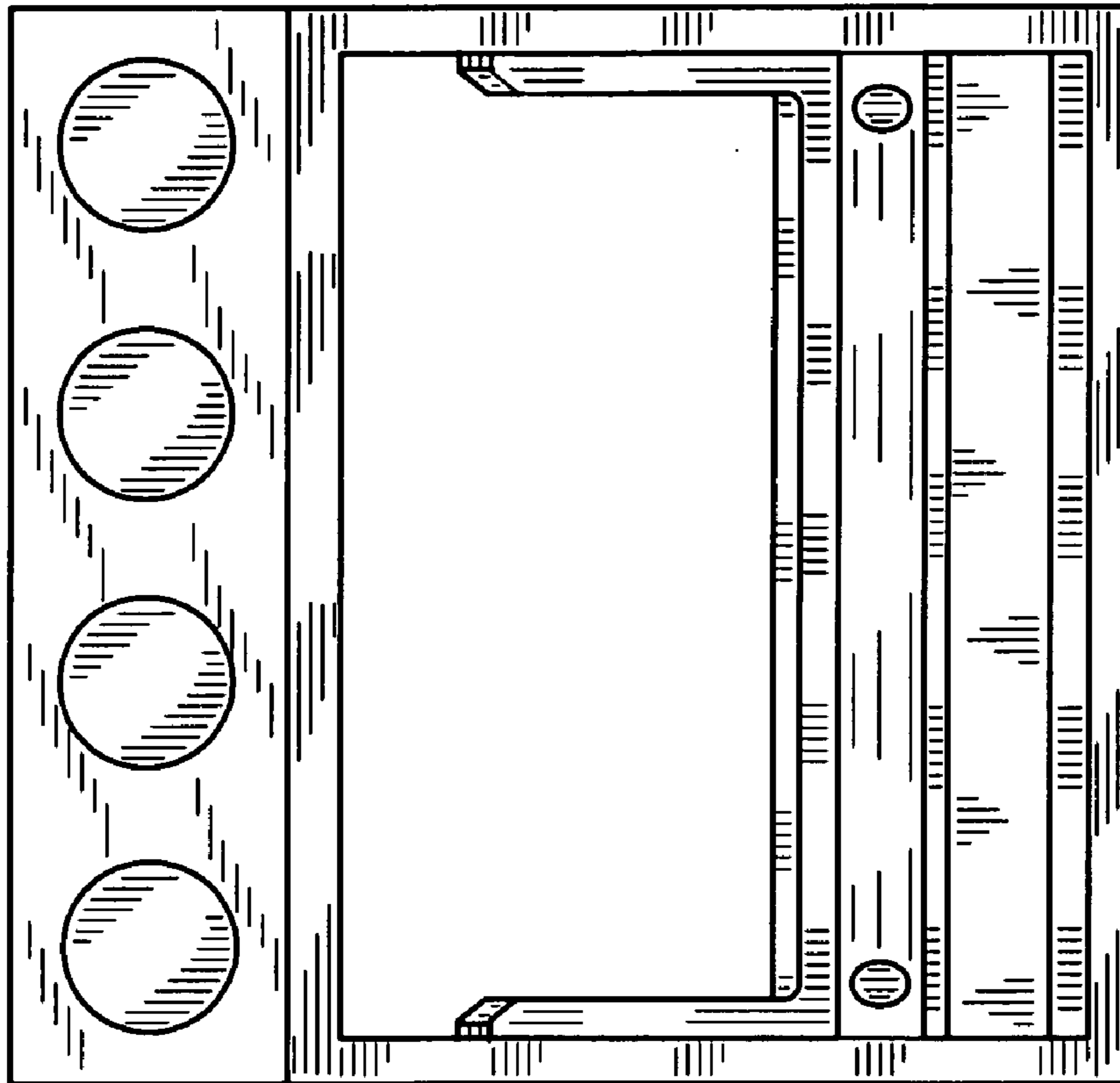


FIG. 6

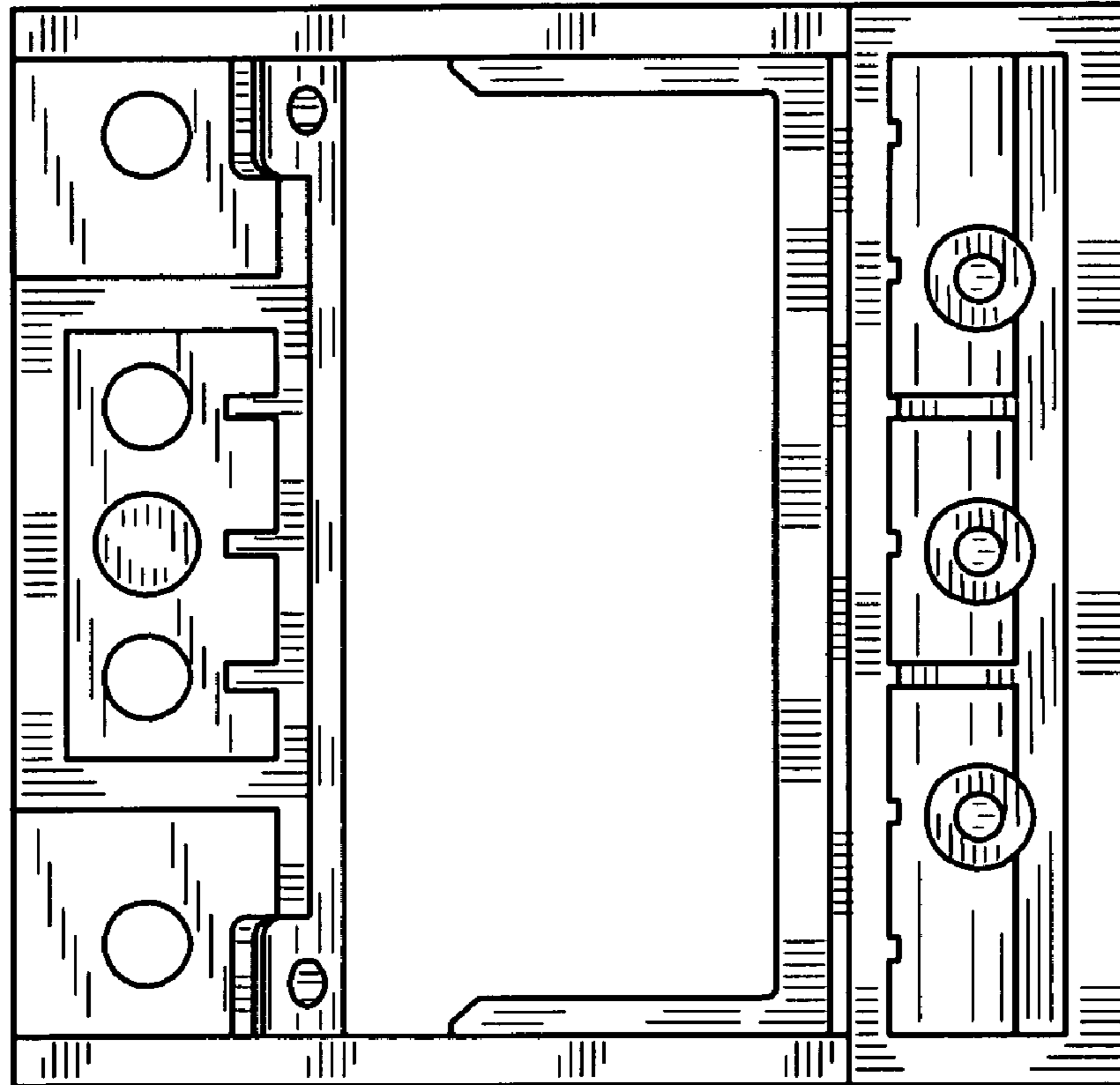


FIG. 7