



US00D620981S

(12) **United States Design Patent**  
**Stürken**

(10) **Patent No.:** **US D620,981 S**

(45) **Date of Patent:** **\*\* Aug. 3, 2010**

(54) **PEN LOOP**

(75) Inventor: **Axel Stürken**, Hamburg (DE)

(73) Assignee: **Leuchtturm Albenverlag GmbH & Co. KG**, Geesthacht (DE)

(\*\*) Term: **14 Years**

(21) Appl. No.: **29/336,074**

(22) Filed: **Apr. 28, 2009**

(51) **LOC (9) Cl.** ..... **19-06**

(52) **U.S. Cl.** ..... **D19/81**

(58) **Field of Classification Search** ..... D3/206,  
D3/215; D19/75, 77-86, 90-95; 24/11 CC,  
24/11 CT, 11 F, 11 P, 11 R, 3.7; 206/214,  
206/249, 371, 460, 461

See application file for complete search history.

(56) **References Cited**

**U.S. PATENT DOCUMENTS**

155,196	A *	9/1874	McNair	.....	281/42
637,889	A *	11/1899	Parker	.....	281/30
1,226,992	A *	5/1917	Paulus	.....	24/1
1,346,393	A *	7/1920	Woodhouse	.....	281/30
D57,831	S *	5/1921	Frederick	.....	D6/553
1,475,782	A *	11/1923	Beach	.....	40/1.5
2,300,216	A *	10/1942	Grodsky et al.	.....	116/237
D165,156	S *	11/1951	Kandarian	.....	D19/83
D169,525	S *	5/1953	Whiting	.....	D21/394
2,867,363	A *	1/1959	Knemmerling	.....	206/349
3,263,948	A *	8/1966	Winthrop	.....	248/74.3
3,430,300	A *	3/1969	Doan	.....	24/304
D228,239	S *	8/1973	Bryce	.....	D19/83
4,173,358	A *	11/1979	Wilson	.....	281/45
4,199,884	A *	4/1980	Loof	.....	40/316
4,984,529	A *	1/1991	Dickson	.....	116/234
D321,913	S *	11/1991	Wolff	.....	D20/27
5,477,619	A *	12/1995	Kearns	.....	33/668
5,484,056	A *	1/1996	Wood	.....	206/349
5,498,089	A *	3/1996	Motyka	.....	402/4
5,572,941	A *	11/1996	Arnos	.....	112/475.06
5,722,575	A *	3/1998	Smith	.....	224/217

5,743,414	A *	4/1998	Baudino	.....	211/69.1
5,813,786	A *	9/1998	Fraenkel	.....	401/195
D408,855	S *	4/1999	Ho	.....	D19/52
D410,951	S *	6/1999	Schwarzwaelder	.....	D19/36
6,187,126	B1 *	2/2001	Rothrum et al.	.....	156/200
D479,477	S *	9/2003	Pereczon	.....	D10/74
7,270,308	B1 *	9/2007	Mohr	.....	248/309.1
D573,652	S *	7/2008	Esfahani	.....	D19/81
D603,904	S *	11/2009	Esfahani	.....	D19/81
2002/0036253	A1 *	3/2002	Lake	.....	248/205.3
2005/0274641	A1 *	12/2005	Baranoff	.....	206/461

**OTHER PUBLICATIONS**

Leuchtturm 1917 Self Adhesive Pen Pencil Loop Notebook Accessory, ebay item 220527047453, 4 pages, Copyright 2010, by Revdesign, on ebay.com.\*

\* cited by examiner

*Primary Examiner*—Elizabeth A Albert

(74) *Attorney, Agent, or Firm*—Berenato & White, LLC

(57) **CLAIM**

The ornamental design for a pen loop, as shown and described.

**DESCRIPTION**

FIG. 1 is a front perspective view of my design;

FIG. 2 is a right side elevational view;

FIG. 3 is a left side elevational view;

FIG. 4 is a front elevational view;

FIG. 5 is a rear elevational view;

FIG. 6 is a top plan view;

FIG. 7 is a bottom plan view; and,

FIG. 8 is a bottom plan view. The broken lines showing a pen in FIG. 8 are included for the purpose of illustrating environmental matter and form no part of the claimed design.

The broken lines on the edges of the pen loop in FIGS. 1 and 4 to 8 represent stitching and form a part of the claimed design.

**1 Claim, 5 Drawing Sheets**

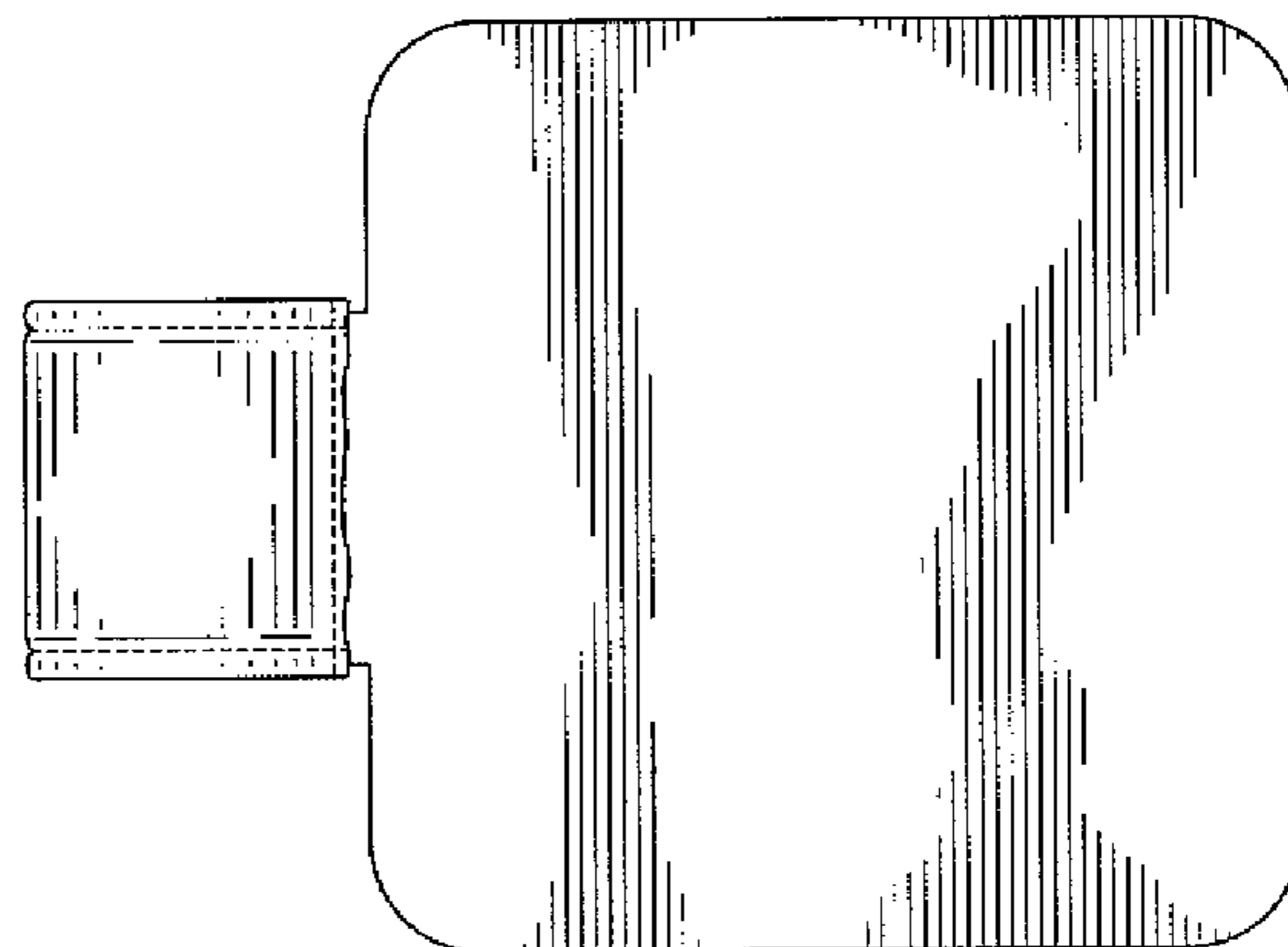
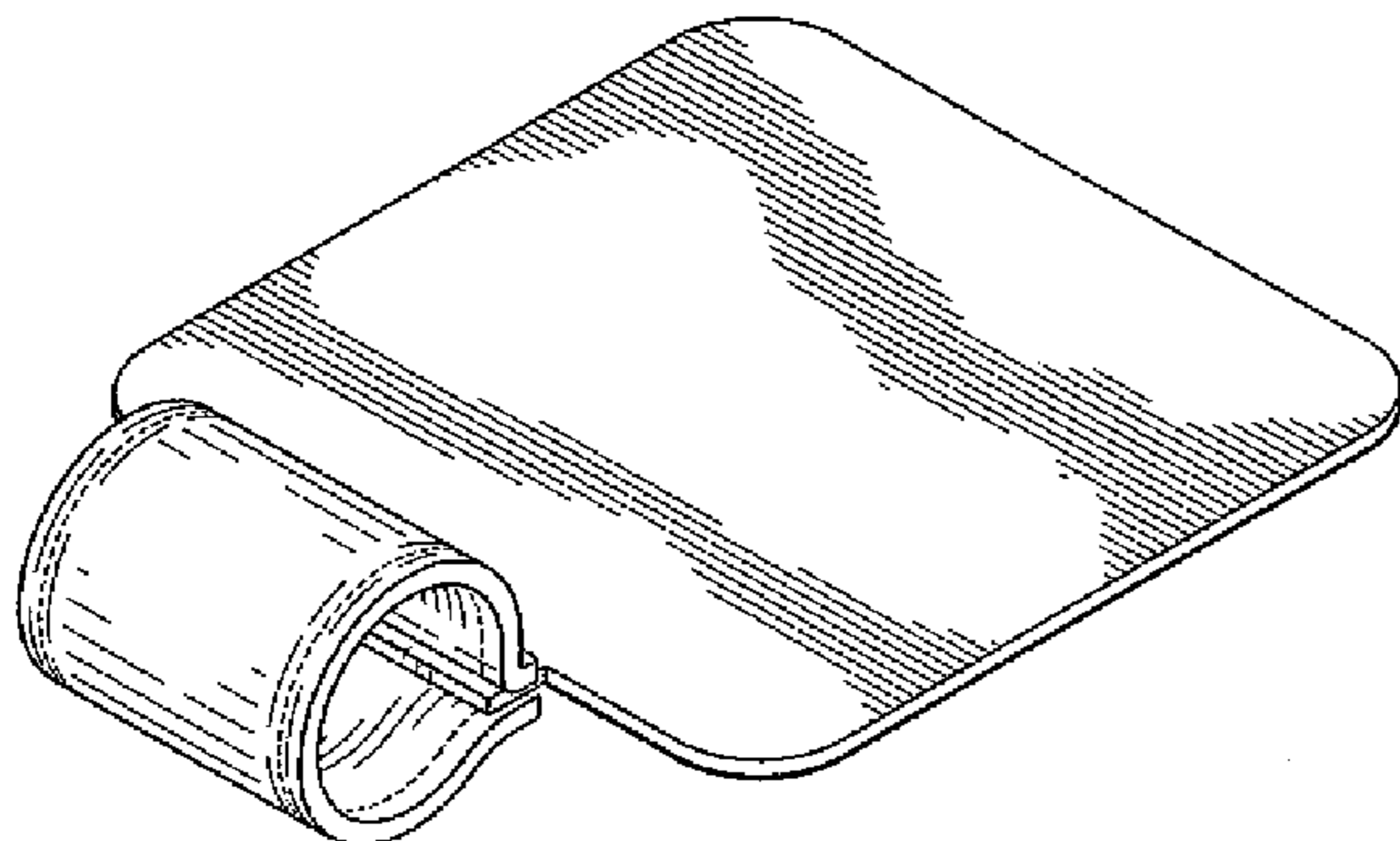


Fig. 1

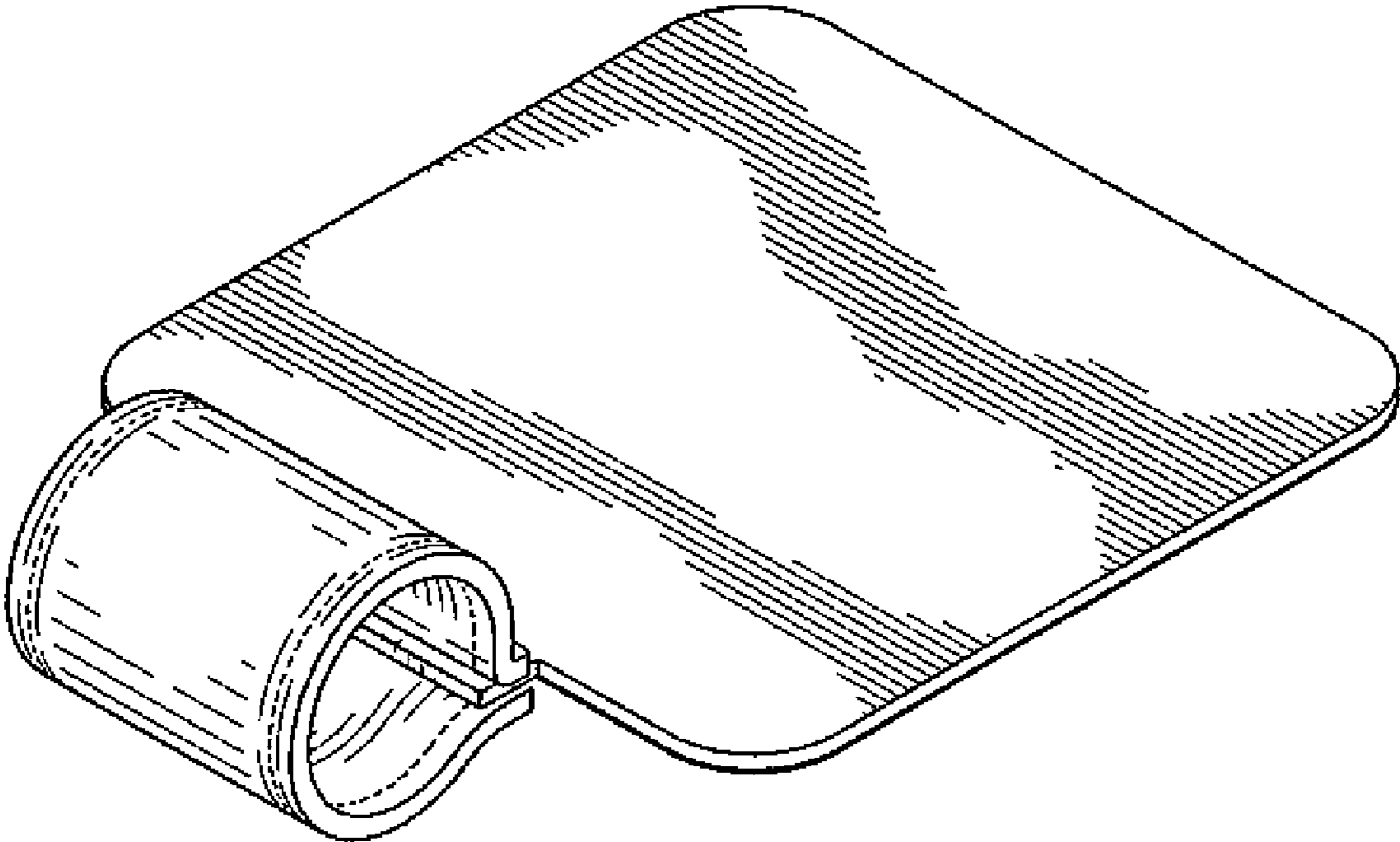


Fig. 2

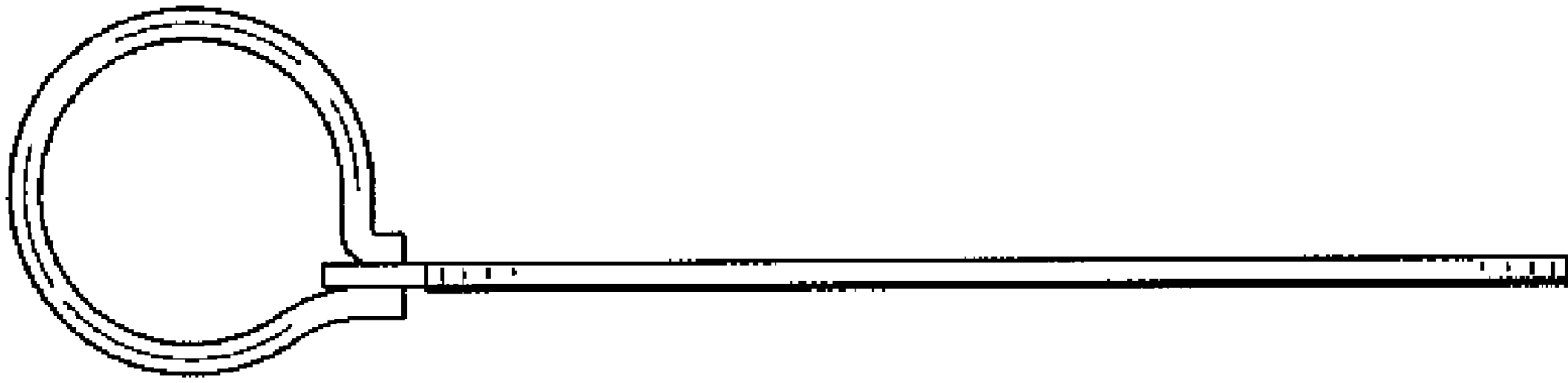


Fig. 3

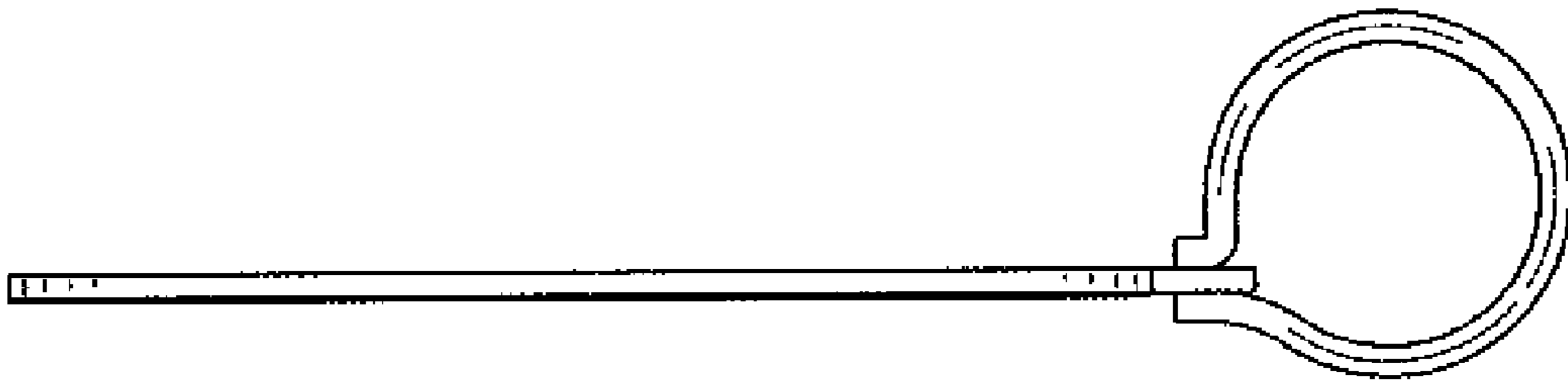


Fig. 4

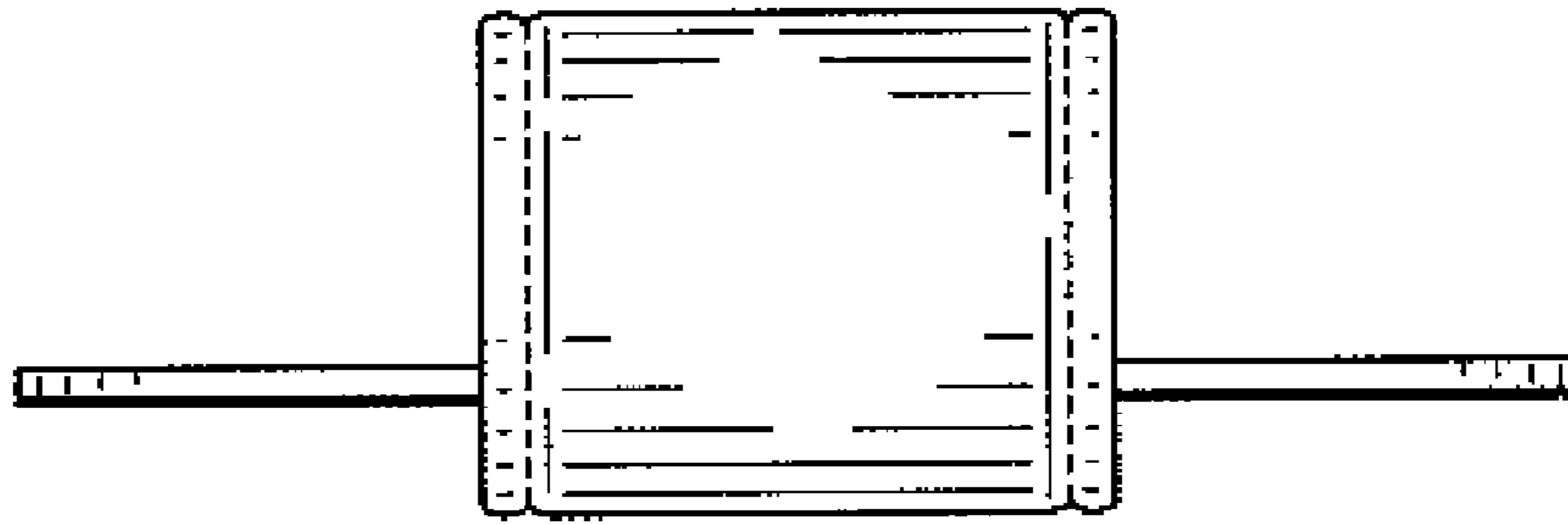


Fig. 5



Fig. 6

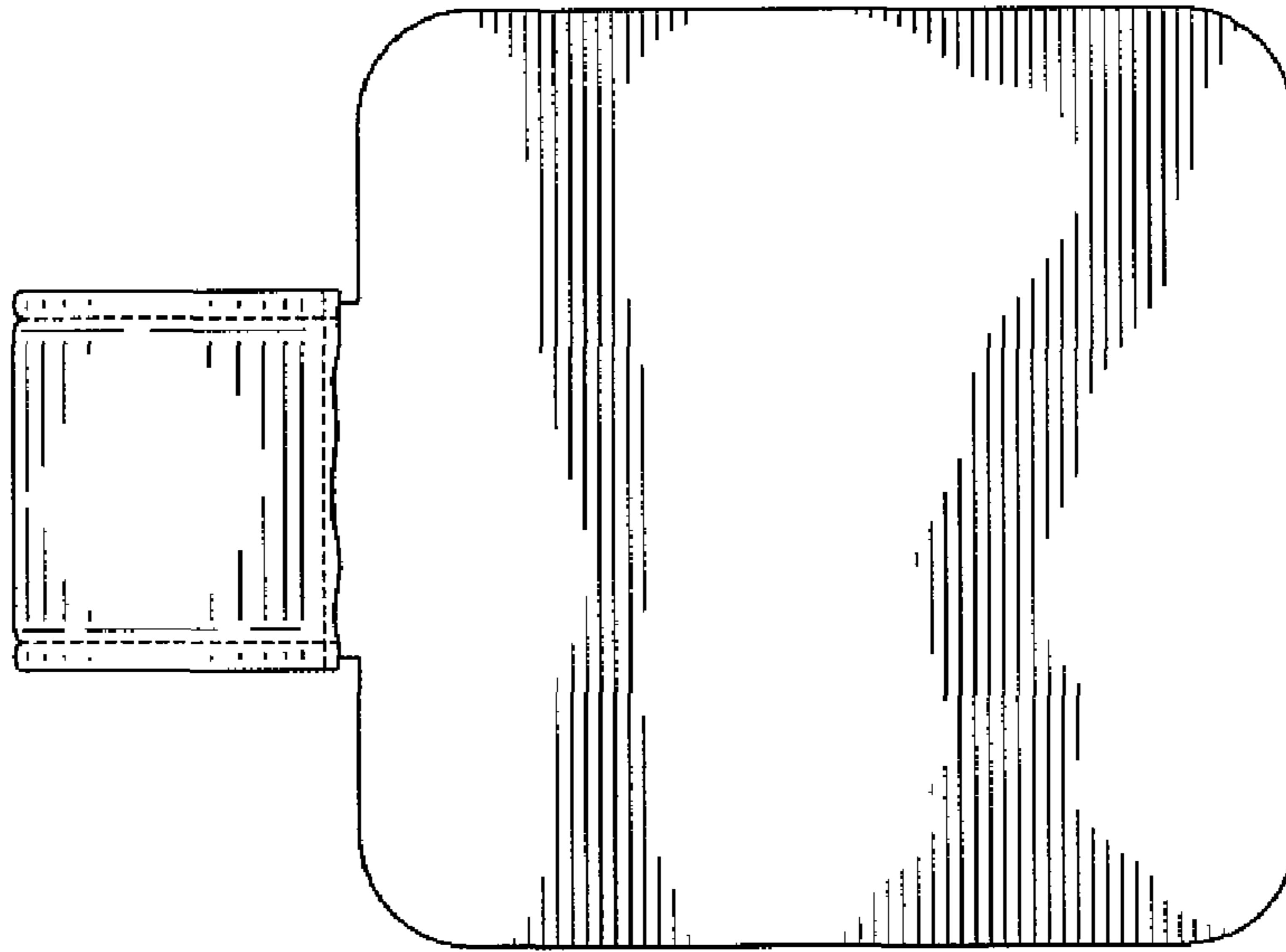


Fig. 7

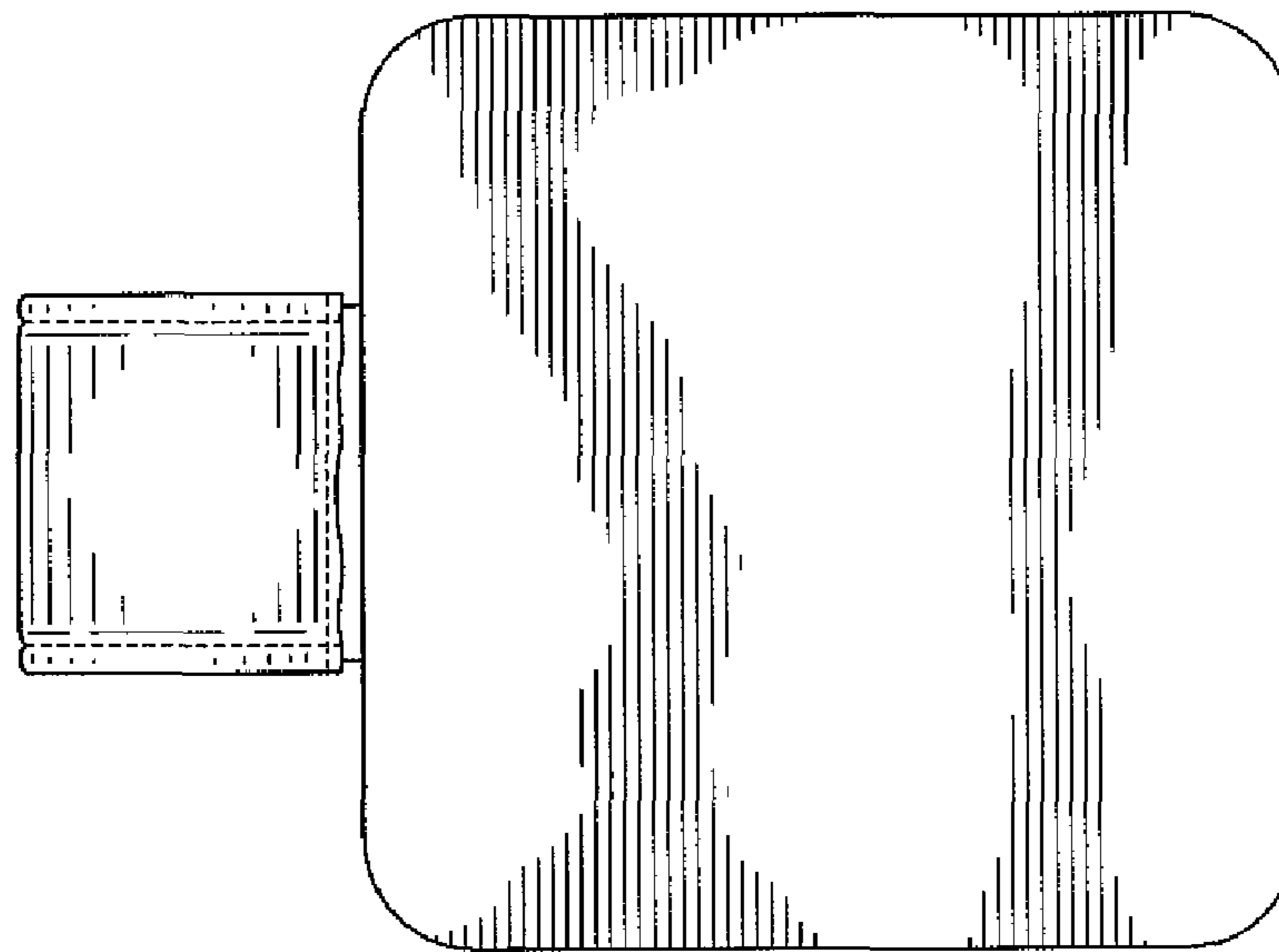


Fig. 8

