



US00D620979S

(12) **United States Design Patent**
Renner et al.

(10) **Patent No.:** **US D620,979 S**
(45) **Date of Patent:** **** Aug. 3, 2010**

(54) **PENCIL**

D466,155 S * 11/2002 Brunetti D19/49

(75) Inventors: **Reinhard Renner**, Esslingen (DE);
Ulrich Schweig, Esslingen (DE)

* cited by examiner

(73) Assignee: **J.S. Staedtler GmbH & Co. KG**,
Nürnberg (DE)

Primary Examiner—Elizabeth A Albert
(74) *Attorney, Agent, or Firm*—Lucas & Mercanti, LLP;
Klaus P. Stoffel

(**) Term: **14 Years**

(57) **CLAIM**

(21) Appl. No.: **29/314,907**

The ornamental design for a pencil, as shown and described.

(22) Filed: **May 7, 2009**

DESCRIPTION

(30) **Foreign Application Priority Data**

Nov. 11, 2008 (EM) 001 037 139

FIG. 1 is an elevational side view of a pencil showing my new design;

(51) **LOC (9) Cl.** **19-06**

FIG. 2 is another side view thereof;

(52) **U.S. Cl.** **D19/45**

FIG. 3 is another side view thereof;

(58) **Field of Classification Search** D19/35,
D19/36, 41–51, 53–57; 24/11 F, 11 P, 11 R;
401/52, 99, 100, 104–109, 192, 195, 196;
D14/411

FIG. 4 is another side view thereof;

FIG. 5 is a front view thereof;

FIG. 6 is a rear view thereof;

FIG. 7 is a perspective view thereof;

See application file for complete search history.

FIG. 8 is a perspective view of another embodiment of a pencil with a slidable element;

FIG. 9 is a perspective view of another embodiment of a pencil with a slidable element;

(56) **References Cited**

U.S. PATENT DOCUMENTS

- D25,606 S * 6/1896 Kaiser D19/49
- D107,521 S * 12/1937 Kropsch D19/49
- 2,107,816 A * 2/1938 Chesler 401/96
- 2,893,109 A * 7/1959 Young 29/90.01
- 3,262,425 A * 7/1966 Waugh 15/431
- D217,838 S * 6/1970 Lee et al. D19/43
- 4,167,347 A * 9/1979 Hoyle 401/88
- 4,625,366 A * 12/1986 Egerer 19/97
- 5,056,945 A * 10/1991 Klodt 401/6
- 6,179,502 B1 * 1/2001 Gray 401/96

FIG. 10 is an elevational side view of a second embodiment of the pencil;

FIG. 11 is another side view thereof;

FIG. 12 is another side view thereof;

FIG. 13 is another side view thereof;

FIG. 14 is a front view thereof;

FIG. 15 is a rear view thereof; and,

FIG. 16 is a perspective view thereof.

1 Claim, 12 Drawing Sheets



FIG. 1



FIG. 2



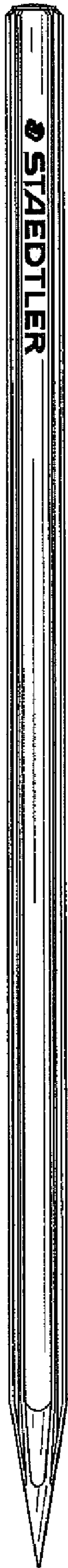


FIG. 3



FIG. 4

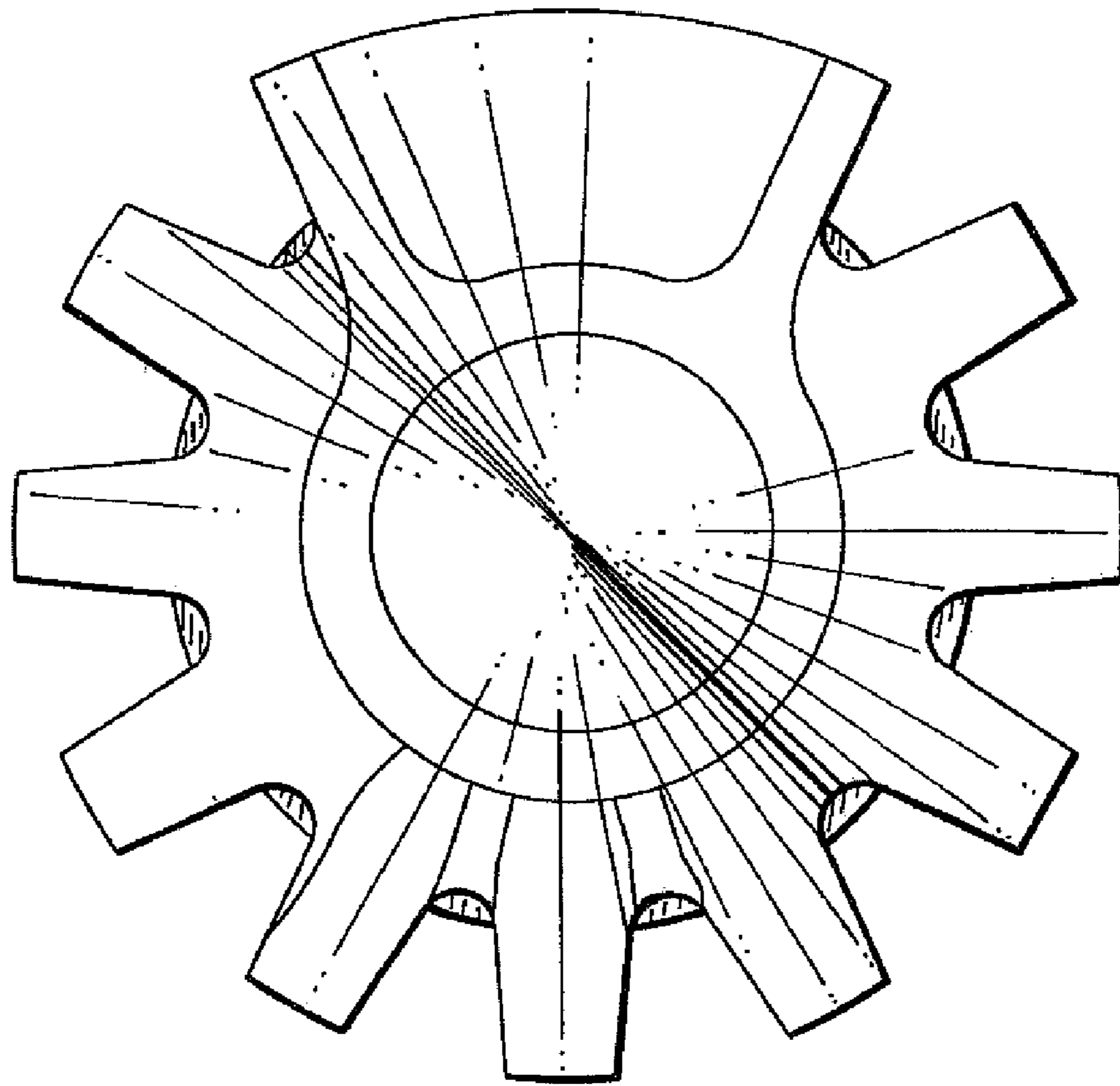


FIG. 5

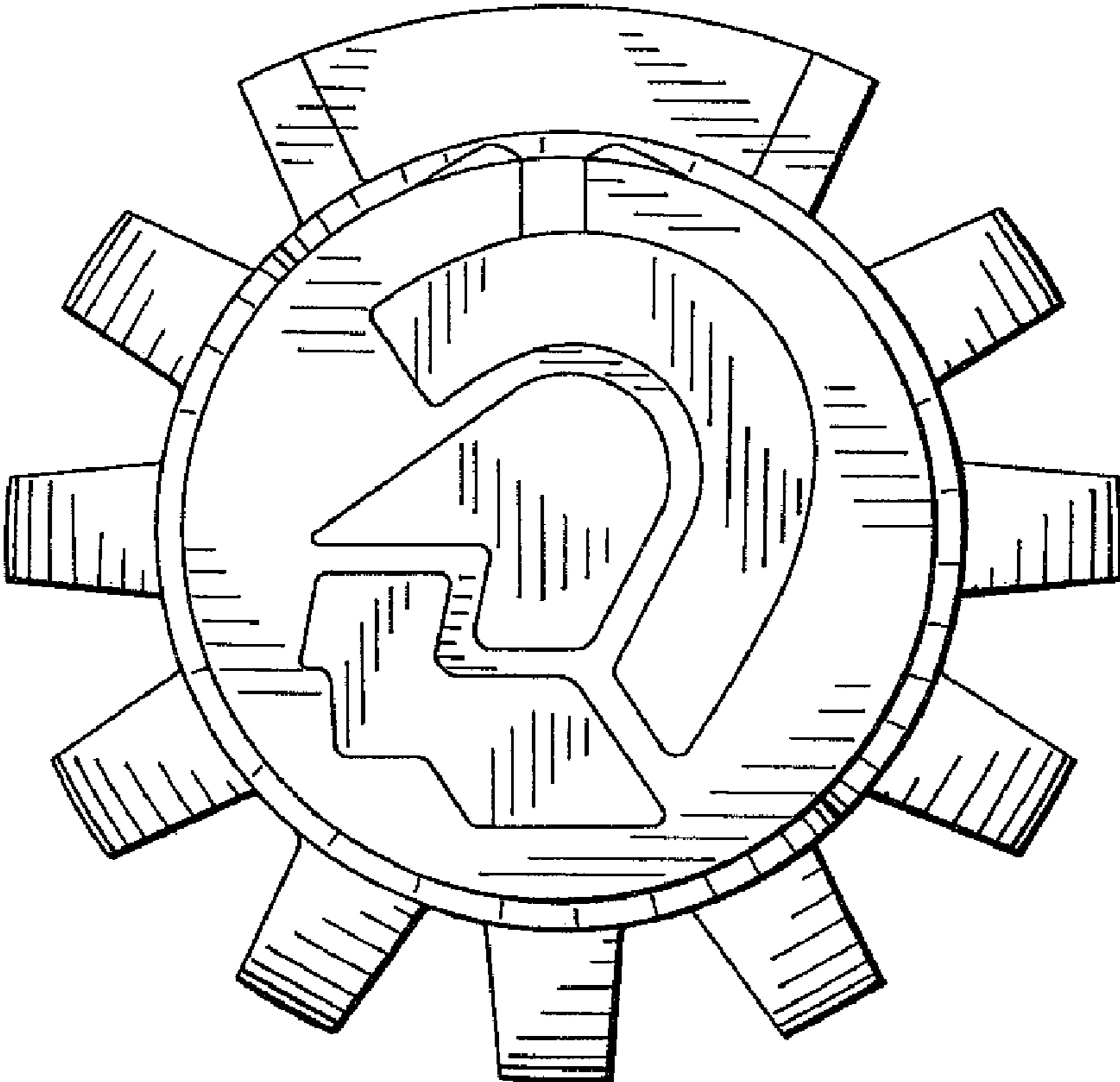


FIG. 6

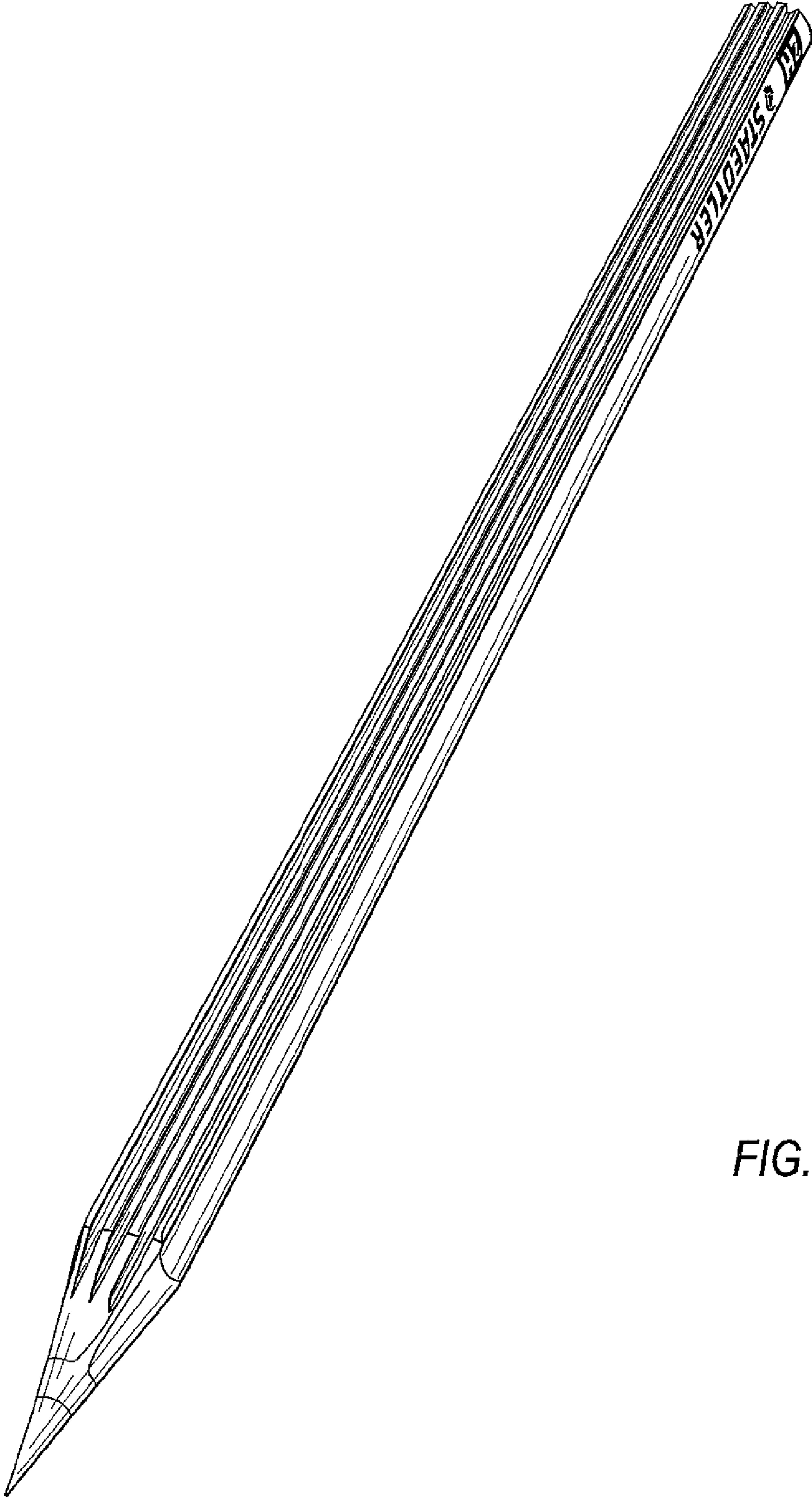


FIG. 7

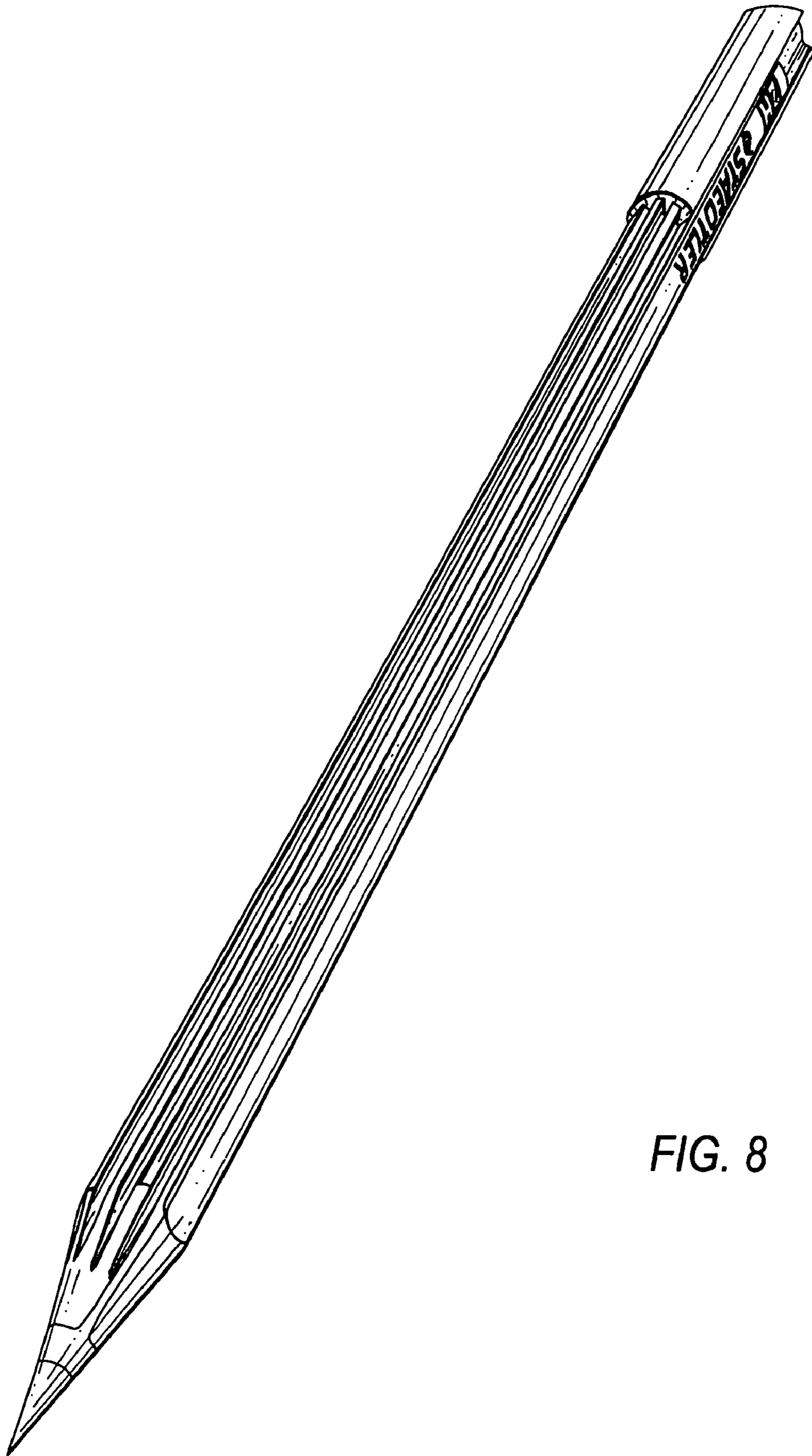


FIG. 8

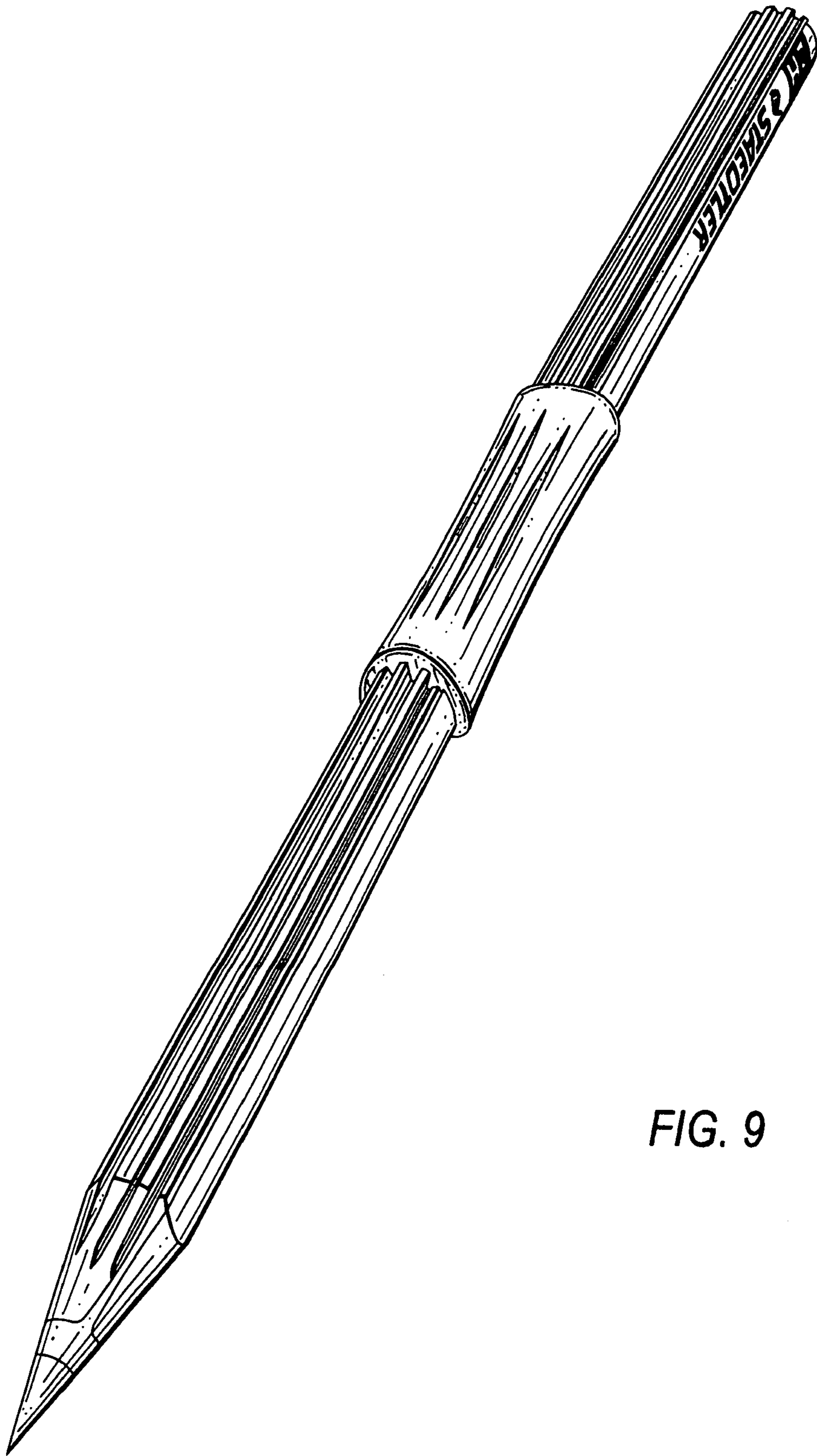


FIG. 9

FIG. 10

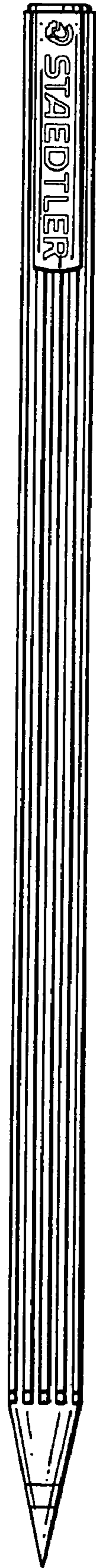


FIG. 11



FIG. 12



FIG. 13



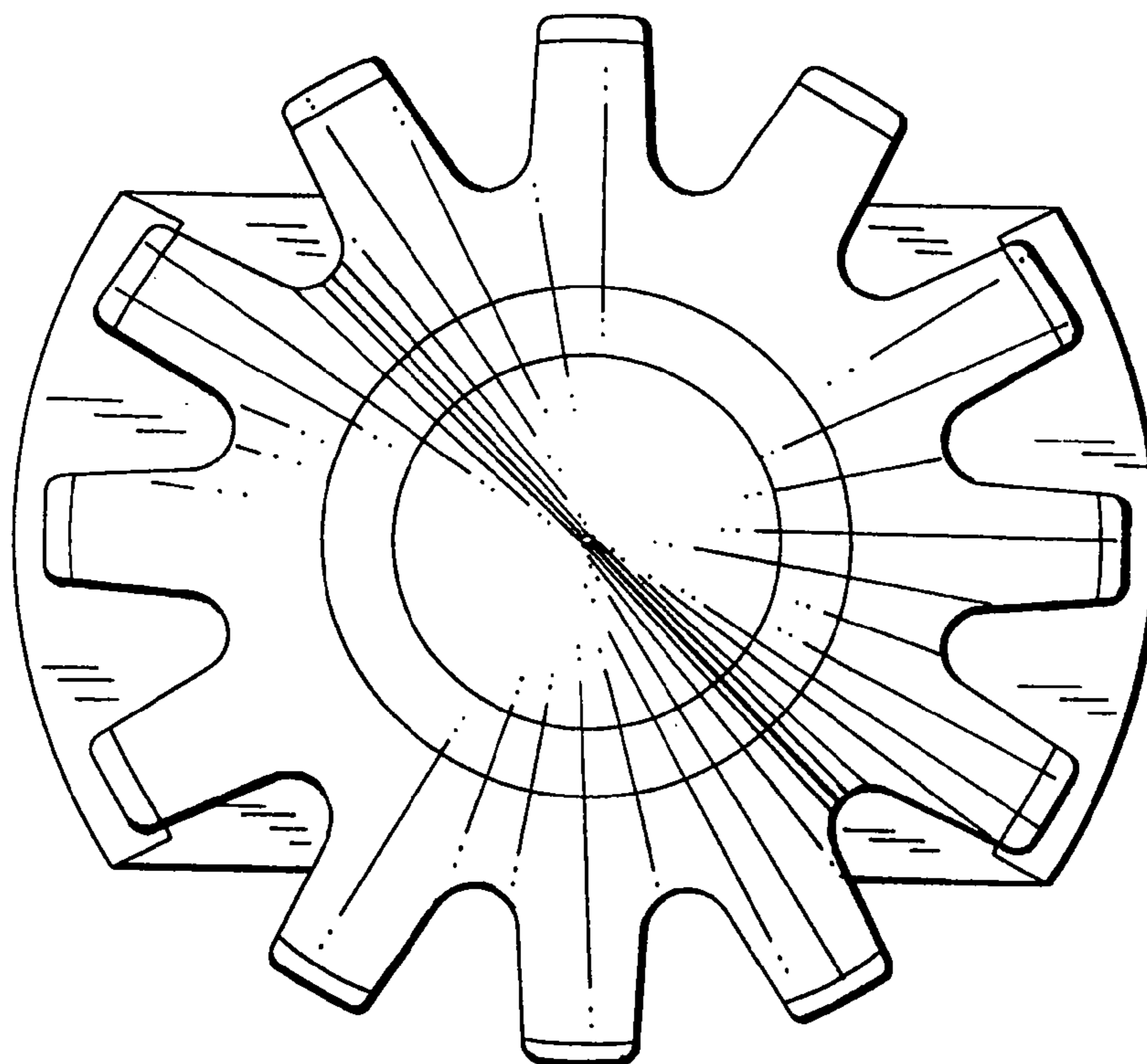


FIG. 14

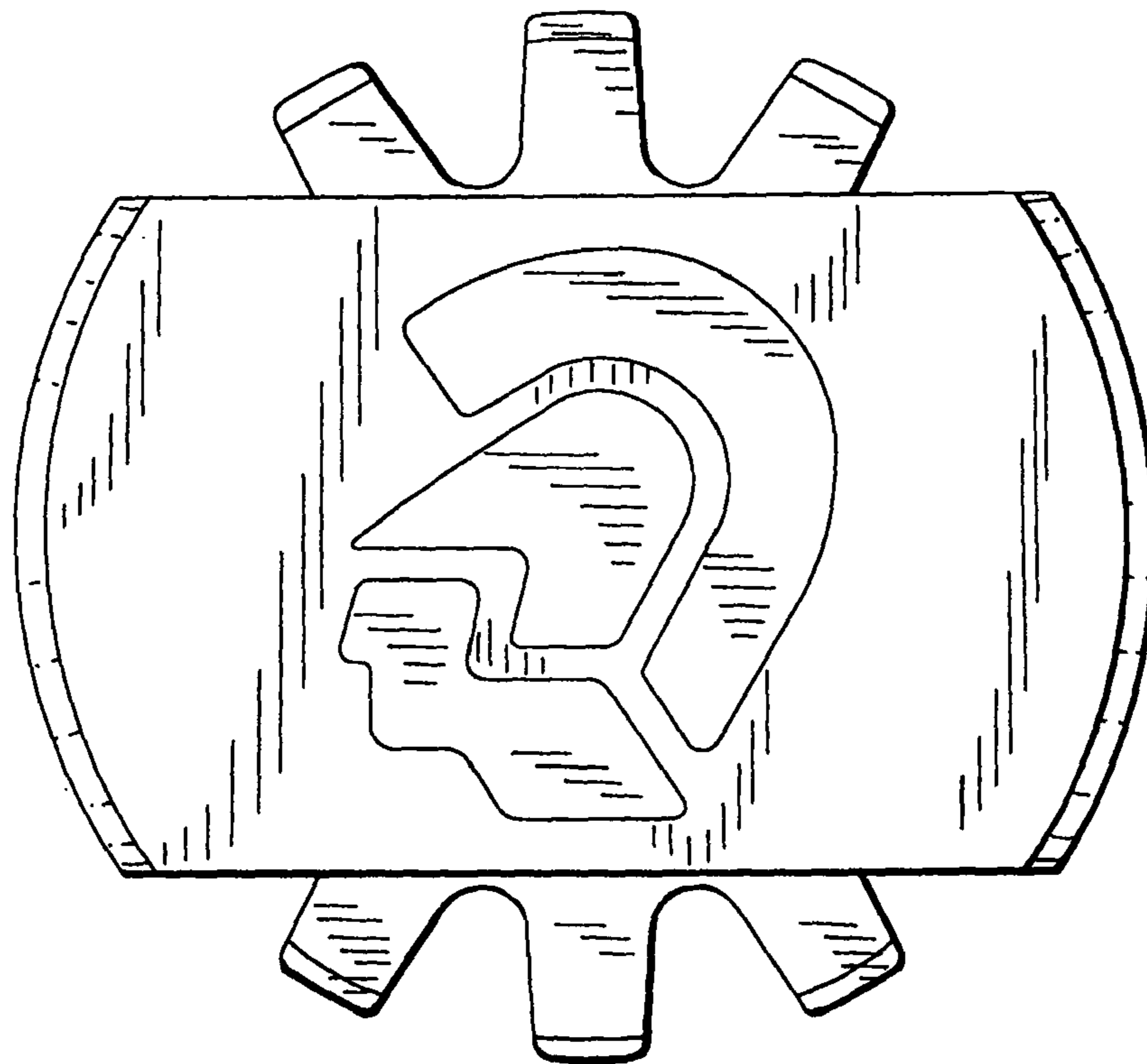


FIG. 15

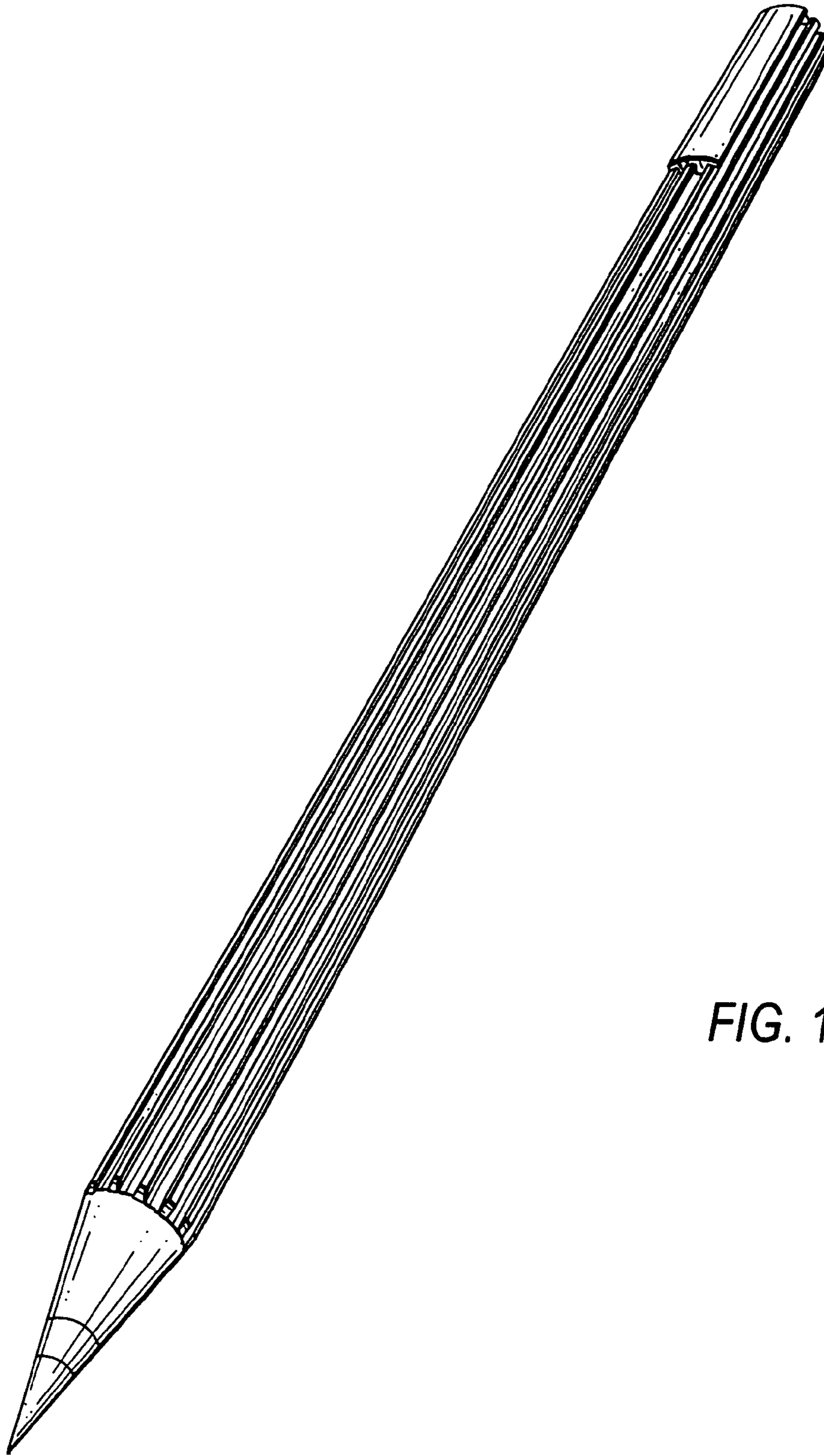


FIG. 16

UNITED STATES PATENT AND TRADEMARK OFFICE
CERTIFICATE OF CORRECTION

PATENT NO. : D620,979 S
APPLICATION NO. : 29/314907
DATED : August 3, 2010
INVENTOR(S) : Renner et al.

Page 1 of 1

It is certified that error appears in the above-identified patent and that said Letters Patent is hereby corrected as shown below:

On the Title Page, description of Figures 8 through 16 should be deleted.

Signed and Sealed this
Twelfth Day of July, 2011

A handwritten signature in black ink that reads "David J. Kappos". The signature is written in a cursive style with a large initial 'D' and 'K'.

David J. Kappos
Director of the United States Patent and Trademark Office