



US00D620974S

(12) **United States Design Patent**
Kachi et al.

(10) **Patent No.:** **US D620,974 S**

(45) **Date of Patent:** **** Aug. 3, 2010**

(54) **PRINTER**

(75) Inventors: **Yasuhiko Kachi**, Kanagawa (JP);
Norihisa Takada, Kanagawa (JP);
Masaki Kataoka, Kanagawa (JP)

(73) Assignee: **Fujifilm Corporation**, Tokyo (JP)

(**) Term: **14 Years**

(21) Appl. No.: **29/327,736**

(22) Filed: **Nov. 12, 2008**

(30) **Foreign Application Priority Data**

May 16, 2008 (JP) 2008-012333

(51) **LOC (9) Cl.** **16-03**

(52) **U.S. Cl.** **D18/39**

(58) **Field of Classification Search** D18/36-41,
D18/44-56; 222/DIG. 1; 271/3.14, 8.1,
271/226, 278; 355/97, 98; 358/1.1; 399/1-7,
399/16, 75, 81, 107, 130, 155, 361, 365,
399/381-383, 388

See application file for complete search history.

(56) **References Cited**

U.S. PATENT DOCUMENTS

D217,395 S * 4/1970 Greenlee et al. D18/39
D265,909 S * 8/1982 Hatanaka D18/53
D312,267 S * 11/1990 Biggs et al. D18/39
D338,197 S * 8/1993 Miyazawa et al. D18/38
5,309,558 A * 5/1994 Rourke et al. 358/1.1
D377,502 S * 1/1997 Mimoto D18/54

D443,887 S * 6/2001 Ogawa et al. D18/39
D508,259 S * 8/2005 Rieck et al. D18/39
D523,070 S * 6/2006 Schneider D18/50
D544,534 S * 6/2007 Reece D18/53
D599,398 S * 9/2009 Laidlaw et al. D18/53
2006/0171734 A1 * 8/2006 Maeda 399/81
2007/0253009 A1 * 11/2007 Horn et al. 358/1.9

* cited by examiner

Primary Examiner—Garth Rademaker

(74) *Attorney, Agent, or Firm*—Young & Thompson

(57) **CLAIM**

The ornamental design for a printer, as shown and described.

DESCRIPTION

FIG. 1 is a top, front and side perspective view seen from right side of a printer showing our new design;

FIG. 2 is a top, front and side perspective view seen from left side thereof;

FIG. 3 is a front elevational view thereof;

FIG. 4 is a rear elevational view thereof;

FIG. 5 is a top plan view thereof;

FIG. 6 is a bottom plan view thereof;

FIG. 7 is a left side elevational view thereof; and,

FIG. 8 is a right side elevational view thereof.

The portions of the printer in broken lines are shown for illustrative purposes only and form no part of the claimed design.

1 Claim, 7 Drawing Sheets

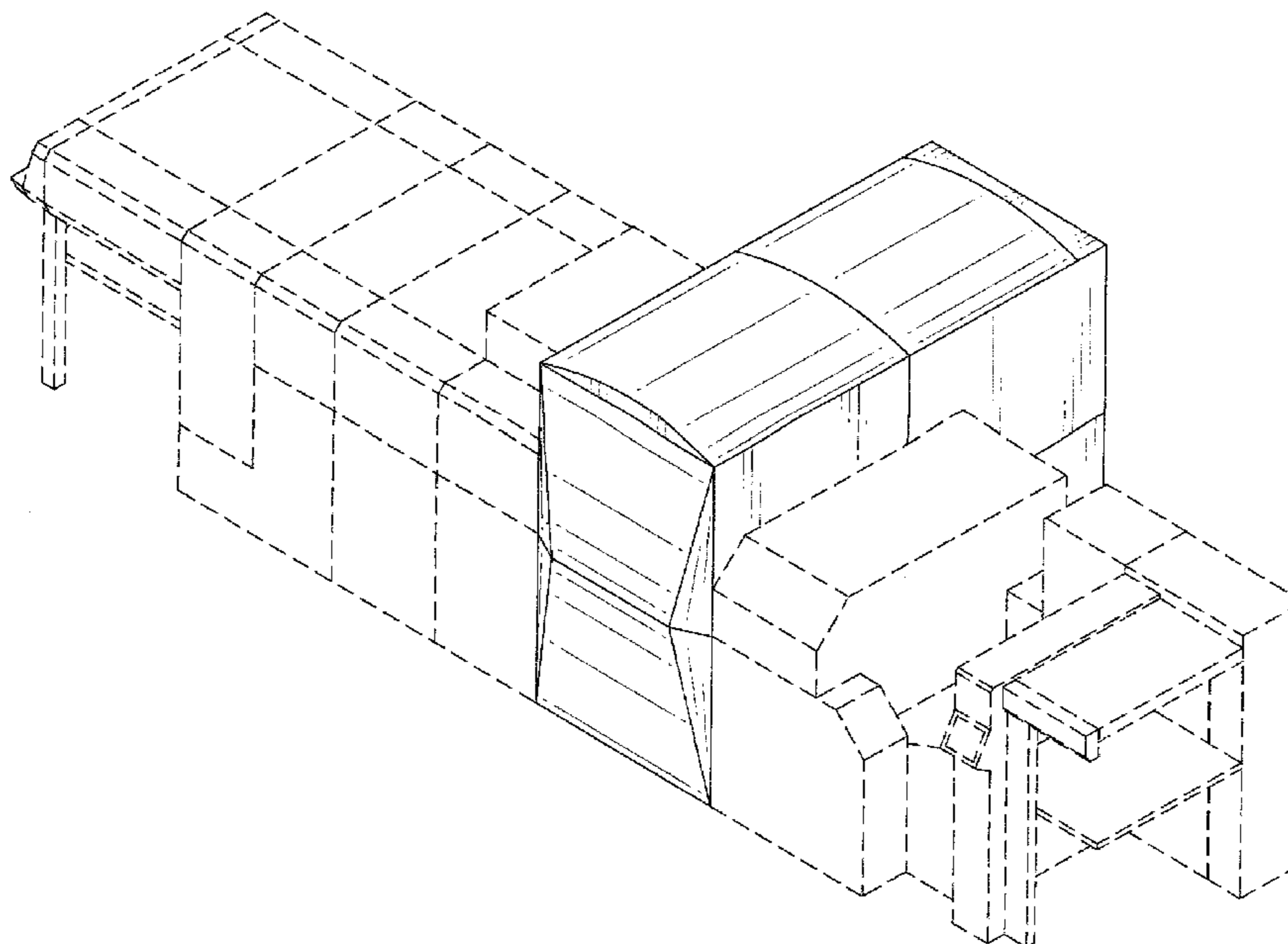


FIG. 1

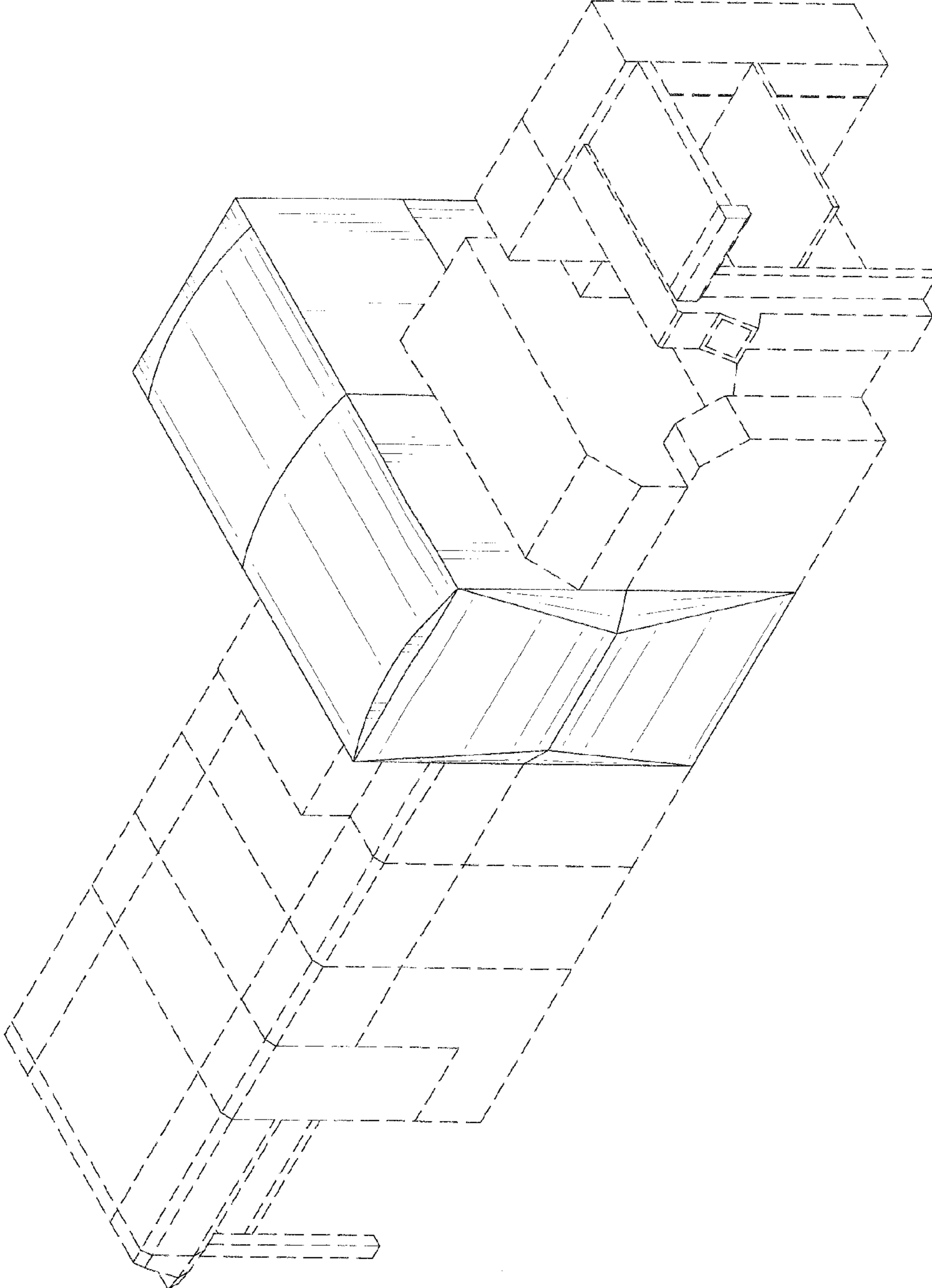


FIG. 2

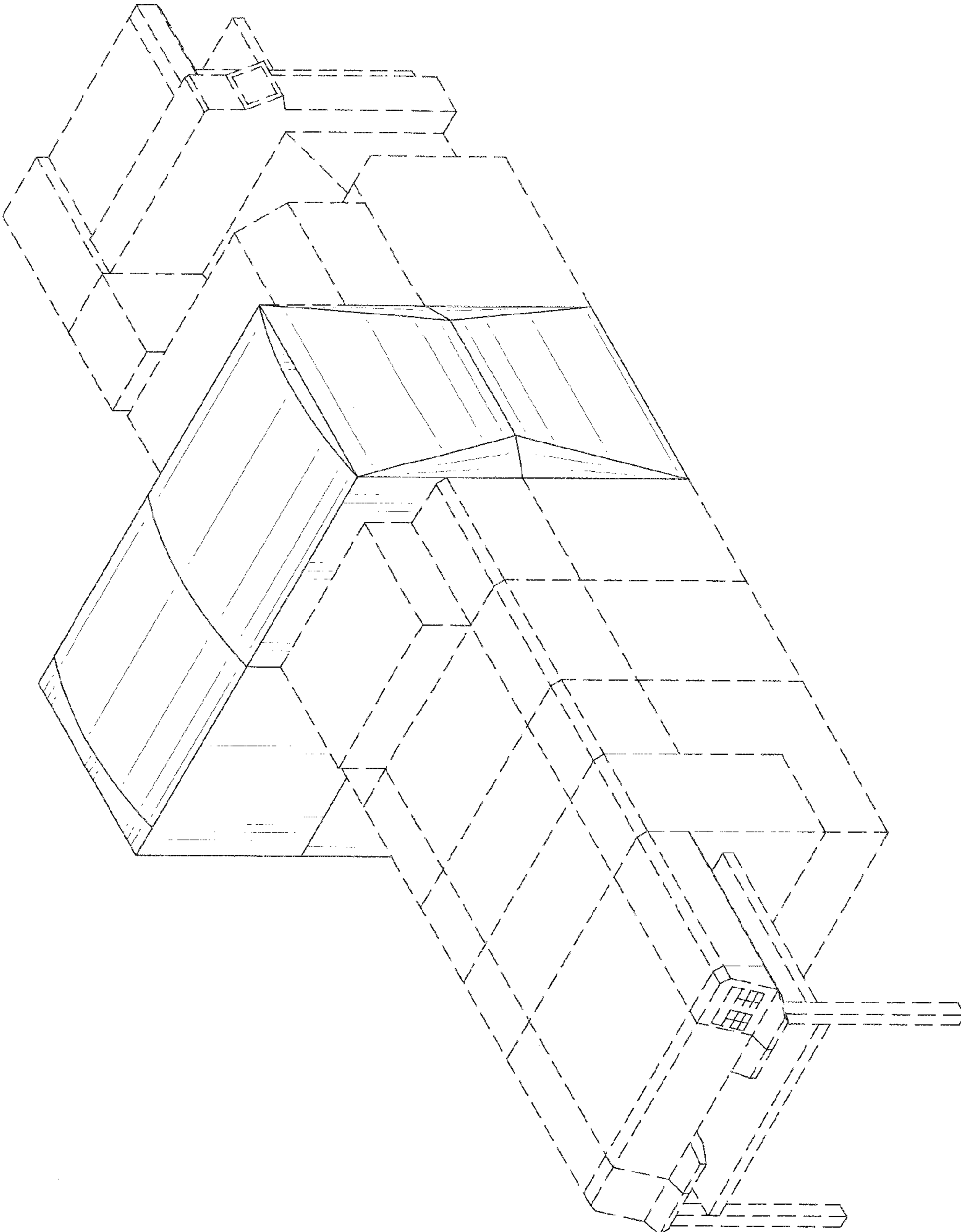


FIG. 3

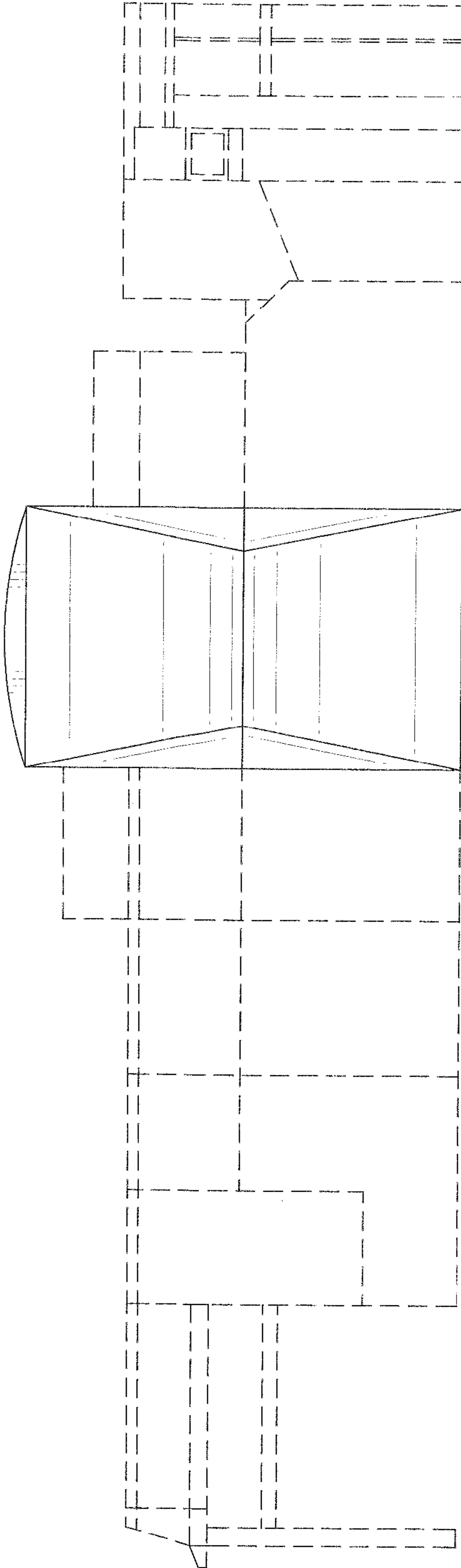


FIG. 4

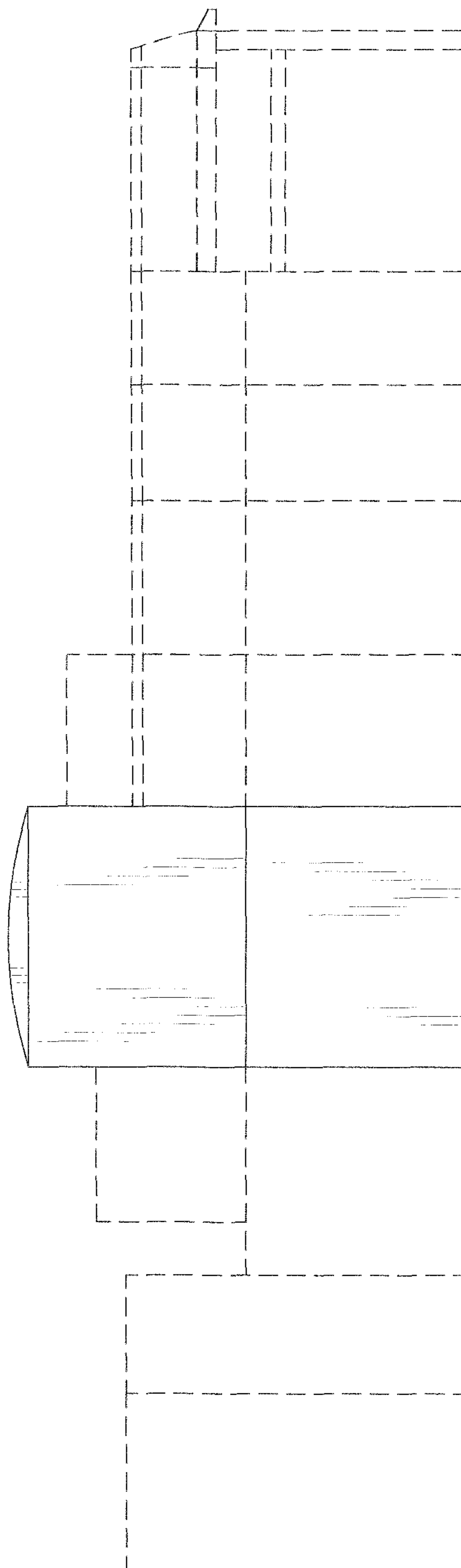


FIG. 5

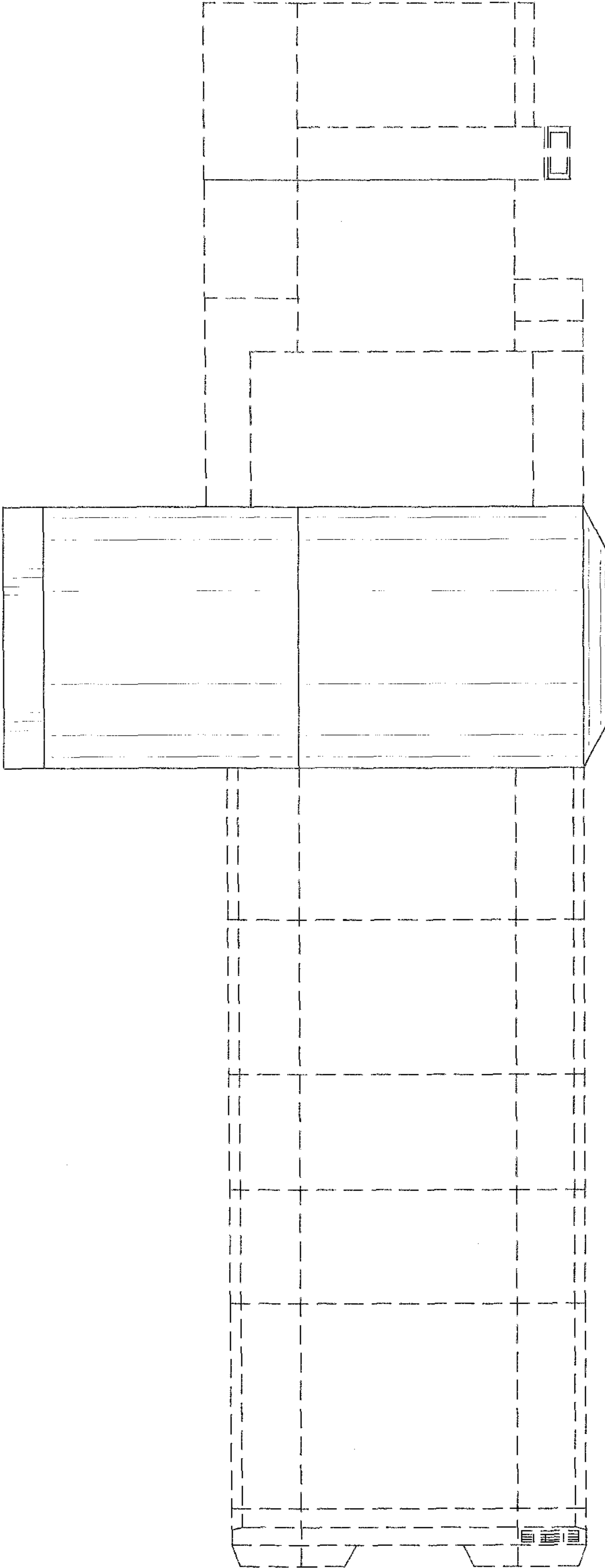


FIG. 6

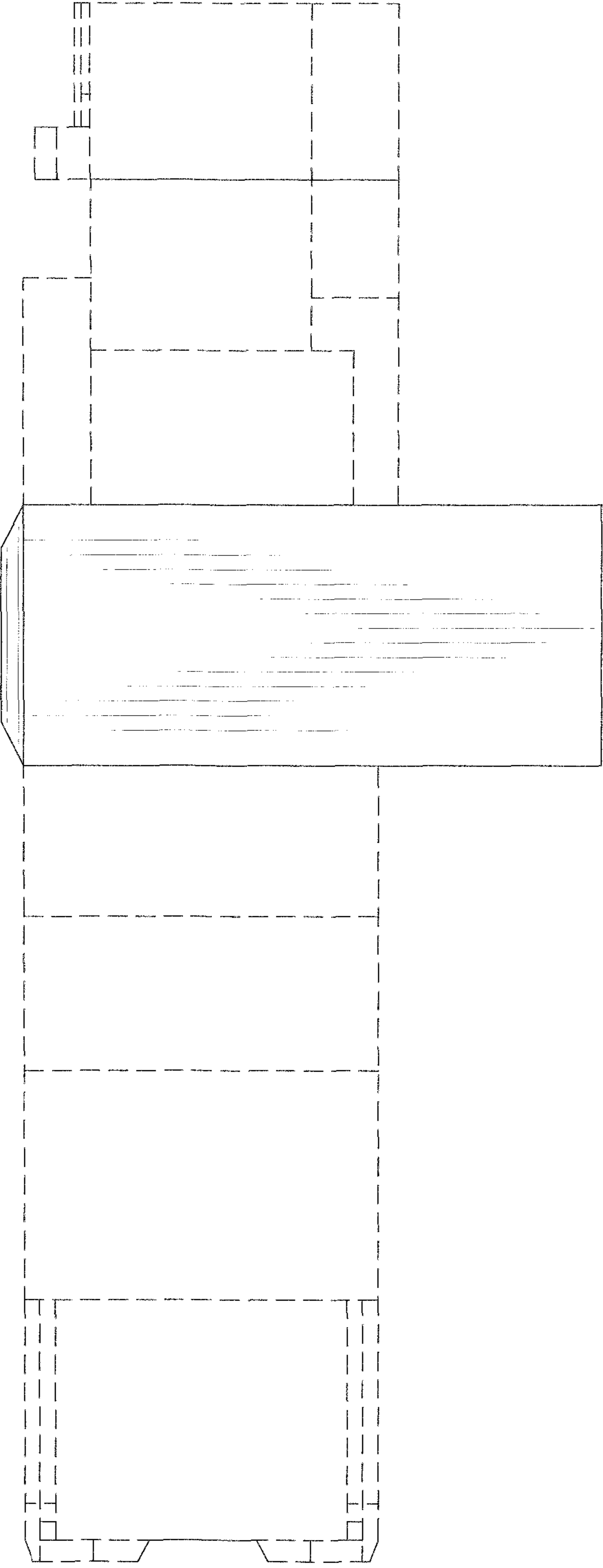


FIG.7

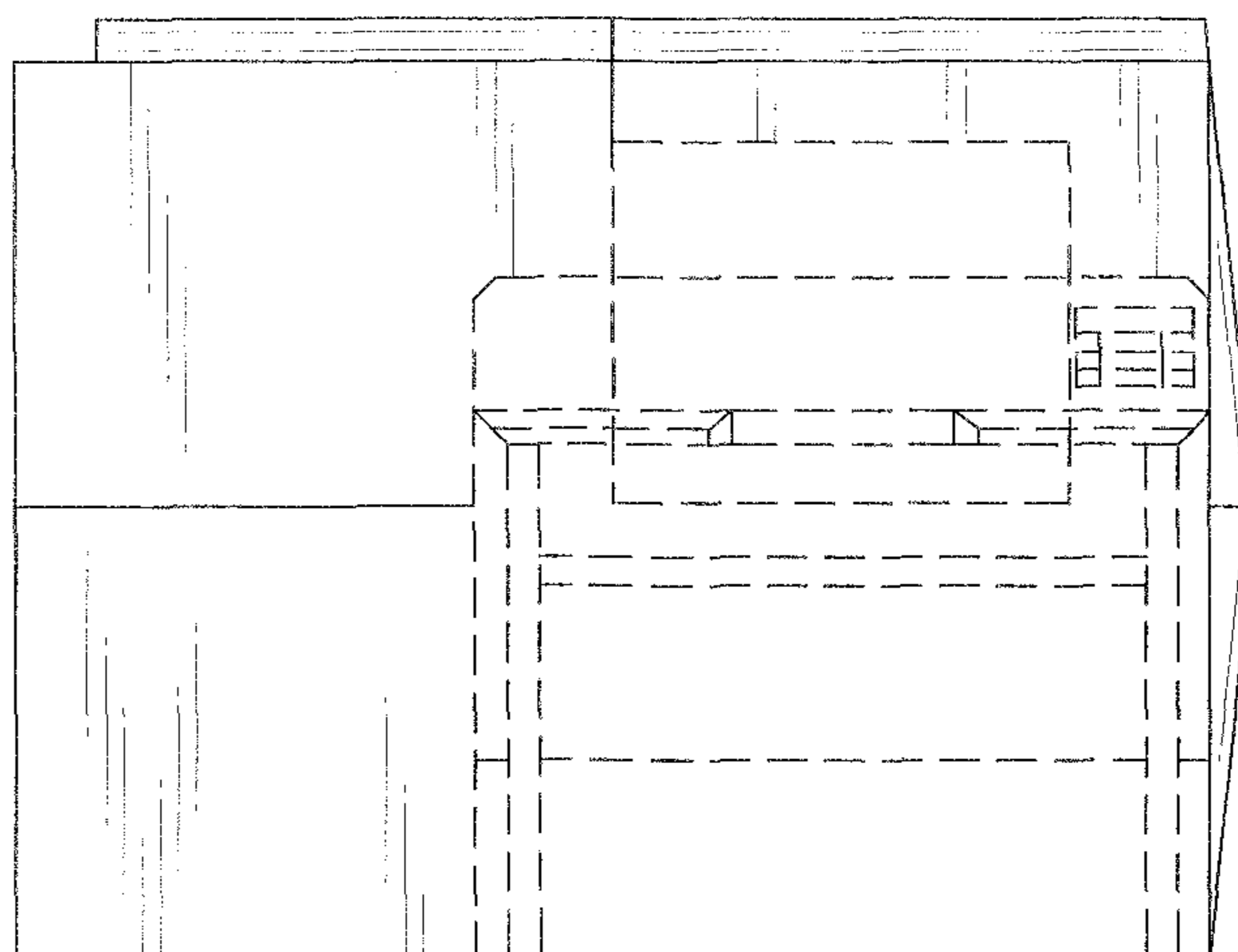


FIG.8

