



US00D620971S

(12) **United States Design Patent**  
**Kida et al.**

(10) **Patent No.:** **US D620,971 S**

(45) **Date of Patent:** **\*\* Aug. 3, 2010**

(54) **STAMP**

D508,257 S \* 8/2005 Kida et al. .... D18/15  
D538,841 S \* 3/2007 Faber ..... D18/15  
D584,341 S \* 1/2009 Watanabe et al. .... D18/15

(75) Inventors: **Masaki Kida**, Setagaya-Ku (JP);  
**Motohide Imaizumi**, Setagaya-Ku (JP)

**FOREIGN PATENT DOCUMENTS**

(73) Assignee: **Shachihata Inc.**, Nagoya (JP)

JP 976263 A1 3/1997  
JP 1334383 A1 6/2008

(\*\*) Term: **14 Years**

\* cited by examiner

(21) Appl. No.: **29/311,945**

*Primary Examiner*—Charles A Rademaker

(22) Filed: **Aug. 5, 2009**

(74) *Attorney, Agent, or Firm*—Jacobson Holman PLLC

(30) **Foreign Application Priority Data**

Feb. 6, 2009 (JP) ..... 2009-002504

(57) **CLAIM**

The ornamental design for a stamp, as shown and described.

(51) **LOC (9) Cl.** ..... **19-02**

(52) **U.S. Cl.** ..... **D18/15**

(58) **Field of Classification Search** ..... D18/15-18;  
101/327, 333, 334, 368, 371-373, 376, 405,  
101/406; 118/264, 268

See application file for complete search history.

**DESCRIPTION**

FIG. 1 is a front perspective view of a stamp showing our new design;

FIG. 2 is a rear elevation thereof,

FIG. 3 is a left elevation thereof,

FIG. 4 is a right elevation thereof,

FIG. 5 is a top plan view thereof,

FIG. 6 is a bottom view thereof; and,

FIG. 7 is a perspective view thereof.

(56) **References Cited**

**U.S. PATENT DOCUMENTS**

D377,660 S \* 1/1997 Kida et al. .... D18/15  
D430,891 S \* 9/2000 Faber ..... D18/15  
D508,072 S \* 8/2005 Kida et al. .... D18/15

**1 Claim, 1 Drawing Sheet**

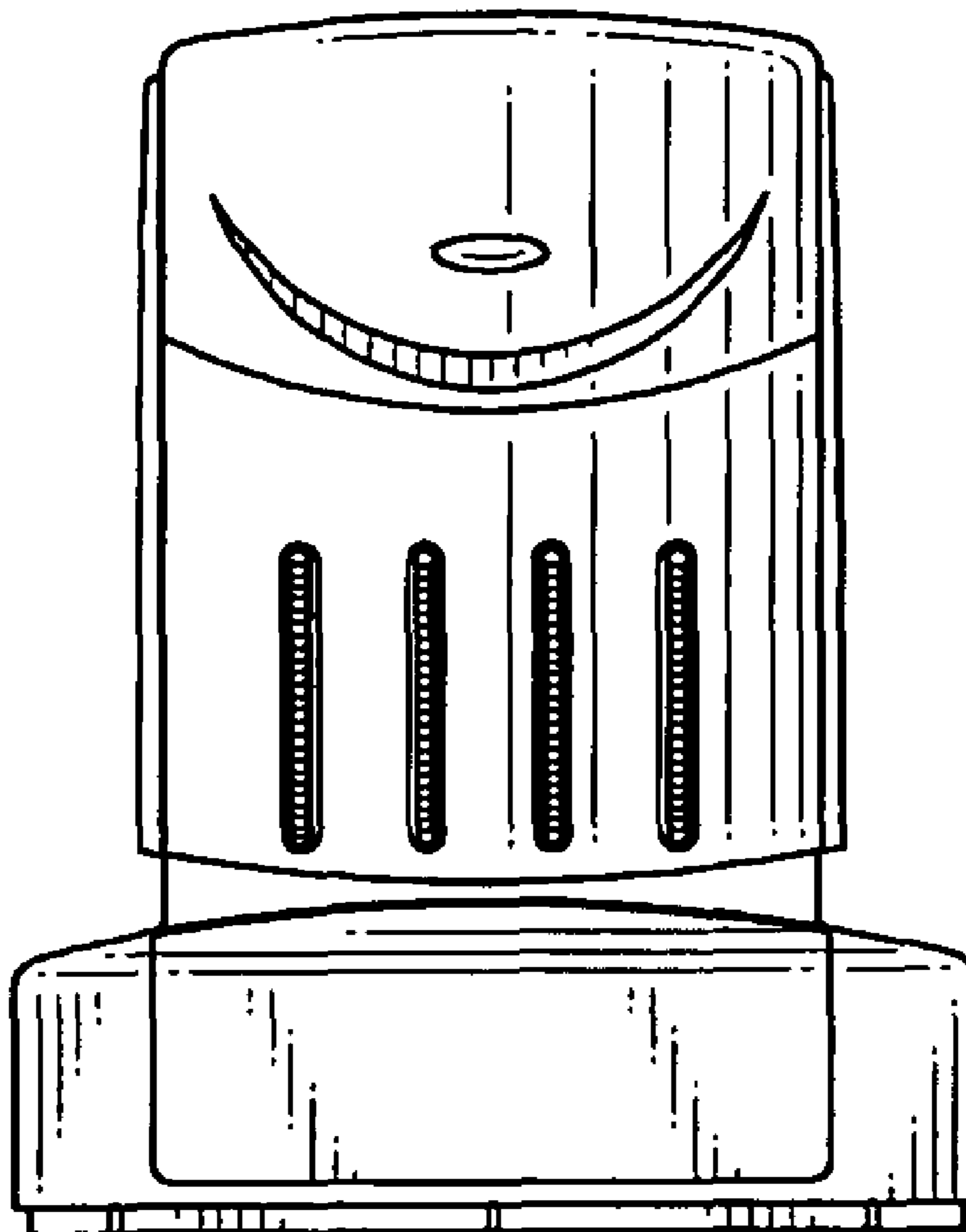


FIG. 1

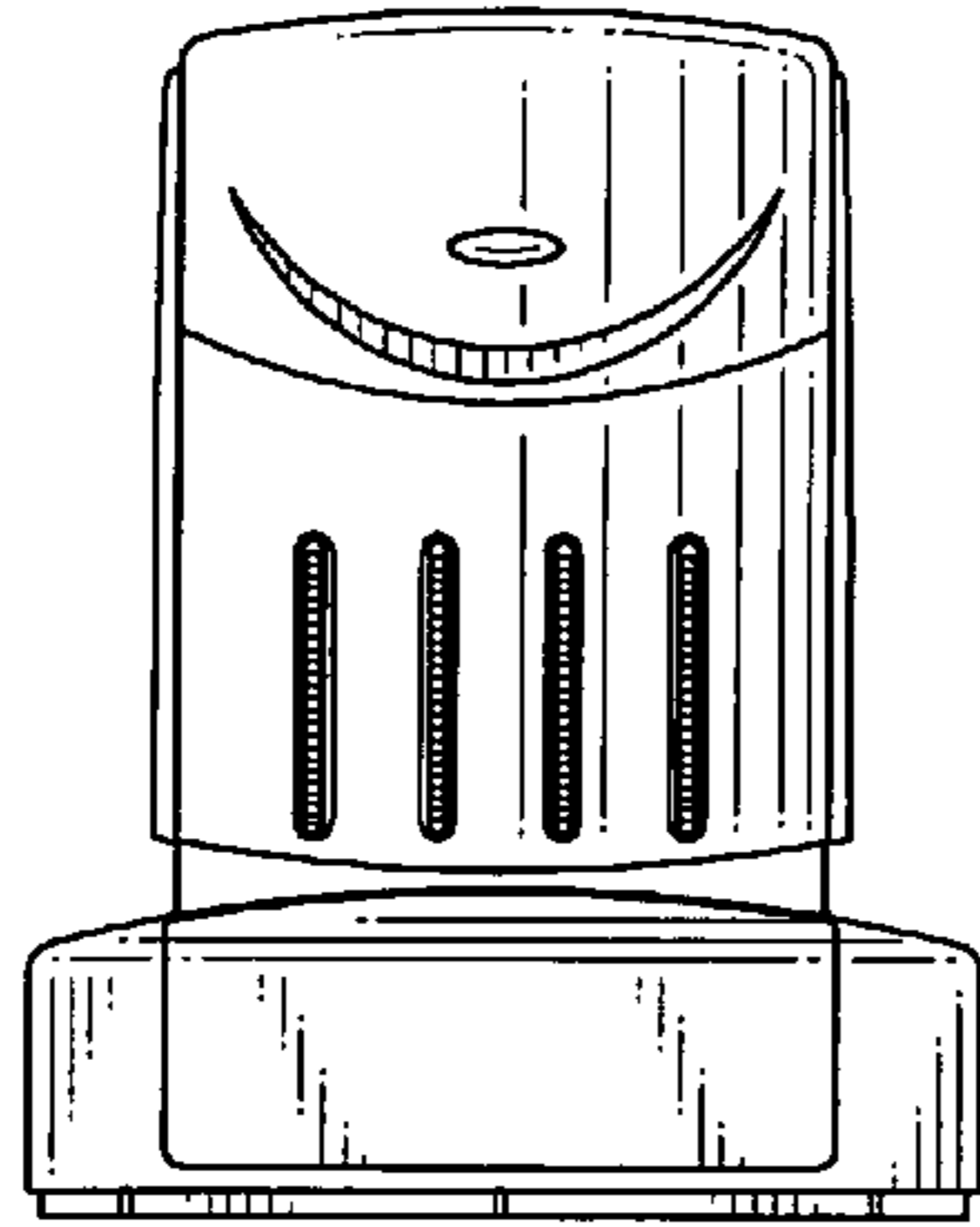


FIG. 2

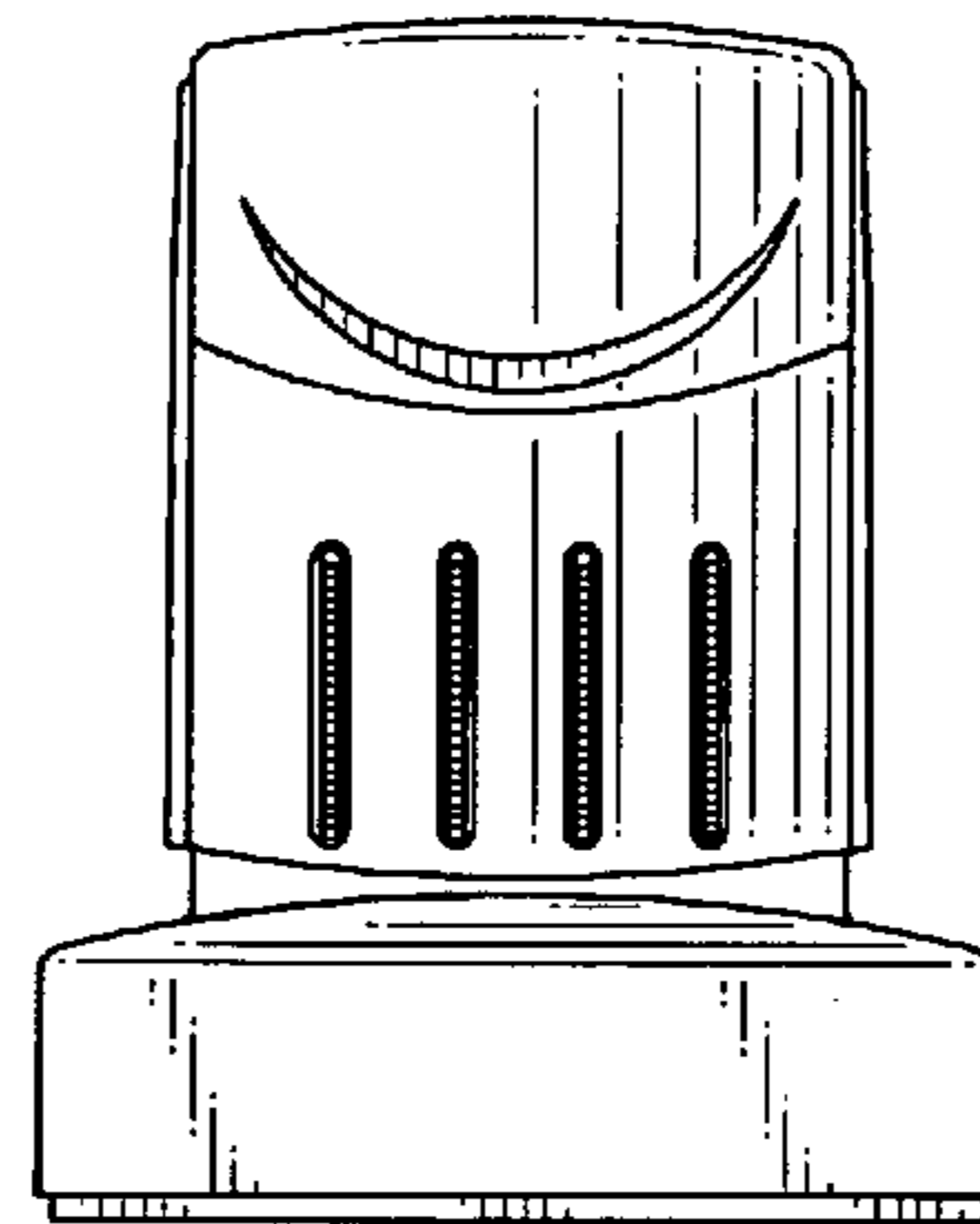


FIG. 3

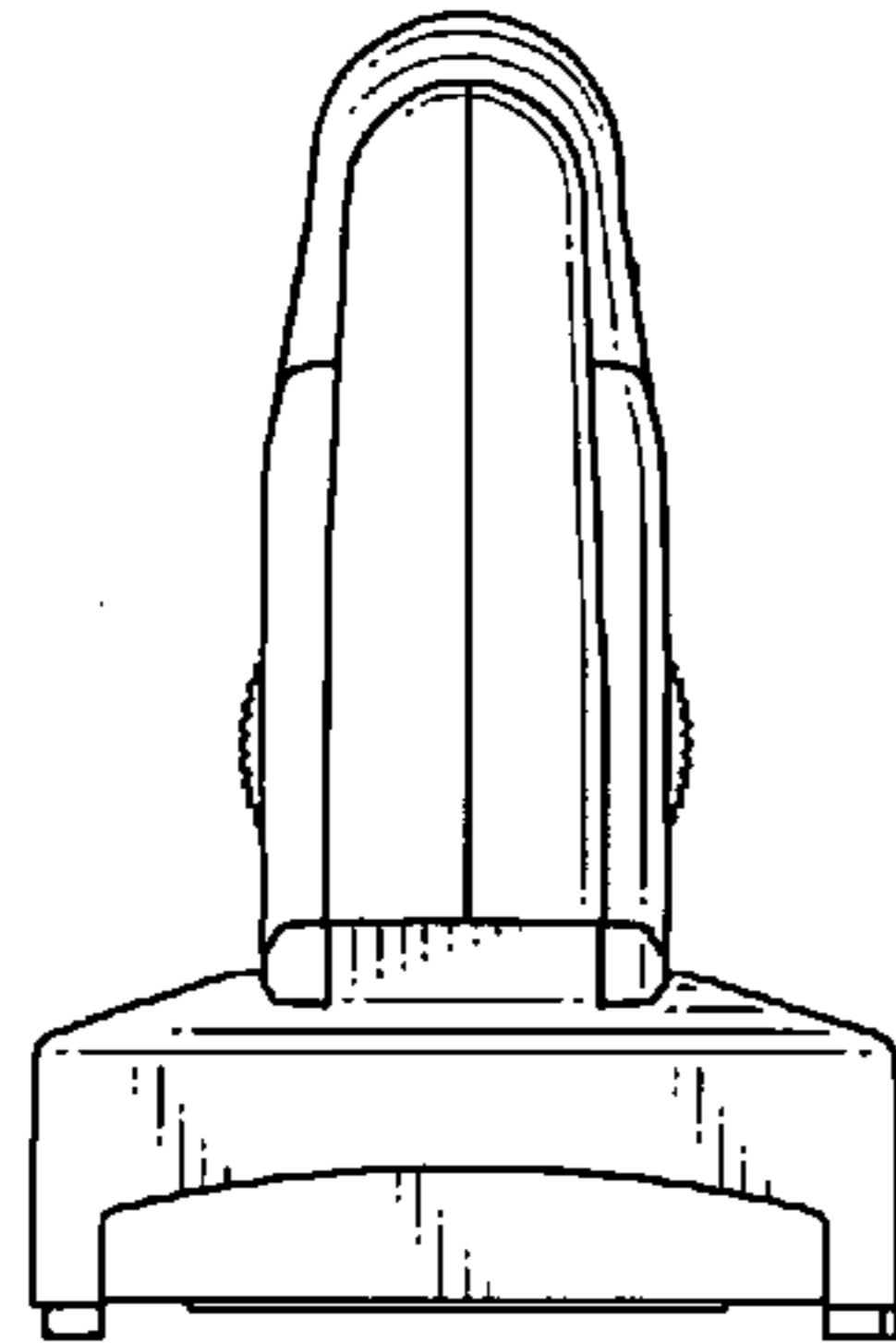


FIG. 4

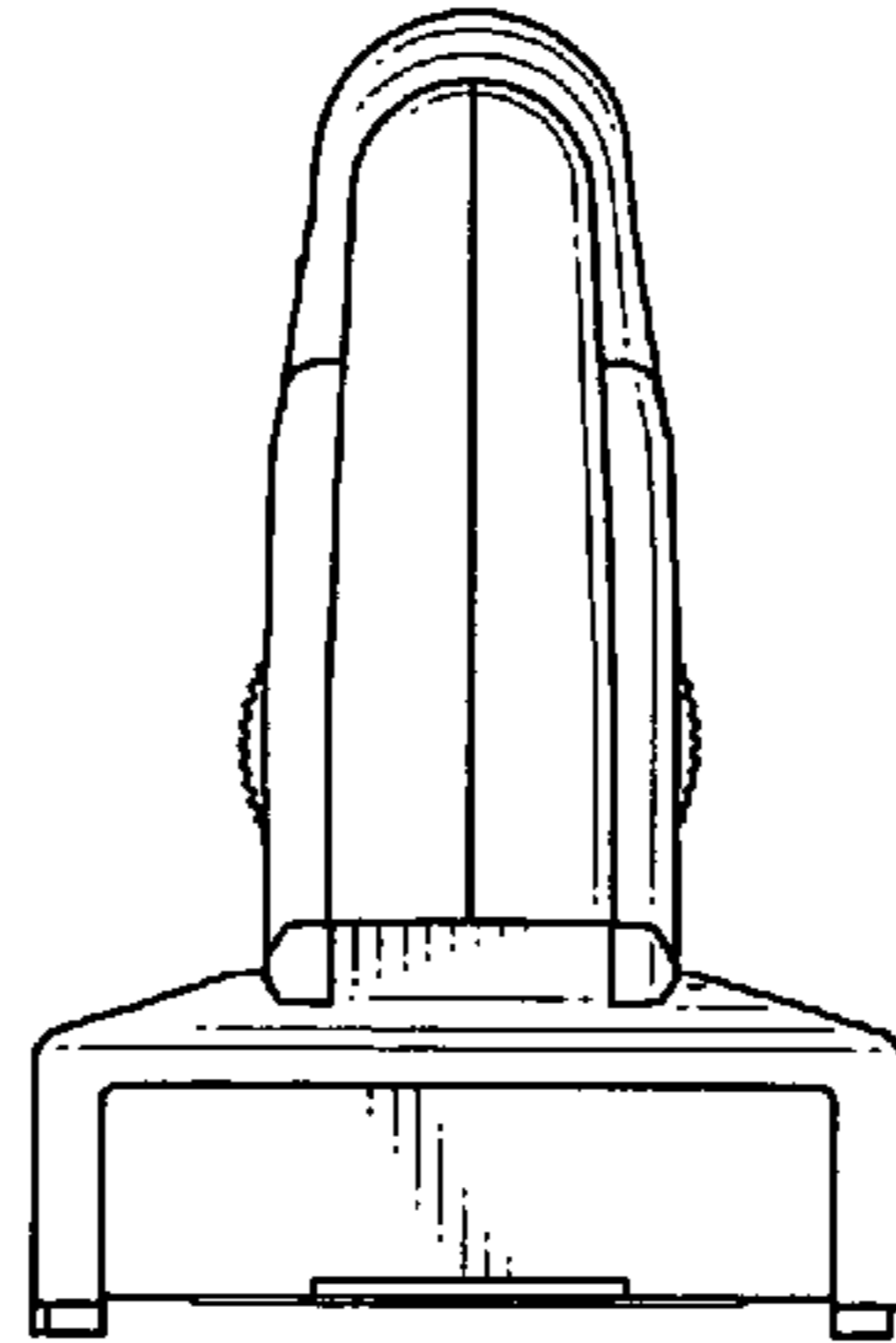


FIG. 5

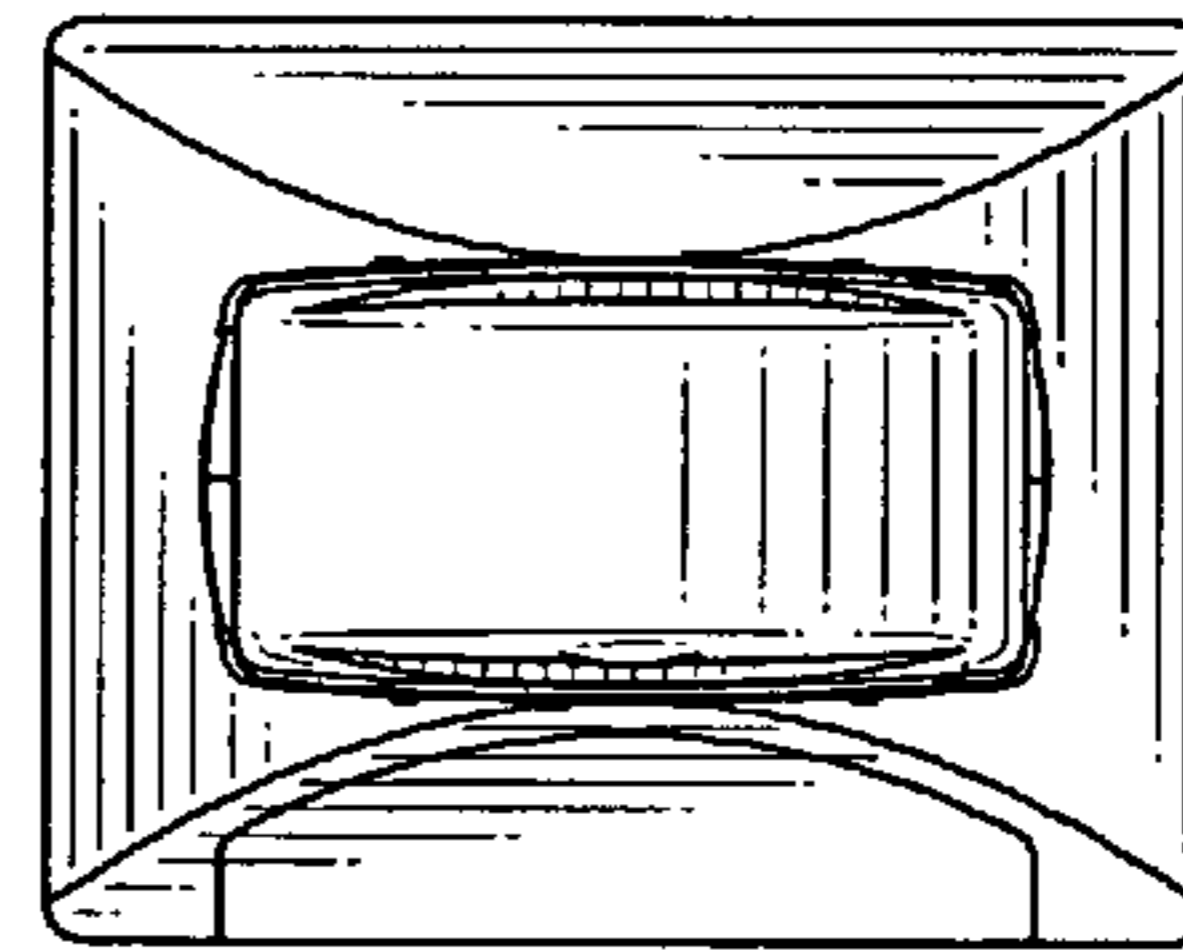


FIG. 7

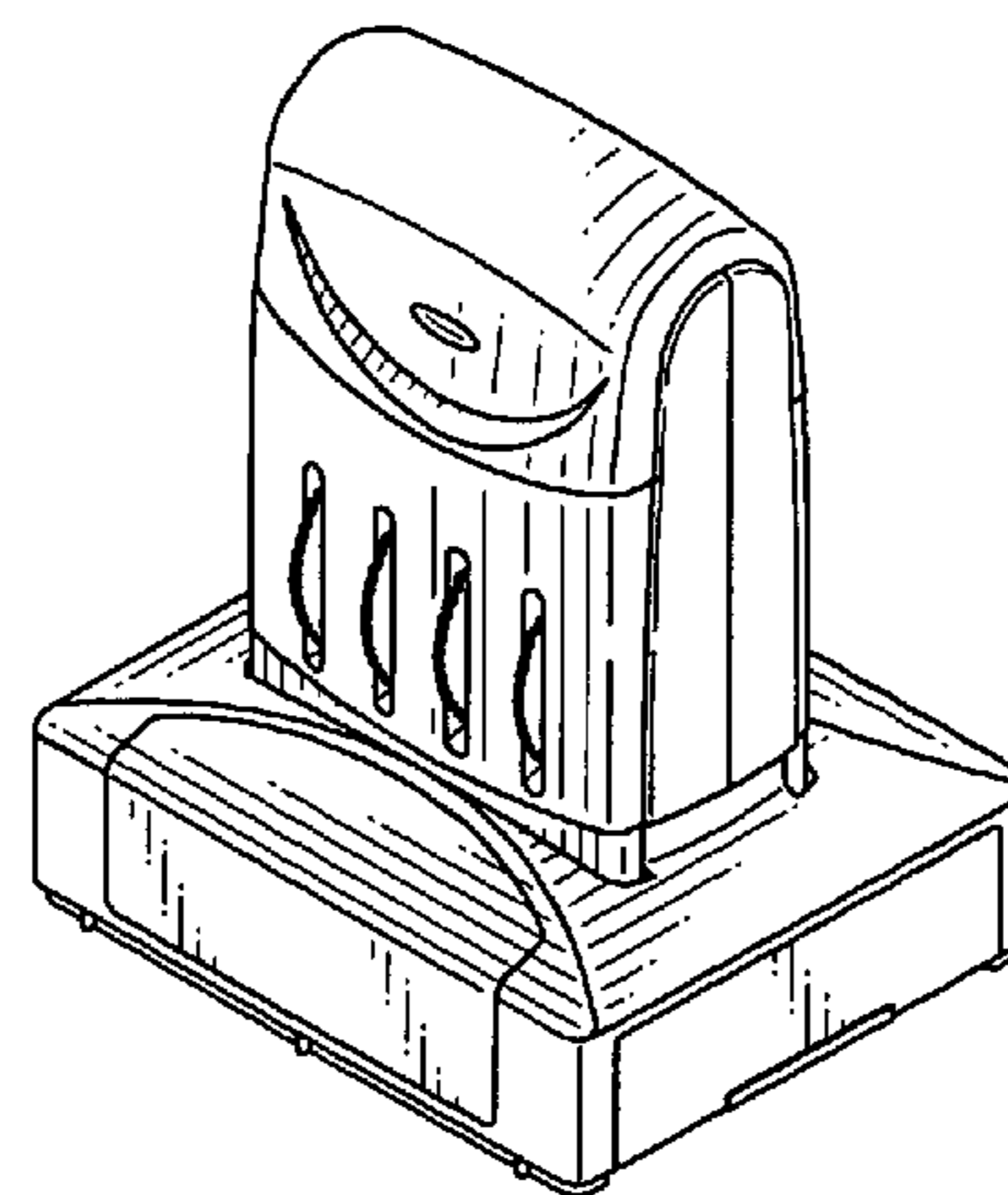


FIG. 6

