



US00D620969S

(12) **United States Design Patent**  
**Cyr**

(10) **Patent No.:** **US D620,969 S**

(45) **Date of Patent:** **\*\* Aug. 3, 2010**

(54) **GOGGLES**

(75) Inventor: **Raymond Cyr, Québec (CA)**

(73) Assignee: **Revision Eyewear, Inc., Montreal QC (CA)**

(\*\*) Term: **14 Years**

(21) Appl. No.: **29/344,450**

(22) Filed: **Sep. 29, 2009**

(51) **LOC (9) Cl.** ..... **16-06**

(52) **U.S. Cl.** ..... **D16/312**

(58) **Field of Classification Search** ..... D16/101,  
D16/300-342; D29/109-110; D24/110.2;  
351/41, 44, 51-52, 62, 158, 92, 103-123,  
351/140, 153, 45-46; 2/426-432, 447-449,  
2/441, 434-437, 13, 15; D21/483, 659-661  
See application file for complete search history.

(56) **References Cited**

**U.S. PATENT DOCUMENTS**

6,076,196 A \* 6/2000 Masumoto ..... 2/436

D510,378 S \* 10/2005 Dondero et al. .... D16/312  
D523,889 S \* 6/2006 Chen ..... D16/312  
D537,099 S \* 2/2007 Saderholm et al. .... D16/312  
D577,054 S \* 9/2008 Moritz ..... D16/312  
D581,964 S \* 12/2008 Hooper et al. .... D16/311  
D598,040 S \* 8/2009 Sheldon et al. .... D16/312

\* cited by examiner

*Primary Examiner*—Raphael Barkai

(74) *Attorney, Agent, or Firm*—Erickson Law Group, PC

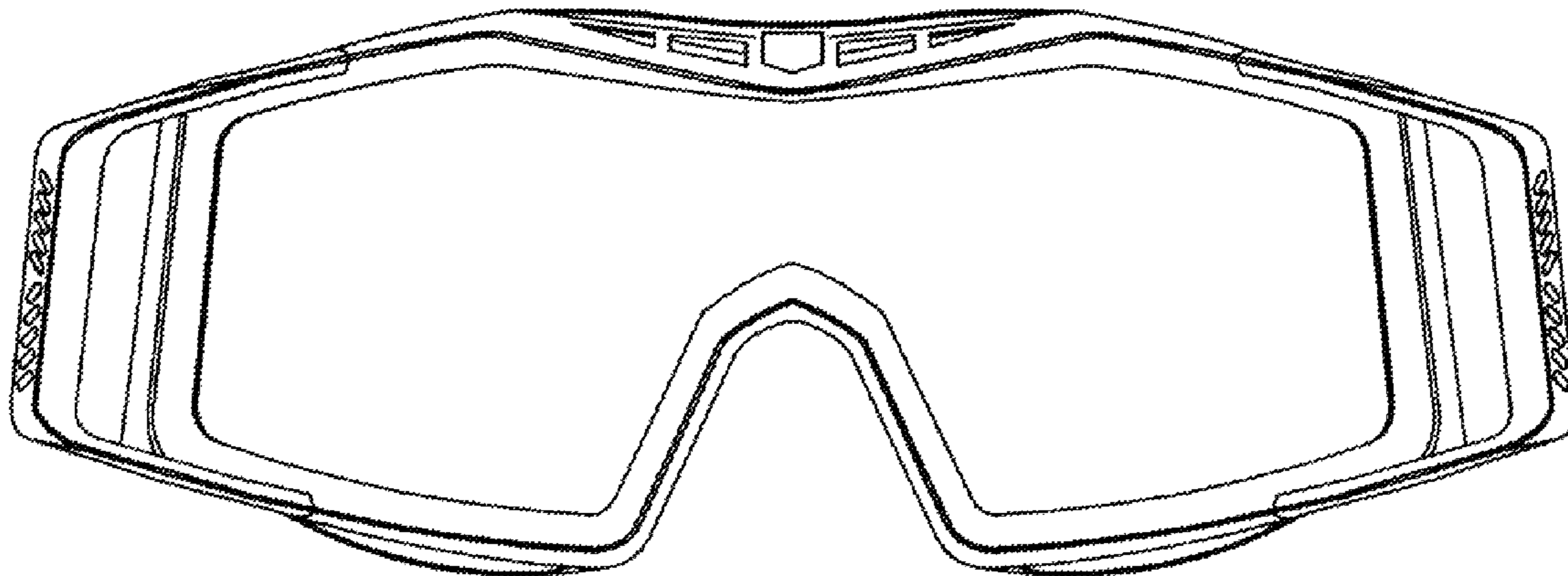
(57) **CLAIM**

The ornamental design for goggles, as shown and described.

**DESCRIPTION**

FIG. 1 is a front view of the goggles;  
FIG. 2 is a top view of the goggles;  
FIG. 3 is a rear view of the goggles;  
FIG. 4 is a bottom view of the goggles;  
FIG. 5 is a right side view of the goggles; and,  
FIG. 6 is a left side view of the goggles.

**1 Claim, 3 Drawing Sheets**



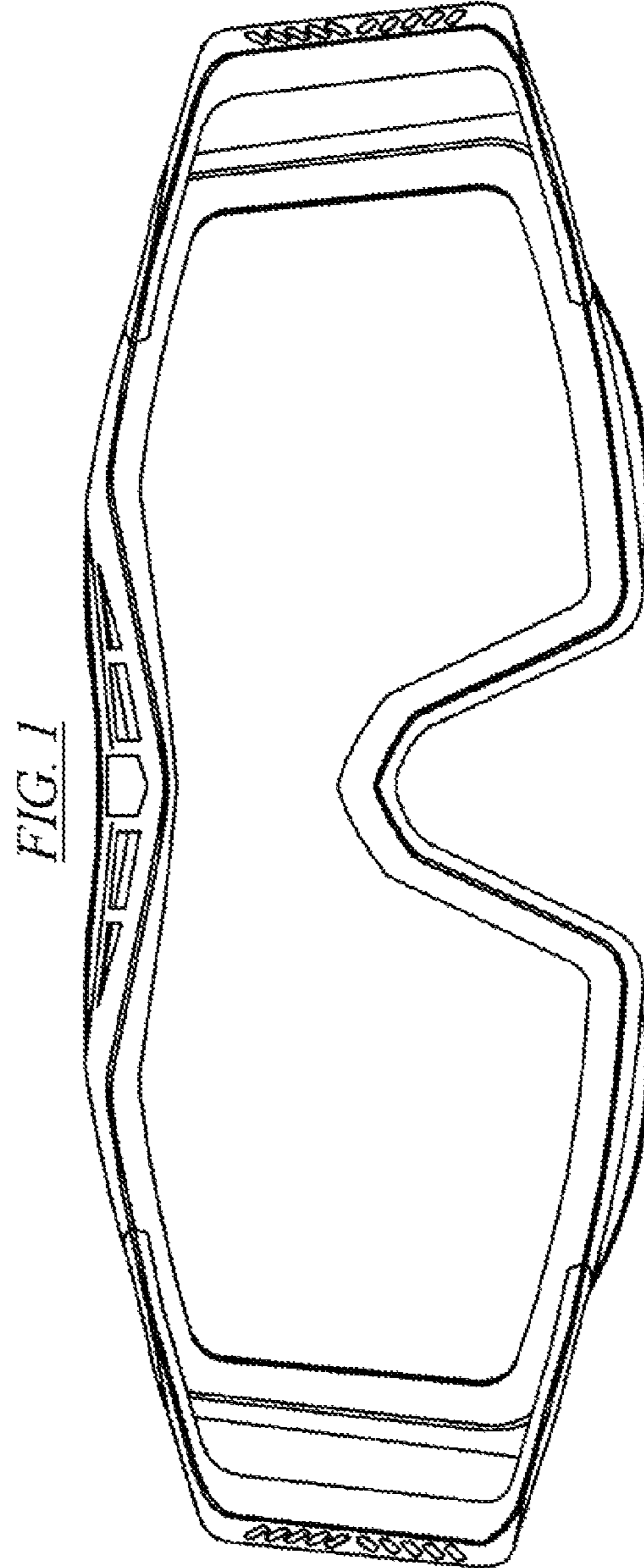
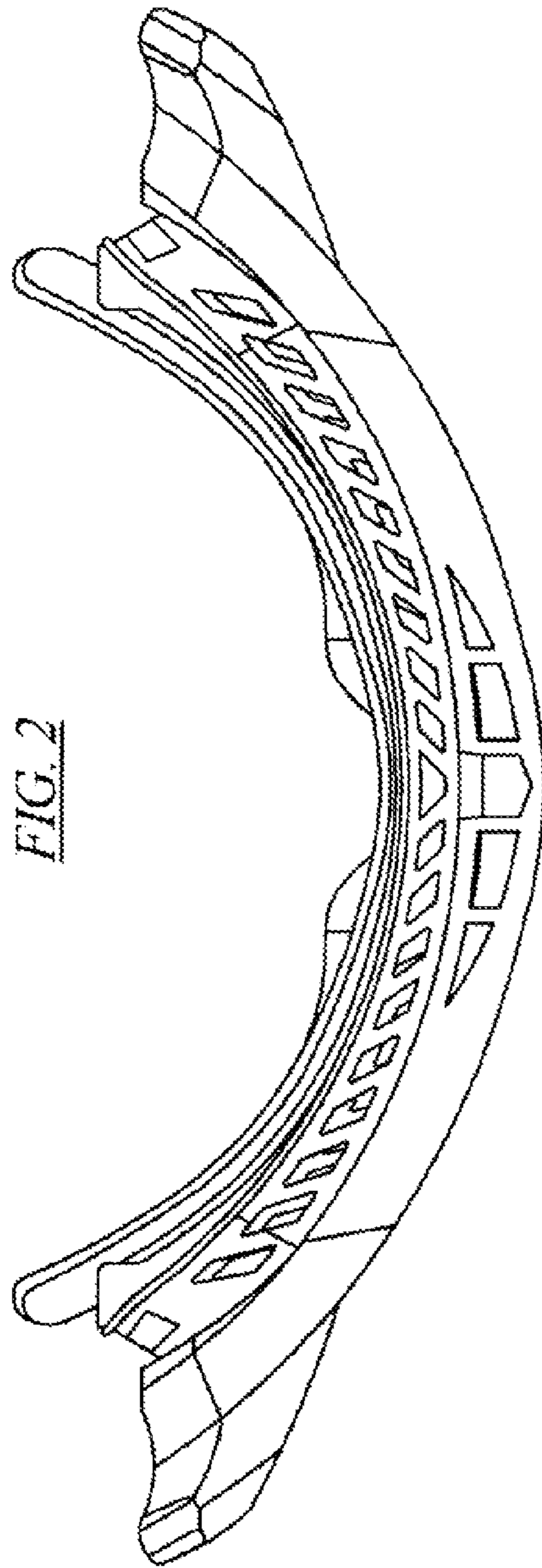


FIG. 3

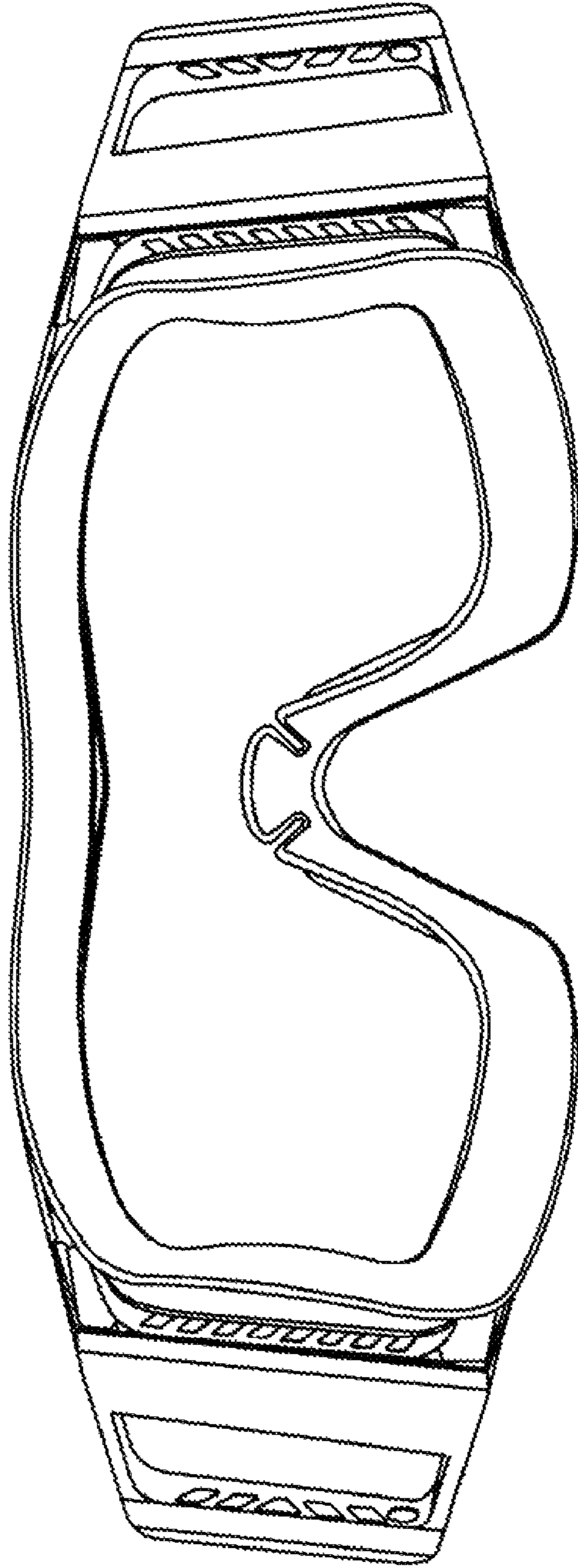


FIG. 4

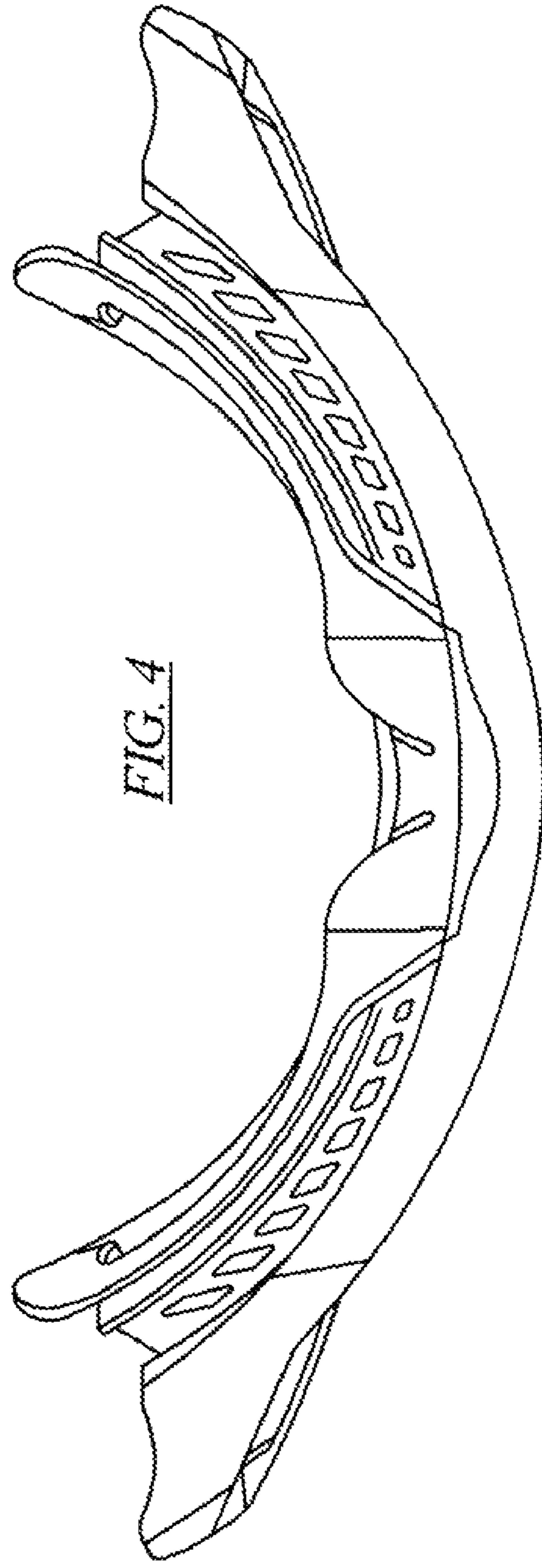


FIG. 6

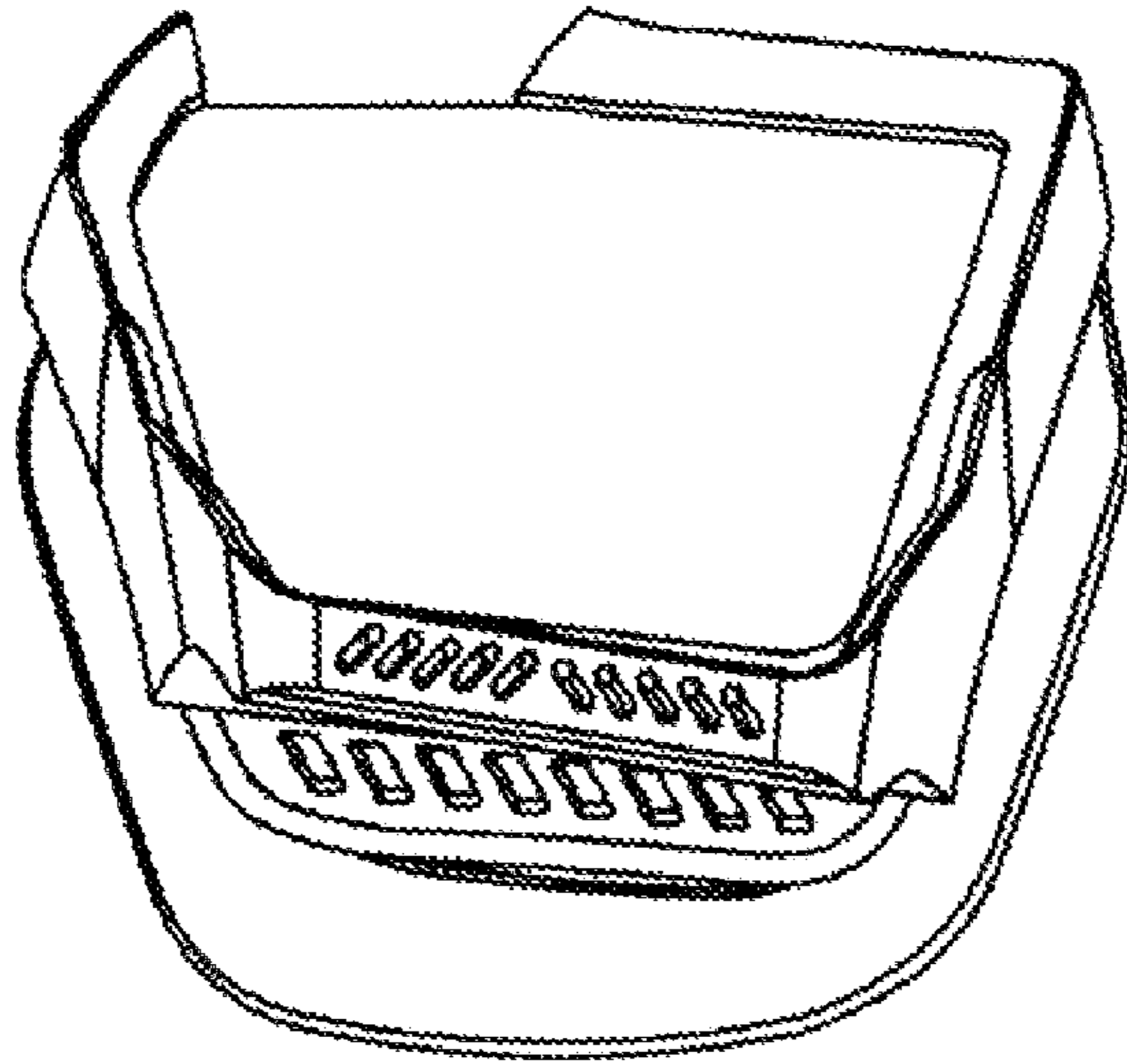


FIG. 5

