



US00D620966S

(12) **United States Design Patent**  
**Chin et al.**

(10) **Patent No.:** **US D620,966 S**  
(45) **Date of Patent:** **\*\* Aug. 3, 2010**

(54) **DIGITAL CAMERA**

(75) Inventors: **Byung-wook Chin**, Changwon (KR);  
**Suk-yeon Rim**, Changwon (KR)

(73) Assignee: **Samsung Electronics Co., Ltd.**,  
Suwon-si (KR)

(\*\*) Term: **14 Years**

(21) Appl. No.: **29/312,407**

(22) Filed: **Oct. 17, 2008**

(30) **Foreign Application Priority Data**

Apr. 18, 2008 (KR) ..... 30-2008-0016732

(51) **LOC (9) Cl.** ..... **16-05**

(52) **U.S. Cl.** ..... **D16/219; D16/202**

(58) **Field of Classification Search** ..... D16/200–206,  
D16/208, 218–219; D13/162, 162.1, 168;  
D14/393, 398, 401, 415, 417, 454; 348/373–376;  
358/906, 909.1; 396/6, 535–541, 448  
See application file for complete search history.

(56) **References Cited**

**U.S. PATENT DOCUMENTS**

6,788,894	B2 *	9/2004	Suzuki et al.	.....	348/373
D509,524	S *	9/2005	Watanabe	.....	D16/219
D522,554	S *	6/2006	Kim	.....	D16/202
D542,822	S *	5/2007	Senda	.....	D16/202
D565,074	S *	3/2008	Shimobayashi	.....	D16/219
D568,359	S *	5/2008	Tajima	.....	D16/202
D571,305	S *	6/2008	Thursfield	.....	D13/168
D573,168	S *	7/2008	Tajima	.....	D16/202
D576,648	S *	9/2008	Shimobayashi	.....	D16/202
D582,954	S *	12/2008	Imai	.....	D16/202
D594,892	S *	6/2009	Kamiya et al.	.....	D16/202

D597,578	S *	8/2009	Kim et al.	.....	D16/202
D597,579	S *	8/2009	Obata	.....	D16/218
D601,604	S *	10/2009	Kim	.....	D16/202
D604,348	S *	11/2009	Inaba	.....	D16/202
D605,675	S *	12/2009	Sakaguchi et al.	.....	D16/202
D607,847	S *	1/2010	Elliott et al.	.....	D13/168
D609,730	S *	2/2010	Nakamura	.....	D16/202

\* cited by examiner

*Primary Examiner*—Ian Simmons

*Assistant Examiner*—Wan Laymon

(74) *Attorney, Agent, or Firm*—Drinker Biddle & Reath LLP

(57) **CLAIM**

The ornamental design for a digital camera, as shown and described.

**DESCRIPTION**

FIG. 1 is a front perspective view of a digital camera showing our new design;

FIG. 2 is a front elevational view of the digital camera;

FIG. 3 is a rear elevational view of the digital camera;

FIG. 4 is a left side view of the digital camera;

FIG. 5 is a right side view of the digital camera;

FIG. 6 is a top plan view of the digital camera;

FIG. 7 is a bottom plan view of the digital camera;

FIG. 8 is a rear perspective view of the digital camera; and,

FIG. 9 is an enlarged fragmentary rear view of the digital camera taken along a line 9—9 in FIG. 3.

The even broken line showing portions of a digital camera is included for the purpose of illustrating environmental structure and forms no part of the claimed design.

**1 Claim, 7 Drawing Sheets**

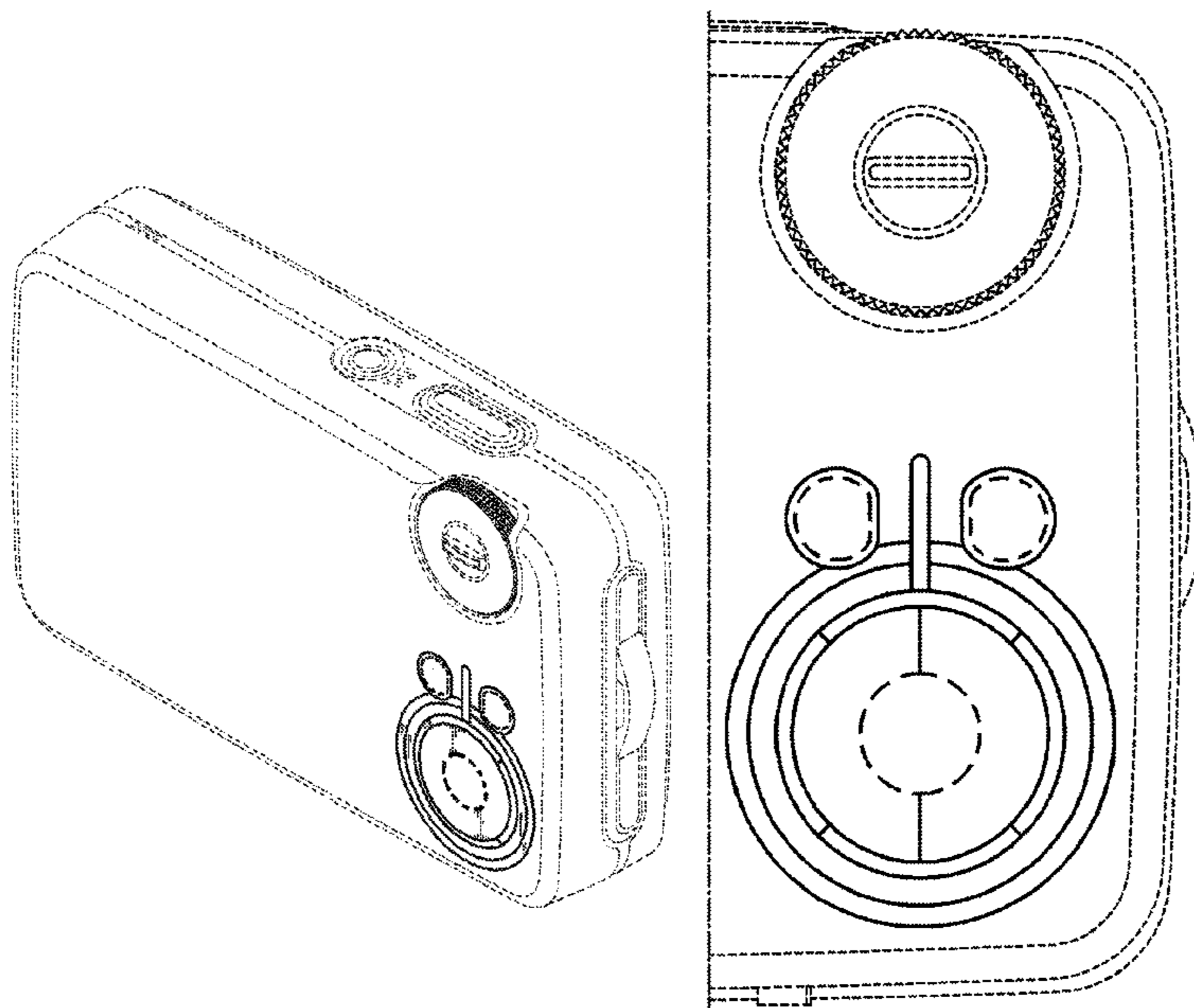


FIG. 1

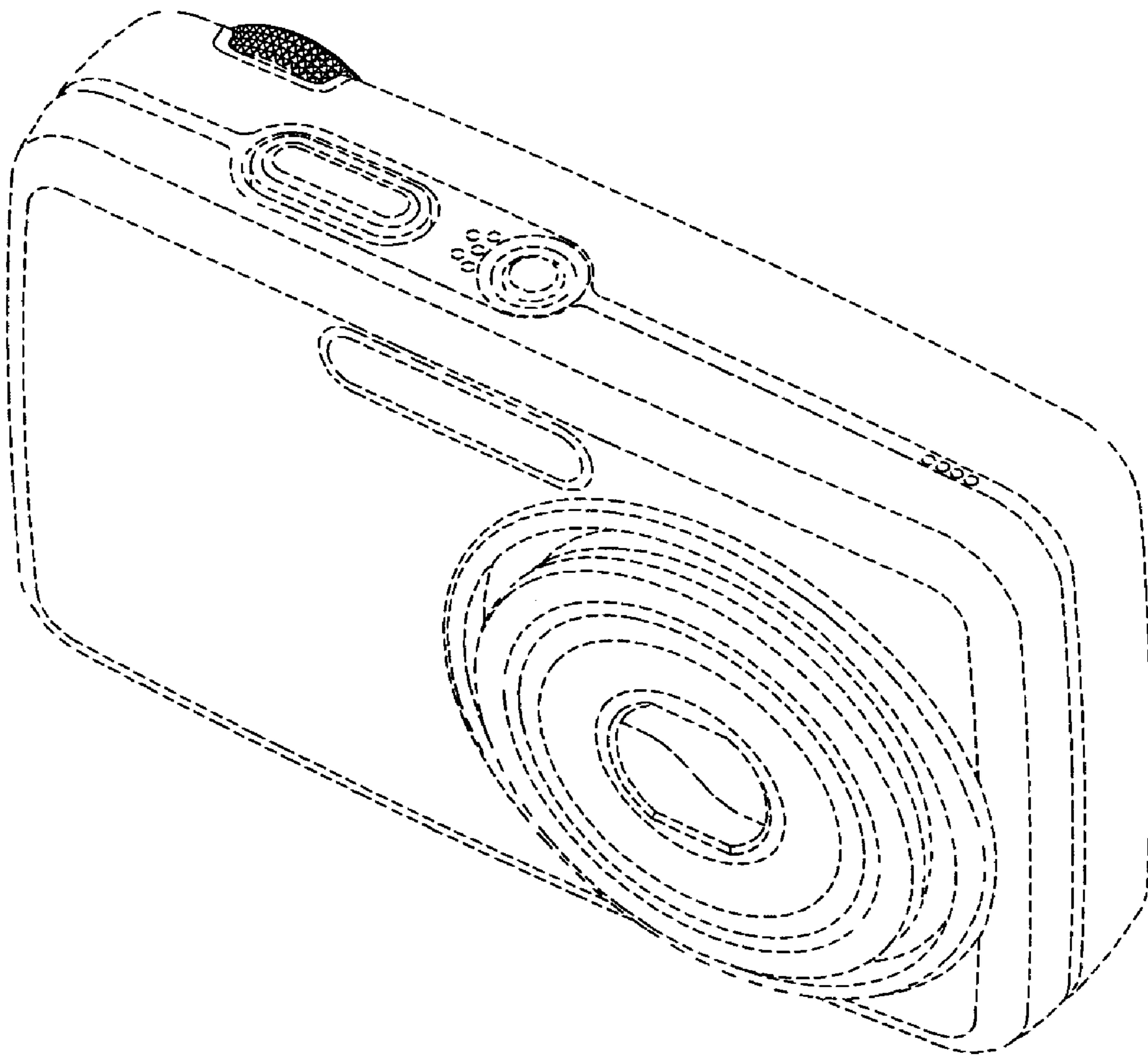


FIG. 2

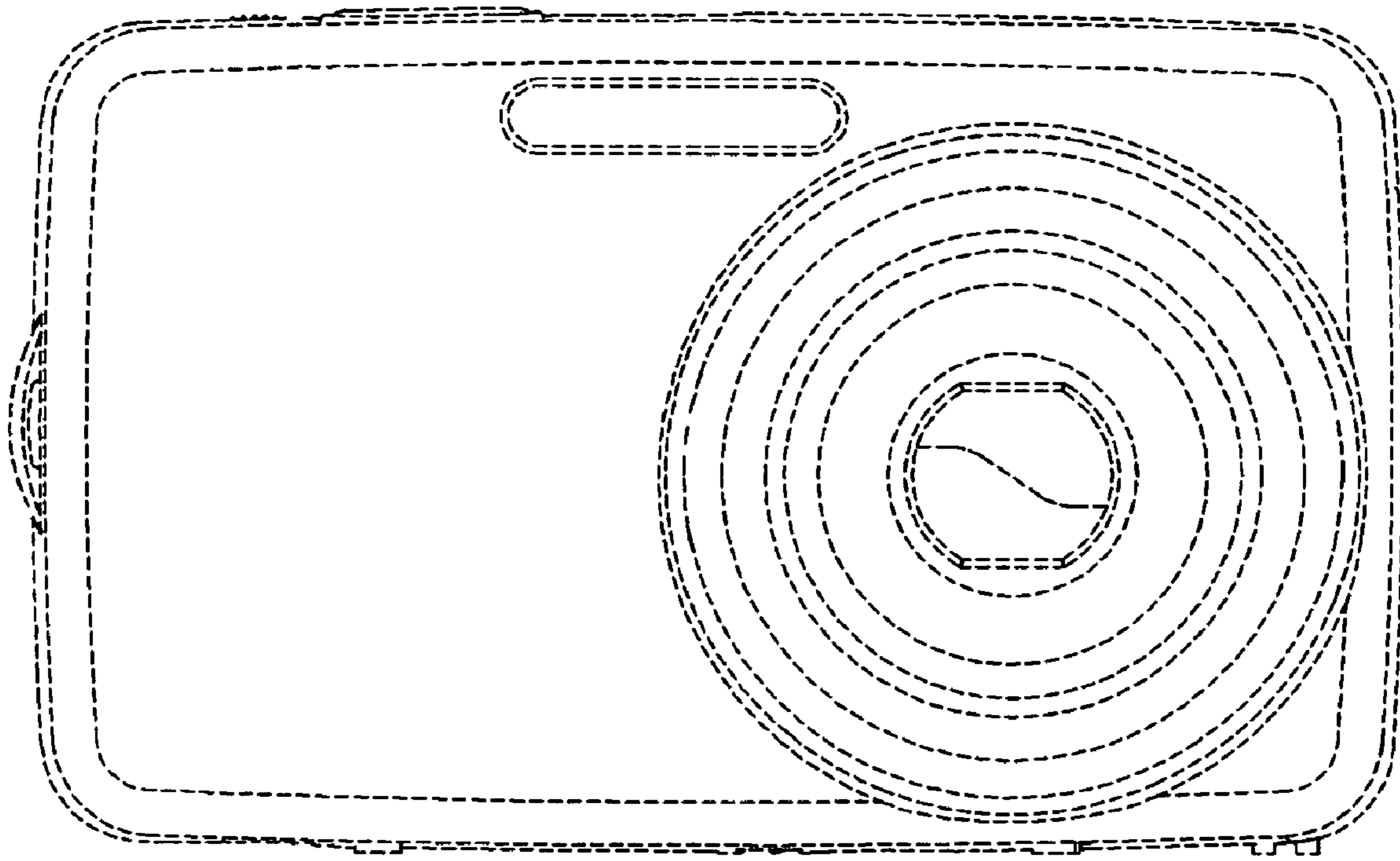


FIG. 3

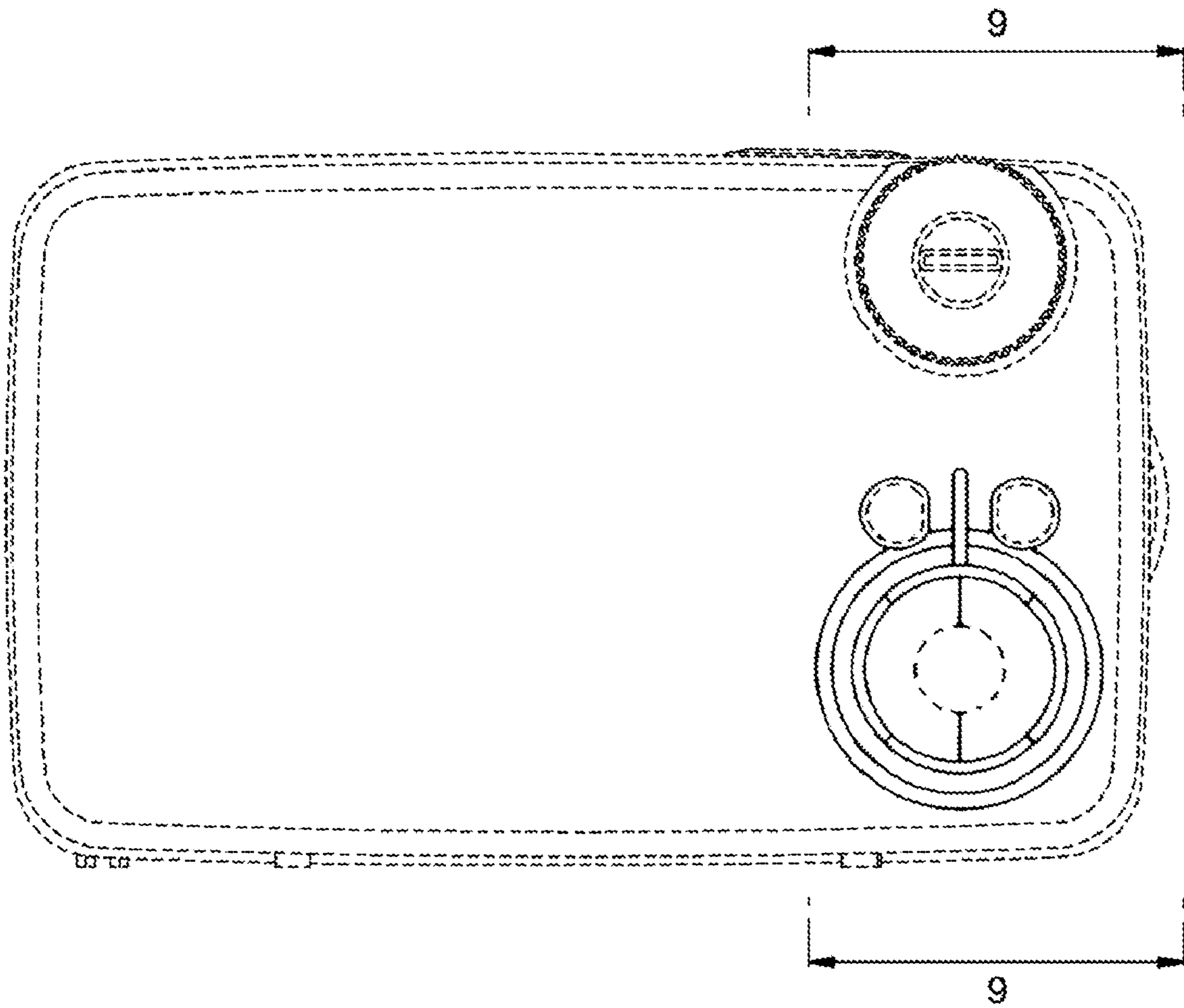


FIG. 4

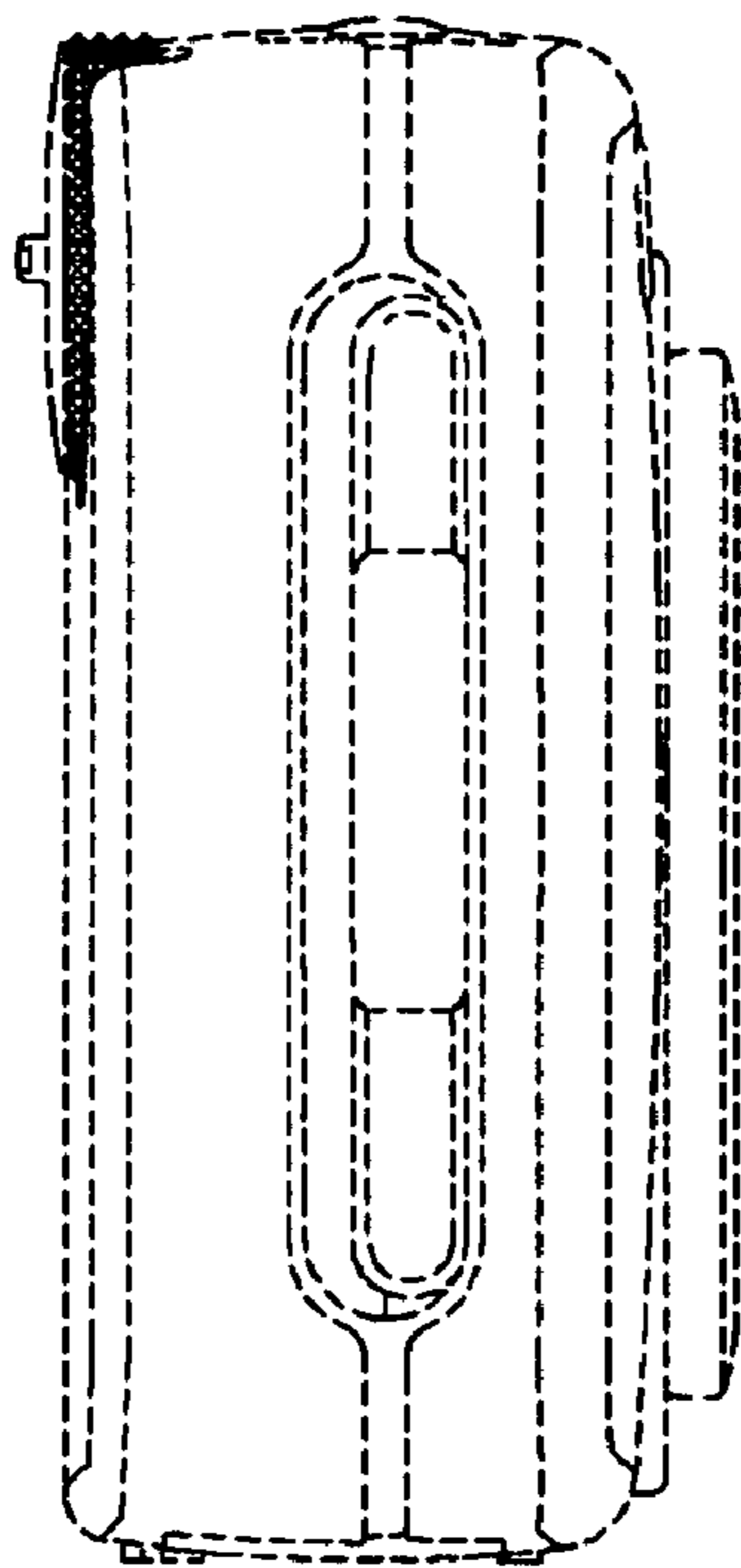


FIG. 5

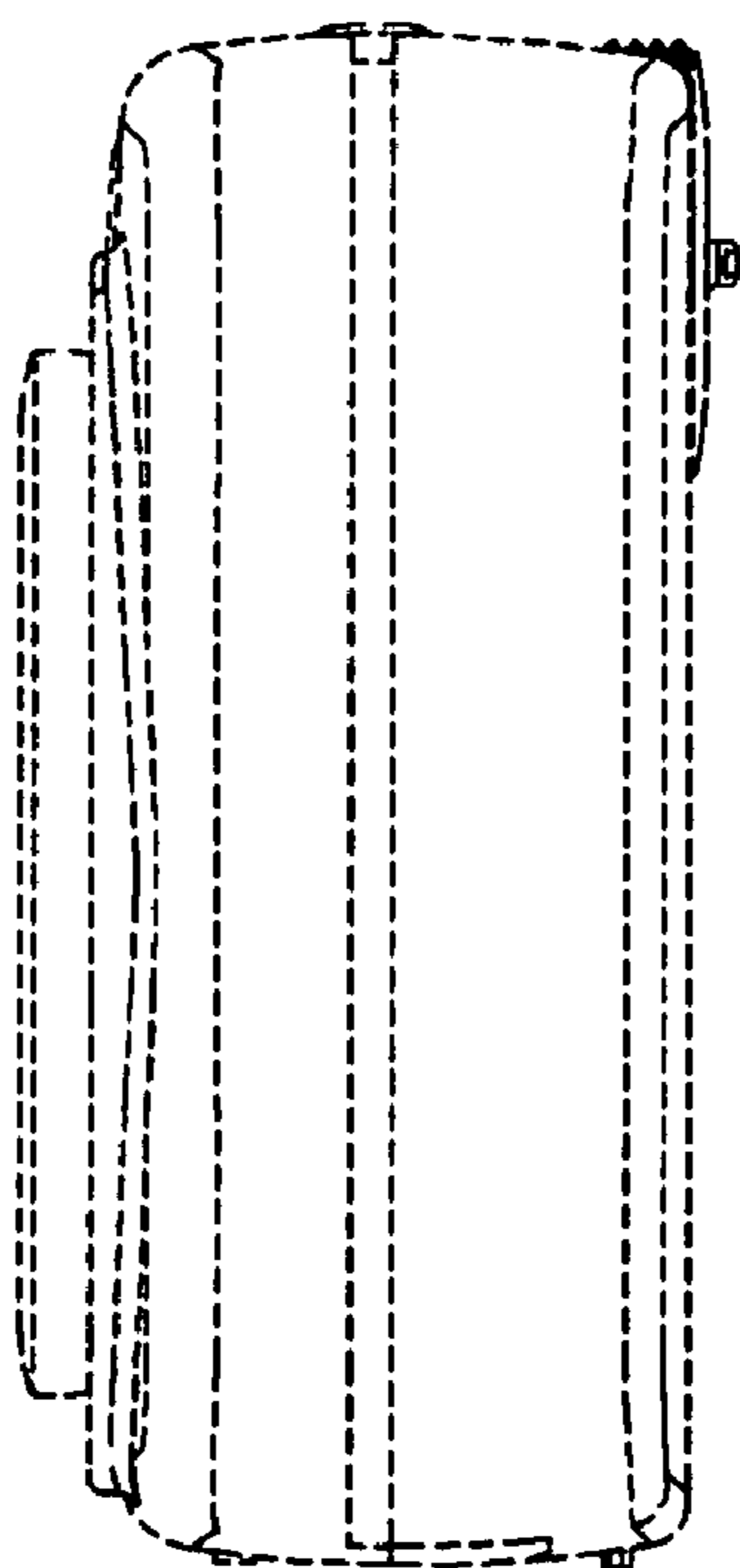


FIG. 6

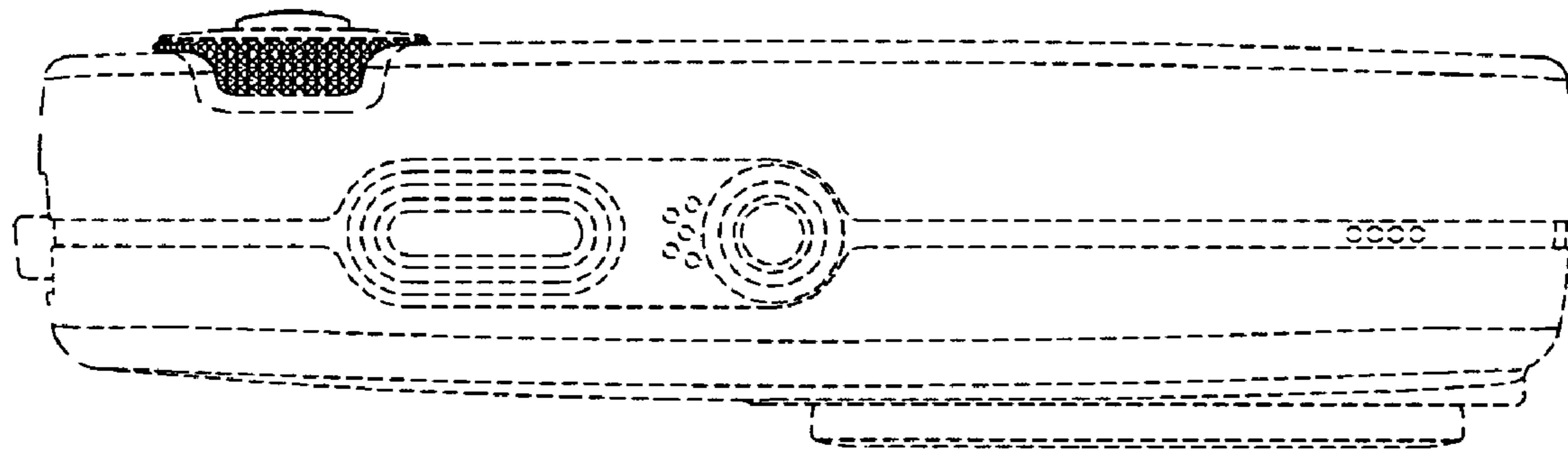


FIG. 7

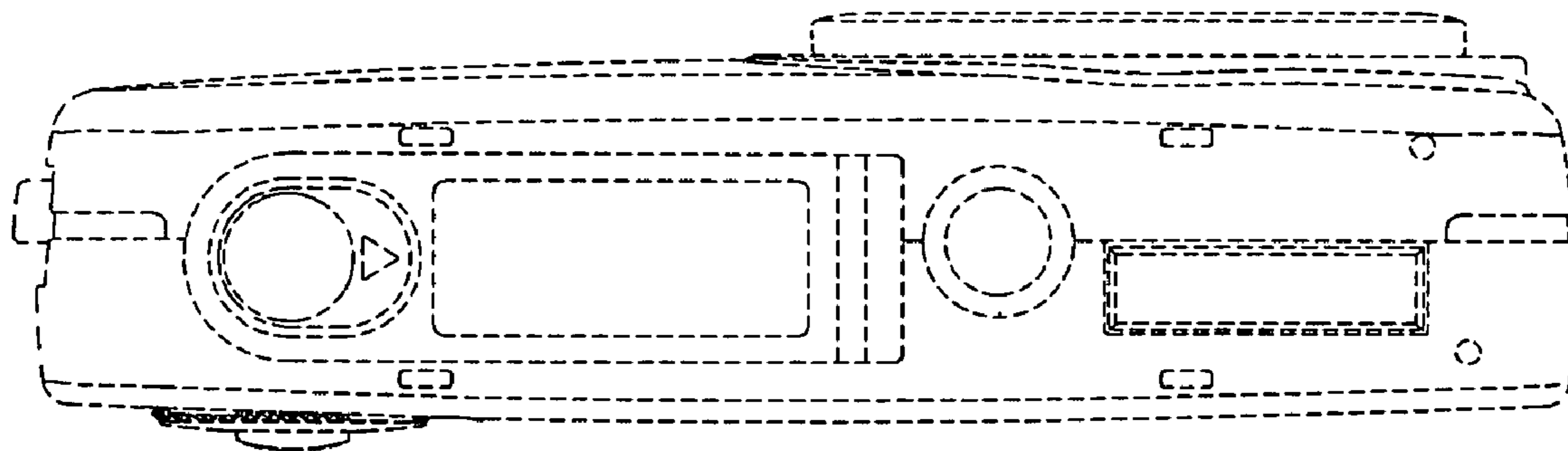


FIG. 8

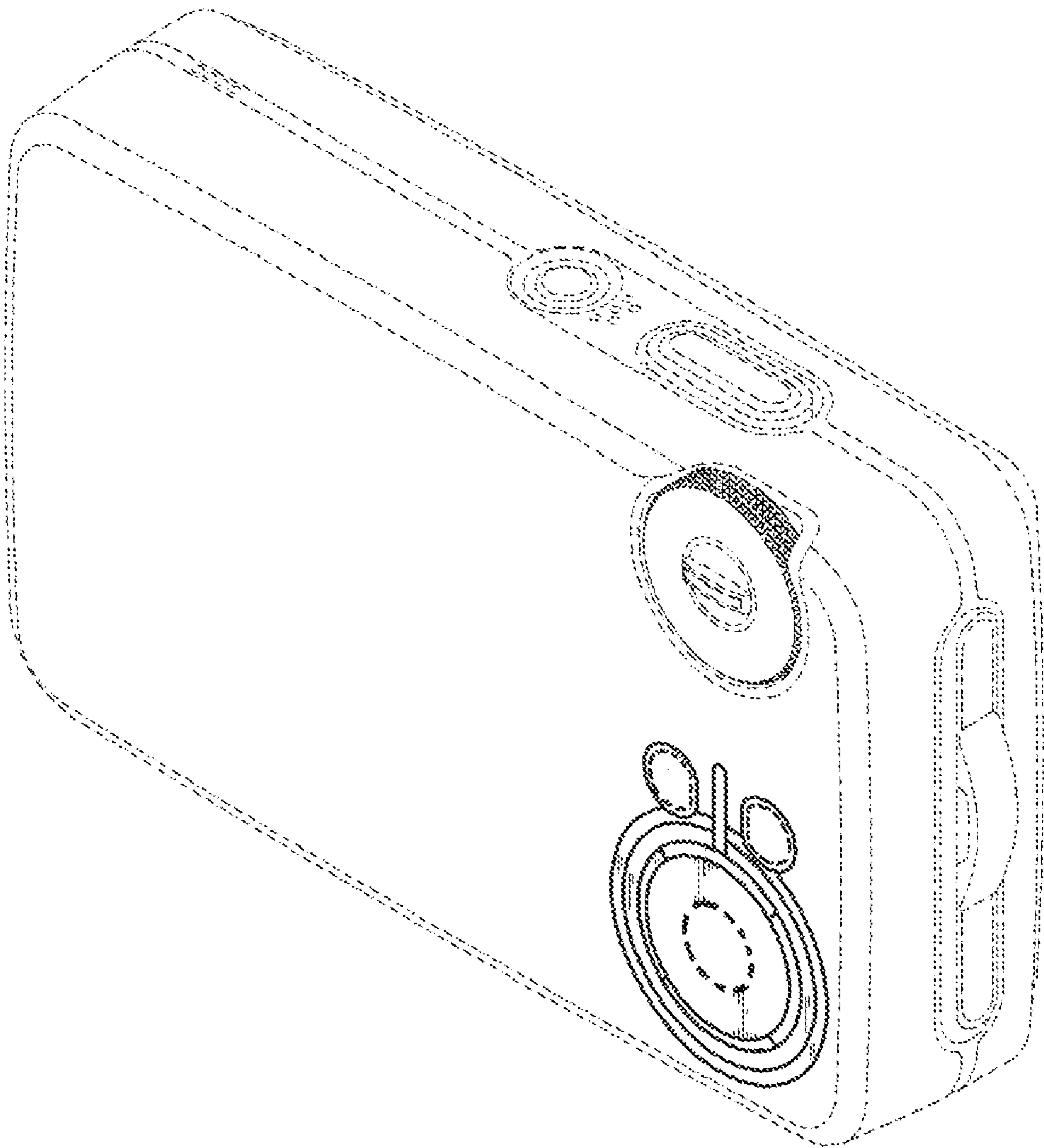


FIG. 9

